

# OPERATOR'S MANUAL

## Push Mower

English .....	Page 2
Spanish (Español) .....	Page 16
French (Français).....	Page 32

### Record Product Information

Before setting up and operating your new mower, please locate the model plate on the equipment and record the information in the provided area to the right. You can locate the model plate by standing at the operator's position and looking down at the rear of the deck. This information will be necessary, should you seek technical support via our web site, Customer Support Department, or with a local authorized service dealer.

#### Model Number

#### Serial Number

### ⚠ WARNING

Read and follow all safety rules and instructions in this manual before attempting to operate this machine.

Failure to comply with these instructions may result in personal injury - SAVE THESE INSTRUCTIONS.

### ⚠ WARNING

#### CALIFORNIA PROPOSITION 65

Engine Exhaust, some of its constituents, and certain vehicle components contain or emit chemicals known to State of California to cause cancer and birth defects or other reproductive harm.

**NOTE:** This Operator's Manual covers several models. Features may vary by model. Not all features in this manual are applicable to all models and the model depicted may differ from yours.



# SAFE OPERATION PRACTICES

## WARNING



This symbol points out important safety instructions which, if not followed, could endanger the personal safety and/or property of yourself and others. Read and follow all instructions in this manual before attempting to operate this machine. Failure to comply with these instructions may result in personal injury. When you see this symbol, **HEED ITS WARNING!**

## DANGER

This machine was built to be operated according to the safe operation practices in this manual. As with any type of power equipment, carelessness or error on the part of the operator can result in serious injury. This machine is capable of amputating fingers, hands, toes and feet and throwing debris. Failure to observe the following safety instructions could result in serious injury or death.

### GENERAL INFORMATION

1. Read, understand, and follow all instructions on the mower and in the manual(s) before attempting to assemble and operate. Keep this manual in a safe place for future and regular reference and for ordering replacement parts.
2. Be familiar with all controls and their proper operation.
3. Never allow children under 14 years of age to operate this mower. Children 14 and over should read and understand the instructions and safe operation practices in this manual and on the mower and should be trained and supervised by an adult.
4. Never allow adults to operate this mower without proper instruction.
5. Store mower in a dry, clean area. Do not store next to corrosive materials, such as fertilizer.
6. If situations occur which are not covered in this manual, use care and good judgment. Contact your customer service representative for assistance.
7. According to the U.S. Consumer Products Safety Commission (CPSC) and the U.S. Environmental Protection Agency (EPA), this product has an estimated useful life of seven (7) years, under ordinary use conditions. At the end of its useful life, have the product inspected annually to ensure all mechanical and safety systems are operating properly, safely, and are not worn excessively. Failure to do so may result in accident, injury, or death.
3. Be aware of the mower and attachment discharge direction and do not point the mower discharge at anyone.
4. Always wear safety glasses or safety goggles during operation and while performing an adjustment or repair to protect your eyes. Thrown objects which ricochet can cause serious injury to the eyes.
5. Wear sturdy, rough-soled work shoes and close-fitting slacks and shirts. Loose fitting clothes, jewelry and long hair can be caught in moving parts. Shirts and pants that cover the arms and legs and steel-toed shoes are recommended.
6. Never operate mower in bare feet, sandals, slippery or light-weight (e.g. canvas) shoes.
7. Never over fill fuel tank. Fill tank to no more than 1" (2.5 cm) below bottom of filler neck to allow space for fuel expansion.
8. Replace gasoline cap and tighten securely.
9. Use only accessories and attachments approved for this mower by the mower manufacturer. Read, understand and follow all instructions provided with the approved accessory or attachment.

### PREPARATION BEFORE OPERATING

1. Thoroughly inspect the area where the mower is to be used. Remove all stones, sticks, wire, bones, toys, and other foreign objects which could be tripped over or picked up and thrown by the blade(s). Thrown objects can cause serious personal injury.
2. To help avoid blade contact or a thrown object injury, stay in the operator zone behind the mower handles. Keep helpers at least 75 feet (23 meters) from the mower while it is in operation. Keep bystanders, children and pets inside while the mower is in operation. Stop mower if anyone enters the area.

### OPERATING

1. Data indicates that operators, age 65 years and above, are involved in a large percentage of mower-related injuries. These operators should evaluate their ability to operate the mower safely enough to protect themselves and others from serious injury.
2. Many injuries occur as a result of the mower being pulled over the foot during a fall caused by slipping or tripping. Do not hold on to the mower if you are losing your balance or footing; immediately release the handle.
3. Never pull the mower back toward you while you are walking. If you must back the mower away from a wall or obstruction first look down and behind to avoid tripping and then follow these steps:
  - a. Step back from mower to fully extend your arms.
  - b. Be sure you are well balanced with sure footing.
  - c. Pull the mower back slowly, no more than half way toward you.
  - d. Repeat these steps as needed.

# SAFE OPERATION PRACTICES

- Do not engage the drive control (if equipped) while starting engine.
- The blade control is a safety device. Never attempt to bypass its operation. Doing so makes the safety device inoperative and may result in personal injury through contact with the rotating blade. The blade control must operate freely in both directions and automatically return to the disengaged (off) position when released. The cutting blade continues to rotate for up to three seconds after the blade control is released. Never place any part of the body in the blade area until you are certain the blade has stopped rotating.
- If the mower should start to vibrate abnormally, stop the engine and check immediately for the cause. Vibration is generally a warning of trouble.
- Never operate mower without the proper trail shield, discharge cover, grass catcher, blade control or other safety protective devices in place and working. Never operate mower with damaged safety devices. Failure to do so can result in personal injury.
- When starting engine, pull cord slowly until resistance is felt, then pull rapidly. Rapid retraction of starter cord (kickback) will pull hand and arm toward engine faster than you can let go. Broken bones, fractures, bruises or sprains could result.
- Do not put hands or feet near rotating parts or under the cutting deck. Contact with the blade(s) can amputate hands and feet.
- Watch for holes, ruts, bumps, rocks, or other hidden objects. Uneven terrain or hidden objects could cause a slip and/or trip accident. Tall grass can hide obstacles.
- Your mower is designed to cut normal residential grass of a height no more than 7" (17.5 cm). Do not attempt to mow through unusually tall, dry grass (e.g., pasture) or piles of dry leaves.
- Plan your mowing pattern to avoid discharge of material toward roads, sidewalks, helpers and the like. Avoid discharging material against a wall or obstruction which may cause discharged material to ricochet back toward the operator.
- Shut the engine off and wait until the blade comes to a complete stop before removing the grass catcher or unclogging the chute. The cutting blade continues to rotate for up to three seconds after the blade control is released. Never place any part of the body in the blade area until you are certain the engine is off and the blade has stopped rotating.
- A missing or damaged discharge door, chute or mulch plug can cause blade contact or thrown object injuries.
- Do not operate the mower without the discharge door, chute, mulch plug or the entire grass catcher in its proper place.
- Stop the mower blade when crossing gravel drives, walks, or roads and while not cutting grass.
- Mow only in daylight or good artificial light.
- Do not operate the mower while under the influence of alcohol or drugs.
- The muffler and engine become very hot and can cause serious burn injuries. Do not touch. Allow the mower to cool for at least five minutes before storing or attempting any service.
- Never run an engine indoors or in a poorly ventilated area. Engine exhaust contains carbon monoxide, an odorless and deadly gas.

## CHILDREN

- Tragic accidents can occur if the operator is not alert to the presence of children. Children are often attracted to the mower and the mowing activity. They do not understand the dangers. Never assume that children will remain where you last saw them.
- Keep bystanders, children and pets inside while the mower is in operation under watchful care of a responsible adult other than the operator. Stop mower if anyone enters the area.
- Be alert and turn mower off if a child or bystander enters the area.
- Never allow children under 14 years of age to operate this mower. Children 14 and over should read and understand the instructions and safe operation practices in this manual and on the mower and should be trained and supervised by an adult.
- This mower is a precision piece of power equipment, not a plaything. Therefore, exercise extreme caution at all times. This mower has been designed to perform one job: to mow grass. Do not use it for any other purpose.
- Use extreme care when approaching blind corners, doorways, shrubs, trees or other objects that may block your vision of a child who may run into the path of the mower.
- Keep children away from hot or running engines. They can suffer burns from a hot engine or muffler.
- If your mower is equipped with an Electric Start Push Key, remove the key when the mower is unattended to prevent unauthorized operation. Make certain the key is inaccessible to small children.

## SLOPE OPERATION FOR WALK-BEHIND MOWERS

- Slopes are a major factor related to slip and fall accidents which can result in severe injury or death. All slopes require extra caution. If you feel uneasy on the slope, do not mow it.
- For your safety, measure any slope before using the mower on the sloped area. Use a slope measuring device in addition to the slope gauge included as part of this manual to measure slopes before operating this mower on a sloped or hilly area. Smart phone applications can be also utilized to measure slopes. If the slope is greater than 15 degrees (25%) as shown on the slope gauge or a slope measuring device, do not operate this mower on that area or serious injury could result.
- Do not mow on slopes greater than 15 degrees (25%).

# SAFE OPERATION PRACTICES

4. Only mow across slopes, never mow up and down slopes.
5. The mower may speed up when turning downhill, always turn uphill. Maintain control of the mower at all times.
6. Do not mow on wet grass. Unstable footing could cause slipping.
7. Do not operate the mower under any conditions where traction or stability is in question. Always be sure of your footing. A slip and fall can cause serious personal injury. If you feel you are losing your balance or footing, release the blade control handle immediately and the blade will stop rotating within three (3) seconds.
8. Stay at least 3 feet (1 meter) from drop-offs, ditches, embankments or the edge of water. You could lose your balance or footing.

## FIRE & FUEL

1. To avoid personal injury or property damage use extreme care in handling gasoline. **Gasoline is extremely flammable and the vapors are explosive.** Serious personal injury can occur when gasoline is spilled on yourself or your clothes which can ignite. Wash your skin and change clothes immediately.
2. Extinguish all cigarettes, cigars, pipes and other sources of ignition.
3. Only use an approved portable fuel (gasoline) container. Use only containers certified by EPA, CARB, and/or OSHA.
4. Never remove gas cap or add fuel while the engine is hot or running. Allow engine to cool at least five minutes before refueling.
5. Never fuel the mower indoors.
6. Never store the mower or fuel container inside where there is an open flame, spark or pilot light as on a water heater, space heater, furnace, clothes dryer or other gas appliances.
7. If fuel is spilled, wipe it off the engine and mower. Clean up oil or fuel spillage and remove any fuel soaked debris. Move the mower to another area. Wait at least 5 minutes before starting the engine.
8. To reduce fire hazards, keep mower free of grass, leaves, or other debris build-up. Follow the instructions in the Service and Maintenance section to keep your mower free of debris.
9. Never over fill fuel tank. Fill tank to no more than 1" (25mm) below bottom of filler neck to allow space for fuel expansion.
10. Replace gas cap and tighten securely.
11. Allow a mower to cool at least five minutes before fueling or storing.
12. Never fill containers inside a vehicle or on a truck or trailer bed with a plastic liner. Always place containers on the ground away from your vehicle before filling.
13. When practical, remove gas-powered equipment from the truck or trailer and refuel it on the ground. If this is not possible, then refuel such equipment on a trailer with a portable container, rather than from a gasoline dispenser nozzle.
14. Keep the nozzle in contact with the rim of the fuel tank or container opening at all times until fueling is complete. Do not use a nozzle lock-open device.

## SERVICE

1. Keep the mower in good working order. Replace worn or damaged parts.
2. To avoid serious injury or death, do not modify engine in any way. Tampering with the governor setting can lead to a runaway engine and cause it to operate at unsafe speeds. Never tamper with factory setting of engine governor. Do not change the engine governor settings or over-speed the engine. The governor controls the maximum safe operating speed of the engine.
3. Mower blades are sharp. Wrap the blade or wear gloves, and use extra caution when servicing them.
4. Before cleaning, repairing, or inspecting, make certain the blade and all moving parts have stopped. Disconnect the spark plug wire and ground against the engine to prevent unintended starting.
5. Ensure the blade comes to a complete stop within (3) three seconds after operating the blade control. If the blade does not stop in less than three seconds, your mower must be serviced professionally by an authorized service dealer. Check for proper operation per the Service and Maintenance section.
6. Regularly check the safety interlock system for proper function, as described later in this manual. If the safety interlock system does not function properly, have your mower serviced professionally by an authorized service dealer.
7. Never tamper with the blade control safety interlock or other safety devices. Check for proper operation per the Service and Maintenance section.
8. Check the mower blade and engine mounting bolt torque in accordance to the Service and Maintenance section in this manual. Also, visually inspect blade for damage (e.g., excessive wear, bent, cracked). Replace the blade with the original equipment manufacturer's (O.E.M.) blade only.
9. Use of service parts which do not meet the original equipment specifications may lead to improper performance and compromise safety.
10. Keep all nuts, bolts, and screws tight to be sure the equipment is in safe working condition. Check all hardware for tightness per the Service and Maintenance section.

# SAFE OPERATION PRACTICES

11. After striking a foreign object, stop the engine, disconnect the spark plug wire(s) and ground against the engine. Thoroughly inspect the mower for any damage. Repair the damage before starting and operating.
12. Never attempt to make wheel cutting height adjustments or repairs to the mower while the engine is running.
13. Grass catcher components and the discharge cover are subject to wear and damage which could expose moving parts or allow objects to be thrown. For safety protection, frequently check components and replace immediately with original equipment manufacturer's (O.E.M.) parts only. "Use of parts which do not meet the original equipment specifications may lead to improper performance and compromise safety."
14. Maintain or replace safety and instruction labels, as necessary.
15. Observe proper disposal laws and regulations for gas, oil, etc. to protect the environment.

## NOTICE REGARDING EMISSIONS

**Engines which are certified to comply with California and federal EPA emission regulations for SORE (Small Off Road Equipment) are certified to operate on regular unleaded gasoline, and may include the following emission control systems: Engine Modification (EM) and Three Way Catalyst (TWC) if so equipped.**

**When required, models are equipped with low permeation fuel lines and fuel tanks for evaporative emission control. California models may also include a carbon canister. Please contact Customer Support for information regarding the evaporative emission control configuration for your model.**

## SPARK ARRESTOR

### WARNING

This mower is equipped with an internal combustion engine and should not be used on or near any unimproved forest-covered, brush-covered or grass-covered land unless the engine's exhaust system is equipped with a spark arrestor meeting applicable local or state laws (if any).

**If a spark arrestor is used, it should be maintained in effective working order by the operator. In the State of California the above is required by law (Section 4442 of the California Public Resources Code). Other states may have similar laws. Federal laws apply on federal lands.**

**A spark arrestor for the muffler is available through your nearest engine authorized service dealer or contact the service department, P.O. Box 361131 Cleveland, Ohio 44136-0019.**

## SLOPE GAUGE (BACK COVER)

### WARNING








Slopes are a major factor related to slip and fall accidents which can result in severe injury or death. All slopes require extra caution. If you feel uneasy on the slope, do not mow it. Do not mow on slopes greater than 15 degrees (25%). Only mow across slopes, never mow up and down slopes.

**USE THE SLOPE GAUGE ON THE BACK COVER AS SHOWN TO DETERMINE IF A SLOPE IS TOO STEEP FOR SAFE OPERATION! To check the slope, proceed as follows:**

1. Open manual to page and fold along the dashed line.
2. Locate a vertical object on or behind the slope (e.g. a pole, building, fence, tree, etc.)
3. Align either side of the slope gauge with the object.
4. Adjust gauge up or down until the left corner touches the slope.
5. If there is a gap below the gauge, the slope is too steep for safe operation.

# SAFETY SYMBOLS

This page depicts and describes safety symbols that may appear on this mower. Read, understand, and follow all instructions on the mower before attempting to assemble and operate.

Symbol	Description
	<b>WARNING — READ THE OPERATOR'S MANUAL(S)</b> Read, understand and follow all the safety rules and instructions in the manual(s) and on the mower before attempting to operate this mower. Failure to comply with this information may result in personal injury or death. Keep this manual in a safe location for future and regular reference.
	<b>DANGER — AVOID AMPUTATION INJURY</b> Do not put hands or feet near or under the cutting deck. Contact with the blade can amputate hands and feet.
	<b>DANGER — AVOID CHILD RUNOVER/BLADE INJURY</b> Do not mow when children or others are around. To help avoid blade contact or a thrown object injury, stay in the operator zone behind the mower handles. Keep helpers at least 75 feet (23 meters) from the mower while it is in operation. Keep bystanders, children and pets inside while the mower is in operation. Stop mower if anyone enters the area.
	<b>DANGER — AVOID THROWN OBJECT INJURY</b> Keep helpers at least 75' (23 meters) from mower during operation. Remove all stones, sticks, wire, bones, toys, and other foreign objects which could be picked up and thrown by the blade(s). Do not operate the mower without the discharge cover or entire grass catcher in its proper place.
	<b>DANGER — AVOID SLIP AND FALL ON SLOPES</b> Slopes are a major factor related to slip and fall accidents which can result in severe injury or death. All slopes require extra caution. If you feel uneasy on the slope, do not mow it. Do not mow on slopes greater than 15 degrees (25%). Only mow across slopes, never mow up and down slopes.
	<b>WARNING—GASOLINE IS FLAMMABLE</b> Allow the engine to cool at least five minutes before refueling.
	<b>WARNING— AVOID BURN INJURY</b> The muffler and engine become very hot and can cause serious burn injuries. Do not touch. Allow the mower to cool for at least five minutes before storing or attempting any service.

## **WARNING**

**Your Responsibility**—Restrict the use of this power machine to persons who read, understand and follow the warnings and instructions in this manual and on the machine - **SAVE THESE INSTRUCTIONS!**

# ASSEMBLY

**IMPORTANT:** This mower is shipped without gasoline or oil in the engine. Be certain to service engine with gasoline and oil as instructed in the Operation section of the Engine Operator's Manual before starting or operating your mower.

**NOTE:** Reference to right and left hand side of the Lawn Mower is observed from the operating position.

## Unpacking

### OPENING CARTON

1. Cut each corner of the carton vertically from top to bottom.
2. Remove all loose parts:
  - Grass Catcher (if equipped)
  - Engine Oil
3. Remove loose packing material.

### REMOVING MOWER FROM CARTON

1. Lift mower from the rear to detach it from underlying carton material and roll mower out of carton.
2. Check carton thoroughly for any other loose parts.

## Mower Assembly

Perform the following Procedures to assemble and set up the mower:

### • Handle Assembly

- Pull-Out Handle. See page 7.
- Vertical Storage Handle. See page 8.

### • Recoil starter Rope Handle Assembly

- Attaching the Grass Catcher (if equipped)
- Attaching Side Discharge Cover (if equipped)

**NOTE:** If necessary, refer to the procedures in the Adjustments Section after assembling the mower.

## Handle Assembly

### PULL-OUT HANDLE

1. Remove any packing material which may be between upper and lower handles.
2. Remove knobs or wing nuts and carriage bolts from the handle (Figure 1). Do not loosen or remove adjacent hex head screws.

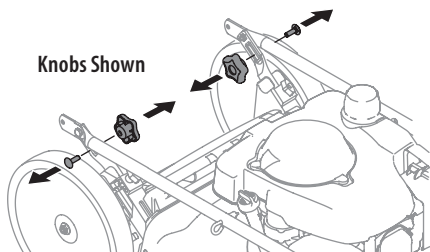


Figure 1

3. While stabilizing mower so it doesn't move, pivot upper handle up (Figure 2). Do not crimp blade control cable while lifting the handle up.

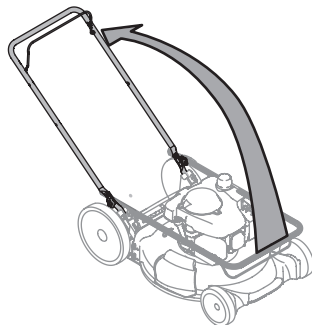


Figure 2

4. Remove T-bolts from the handle brackets (Figure 3).

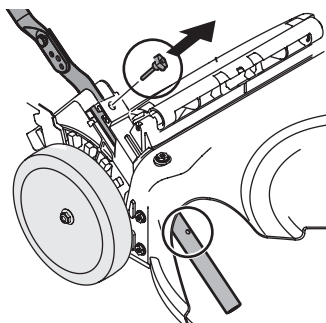


Figure 3

5. Pull upward on the handle (Figure 4) until holes in lower handle line up with holes in handle brackets (Figure 3 deck cutaway).

**NOTE:** When pulling upward on handle, do not pull handle all the way out of the handle brackets.

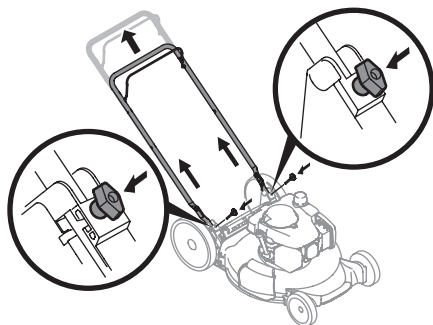


Figure 4

# ASSEMBLY

6. Insert the T-bolts removed in STEP 4 through the handle brackets and lower handle (Figure 4) and tighten securely to secure the handle in place.
7. Reattach knobs or wing nuts and carriage bolts removed in STEP 2 into lower holes of the handle (Figure 5).

## Knobs Shown

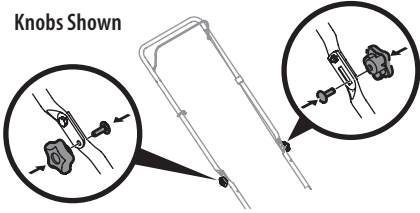


Figure 5

## VERTICAL STORAGE HANDLE

1. Remove the four carriage bolts and nuts from the lower handles (Figure 6).

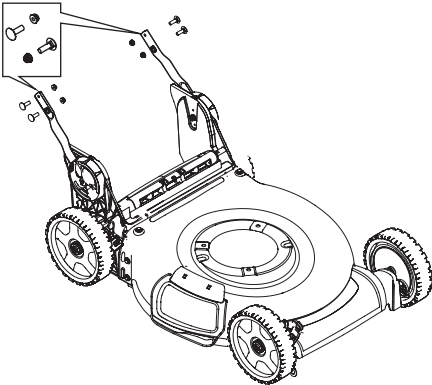


Figure 6

2. Unlock the two handle release levers. See inset, Figure 7.
3. Ensure the lower handles are folded forward towards the front of the mower.

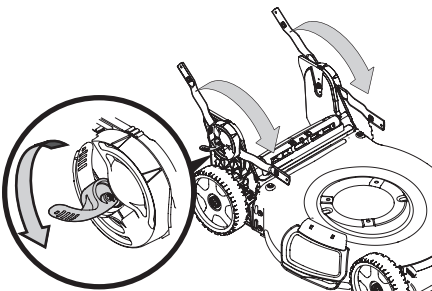


Figure 7

4. Using the four carriage bolts and nuts removed in STEP 2, secure the upper handle to the lower handle. Tighten hardware securely to secure the handle in place.

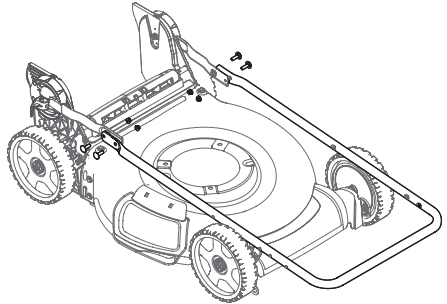


Figure 8

5. While stabilizing mower so it doesn't move, lift the upper handle up (a) (Figure 9). Do not crimp blade control cable while lifting the handle up.
6. When lifting the upper handle ensure the position indicator (b) aligns with one of three handle positions (c). See inset, Figure 9.
7. Lock the two handle release levers. See inset, Figure 9.
8. Ensure all hardware is securely tightened.

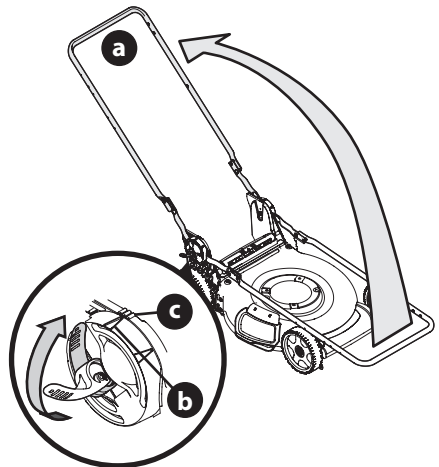


Figure 9



# ASSEMBLY

## Recoil Starter Rope Handle Assembly

**NOTE:** The rope guide is attached to the right side of the upper handle. Loosen the knob securing the rope guide (Figure 10).

**NOTE:** Vertical Storage Mowers Only: The recoil starter rope is equipped with a rope stop clamp to prevent the starter rope being pulled into the engine. Do not remove the rope stop clamp.

1. Hold blade control against upper handle.
2. Slowly pull recoil starter rope handle from engine and slip starter rope into the rope guide.
3. Tighten rope guide knob.

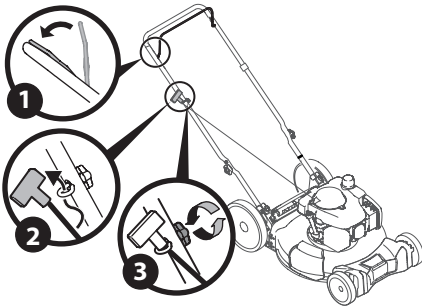


Figure 10

## Attaching the Grass Catcher (if equipped)

1. Perform the following to assemble the grass catcher (Figure 11).

**NOTE:** Before assembling the grass catcher, ensure the grass bag is turned right side out, with the warning label showing on the outside.

- a. Place bag over frame so that its black plastic side is at the bottom.
- b. Slip plastic channels (a) of grass bag over the frame (b).

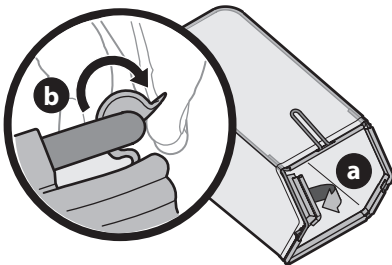


Figure 11

2. Follow steps below to attach grass catcher (Figure 12).
  - a. Lift mower rear discharge door (a).
  - b. Place grass catcher into the slots in the handle brackets (b). Lower the discharge door so that it rests on the grass catcher.

**NOTE:** To remove grass catcher reverse STEP 2. Lift mower rear discharge door. Lift grass catcher up and off the slots in the handle brackets and lower the rear discharge door.

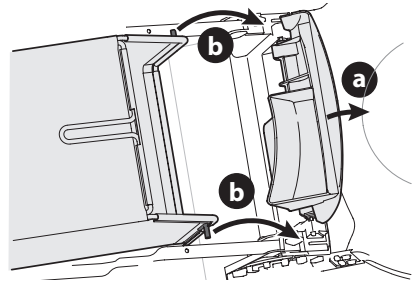


Figure 12

## Attaching Side Discharge Cover (if equipped)

The mower is shipped as a mulcher. To convert to side discharge, ensure the grass catcher is removed and the rear discharge door is closed.

1. Lift the side mulch cover (Figure 13).
2. Slide the two hooks of the side discharge cover under the mulch cover hinge pin. Lower the side mulch cover.

**IMPORTANT:** Do not remove side mulch cover at any time.

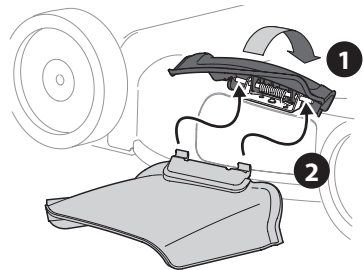


Figure 13

**NOTE:** Some side discharge chutes include a clip to secure the discharge chute to the handle. If equipped, the side discharge chute can be secured to the handle when not in use (Figure 14).

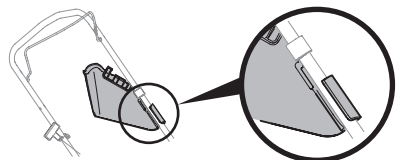


Figure 14

# ADJUSTMENTS

## Cutting Height Adjustment

There are two cutting height adjustment configurations. Refer to the section applicable to your mower.

### SINGLE LEVER (IF EQUIPPED)

The single lever cutting height adjustment is located above the rear left wheel (Figure 15).

1. Carefully pull the height adjustment lever outward towards wheel (mower will tend to fall when lever is moved outward).
2. Move lever to desired position for a change in cutting height.
3. Release lever towards deck.

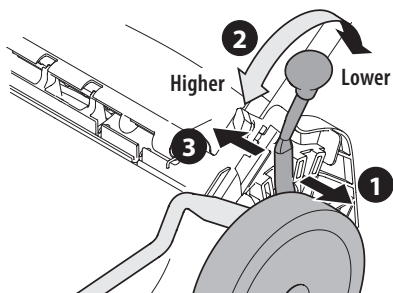


Figure 15

### DUAL LEVER (IF EQUIPPED)

The dual lever cutting height adjustment levers are located above the front and rear right wheel (Figure 16).

1. Carefully pull the height adjustment lever outward towards wheel (mower will tend to fall when lever is moved outward).
- NOTE:** The front and rear height adjustment levers move in the opposite direction to adjust.
2. Move lever to desired position for a change in cutting height.
  3. Release lever towards deck.

**IMPORTANT:** To avoid uneven cutting, all wheels must be placed in the same cutting height position. For rough or uneven lawns, move each height adjustment lever to a higher position. This will prevent you from cutting the grass too close to the ground.

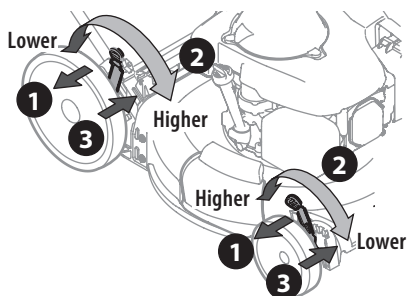


Figure 16

## Handle Pitch Adjustment (If Equipped)

For convenience of operation, you may adjust the pitch of the handle. Perform one of the following.

### PULL-OUT HANDLES

1. Remove two knobs or wing nuts and carriage bolts from handle (Figure 17).
2. Position the handle in one of the three positions that is most comfortable. See inset, Figure 17.
3. Secure into position with two knobs or wing nuts and carriage bolts removed in STEP 1.

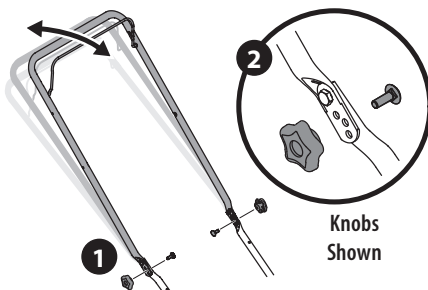


Figure 17

### VERTICAL STORAGE HANDLES

1. Unlock the two handle release levers. See inset, Figure 18.
2. Move the upper handle (a) to align the position indicator (b) with the most comfortable of the three handle positions (c).
3. Lock the two handle release levers. See inset, Figure 18.

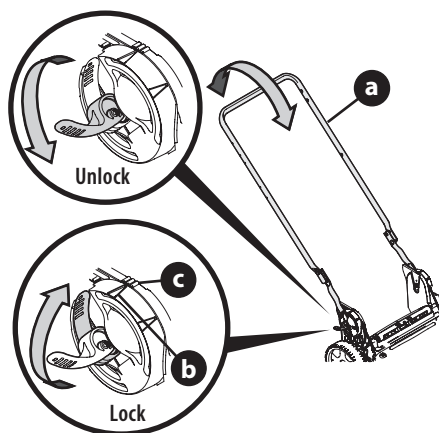


Figure 18

# OPERATION

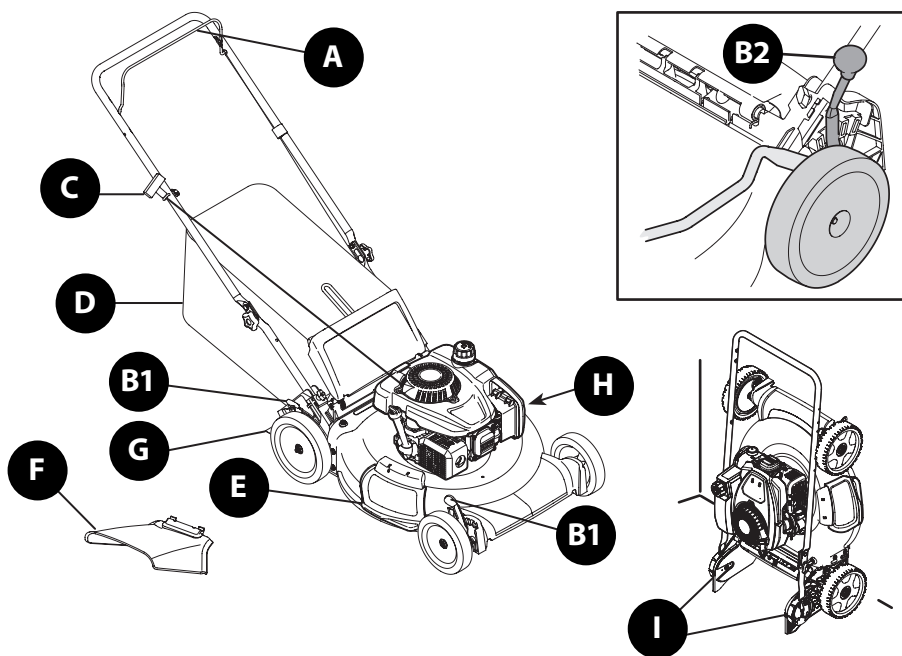


Figure 19

## Features

### A. BLADE CONTROL

The blade control is attached to the upper handle of the mower. Depress and squeeze it against the upper handle to operate the mower. Release the blade control to stop blade and engine.

### ⚠ WARNING

This blade control is a safety device. Never attempt to bypass its operation.

### B. CUTTING HEIGHT ADJUSTMENT LEVER

There are two cutting height adjustment configurations.

- 1. Dual Lever** - The dual lever cutting height adjustment levers are located above the front and rear right wheels. To adjust the cutting height, refer to Cutting Height Adjustment on page 10.
- 2. Single Lever** - The cutting height adjustment lever is located above the rear left wheel. To adjust the cutting height, refer to Cutting Height Adjustment on page 10.

### C. RECOIL STARTER

The recoil starter is attached to the right upper handle. Standing behind the mower and while holding the blade control down, pull the recoil starter handle to start the mower.

### D. GRASS CATCHER (IF EQUIPPED)

The grass catcher, located at the rear of the mower, is used to collect the grass clippings for disposal. Once the bag is full, remove it up through the handles and empty it before any further mowing.

### E. MULCH PLUG (IF EQUIPPED)

The mulch plug is located on the right side of the mower and is used for mulching purposes (recirculating the clippings back to the lawn).

# OPERATION

## F. SIDE DISCHARGE CHUTE (IF EQUIPPED)

The side discharge chute is used to discharge grass clippings to the side of the mower instead of collecting the clippings in the grass catcher or using the mower as a mulcher.

### ⚠ WARNING

Keep hands and feet away from the chute area on cutting deck. Refer to warning label on the unit.

## G. TRAIL SHIELD

The trail shield is attached to the rear of the mower and is there to protect the operator from flying debris. Do not use the mower unless the shield is fully functional and in place.

## H. DECK WASH (IF EQUIPPED)

Your mower's deck may be equipped with a fast attach deck wash nozzle on its surface as part of its deck wash system. Use the deck wash to rinse grass clippings from the deck's underside.

## I. VERTICAL STORAGE (IF EQUIPPED)

This feature allows the handle to be folded forward and the mower tipped back and stored vertically.

### ⚠ WARNING

Standing a mower without the vertical storage feature in the upright position may cause damage to the engine or cause a fuel or oil leak.

Only mowers with the vertical storage feature include an engine that can be stored in the upright position.

## Gasoline And Oil Fill-up

**IMPORTANT:** Refer to the separate Engine Operator's Manual for additional engine information.

This mower is shipped without gasoline (fuel) or oil in the engine. Be certain to service engine with gasoline and oil as instructed before starting or operating your lawn mower.

1. Add provided oil before starting mower for the first time as instructed in the separate Engine Operator's Manual.
2. Service the engine with gasoline as instructed in the separate Engine Operator's Manual.

### ⚠ WARNING

Use extreme care when handling gasoline. Gasoline is extremely flammable and the vapors are explosive. Never fuel the machine indoors or while the engine is hot or running. Extinguish cigarettes, cigars, pipes and other sources of ignition.

## To Start Engine

### ⚠ WARNING

Be sure no one other than the operator is standing near the lawn mower while starting engine or operating mower. Never run engine indoors or in enclosed, poorly ventilated areas. Engine exhaust contains carbon monoxide, an odorless and deadly gas. Keep hands, feet, hair and loose clothing away from any moving parts on engine and lawn mower.

Refer to the Engine Operator's Manual for instructions on starting and stopping the engine.

## To Stop Engine

Release blade control to stop the engine and blade.

### ⚠ WARNING

Wait for the blade to stop completely before performing any work on the mower or to remove the grass catcher.

Check blade stopping time is within 3 seconds. If blade does not stop within 3 seconds contact your Service Center.

## Using Your Lawn Mower

Be sure lawn is clear of stones, sticks, wire, or other objects which could damage lawn mower or engine. Such objects could be thrown by the blade in any direction and cause serious personal injury to the operator and helpers.

### ⚠ WARNING

The operation of any lawn mower can result in foreign objects being thrown into the eyes, which can damage your eyes severely. Always wear safety glasses while operating the mower, or while performing any adjustments or repairs.

## Using Mower as a Mulcher

For mulching grass, remove the grass catcher from the mower. When you remove the grass catcher from the mower allow the rear discharge door to close completely. For effective mulching, do not cut wet grass. If the grass has been allowed to grow in excess of four inches, mulching is not recommended. Use the grass catcher to collect clippings instead.

# OPERATION

## Using Mower with Grass Catcher

You can use the grass catcher to collect clippings while you are operating the mower.

1. Attach grass catcher following instructions in the Assembly section. Grass clippings will automatically collect in bag. Operate mower until grass bag is full.
2. Stop engine by releasing the blade control. Make sure that the engine has come to a complete stop.
3. Lift rear discharge door and pull grass bag up and away from the mower to remove the bag. Dispose of the grass clippings and reinstall the bag when complete.

### ⚠ WARNING

If you strike a foreign object, stop the engine. Disconnect the spark plug wire, thoroughly inspect mower for any damage, and repair damage before restarting and operating. Extensive vibration of mower during operation is an indication of damage. The mower should be promptly inspected and repaired.

## Vertical Mower Storage (If Equipped)

### ⚠ WARNING

Storing a mower without the vertical storage feature in the upright position may cause damage to the engine or cause a fuel or oil leak.

Only mowers with the vertical storage feature include an engine that can be stored in the upright position.

Do not store the mower outside or in damp area. Store mower in a dry, clean area.

## STORING THE MOWER

### ⚠ WARNING

Wait for engine to cool before wiping or storing.

**IMPORTANT:** Before storing the mower in the vertical position ensure the fuel level is at or below the recommended fill level. Refer to the Engine Operator's Manual.

1. Using compressed air or dry rag clean the outside of the mower and remove any debris from around the engine.
2. If equipped, remove the starting key.
3. Unlock the two handle release levers. See inset Figure 20.
4. Fold the handle (b) forward to the storage position (Figure 20). Do not crimp blade control cable or the drive control cable (if equipped) while lowering the handle.

5. Lock the two handle release levers. See inset Figure 20.

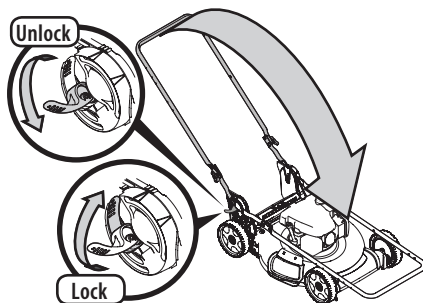


Figure 20

6. Lifting from the handle (a), tilt the mower up onto the rear wheels and back of the handle bracket (b) (Figure 21).
7. Position the mower so that the blade is facing a wall.

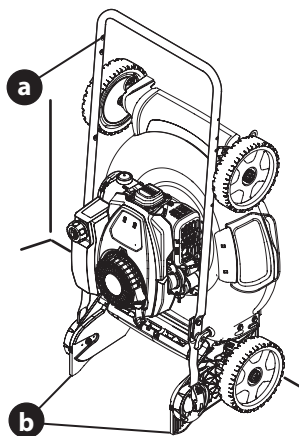


Figure 21

## REMOVING THE MOWER FROM STORAGE

### ⚠ WARNING

When moving the mower or unfolding the handle do not put hands or feet near or under the cutting deck. Otherwise serious injury may occur.

To prevent accidentally starting the mower engine when unfolding the handle, do not hold the blade control against the upper handle. Otherwise serious injury may occur.

1. Holding the mower by the upper handle, gently set the mower down on all four wheels.
2. To unfold the handle, unlock the two handle release levers (inset, Figure 21) and perform STEPS 5-8 IN ASSEMBLY, Vertical Storage Handle on page 8.

# SERVICE AND MAINTENANCE

## ⚠ WARNING

Before performing any type of maintenance/service, disengage all controls and stop the engine. Wait until all moving parts have come to a complete stop. Allow the engine to cool. Disconnect spark plug wire and ground it against the engine to prevent unintended starting.

### General Recommendations

- Always observe safety rules on the mower and in the manual(s) when performing any maintenance.
- The warranty on this mower does not cover items that have been subjected to operator abuse or negligence. To receive full value from warranty, operator must maintain the mower as instructed here.
- Changing of engine-governed speed will void engine warranty.
- Check that all hardware is in place & secure and tight before each use and before off season storage.

### Lubrication

#### BLADE CONTROL

Lubricate pivot points on the blade control at least once a season and before storage with light oil. This control must operate freely in both directions (Figure 22).

#### WHEELS

Lubricate all wheel hubs/axles at least once a season and before storage with light oil (Figure 22).

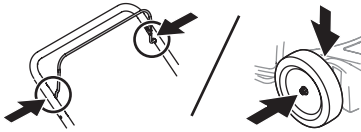


Figure 22

### Engine Maintenance

Annually check the engine mounting bolts torque: Min. 29.2 ft-lbs (39.6 N-m), Max. 41.7 ft-lbs (56.3 N-m).

Refer to the Engine Operator's Manual packed with your mower for a detailed description of all engine-related service specifications and storage.

If engine runs erratic, overheats, skips (hesitates) or idles poorly refer to the Engine Operator's Manual.

**IMPORTANT:** Check engine oil level before each use. Refer to Engine Operator's Manual.

#### CLEAN ENGINE

- Before every use, clean grass, chaff or accumulated debris from engine. Keep linkage, spring, and controls clean. Keep area around and behind muffler free of any combustible debris.
- Keeping engine clean allows air movement around engine.
- Engine parts should be kept clean to reduce the risk of overheating and ignition of accumulated debris.

## ⚠ CAUTION

Do not use water to clean engine parts. Water could contaminate fuel system. Use a brush or dry cloth.

### Mower Maintenance

#### DECK WASH (IF EQUIPPED)

Your mower's deck may be equipped with a deck wash system. Use the deck wash to rinse grass clippings from the deck's underside and prevent the buildup of corrosive chemicals. Complete the following steps AFTER EACH MOWING:

1. Push the mower to a level, clear location on your lawn. Ensure your garden hose can reach your mower.

## ⚠ CAUTION

Make certain the mower's discharge chute is directed AWAY from your house, garage, parked cars, etc.

2. Remove the fast attach deck wash nozzle from the mower deck and thread it onto the end of your garden hose.
3. Attach garden hose with the deck wash nozzle to the water port on your deck's surface (Figure 23).
4. Turn the water ON.
5. Start the engine as described in the Engine Operator's Manual.
6. Run the engine for a minimum of two minutes, allowing the underside of the cutting deck to thoroughly rinse.
7. Release blade control to stop the engine and blade.
8. Turn the water OFF and detach the deck wash nozzle from the water port on your deck's surface.
9. After cleaning your deck, restart the mower. Keep the engine and blade running for a minimum of two minutes, allowing the underside of the cutting deck to thoroughly dry.

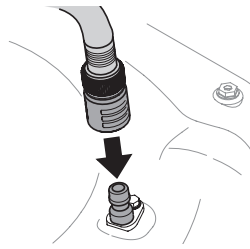


Figure 23

# SERVICE AND MAINTENANCE

## DECK CLEANING

At least once a season and before storage, clean the underside of the mower deck to prevent build-up of grass clippings or other debris.

1. Allow the engine to run until it is out of fuel. Do not attempt to pour fuel from the engine. Disconnect spark plug wire. Refer to Engine Operator's Manual.
2. Turn mower on its side keeping the muffler side down and making sure that the air filter and the carburetor are facing up. Hold mower firmly.
3. Scrape and clean the underside of the deck with a suitable tool. Do not spray with water.

**IMPORTANT:** Do not use a pressure washer or garden hose to clean your mower. These may cause damage to bearings or the engine. The use of water will result in shortened life and reduce serviceability.

4. Put the mower back on its wheels on the ground.

## Blade Care

### ⚠ WARNING

Wait for the blade to stop completely before performing any work on the mower or to remove the grass catcher.

Check blade stopping time is within 3 seconds. If blade does not stop within 3 seconds contact your Service Center.

### ⚠ WARNING

When removing the cutting blade for sharpening or replacement, protect your hands with a pair of heavy gloves or use a heavy rag to hold the blade.

Annually check the mower blade mounting bolt torque: Min. 37.5 ft-lbs (50.8 N-m), Max. 50.0 ft-lbs (67.8 N-m).

Periodically inspect the blade and blade adapter for bends or cracks, especially if you strike a foreign object or experience excessive vibration. Replace when necessary. Follow the steps below for blade service:

1. Allow the engine to run until it is out of fuel. Do not attempt to pour fuel from the engine.
2. Disconnect spark plug wire. Refer to Engine Operator's Manual.
3. Turn mower on its side keeping the muffler side down and making sure that the air filter and the carburetor are facing up.
4. Remove bolt (a) and blade bell support (b) which hold the blade and the blade adapter to the engine crankshaft (Figure 24).
5. Remove blade (c) and blade adapter (d) from the crankshaft

6. Remove blade from the blade adapter for testing balance.
  - a. Balance the blade on a round shaft screwdriver to check.
  - b. Remove metal from the heavy side until it balances evenly.

**NOTE:** When sharpening the blade, follow the original angle of grind. Grind each cutting edge equally to keep the blade balanced.

### ⚠ WARNING

An unbalanced blade will cause excessive vibration when rotating at high speeds. It may cause damage to engine and blade could break causing personal injury.

7. Lubricate the engine crankshaft and the inner surface of the blade adapter with light oil. See inset, Figure 24.
  - a. Slide the blade adapter (d) onto the engine crankshaft.
  - b. Place the blade on the adapter such that the side of the blade marked "Grass Side" (or with part number) faces the ground when the mower is in the operating position.
  - c. Make sure that the blade is aligned and seated on the blade adapter flanges.
8. Place blade bell support (b) on the blade (c). Align notches on the blade bell support with small holes in blade.
9. Replace hex bolt (a) and tighten hex bolt to torque: Min. 37.5 ft-lbs (50.8 N-m), Max. 50.0 ft-lbs (67.8 N-m).

**NOTE:** To ensure safe operation of your mower, periodically check the blade bolt for correct torque.

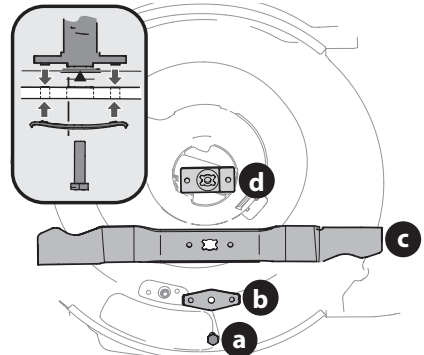


Figure 24

# MANUAL DEL OPERADOR

## Cortadora de Césped de Empuje

### Registro de Información del Producto

Antes de configurar y hacer funcionar su nueva cortadora de césped, por favor localice la placa de modelo en el equipo y registre la información en el espacio de la derecha. Encontrará la placa de modelo parándose en la posición del operador y mirando sobre la parte posterior de la plataforma. Necesitará esta información si tiene que solicitar soporte técnico a través de nuestro sitio web, el Departamento de Atención al Cliente, o de un distribuidor local de servicio autorizado.

### Número de modelo

### Número de serie

### ADVERTENCIA

Lea y cumpla todas las reglas e instrucciones de seguridad de este manual antes de intentar operar esta máquina.

Si no sigue estas instrucciones, se pueden provocar lesiones personales - GUARDE ESTAS INSTRUCCIONES.

### ADVERTENCIA

### PROPOSICIÓN 65 DE CALIFORNIA

El escape del motor, algunos de los elementos del mismo y algunos componentes del vehículo contienen o liberan sustancias químicas que según el Estado de California pueden producir cáncer, defectos de nacimiento u otros problemas reproductivos.

**NOTA:** Este Manual del Operador corresponde a varios modelos. Las características pueden variar según los modelos. No todas las características que se incluyen en este manual se aplican a todos los modelos y el modelo que se ilustra aquí puede diferir del suyo.



# PRÁCTICAS DE OPERACIÓN SEGURAS

## ⚠ ADVERTENCIA



Este símbolo indica instrucciones de seguridad importantes que, de no seguirse, pueden poner en peligro su seguridad personal y/o material y la de otras personas. Lea y cumpla todas las instrucciones de este manual antes de intentar hacer funcionar esta máquina. Si no sigue estas instrucciones, se pueden provocar lesiones personales. Cuando vea este símbolo, ¡PRESTE ATENCIÓN A LA ADVERTENCIA!

## ⚠ PELIGRO

Esta máquina está diseñada para ser utilizada respetando las prácticas de operación seguras contenidas en este manual. Al igual que con cualquier tipo de equipo motorizado, un descuido o error por parte del operador puede producir lesiones graves. Esta máquina es capaz de amputar dedos, manos y pies y de arrojar residuos. De no respetar las instrucciones de seguridad siguientes, se pueden ocasionar lesiones graves o la muerte.

### INFORMACIÓN GENERAL

1. Lea, entienda y cumpla todas las instrucciones que figuran sobre la cortadora de césped y en los manuales antes de intentar armar la unidad y utilizarla. Guarde este manual en un lugar seguro para consultas futuras y periódicas, así como para solicitar repuestos.
2. Familiarícese con todos los controles y con el uso adecuado de los mismos.
3. No permita nunca que los niños menores de 14 años utilicen esta cortadora de césped. Los niños de 14 años en adelante deben leer y entender las instrucciones y prácticas de operación seguras contenidas en este manual y sobre la cortadora de césped, y deben ser entrenados y supervisados por un adulto.
4. Nunca permita que los adultos operen esta cortadora de césped sin recibir antes la instrucción apropiada.
5. Almacene la cortadora en una zona limpia y seca. No la almacene cerca de productos corrosivos, como por ejemplo fertilizantes.
6. Si se presentan situaciones que no están previstas en este manual, sea cuidadoso y use el sentido común. Póngase en contacto con su representante de atención al cliente para obtener ayuda.
7. De conformidad con la Comisión de Seguridad de Productos para el Consumidor de los Estados Unidos (CPSC) y la Agencia de Protección Ambiental de los Estados Unidos (EPA), este producto tiene una vida útil estimada de siete (7) años, en condiciones normales de uso. Al final de su vida útil, se deberá solicitar una inspección del producto anualmente a fin de asegurarse de que todos los sistemas mecánicos y de seguridad funcionen adecuadamente, de manera segura y no estén excesivamente desgastados. Si no lo hace, puede ocasionar accidentes, lesiones o la muerte.

### PREPARATIVOS ANTERIORES AL USO

1. Revise minuciosamente el área donde se va a usar la cortadora de césped. Saque todas las piedras, palos, cables, huesos, juguetes y otros objetos extraños con los que podría tropezar o que podrían ser arrojados por la cuchilla. Los objetos arrojados por la máquina pueden producir lesiones personales graves.

2. Para evitar lesiones por contacto con la cuchilla o un objeto arrojado, permanezca en la zona del operador detrás de las manijas de la cortadora. Indique a los asistentes que permanezcan al menos a 75 pies (23 metros) de la cortadora mientras está en funcionamiento. Mantenga a observadores, niños y mascotas en interiores durante el funcionamiento de la cortadora de césped. Detenga la cortadora de césped si alguien entra en la zona.
3. Esté atento a la cortadora de césped y a la dirección de descarga de los aditamentos y no apunte la descarga de la cortadora en dirección a nadie.
4. Para protegerse los ojos, utilice siempre gafas o anteojos de seguridad mientras opera la máquina y mientras la ajusta o repara. Los objetos arrojados que rebotan pueden producir lesiones graves en los ojos.
5. Utilice zapatos de trabajo resistentes, de suela fuerte, y pantalones y camisas ajustados. Las ropas sueltas, las alhajas y el cabello largo pueden engancharse en las piezas móviles. Se recomienda vestir camisas y pantalones que cubren brazos y piernas y usar zapatos con puntera de acero.
6. Nunca opere la cortadora descalzo, con sandalias, zapatos resbalosos o livianos (por ej. de Iona).
7. Nunca llene en exceso el depósito de combustible. Llene el depósito no más de 1" (2.5 cm) por debajo de la base del cuello de llenado dejando espacio para la expansión del combustible.
8. Vuelva a colocar la tapa de la gasolina y ajústela bien.
9. Use sólo implementos y accesorios que el fabricante haya aprobado para esta cortadora de césped. Lea, comprenda y siga todas las instrucciones incluidas con el accesorio o implemento aprobado.

### FUNCIONAMIENTO

1. Las estadísticas indican que los operadores mayores de 65 años se ven involucrados en un alto porcentaje de lesiones relacionadas con cortadoras de césped. Estas personas deben evaluar su capacidad para operar la cortadora de césped de manera suficientemente segura para protegerse a sí mismos y a otros de lesiones graves.
2. Muchas lesiones ocurren como resultado de pasar la cortadora sobre los pies durante una caída provocada al patinarse o tropezarse. No se sostenga de la cortadora si se está cayendo, suelte la manija inmediatamente.
3. Nunca tire la cortadora hacia usted mientras camina. Si debe retroceder con la cortadora para evitar una pared u obstáculo, mire primero abajo y atrás para evitar tropezarse y luego siga estos pasos:

## PRÁCTICAS DE OPERACIÓN SEGURAS

- a. Apártese de la cortadora hasta estirar completamente sus brazos.
  - b. Asegúrese de estar en equilibrio y bien parado.
  - c. Tire de la cortadora lentamente hacia usted, no más allá de la mitad de la distancia que los separa.
  - d. Repita estos pasos según sea necesario.
4. No engrane el control de la transmisión (si se incluye) mientras enciende el motor.
  5. El control de la cuchilla es un dispositivo de seguridad. Nunca intente anular su funcionamiento. De hacerlo, el dispositivo de seguridad quedaría inoperativo y podrían producirse lesiones personales por el contacto con la cuchilla giratoria. El control de la cuchilla debe funcionar bien en ambas direcciones y regresar automáticamente a la posición desengranada cuando se lo suelta. La cuchilla continúa rotando por hasta tres segundos después de que se suelta el control de las cuchillas. Nunca coloque ninguna parte del cuerpo en el área de la cuchilla hasta que esté seguro que la cuchilla ha dejado de girar.
  6. Si la cortadora de césped comienza a vibrar de forma extraña, detenga el motor y busque inmediatamente la causa. La vibración generalmente advierte que hay algún problema.
  7. Nunca opere la cortadora sin estar en su lugar y funcionando el escudo apropiado, la cubierta de descarga, el colector de césped, el control de la cuchilla u otros dispositivos de seguridad y protección. Nunca opere la cortadora si los dispositivos de seguridad están dañados. De lo contrario podrían producirse lesiones personales.
  8. Cuando encienda el motor, jale de la cuerda lentamente hasta que sienta resistencia, luego jale rápidamente. El repliegue rápido de la cuerda de arranque (retroceso o rebote) le jalará la mano y el brazo hacia el motor más rápido de lo que usted tarda en soltarla. Puede llegar a causar huesos rotos, fracturas, hematomas y esguinces.
  9. No ponga las manos ni los pies cerca de las piezas rotatorias ni debajo de la plataforma de corte. El contacto con la(s) cuchilla(s) puede amputar manos y pies.
  10. Esté atento a los hoyos, surcos, baches, rocas, u otros objetos ocultos. Los terrenos desnivelados u objetos ocultos pueden causar derrapes y/o caídas. El césped alto puede ocultar obstáculos.
  11. La cortadora está diseñada para cortar césped residencial normal, con una altura no mayor a 7" (17,5 cm). No intente cortar césped demasiado crecido, seco (como un pastizal) ni pilas de hojas secas.
  12. Planifique el patrón de corte para evitar que la descarga de material se realice hacia caminos, veredas, asistentes, etc. Evite descargar material contra una pared u obstrucción, ya que esto podría hacer que el material descargado rebote contra el operador.
  13. Apague el motor y espere hasta que la cuchilla se detenga completamente antes de retirar el colector de césped o de destapar la tolva. La cuchilla de corte sigue girando por hasta tres segundos después de soltar el control de la cuchilla. Nunca coloque ninguna parte del cuerpo en el área de la cuchilla hasta que esté seguro de que el motor está apagado y la cuchilla ha dejado de girar.
  14. Una puerta de descarga, tolva o adaptador para abono faltante o dañado puede provocar lesiones por contacto con la cuchilla o por objetos arrojados.
  15. Nunca opere la cortadora de césped si no están bien colocados la puerta de descarga, la tolva, el adaptador para abono o el colector de césped completo.
  16. Detenga la cuchilla de la cortadora de césped cuando cruce caminos o senderos de gravilla y cuando no esté cortando el césped.
  17. Corte el césped solamente con luz de día o con una buena luz artificial.
  18. No opere la cortadora de césped estando bajo los efectos del alcohol o de drogas.
  19. El silenciador y el motor están a temperatura muy alta y pueden provocar lesiones graves por quemaduras. No los toque. Deje que se enfríe la cortadora de césped al menos durante cinco minutos antes de almacenarla o intentar cualquier tarea de mantenimiento.
  20. Nunca encienda un motor en interiores o en espacios cerrados o con poca ventilación. El escape del motor contiene monóxido de carbono, un gas inodoro y letal.

### NIÑOS

1. Si el operador no está atento a la presencia de niños, se pueden producir accidentes trágicos. Por lo general a los niños les atraen las cortadoras y la actividad de cortar el césped. Los niños no son conscientes de los peligros. Nunca asuma que los niños permanecerán donde los vio por última vez.
2. Mientras la cortadora está en funcionamiento, mantenga a observadores, niños y mascotas en interiores bajo la atenta supervisión de un adulto responsable que no sea el operador. Detenga la cortadora de césped si alguien entra en la zona.
3. Esté alerta y apague la cortadora si un niño u observador ingresa al área.
4. No permita nunca que los niños menores de 14 años utilicen esta cortadora de césped. Los niños de 14 años en adelante deben leer y entender las instrucciones y prácticas de operación seguras contenidas en este manual y sobre la cortadora de césped, y deben ser entrenados y supervisados por un adulto.
5. Esta cortadora de césped es un equipo motorizado de precisión, no un juguete. Por lo tanto, tenga mucho cuidado en todo momento. Esta cortadora de césped fue diseñada para realizar una sola tarea: cortar el césped. No la utilice para ningún otro fin.
6. Tenga mucho cuidado al aproximarse a esquinas ciegas, puertas, arbustos, árboles u otros objetos que puedan obstaculizarle la vista de un niño que pudiese correr al encuentro de la cortadora.
7. Mantenga a los niños alejados de motores en marcha o calientes. Pueden sufrir quemaduras al tocar un motor o silenciador caliente.
8. Si su cortadora de césped viene equipada con una Llave Pulsadora de Encendido Eléctrico, quite la llave cuando deje sola la cortadora para evitar que una persona sin autorización la maneje. Asegúrese de que la llave quede fuera del alcance de niños pequeños.

# PRÁCTICAS DE OPERACIÓN SEGURAS

## FUNCIONAMIENTO EN PENDIENTES PARA CORTADORAS DE EMPUJE

1. Las pendientes son un factor importante en los accidentes ocasionados por derrapes y caídas y pueden producir lesiones graves o incluso la muerte. Todas las pendientes requieren precaución extra. Si no se siente seguro en una pendiente, no corte el césped.
2. Para su seguridad, antes de usar la cortadora de césped mida cualquier pendiente que haya. Use un dispositivo de medición de pendientes además del indicador de pendiente que se incluye como parte de este manual para medir las pendientes antes de operar esta cortadora de césped en una zona inclinada o con pendientes. Para medir las pendientes, también se pueden usar aplicaciones de teléfonos inteligentes. Si la pendiente es de más de 15° (25%) medida por el indicador de pendiente o un dispositivo de medición de pendientes, no haga funcionar esta cortadora de césped en ese sector pues podría causar lesiones graves.
3. No corte el césped en pendientes de más de 15 grados (25%).
4. Siempre corte el césped de forma transversal a la pendiente, nunca hacia arriba y hacia abajo.
5. La cortadora de césped podría acelerarse al colocarla cuesta abajo, siempre debe colocarla cuesta arriba. Mantenga siempre el control de la cortadora de césped.
6. No corte el césped húmedo. Si no está firmemente parado, podría resbalarse.
7. No opere la cortadora de césped en ninguna condición en la que se comprometan la tracción o estabilidad. Asegúrese siempre de estar bien afirmado. Si resbala y cae puede lesionarse gravemente. Si siente que pierde el equilibrio o deja de estar bien afirmado, suelte inmediatamente la manija de control de la cuchilla y la cuchilla dejará de girar en tres (3) segundos.
8. Manténgase a por lo menos 3 pies (1 metro) de barrancos, zanjas o terraplenes o del borde del agua. Podría perder el equilibrio o dejar de estar bien afirmado.

## INCENDIOS Y COMBUSTIBLE

1. Sea sumamente cuidadoso al manipular gasolina para evitar lesiones personales y daños materiales. La gasolina es sumamente inflamable y sus vapores son explosivos. Si se derrama gasolina encima o sobre la ropa se puede lesionar gravemente ya que se podría prender fuego. Lávese la piel y cámbiese de ropa de inmediato.
2. Apague todos los cigarrillos, cigarrillos, pipas y otras fuentes de encendido.
3. Use sólo un recipiente de combustible (gasolina) portátil aprobado. Use sólo recipientes certificados por EPA, CARB y/u OSHA.
4. Nunca saque la tapa del combustible ni agregue combustible mientras el motor está caliente o en marcha. Deje que el motor se enfríe por lo menos cinco minutos antes de volver a cargar combustible.
5. Nunca cargue combustible a la cortadora de césped en interiores.
6. Nunca guarde la cortadora de césped o el recipiente de combustible en un espacio cerrado donde haya una llama abierta, chispas o luz piloto, como por ejemplo de calentadores de agua, calefactores de ambientes, hornos, secadores de ropa u otros aparatos a gas.

7. Limpie el combustible que se pueda haber derramado sobre el motor y la cortadora de césped. Limpie los derrames de combustible o aceite y elimine los residuos empapados con gasolina. Traslade la cortadora de césped a otra zona. Espere al menos 5 minutos antes de arrancar el motor.
8. Para reducir el riesgo de incendio mantenga la cortadora limpia de pasto, hojas y de acumulación de otros escombros. Siga el "Programa de Mantenimiento" que figura en la sección Servicio y Mantenimiento para mantener su cortadora de césped libre de residuos.
9. Nunca llene en exceso el depósito de combustible. Llene el depósito no más de 1" (25 mm) por debajo de la base del cuello de llenado, para dejar espacio para la expansión del combustible.
10. Vuelva a colocar la tapa de la gasolina y ajústela bien.
11. Deje que la cortadora de césped se enfríe por lo menos cinco minutos antes de cargarle combustible o guardarla.
12. Nunca llene los recipientes en el interior de un vehículo o camión o caja de remolque con recubrimientos plásticos. Siempre ubique los recipientes en el piso, lejos del vehículo antes de llenarlos.
13. Cuando sea factible, retire el equipo a gasolina del camión o remolque y apóyelo en el suelo para llenarlo. Si esto no es posible, recargue combustible sobre el remolque con un recipiente portátil, en lugar de una boquilla dosificadora de gasolina.
14. Mantenga la boquilla dispensadora en contacto con el borde del depósito de combustible o con la boca del recipiente en todo momento, hasta terminar de cargar. No utilice un dispositivo de bloqueo/apertura de boquilla.

## SERVICIO Y MANTENIMIENTO

1. Mantenga la cortadora de césped en buenas condiciones de funcionamiento. Reemplace las piezas dañadas o gastadas.
2. Para evitar lesiones graves o la muerte, no modifique el motor de ninguna manera. Si cambia la configuración del regulador, el motor podría funcionar a velocidades inseguras. Nunca modifique el ajuste de fábrica del regulador del motor. No cambie la configuración del regulador del motor ni acelere demasiado el motor. El regulador del motor controla la velocidad máxima segura de funcionamiento del motor.
3. Las cuchillas de las cortadoras de césped son filosas. Envuelva la cuchilla o utilice guantes y extreme las precauciones cuando les haga mantenimiento.
4. Antes de limpiar, reparar o inspeccionar la máquina, compruebe que la cuchilla y todas las partes móviles se hayan detenido. Desconecte el cable de la bujía y póngalo de manera que haga masa contra el motor para evitar que se encienda accidentalmente.
5. Verifique que la cuchilla se haya detenido por completo dentro de los tres (3) segundos de operar el control de la cuchilla. Si la cuchilla no se detiene en menos de tres segundos, su cortadora de césped debe ser revisada por profesionales de un distribuidor de servicio autorizado. Consulte el funcionamiento correcto en la sección Servicio y Mantenimiento.

## PRÁCTICAS DE OPERACIÓN SEGURAS

- Controle periódicamente el funcionamiento del sistema de enclavamiento de seguridad, tal como se describe más adelante en este manual. Si el sistema de enclavamiento de seguridad no funciona correctamente, lleve su cortadora de césped a hacerle un servicio profesional de un distribuidor autorizado.
- Nunca altere el enclavamiento de seguridad del control de la cuchilla u otros dispositivos de seguridad. Consulte el funcionamiento correcto en la sección Servicio y Mantenimiento.
- Controle el par de ajuste del perno de montaje del motor y cuchilla de la cortadora de césped de acuerdo con la sección Servicio y Mantenimiento de este manual. Además, inspeccione visualmente la cuchilla en busca de daños (por ejemplo, desgaste excesivo, abolladuras, rajaduras). Reemplace la cuchilla únicamente por la cuchilla del fabricante del equipo original (O.E.M.)
- El uso de piezas que no cumplen con las especificaciones del equipo original puede resultar en un rendimiento inadecuado y poner en peligro la seguridad.
- Mantenga todas las tuercas, pernos y tornillos bien ajustados para asegurarse de que la máquina se en
- uentra en condiciones de funcionamiento seguras. Controle el ajuste de todos los elementos de ferretería de acuerdo con la sección Servicio y Mantenimiento.
- Después de golpear contra algún objeto extraño, detenga el motor, desconecte el(los) cable(s) de bujía y conecte el motor a masa. Inspeccione minuciosamente la cortadora de césped para determinar si está dañada. Repare el daño antes de volver a arrancar y operar la máquina.
- Nunca intente ajustar una rueda o la altura de corte ni efectuar reparaciones mientras el motor está en marcha.
- Los componentes del colector de césped y la cubierta de descarga están sujetos a desgaste y daños que podrían dejar expuestas piezas que se mueven o permitir que se arrojen objetos. Para proteger su seguridad, verifique frecuentemente los componentes y reemplácelos inmediatamente por piezas del fabricante del equipo original (O.E.M.) únicamente. "El uso de piezas que no cumplen con las especificaciones del equipo original podría producir un rendimiento inadecuado y además puede comprometer la seguridad".
- Mantenga o reemplace las etiquetas de seguridad e instrucciones según sea necesario.
- Respete las leyes y reglamentaciones referentes a la eliminación correcta de combustible, aceite, etc. para proteger el medio ambiente.

### AVISO SOBRE EMISIONES

**Los motores tienen la certificación de cumplimiento de las reglamentaciones sobre emisiones federales de EPA y California para SORE (equipo pequeño para uso fuera de carreteras), funcionan con gasolina normal sin plomo y pueden incluir los siguientes sistemas de control de emisiones: Modificación de motor (EM) y catalizador de tres vías (TWC) si están equipados con esos sistemas.**

Quando sea necesario, los modelos están equipados con líneas de combustible y depósitos de combustible de baja penetración para controlar las emisiones por evaporación. Los modelos de California también pueden incluir un filtro de carbono. Por favor, póngase en contacto con Atención al Cliente para obtener información sobre la configuración del control de emisiones por evaporación para su modelo.

### AMORTIGUADOR DE CHISPAS

#### ⚠ ADVERTENCIA

Esta cortadora de césped está equipada con un motor de combustión interna y no debe ser utilizada en o cerca de un terreno agreste cubierto por bosque, malezas o hierba a manos que el sistema de escape del motor esté equipado con un amortiguador de chispas que cumpla con las leyes locales o estatales correspondientes (en caso de existir).

Si se utiliza un amortiguador de chispas, el operador lo debe mantener en condiciones de uso adecuadas. En el Estado de California, las medidas anteriormente mencionadas son exigidas por ley (Artículo 4442 del Código de Recursos Públicos de California). Es posible que existan leyes similares en otros estados. Las leyes federales se aplican en territorios federales.

Puede conseguir el amortiguador de chispas para el silenciador a través de su distribuidor autorizado de motores más cercano o poniéndose en contacto con el departamento de servicios, P.O. Box 361131 Cleveland, Ohio 44136-0019.

### INDICADOR DE PENDIENTE (CUBIERTA POSTERIOR)

#### ⚠ ADVERTENCIA

Las pendientes son un factor importante en los accidentes ocasionados por derrapes y caídas y pueden producir lesiones graves. Todas las pendientes requieren precaución extra. Si no se siente seguro en una pendiente, no corte el césped. No corte el césped en pendientes de más de 15 grados (25%). Siempre corte el césped de forma transversal a la pendiente, nunca hacia arriba y hacia abajo.

**PARA DETERMINAR SI UNA PENDIENTE ES DEMASIADO EMPINADA Y EVITAR RIESGOS, USE EL INDICADOR DE PENDIENTE QUE APARECE EN LA CUBIERTA POSTERIOR COMO SE MUESTRA.**

**Para comprobar la pendiente, proceda de la siguiente manera:**

- Abra el manual en la página y dóblela por la línea de puntos.
- Ubique un objeto vertical que esté sobre la pendiente o detrás de la misma (p. ej., un poste, un edificio, un cerco, un árbol, etc.)
- Alinee cualquiera de los lados del indicador de pendiente con el objeto.
- Ajuste el indicador hacia arriba o abajo hasta que la esquina izquierda toque la pendiente.
- Si hay una separación por debajo del indicador, significa que la pendiente es demasiado empinada para una operación segura.

# SÍMBOLOS DE SEGURIDAD

En esta página, se presentan y describen los símbolos de seguridad que pueden aparecer en esta cortadora de césped. Lea, comprenda y siga todas las instrucciones que aparecen sobre la cortadora de césped antes de intentar armarla y hacerla funcionar.

Símbolo	Descripción
	<b>ADVERTENCIA – LEA EL MANUAL DEL OPERADOR</b> Lea, entienda y cumpla todas las reglas e instrucciones de seguridad que se incluyen en el manual y sobre la cortadora de césped antes de intentar utilizar esta cortadora. Si no cumple con lo que indica esta información, se pueden provocar lesiones personales o la muerte. Conserve este manual en un lugar seguro para usarlo como referencia futura habitual.
	<b>PELIGRO — EVITE LESIONES DE AMPUTACIÓN</b> No ponga las manos ni los pies cerca o debajo de la plataforma de corte. El contacto con las cuchillas puede producir la amputación de manos y pies.
	<b>PELIGRO - EVITE ATROPELLAR NIÑOS/LESIÓN POR CONTACTO CON LA CUCHILLA</b> No corte el césped cuando haya niños u otras personas cerca. Para evitar lesiones por contacto con la cuchilla o un objeto arrojado, permanezca en la zona del operador detrás de las manijas de la cortadora. Indique a los asistentes que permanezcan al menos a 75 pies (23 metros) de la cortadora mientras está en funcionamiento. Mantenga a observadores, niños y mascotas en interiores durante el funcionamiento de la cortadora de césped. Detenga la cortadora de césped si alguien entra en la zona.
	<b>PELIGRO - EVITE LESIONES POR OBJETOS ARROJADOS</b> Mantenga a los asistentes al menos a 75' (23 metros) durante el funcionamiento de la cortadora de césped. Saque todas las piedras, palos, cables, huesos, juguetes y demás objetos extraños que puedan ser recogidos y arrojados por la(s) cuchilla(s). Nunca opere la cortadora de césped si no está bien colocada la cubierta de descarga o el colector de césped completo.
	<b>PELIGRO — EVITE DERRAPES Y CAÍDAS EN PENDIENTES</b> Las pendientes son un factor importante en los accidentes ocasionados por derrapes y caídas y pueden producir lesiones graves. Todas las pendientes requieren precaución extra. Si no se siente seguro en una pendiente, no corte el césped. No corte el césped en pendientes de más de 15 grados (25%). Siempre corte el césped de forma transversal a la pendiente, nunca hacia arriba y hacia abajo.
	<b>ADVERTENCIA - LA GASOLINA ES INFLAMABLE</b> Deje que el motor se enfríe por lo menos cinco minutos antes de volver a cargar combustible.
	<b>ADVERTENCIA - LESIÓN POR QUEMADURAS</b> El silenciador y el motor están a temperatura muy alta y pueden provocar lesiones graves por quemaduras. No los toque. Deje que se enfríe la cortadora de césped al menos durante cinco minutos antes de almacenarla o intentar cualquier tarea de mantenimiento.

## ⚠ ADVERTENCIA

**Su Responsabilidad:** Sólo permita que usen esta máquina eléctrica las personas que lean, comprendan y respeten las advertencias e instrucciones que aparecen en este manual y en la máquina - ¡GUARDE ESTAS INSTRUCCIONES!

# MONTAJE

**IMPORTANTE:** Esta cortadora de césped se envía sin gasolina ni aceite en el motor. Antes de poner en marcha u operar su cortadora de césped, asegúrese de cargar el motor con gasolina y aceite como se indica en la sección Funcionamiento del Manual del Operador del Motor.

**NOTA:** Las referencias a los lados derecho e izquierdo de la cortadora de césped se hacen observando la máquina desde la posición de operación.

## Desempaque

### APERTURA DE LA CAJA DE CARTÓN

1. Corte cada una de las esquinas de la caja verticalmente, de la parte superior a la base.
2. Saque todas las piezas sueltas:
  - Colector de césped (si está incluido)
  - Aceite del motor
3. Quite el material de empaque suelto.

### RETIRO DE LA CORTADORA DE CÉSPED DE LA CAJA

1. Eleve la cortadora de césped desde la parte posterior para separarla del material de la base de la caja y haga rodar la cortadora de césped fuera de la caja.
2. Verifique cuidadosamente si en la caja queda alguna otra pieza suelta.

## Montaje de la Cortadora de Césped

Para montar y armar la cortadora de césped, siga los siguientes pasos:

- Montaje de la Manija
  - Manijas Extraíbles Consulte la página 22.
  - Manija de Almacenamiento Vertical Consulte la página 23.
- Montaje de la Manija de Cuerda del Arrancador de Retroceso
- Acople del Colector de Césped (si se incluye)
- Acople de la Cubierta de Descarga Lateral (si se incluye)

**NOTA:** Si fuese necesario, después de montar la cortadora de césped, consulte los procedimientos en la sección Ajustes.

## Montaje de la Manija

### MANIJAS EXTRAÍBLES

1. Retire el material de empaque que pudiera estar entre las manijas superior e inferior.
2. Retire las perillas o tuercas de mariposa y pernos de cabeza redonda de la manija (Figura 1). No afloje o quite los tornillos de cabeza hexagonal adyacentes.

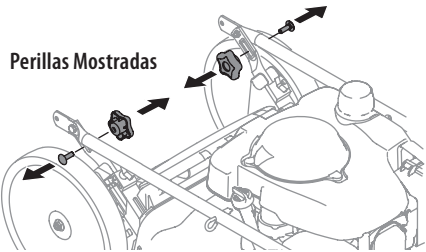


Figura 1

3. Mientras estabiliza la cortadora para que no se mueva, gire la manija superior hacia arriba (Figura 2). No presione el cable del control de la cuchilla mientras levanta la manija.

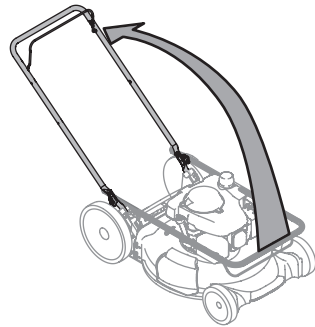


Figura 2

4. Retire los pernos T de los soportes de la manija (Figura 3).

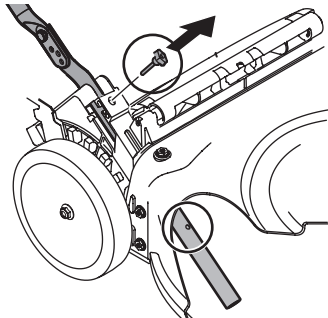


Figura 3

5. Tire hacia arriba la manija (Figura 4) hasta que los orificios de la manija inferior se alineen con los orificios de los soportes de la manija (Figura 3 Corte Transversal de la Plataforma).

**NOTA:** Cuando tira hacia arriba la manija, no tire de la manija por completo para evitar que se salga de los soportes de la manija.

# MONTAJE

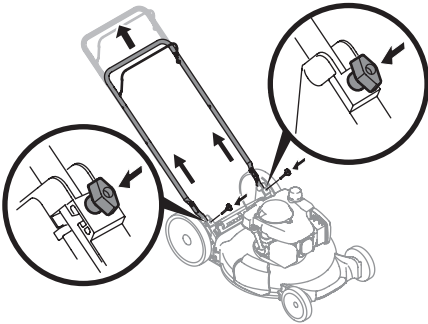


Figura 4

6. Inserte los pernos T quitados en el PASO 4 a través de los soportes de la manija y la manija inferior (Figura 4) y ajuste bien para asegurar la manija en su lugar.
7. Vuelva a colocar las perillas o tuercas de mariposa retirados en el Paso 2 en los orificios inferiores de la manija (Figura 5).

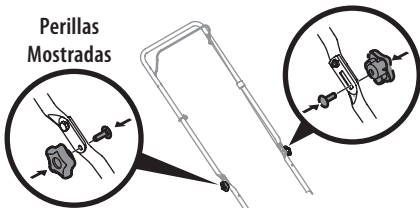


Figura 5

## MANIJA DE ALMACENAMIENTO VERTICAL

1. Retire los cuatro pernos de cabeza redonda y tuercas de las manijas inferiores (Figura 6).

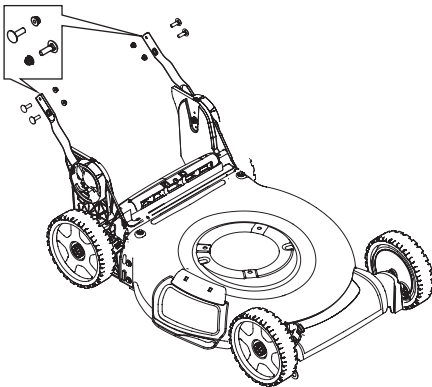


Figura 6

2. Destrahe las dos palancas de liberación de manija. Vea el recuadro de la Figura 7.
3. Asegúrese de que las manijas inferiores queden plegadas hacia adelante mirando al frente de la cortadora de césped.

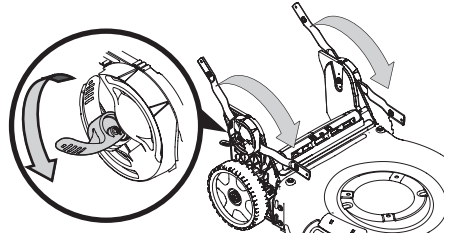


Figura 7

4. Usando los cuatro pernos de cabeza redonda y tuercas retirados en el PASO 2, asegure la manija superior a la manija inferior. Ajuste los elementos de ferretería para asegurar la manija en su lugar.

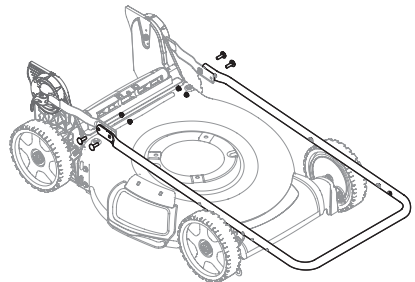


Figura 8

5. Mientras estabiliza la cortadora para que no se mueva, levante la manija superior hacia arriba (a) (Figura 9). No presione el cable del control de la cuchilla mientras levanta la manija.
6. Cuando levante la manija superior, asegúrese de que el indicador de posición (b) esté alineado con una de las tres posiciones de la manija (c). Vea el recuadro de la Figura 9.
7. Trabe las dos palancas de liberación de manija. Vea el recuadro de la Figura 9.
8. Compruebe que todos los elementos de ferretería estén bien ajustados.

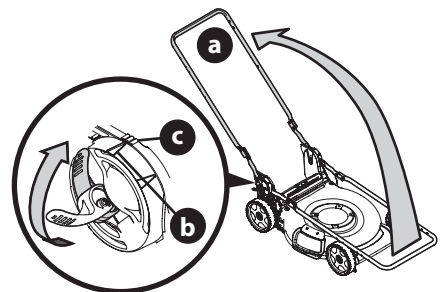


Figura 9

## Montaje de la Manija de Cuerda del Arrancador de Retroceso

**NOTA:** La guía de la cuerda está unida al costado derecho de la manija superior. Afloje la perilla que sujeta la guía de la cuerda (Figura 10).

**NOTA:** Cortadoras de césped con almacenamiento vertical únicamente: La cuerda del arrancador de retroceso está equipada con una abrazadera de tope de cuerda para evitar que se jale dicha cuerda hacia el interior del motor. No extraiga la abrazadera de tope de la cuerda.

1. Sostenga el control de la cuchilla contra la manija superior.
2. Lentamente tire de la manija de la cuerda de arranque de retroceso y deslice la cuerda de arranque en la guía de la cuerda.
3. Ajuste la perilla de la guía de la cuerda.

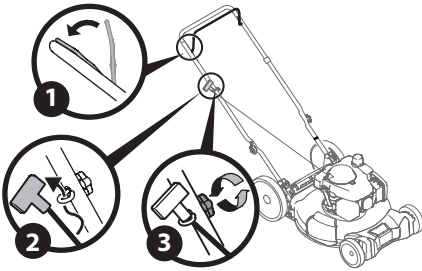


Figura 10

## Acople del Colector de Césped (si se incluye)

1. Para montar el colector de césped, proceda de la siguiente manera (Figura 11).

**NOTA:** Antes de montar el colector de césped, asegúrese que la bolsa para recortes esté con el lado derecho hacia afuera, con la etiqueta de advertencia hacia afuera.

- a. Coloque la bolsa sobre el bastidor de modo que su lado de plástico negro quede en el fondo.
- b. Deslice os canales plásticos (a) de la bolsa para recortes sobre el bastidor (b).

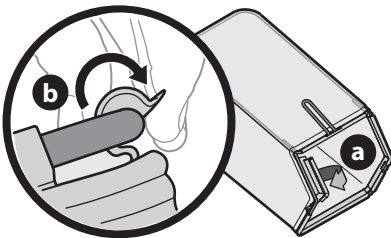


Figura 11

2. Para acoplar el colector de césped (Figura 12), siga los pasos siguientes.

- a. Levante la puerta de descarga trasera de la cortadora de césped (a).
- b. Coloque el colector de césped dentro de las ranuras de los soportes de la manija (b). Baje la puerta de descarga de modo que quede apoyada sobre el colector de césped.

**NOTA:** Para quitar el colector de césped invierta el PASO 2. Levante la puerta de descarga trasera de la cortadora. Levante el colector de césped para sacarlo de las ranuras de los soportes de la manija y baje la puerta de descarga trasera.

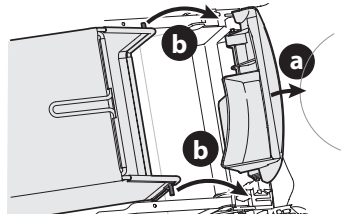


Figura 12

## Acople de la Cubierta de Descarga Lateral (si se incluye)

Su cortadora se envía como abonadora. Para convertir a descarga lateral, asegúrese de quitar el colector de césped y de cerrar la puerta de descarga trasera.

1. Levante la cubierta de abono lateral (Figura 13).
2. Deslice los dos ganchos de la cubierta de descarga lateral bajo el pasador de bisagra de la cubierta de abono. Baje la cubierta de abono lateral.

**IMPORTANTE:** No quite en ningún momento la cubierta de abono lateral.

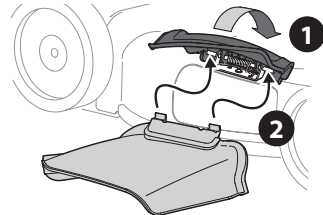


Figura 13

**NOTA:** Algunas tolvas de descarga incluyen un sujetador para asegurar la tolva de descarga a la manija. Si se incluye, la tolva de descarga lateral puede asegurarse a la manija cuando no está en uso (Figura 14).

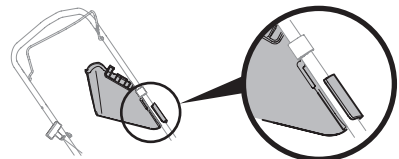


Figura 14



## Ajuste de la Altura de Corte

Hay dos configuraciones de ajuste de la altura de corte. Consulte la sección correspondiente a su cortadora de césped.

### PALANCA SIMPLE (SI SE INCLUYE)

El ajuste de altura de corte de palanca simple se ubica por encima de la rueda izquierda trasera (Figura 15).

1. Tire cuidadosamente de la palanca de ajuste de altura hacia afuera en dirección a la rueda (la cortadora de césped tenderá a caer cuando se mueve la palanca hacia afuera).
2. Para cambiar la altura de corte, mueva la palanca a la posición deseada.
3. Suelte la palanca hacia la plataforma.

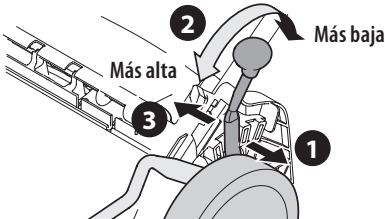


Figura 15

### PALANCA DOBLE (SI SE INCLUYE)

Las palancas de ajuste de altura de corte de palanca doble están ubicadas por encima de la rueda izquierda delantera y trasera (Figura 16).

1. Tire cuidadosamente de la palanca de ajuste de altura hacia afuera en dirección a la rueda (la cortadora de césped tenderá a caer cuando se mueve la palanca hacia afuera).

**NOTA:** Las palancas de ajuste de altura delantera y trasera se mueven en dirección opuesta para ajustar la altura de corte.

2. Para cambiar la altura de corte, mueva la palanca a la posición deseada.
3. Suelte la palanca hacia la plataforma.

**IMPORTANTE:** Para evitar un corte desparejo, todas las ruedas deben colocarse en la misma posición de altura de corte. Cuando el terreno es agreste o irregular, mueva cada palanca de ajuste de altura a una posición más alta. Esto evitará que corte el césped demasiado cerca del suelo.

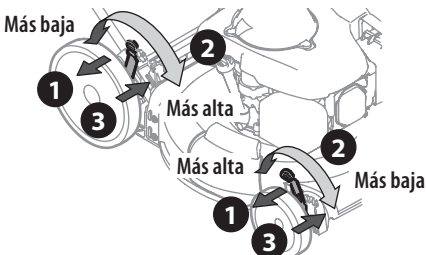


Figura 16

## Ajuste de la Inclinación de la Manija (si se incluye)

Para conveniencia de funcionamiento, usted puede ajustar la inclinación de la manija. Proceda de una de las siguientes maneras.

### MANIJAS EXTRAÍBLES

1. Retire las perillas o tuercas de mariposa y pernos de cabeza redonda de la manija (Figura 17).
2. Coloque la manija en una de las tres posiciones que sea más cómoda. Vea el recuadro de la Figura 17.
3. Fíjela en su posición con las dos perillas o tuercas de mariposa y pernos de cabeza redonda retirados en el Paso 1.

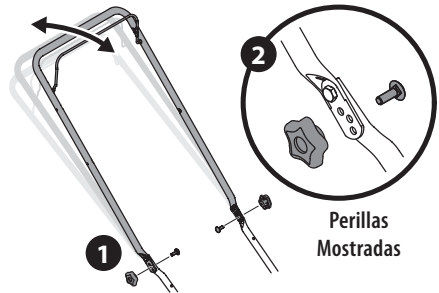


Figura 17

### MANIJAS DE ALMACENAMIENTO VERTICAL

1. Destrabe las dos palancas de liberación de manija. Vea el recuadro de la Figura 18.
2. Mueva la manija superior (a) para alinear el indicador de posición (b) con la posición más cómoda de las tres posiciones de manija (c).
3. Trabe las dos palancas de liberación de manija. Vea el recuadro de la Figura 18.

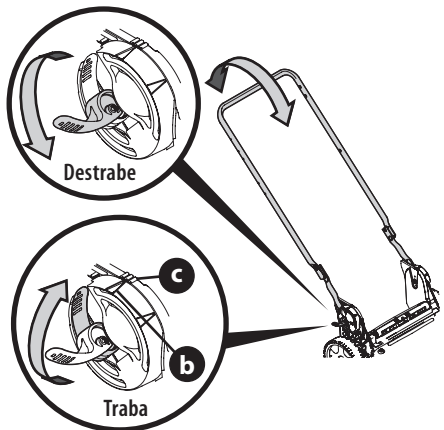


Figura 18

# FUNCIONAMIENTO

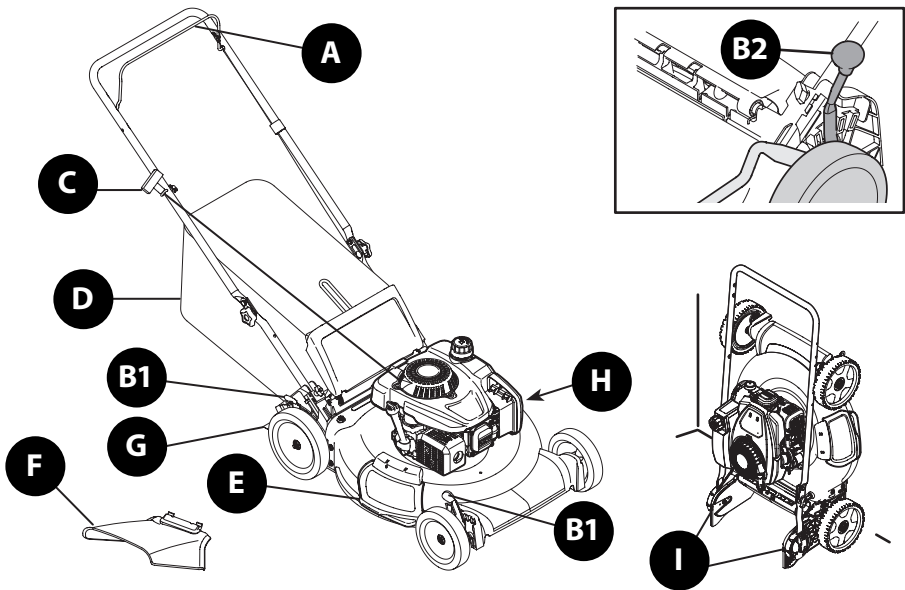


Figura 19

## Características

### A. CONTROL DE LA CUCHILLA

El control de la cuchilla está unido a la manija superior de la cortadora. Para hacer funcionar la cortadora de césped, presione el control de la cuchilla contra la manija superior. Para detener la cuchilla y el motor, suelte el control de la cuchilla.

#### **⚠ ADVERTENCIA**

El control de la cuchilla es un dispositivo de seguridad. Nunca intente anular su funcionamiento.

### B. PALANCA DE AJUSTE DE ALTURA DE CORTE

Hay dos configuraciones de ajuste de la altura de corte.

- 1. Palanca Doble** - Las palancas de ajuste de altura de corte de palanca doble están ubicadas por encima de las ruedas derechas delantera y trasera. Para ajustar la altura de corte, consulte Ajuste de la Altura de Corte en la página 25.
- 2. Palanca Simple** - La palanca de ajuste de altura de corte se ubica por encima de la rueda izquierda trasera. Para ajustar la altura de corte, consulte Ajuste de la Altura de Corte en la página 25.

### C. ARRANCADOR DE RETROCESO

El arrancador de retroceso está adosado a la manija superior derecha. Para encender la cortadora, párese detrás de la misma y mientras sostiene el control de la cuchilla hacia abajo, tire de la manija del arrancador de retroceso.

### D. COLECTOR DE CÉSPED (SI SE INCLUYE)

El colector de césped, ubicado en la parte trasera de la cortadora, se usa para embolsar los recortes del césped para desecharlos. Cuando se llena la bolsa, retírela a través de las manijas y vacíela antes de seguir cortando.

### E. ADAPTADOR PARA ABONO (SI SE INCLUYE)

El adaptador para abono se utiliza únicamente para propósitos de abono. En lugar de recolectar los recortes de césped en un colector de césped, la cortadora tiene la opción de recircular los recortes y enviarlos nuevamente al césped. Esto se llama abonar.

### F. CUBIERTA DE DESCARGA LATERAL (SI SE INCLUYE)

Su cortadora se envía como abonadora. Para descargar los recortes de césped hacia al costado, siga las instrucciones de la página 24 en la sección Montaje para adosar la cubierta de descarga lateral.

#### **⚠ WARNING**

Mantenga sus manos y pies alejados del área de la tolva sobre la plataforma de corte. Consulte la etiqueta de advertencia que está en la unidad.

### G. ESCUDO POSTERIOR

El escudo posterior se adosa a la parte trasera de la cortadora para proteger al operador contra deshechos expulsados. No utilice la cortadora de césped a menos que el escudo esté en buen estado e instalado.

# FUNCIONAMIENTO

## H. LAVADO DE LA PLATAFORMA (SI SE INCLUYE)

La plataforma de su cortadora puede estar equipada con un pico de lavado de plataforma de sujeción rápida como parte del sistema de lavado de plataforma. Utilice el sistema de lavado de plataforma para quitar los recortes de césped de la parte inferior de la plataforma.

## I. ALMACENAMIENTO VERTICAL (SI SE INCLUYE)

Esta característica permite plegar la manija hacia adelante y la cortadora de césped inclinada hacia atrás para almacenarla verticalmente.

### ADVERTENCIA

Almacenar en posición vertical una cortadora que no cuenta con la función de almacenamiento vertical puede causar daños al motor o bien una fuga de combustible o aceite.

Únicamente las cortadoras que tienen la función de almacenamiento vertical incluyen un motor que puede almacenarse en posición vertical.

## Llenado de Gasolina y Aceite

**IMPORTANTE:** Consulte en el Manual del Operador del Motor información adicional sobre el motor.

Esta cortadora de césped se envía sin gasolina (combustible) ni aceite en el motor. Antes de poner en marcha u operar su cortadora de césped, asegúrese de cargar el motor con gasolina y aceite como se indica.

1. Agregue el aceite provisto antes de arrancar la cortadora de césped la primera vez, como se indica en el Manual del Operador del Motor.
2. Llene el motor con gasolina como se indica en el Manual del Operador del Motor.

### ADVERTENCIA

Tenga mucho cuidado al trabajar con gasolina. La gasolina es sumamente inflamable y sus vapores son explosivos. Nunca agregue combustible a la máquina en espacios cerrados ni mientras el motor está caliente o funcionando. Apague cigarrillos, cigarras, pipas y otras fuentes de ignición.

## Para Encender el Motor

### WARNING

Asegúrese de que ninguna persona aparte del operador permanezca cerca de la cortadora de césped mientras arranca el motor u opera la misma. Nunca encienda el motor en interiores o en espacios cerrados o con poca ventilación. El escape del motor contiene monóxido de carbono, un gas inodoro y letal. Mantenga las manos, los pies, el cabello y la ropa suelta alejados de las partes móviles del motor y de la cortadora.

Consulte el Manual del Operador del Motor para obtener instrucciones sobre cómo arrancar y parar el motor.

## Para Detener el Motor

Suelte la manija de control de la cuchilla para detener el motor y la cuchilla.

### ADVERTENCIA

Espera a que la cuchilla se haya detenido por completo antes de hacer cualquier trabajo en la cortadora o de retirar el colector de césped.

Compruebe que el tiempo de detención de la cuchilla esté dentro de los 3 segundos. Si la cuchilla no se detiene al cabo de 3 segundos, contáctese con su Centro de Atención.

## Uso de la Cortadora de Césped

Asegúrese de que el césped está libre de piedras, palos, cables u otros objetos que pudiesen dañar la cortadora o el motor. Dichos objetos pueden ser arrojados accidentalmente por la cuchilla en cualquier dirección y provocar lesiones personales graves al operador y asistentes.

### ADVERTENCIA

Al hacer funcionar la cortadora de césped puede ser que se arrojen objetos extraños a los ojos, lo cual puede dañarlos gravemente. Utilice siempre anteojos de seguridad durante la operación de la cortadora o mientras la ajusta o repara.

## Uso de la Cortadora como Abonadora

Para abonar el césped, quite el colector de césped de la cortadora. Cuando retira el colector de césped de la cortadora, deje que la puerta de descarga trasera se cierre por completo. Para un abono eficiente, no corte césped húmedo. Si el césped ha crecido más de cuatro pulgadas, no se recomienda abonar. En ese caso, use el colector de césped para embolsar los recortes.

## Uso de la Cortadora de Césped con Colector de Césped

Puede utilizar el colector de césped para recoger recortes mientras opera la cortadora.

1. Acople el colector de césped siguiendo las instrucciones de la sección de Montaje. Los recortes de césped son recolectados en la bolsa de forma automática. Opere la cortadora hasta que la bolsa de recolección esté llena.
2. Detenga el motor soltando la manija de control de la cuchilla. Compruebe que el motor se haya detenido por completo.
3. Para retirar la bolsa, levante la puerta de descarga trasera y tire de la bolsa de recolección hacia arriba, apartándola de la cortadora. Deseche los recortes de césped y vuelva a colocar la bolsa cuando haya terminado.

# FUNCIONAMIENTO

## ⚠ ADVERTENCIA

Si golpea un objeto extraño, detenga el motor. Desconecte el cable de la bujía, inspeccione detenidamente la cortadora para ver si hay daños, y repare el daño antes de volver a encenderla y hacerla funcionar. El exceso de vibración de la cortadora durante el funcionamiento es una indicación de daño. Se debe inspeccionar y reparar la cortadora lo antes posible.

## Almacenamiento Vertical de la Cortadora (si se incluye)

## ⚠ ADVERTENCIA

Almacenar en posición vertical una cortadora que no cuenta con la función de almacenamiento vertical puede causar daños al motor o bien una fuga de combustible o aceite.

Únicamente las cortadoras que tienen la función de almacenamiento vertical incluyen un motor que puede almacenarse en posición vertical.

No almacene la cortadora en el exterior o en zonas húmedas. Almacene la cortadora en una zona limpia y seca.

## ⚠ ADVERTENCIA

Deje que el motor se enfríe antes de limpiar o almacenar la unidad.

**IMPORTANTE:** Antes de almacenar la cortadora de césped en posición vertical, verifique que el nivel de combustible esté en el nivel de llenado recomendado o por debajo del mismo. Consulte el Manual del Operador del Motor.

1. Usando aire comprimido o un trapo seco, limpie el exterior de la cortadora y quite la suciedad que pueda estar acumulada alrededor del motor.
2. Si se incluye, quite la llave de encendido.
3. Destrabe las dos palancas de liberación de manija. Vea el recuadro de la Figura 20.
4. Pliegue la manija (b) hacia adelante hasta la posición de almacenamiento (Figura 20).
5. Trabe las dos palancas de liberación de manija. Vea el recuadro de la Figura 20.

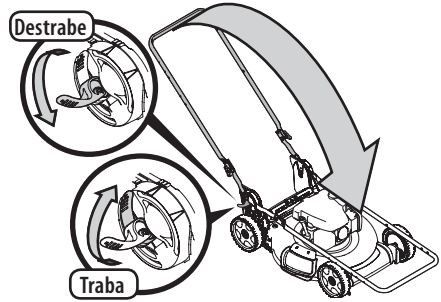


Figura 20

6. Levantando de la manija (a), incline la cortadora hacia arriba sobre las ruedas traseras y hacia atrás del soporte de la manija (b) (Figura 21).
7. Posicione la cortadora de modo que la cuchilla quede mirando hacia la pared.

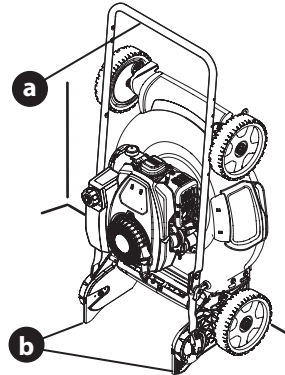


Figura 21

## PARA SACAR LA CORTADORA DEL ALMACENAMIENTO

## ⚠ ADVERTENCIA

Al usar la cortadora de césped o desplegar la manija, no ponga las manos o los pies cerca o debajo de la plataforma de corte. De lo contrario, podrían producirse lesiones graves.

Para evitar el arranque accidental del motor de la cortadora de césped cuando se despliega la manija, no sujete el control de la cuchilla contra la manija superior. De lo contrario, podrían producirse lesiones graves.

1. Sosteniendo la cortadora de césped por su manija superior, apoye con suavidad la cortadora en el suelo sobre sus cuatro ruedas.
2. Para desplegar la manija, destrabe las dos palancas de liberación de la manija (recuadro, Figura 38) y realice los PASOS 5-8 de MONTAJE, Manija de Almacenamiento Vertical en la page 25.

# SERVICIO Y MANTENIMIENTO

## ⚠ ADVERTENCIA

Antes de realizar cualquier tipo de mantenimiento o servicio, desactive todos los controles y detenga el motor. Espere a que se detengan completamente todas las piezas móviles. Deje que el motor se enfríe. Desconecte el cable de la bujía de encendido y póngalo haciendo masa contra el motor para evitar que se encienda accidentalmente.

### Recomendaciones Generales

- Respete siempre las reglas de seguridad que figuran sobre la cortadora y en el manual cuando realice cualquier tarea de mantenimiento.
- La garantía de esta cortadora no cubre elementos que hayan sido objeto de abuso o negligencia. Para recibir el reembolso total de la garantía, el operador deberá mantener la cortadora como se indica en este manual.
- El cambio de la velocidad controlada del motor invalidará la garantía del motor.
- Antes de cada uso y antes de almacenarla fuera de temporada, verifique que todos los elementos de ferretería estén instalados y ajustados.

### Lubricación

#### CONTROL DE LA CUCHILLA

Lubrique con aceite ligero los puntos de pivote del control de la cuchilla al menos una vez por estación y antes de almacenarla. Este control debe funcionar libremente en ambas direcciones (Figura 22).

#### RUEDAS

Lubrique con aceite ligero todos los cubos/ejes de ruedas una vez por estación y antes de almacenar la cortadora (Figura 22).

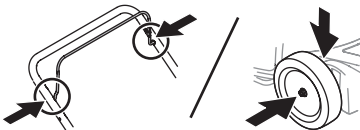


Figura 22

### Mantenimiento del Motor

Anualmente, revise el torque de los pernos de montaje del motor: Mín. 29.2 pies-libras (39.6 N-m), Máx. 41.7 pies-libras (56.3 N-m).

Consulte el Manual del Operador del Motor que viene con su cortadora para obtener una descripción detallada de todas las especificaciones de servicio relacionadas con el motor y el almacenamiento.

Si el motor funciona errático, sobrecalienta, saltea (titubea) o no ralentiza bien, consulte el Manual del Operador del Motor.

**IMPORTANTE:** Controle el nivel de aceite del motor antes de cada uso. Consulte el Manual del Operador del Motor.

### LIMPIEZA DEL MOTOR

- Antes de cada uso, limpie el césped, la grasa o los residuos acumulados del motor. Mantenga limpios el varillaje, los resortes y los controles. Mantenga el área que rodea al silenciador y que está detrás del mismo libre de cualquier residuo combustible.
- El mantenimiento del motor en condiciones limpias permite el movimiento de aire alrededor del mismo.
- Las piezas del motor se deben mantener limpias para reducir el riesgo de sobrecalentamiento e ignición de los residuos acumulados.

## ⚠ PRECAUCIÓN

No use agua para limpiar las piezas del motor. El agua puede contaminar el sistema de combustible. Use un cepillo o paño seco.

### Mantenimiento de la Cortadora

#### LAVADO DE LA PLATAFORMA (SI SE INCLUYE)

La plataforma de su cortadora podría venir con un sistema de lavado de plataforma. Utilice el sistema de lavado de plataforma para lavar la parte inferior de la plataforma e impedir la acumulación de sustancias corrosivas. Realice los siguientes pasos DESPUÉS DE CADA CORTE DE CÉSPED:

1. Empuje la cortadora hasta un lugar nivelado y despejado de su jardín o patio. Asegúrese de que la manguera del jardín pueda llegar a la cortadora.

## ⚠ PRECAUCIÓN

Asegúrese de que la tolva de descarga de la cortadora esté orientada ALEJADA de la casa, garaje, vehículos estacionados, etc.

2. Retire de la plataforma de la cortadora el pico de lavado de plataforma de sujeción rápida y enrósquelo en el extremo de su manguera de jardín.
3. Conecte la manguera de jardín con el pico de lavado de plataforma al puerto de agua que está sobre la superficie de su plataforma (Figura 23).
4. Abra el suministro de agua.

# SERVICIO Y MANTENIMIENTO

- Encienda el motor, tal como se indica en el Manual del Operador del Motor.
- Haga funcionar el motor durante dos minutos por lo menos para permitir que se seque totalmente la parte inferior de la plataforma de corte.
- Suelte la manija de control de la cuchilla para detener el motor y la cuchilla.
- Desconecte el agua y retire el pico de lavado de plataforma del puerto de agua que se encuentra en la superficie de la plataforma.
- Luego de limpiar la plataforma, vuelva a arrancar la cortadora. Mantenga el motor y la cuchilla en funcionamiento durante dos minutos por lo menos para permitir que se seque totalmente la parte inferior de la plataforma de corte.

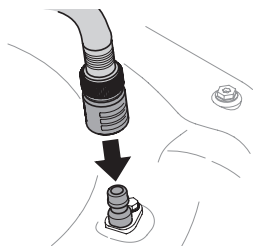


Figura 23

## LIMPIEZA DE LA PLATAFORMA

Al menos una vez por temporada y antes del almacenamiento, limpie la parte inferior de la plataforma de la cortadora de césped para prevenir la acumulación de recortes de césped u otros desechos.

- Deje el motor en marcha hasta que se acabe el combustible. No intente verter combustible del motor. Desconecte el cable de la bujía. Consulte el Manual del Operador del Motor.
- Gire la cortadora de césped sobre su costado, manteniendo el silenciador hacia abajo y verificando que el filtro de aire y el carburador queden mirando hacia arriba. Sostenga firmemente la cortadora.
- Raspe y limpie la parte inferior de la plataforma con una herramienta adecuada. No la rocíe con agua.

**IMPORTANTE:** No utilice una lavadora a presión o manguera de jardín para limpiar su cortadora. Pueden producir daños a los cojinetes o al motor. El uso de agua acortará la vida útil de la máquina y reducirá su capacidad de servicio.

- Vuelva a colocar la cortadora de césped sobre sus ruedas en el suelo.

## Cuidado de las Cuchillas

### ⚠ ADVERTENCIA

Espere a que la cuchilla se haya detenido por completo antes de hacer cualquier trabajo en la cortadora o de retirar el colector de césped.

Compruebe que el tiempo de detención de la cuchilla esté dentro de los 3 segundos. Si la cuchilla no se detiene al cabo de 3 segundos, contáctese con su Centro de Atención.

### ⚠ ADVERTENCIA

Cuando saque la cuchilla de corte para afilarla o reemplazarla, protéjase las manos usando un par de guantes gruesos o un trapo grueso para sostener la cuchilla.

Anualmente, revise el torque de los pernos de montaje de la cuchilla de la cortadora: Mín. 37.5 pies-libras (50.8 N-m), Máx. 50.0 pies-libras (67.8 N-m).

Inspeccione periódicamente la cuchilla y el adaptador de la cuchilla en busca de pandeos o rajaduras, especialmente cuando golpee un objeto extraño o tiene una vibración excesiva. Reemplace según necesidad. Para realizar el mantenimiento de la cuchilla, siga los siguientes pasos:

- Deje el motor en marcha hasta que se acabe el combustible. No intente verter combustible del motor.
- Desconecte el cable de la bujía. Consulte el Manual del Operador del Motor.
- Gire la cortadora de césped sobre su costado, manteniendo el silenciador hacia abajo y verificando que el filtro de aire y el carburador queden mirando hacia arriba.
- Retire el perno (a) y el soporte de campana de la cuchilla (b) que sostienen la cuchilla y el adaptador al cigüeñal del motor (Figura 24).
- Retire la cuchilla (d) y el adaptador de la cuchilla (d) del cigüeñal (Figura 24).

# SERVICIO Y MANTENIMIENTO

6. Saque la cuchilla del adaptador para comprobar el centrado.
  - a. Centre la cuchilla sobre un destornillador de eje redondo para inspeccionarla.
  - b. Saque metal del lado pesado hasta que quede bien centrada.

**NOTA:** Cuando afile la cuchilla, siga el ángulo original de afilado como guía. Afíle cada borde de corte por igual para mantener centrada la cuchilla.

## ▲ ADVERTENCIA

Si la cuchilla está descentrada causará demasiada vibración al rotar a altas velocidades. Puede producir daños al motor y la cuchilla se puede romper causando así lesiones personales.

7. Lubrique el cigüeñal del motor y la superficie interna del adaptador de la cuchilla con aceite ligero. Vea el recuadro de la Figura 24.
  - a. Deslice el adaptador de la cuchilla (d) en el cigüeñal del motor.
  - b. Instale la cuchilla en el adaptador de modo tal que el lado marcado "Grass Side" (lado del césped) (o con el número de pieza) quede mirando hacia el piso cuando la cortadora de césped está en posición de funcionamiento.
  - c. Asegúrese de que la cuchilla quede alineada y asentada en las bridas del adaptador.

8. Coloque el soporte de campana (b) sobre la cuchilla (c). Alinee las muescas del soporte de campana de la cuchilla con los orificios pequeños de la cuchilla.
9. Vuelva a colocar el perno hexagonal (a) y ajústelo según los siguientes valores de torsión: Mín. 37.5 pies-libras (50.8 N-m), Máx. 50.0 pies-libras (67.8 N-m).

**NOTA:** Para garantizar la operación segura de su cortadora de césped, revise periódicamente el perno de la cuchilla para determinar si está bien ajustado.

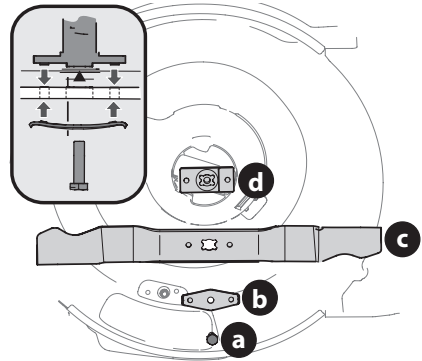


Figura 24

# MANUEL DE L'UTILISATEUR

## Tondeuse poussée

### Identification du produit

Avant de préparer et d'utiliser votre tondeuse, veuillez localiser la plaque signalétique et reporter les renseignements dans la section à droite. Pour trouver la plaque, tenez-vous derrière l'appareil et regardez vers le bas à l'arrière du plateau. Ces renseignements sont nécessaires lorsque vous cherchez de l'aide technique, soit sur notre site Web, soit auprès de notre service à la clientèle ou du concessionnaire agréé de votre région.

### Numéro de modèle

### Numéro de série

### AVERTISSEMENT

Lisez attentivement les consignes de sécurité et les instructions de montage et de fonctionnement avant d'utiliser cet appareil afin d'écartier tout risque d'accident et de blessure. **CONSERVEZ CES INSTRUCTIONS.**

### AVERTISSEMENT

#### PROPOSITION 65 DE LA CALIFORNIE

Les gaz d'échappement du moteur ainsi que certains éléments de l'appareil contiennent des substances considérées par l'État de Californie comme étant cancérigènes et pouvant provoquer des anomalies congénitales ainsi que d'autres effets nuisibles à la reproduction.

**NOTE :** Ce manuel est commun à plusieurs modèles dont les caractéristiques peuvent différer du vôtre, de même que le modèle illustré.



# CONSIGNES DE SÉCURITÉ IMPORTANTES

## ⚠ AVERTISSEMENT



Les consignes importantes sont précédées de ce symbole. Si vous ne les respectez pas, vous risquez de vous blesser grièvement ou de causer des dommages matériels. Veuillez lire et respecter toutes les instructions du présent manuel avant d'utiliser cet appareil afin d'écartier tout risque d'accident et de blessure.

Lorsque vous voyez ce symbole, **RESPECTEZ L'AVERTISSEMENT !**

## ⚠ DANGER

Cet appareil doit être utilisé conformément aux consignes de ce manuel. Comme pour tout type d'équipement motorisé, la négligence ou une erreur de la part de l'utilisateur peut provoquer des blessures nécessitant une amputation des doigts, des mains ou des pieds ou encore projeter des objets. Il est donc impératif de respecter scrupuleusement les consignes de sécurité énoncées.

### INFORMATIONS GÉNÉRALES

1. Veuillez lire attentivement toutes les instructions indiquées sur l'appareil et dans les manuels avant d'utiliser ce dernier. Conservez ce manuel pour pouvoir le relire ou commander des pièces de rechange.
2. Familiarisez-vous avec les commandes et le fonctionnement de votre appareil avant de vous en servir.
3. L'âge minimum pour pouvoir utiliser cette tondeuse est de 14 ans. Si vous souhaitez permettre à des enfants de plus de 14 ans de tondre la pelouse, lisez d'abord les consignes de sécurité et d'utilisation avec eux, montrez-leur comment faire et exigez qu'un adulte soit présent en tout temps.
4. Ne confiez votre tondeuse qu'à des adultes responsables, qui savent s'en servir.
5. Rangez la tondeuse dans un endroit propre et sec. Ne l'entreposez pas près des matières corrosives comme les engrais.
6. Soyez prudent et faites preuve de bon sens en tout temps : ce manuel ne peut couvrir toutes les situations susceptibles de survenir lorsque vous utilisez votre tondeuse. Si vous avez besoin d'aide, communiquez avec notre service à la clientèle.
7. La durée de vie moyenne de votre tondeuse est de sept (7) ans d'après la Commission américaine pour la sécurité des produits de consommation de consommation des États-Unis (U.S. Consumer Products Safety Commission) et l'Agence américaine de protection de l'environnement (U.S. Environmental Protection Agency). À ce terme, faites impérativement vérifier les mécanismes et dispositifs de sécurité tous les ans par un centre de service agréé. Vous risquez un accident grave voire mortel si vous ne le faites pas.
3. Ne dirigez jamais le côté où sont éjectés les débris d'herbe vers d'autres personnes.
4. Portez toujours des lunettes de sécurité pour tondre ou pour effectuer un réglage ou une réparation. Vos yeux sont particulièrement vulnérables aux projections.
5. Portez des chaussures robustes à semelles épaisses et des vêtements bien ajustés et évitez les bijoux. Portez de préférence des chaussures à embout d'acier ainsi que des vêtements longs.
6. Ne tondez jamais pieds nus ou en sandales.
7. Ne remplissez pas le réservoir à ras bord : l'essence se dilate en chauffant, alors laissez un espace d'environ un pouce (2,5 cm) sous le col de remplissage.
8. Veillez à remettre correctement le bouchon du réservoir lorsque vous avez terminé.
9. N'utilisez que des pièces d'origine et accessoires homologués. Si vous ajoutez un accessoire, lisez bien son manuel d'utilisation.

### UTILISATION

1. Statistiquement, les utilisateurs de tondeuses de 65 ans ou plus sont plus susceptibles d'avoir un accident avec leur tondeuse. Par conséquent, nous vous recommandons de bien évaluer votre aptitude à utiliser cet appareil sans vous mettre en danger ni risquer de blesser d'autres personnes.
2. Beaucoup de blessures surviennent lorsque l'utilisateur, en glissant ou en trébuchant, renverse la tondeuse qui lui passe sur le pied. Ne vous retenez pas à la tondeuse si vous tombez; relâchez immédiatement la poignée.
3. Ne tirez jamais la tondeuse vers vous lorsque vous tondez la pelouse. Si vous devez faire reculer la tondeuse, regardez vers le sol et derrière vous. Suivez les étapes ci-dessous :
  - a. Éloignez-vous de la tondeuse jusqu'à ce que vous puissiez complètement tendre les bras.
  - b. Assurez-vous d'être en équilibre et d'avoir une bonne prise au sol.
  - c. Faites reculer la tondeuse lentement en prenant soin de garder une distance d'une demi-longueur de bras entre l'appareil et vous.
  - d. Répétez ces étapes au besoin.

### AVANT D'UTILISER LE TRACTEUR

1. Examinez soigneusement la pelouse avant de tondre. Ramassez les pierres, brindilles, fils, os, jouets et autres objets qui pourraient être projetés ou sur lesquels vous pourriez trébucher. Les objets projetés peuvent causer de graves blessures.
2. Pour éviter tout contact avec les lames et toute blessure causée par une projection, demeurez toujours derrière l'appareil en marche et ne permettez à personne de s'approcher à moins de 23 mètres (75 pieds). Personne ne doit s'approcher de la zone de travail. Coupez le moteur dès que quelqu'un s'approche.

# CONSIGNES DE SÉCURITÉ IMPORTANTES

- N'embrayez pas la commande d'entraînement (si votre modèle en possède une) lorsque vous démarrez le moteur.
- La commande de la lame est un dispositif de sécurité. Ne modifiez pas ce dispositif, car cela peut compromettre le fonctionnement de l'appareil et entraîner de graves blessures. Cette commande doit se déplacer facilement dans les deux directions et revenir automatiquement à la position désengagée une fois relâchée. La lame de coupe continue à tourner pendant quelques secondes après que la commande de la lame ait été relâchée. Assurez-vous que la lame est complètement arrêtée avant d'effectuer un réglage ou une réparation.
- Si l'appareil commence à vibrer de façon anormale, arrêtez immédiatement le moteur et recherchez la cause. Les vibrations sont généralement signe de problèmes.
- N'utilisez jamais la tondeuse si le couvercle d'éjection, le sac à herbe, la commande de la lame et tout autre dispositif de sécurité ne sont pas installés. N'utilisez jamais la tondeuse si les dispositifs de sécurité sont endommagés afin d'éviter tout risque d'accident et de blessure.
- Pour démarrer le moteur, tirez lentement la poignée du lanceur à rappel jusqu'à ce que vous sentiez une légère résistance, puis tirez rapidement la poignée. La rétraction rapide de la corde de démarrage risque de tirer votre main et votre bras vers le moteur plus vite qu'il n'est possible de relâcher la poignée. Ceci peut causer de graves blessures (fracture d'os, contusion, entorse, etc.).
- N'approchez pas les pieds ou les mains ni des lames, ni du dessous du plateau de coupe : vous pourriez vous blesser grièvement, au point de devoir subir une amputation.
- Faites attention aux trous, ornières, bosses, roches et autres objets. Faites aussi attention aux terrains accidentés ou aux objets non visibles, vous pouvez glisser ou tomber. L'herbe haute peut cacher des obstacles.
- Cet appareil est conçu pour une utilisation non-professionnelle. Il peut tondre un gazon de 17,5 cm (7 pouces) de haut au maximum. Il n'est pas fait pour tondre les hautes herbes (par ex. dans un pré) ou pour déchiqueter des tas de feuilles mortes.
- Calculez votre trajectoire de façon à éviter de projeter les brins coupés vers la rue, le trottoir, les passants, etc. Attention, les débris peuvent rebondir sur les murs ou autres obstacles et vous atteindre.
- Arrêtez le moteur et attendez que la lame soit immobilisée avant de retirer le sac à herbe ou de déboucher la goulotte. La lame de coupe continue à tourner pendant quelques secondes après que la commande de la lame ait été relâchée. Assurez-vous que la lame est complètement arrêtée avant d'effectuer un réglage ou une réparation.
- Il est dangereux d'utiliser cet appareil sans son déflecteur d'éjection ou son bouchon de déchiquetage, ou avec un déflecteur ou un bouchon de déchiquetage endommagé.
- N'utilisez jamais la tondeuse si le couvercle d'éjection, le sac à herbe ou le bouchon de déchiquetage ne sont pas bien installés.
- Débrayez les lames dès que vous cessez de tondre et avant de vous engager sur le trottoir, sur la route ou sur du gravier.
- Tondez en plein jour ou avec un éclairage artificiel adéquat.
- N'utilisez pas cette tondeuse lorsque vous êtes sous l'empire de la boisson ou d'un médicament.
- Ne touchez pas le silencieux et le moteur, car ils deviennent chauds et pourraient vous brûler. Laissez le moteur refroidir pendant au moins cinq minutes avant d'effectuer un réglage ou une réparation.
- Ne laissez jamais le moteur tourner dans un lieu fermé ou mal aéré en raison de la présence de monoxyde de carbone, un gaz inodore très dangereux dans les gaz d'échappement.

## PRÉCAUTIONS RELATIVES AUX ENFANTS

- Redoublez de vigilance si vous avez des enfants. Ces derniers aiment bouger, peuvent se déplacer à tout moment à votre insu et sont souvent attirés par les appareils de jardin sans se rendre compte du danger, ce qui peut provoquer de très graves accidents.
- Les enfants doivent être sous la surveillance d'un adulte autre que l'utilisateur de l'appareil et ne doivent pas s'approcher de la zone de travail. Coupez le moteur dès que quelqu'un s'approche.
- Restez vigilant et arrêtez la tondeuse dès qu'un enfant s'approche de la zone de travail.
- L'âge minimum pour pouvoir utiliser cette tondeuse est de 14 ans. Si vous souhaitez permettre à vos enfants de plus de 14 ans de tondre la pelouse, lisez d'abord les consignes de sécurité et d'utilisation avec eux, montrez-leur comment faire et exigez qu'un adulte soit présent en tout temps.
- Cette tondeuse est un appareil de précision motorisé et non un jouet. Soyez très prudent en toutes circonstances. Cet appareil a été conçu pour tondre du gazon. Ne l'utilisez pas à d'autres fins.
- Soyez particulièrement vigilant à l'abord de virages masqués, portails, buissons, arbres etc. desquels les enfants peuvent surgir d'un coup.
- Ne laissez pas les enfants s'approcher du moteur en marche ou encore chaud ou du silencieux car ils risquent de se brûler.
- Après avoir arrêté le moteur, retirez la clé de démarrage (s'il y en a une) et gardez-la dans un lieu sûr, hors de la portée des enfants.

## UTILISATION SUR UNE PENTE

- Le risque de glisser et de renverser l'appareil dans une pente est beaucoup plus élevé que sur terrain plat et les blessures qui en résultent peuvent être très graves, voire mortelles. Vous devez donc redoubler de vigilance même dans les pentes douces. Ne vous engagez pas sur une pente si vous ne vous sentez pas à l'aise.
- Par mesure de sécurité, mesurez toute pente à tondre avec l'inclinomètre de ce manuel avant de vous y engager avec la tondeuse. Utilisez aussi un dispositif de mesure pour déterminer la pente à tondre avant d'utiliser l'appareil. Vous pouvez aussi utiliser les applications pour téléphone pour mesurer les pentes. Évitez impérativement les pentes dont l'inclinaison est supérieure à 15° (25 %) car les risques d'accident grave y sont très élevés.
- Ne tondez pas sur des pentes avec une inclinaison supérieure à 15° (25 %).

# CONSIGNES DE SÉCURITÉ IMPORTANTES

4. Travaillez perpendiculairement à la pente, et non dans le sens de la pente.
5. Tournez toujours vers le haut de la pente, la tondeuse peut accélérer lorsque vous effectuez un virage en descendez la pente. Vous devez toujours avoir le contrôle de l'appareil.
6. Ne tondez pas si la pelouse est mouillée. La traction réduite peut causer un glissement et une perte de contrôle.
7. N'utilisez pas la tondeuse si sa traction, sa stabilité ou sa conduite sont remises en question. Veillez à conserver votre équilibre. Une chute peut entraîner de graves blessures. Si vous perdez l'équilibre, relâchez immédiatement la commande de la lame; la lame s'arrêtera en moins de trois secondes.
8. Ne vous approchez pas à moins d'un mètre (3 pieds) des rebords surélevés, des fossés, des remblais ou des rives. Vous risquez d'y tomber.
12. Ne remplissez jamais les bidons à l'intérieur d'un véhicule ou encore à l'arrière d'un camion ou d'une remorque à plancher de plastique. Placez toujours les bidons par terre et loin de votre véhicule pour les remplir.
13. Déchargez l'appareil et faites le plein par terre dans la mesure du possible. Si cela n'est pas possible, faites le plein avec un bidon plutôt que directement du pistolet distributeur.
14. Posez le pistolet du distributeur sur le rebord du réservoir ou du bidon pour faire le plein et ne le bloquez pas en position ouverte.

## ENTRETIEN

1. Gardez la tondeuse en bon état de fonctionnement. Remplacez les pièces usées ou endommagées.
  2. Un accident grave ou fatal peut résulter d'une modification du moteur, quelle qu'elle soit. Toute modification apportée au régulateur de vitesse peut provoquer l'emballement du moteur et accélérer dangereusement sa vitesse en état de marche. Ne modifiez jamais cet élément. Ne modifiez pas le réglage du régulateur de vitesse et ne faites pas tourner le moteur à une vitesse excessive. Le régulateur maintient le moteur au meilleur régime.
  3. Les lames sont très tranchantes et doivent être manipulées prudemment. Enveloppez-les dans un chiffon ou portez des gants.
  4. Avant de nettoyer, de réparer ou d'examiner l'appareil, vérifiez que toutes les pièces mobiles, y compris la lame, sont immobilisées. Débranchez le fil de bougie et mettez-le à la masse contre le moteur pour empêcher ce dernier de démarrer.
  5. Les lames doivent s'immobiliser en trois (3) secondes lorsque vous les débrayez. Si ce n'est pas le cas, confiez votre appareil à un concessionnaire agréé pour y remédier. Vérifiez régulièrement leur bon fonctionnement selon les instructions de la section Révision et entretien.
  6. Surveillez également le système de verrouillage de sécurité, dont le fonctionnement est décrit plus loin dans ce manuel. Si ce système ne fonctionne plus correctement, faites-le réparer par un concessionnaire.
  7. Ne modifiez jamais la commande de la lame et les autres dispositifs de sécurité. Vérifiez régulièrement leur bon fonctionnement selon les instructions de la section Révision et entretien.
  8. Vérifiez le serrage des lames et des boulons de montage du moteur selon les instructions de la section Révision et entretien. Pensez à vérifier l'état des lames. Si elles sont émoussées, tordues ou fissurées, remplacez-les par des lames d'origine.
  9. Attention, pour obtenir le meilleur de votre tondeuse et éviter les accidents dus à des pièces non conformes aux spécifications du fabricant, utilisez des pièces d'origine.
  10. Assurez-vous régulièrement que tous les écrous, boulons et vis sont bien serrés et en bon état selon les instructions de la section Révision et entretien.
- ## ESSENCE
1. Faites très attention lorsque vous manipulez de l'essence. **Ce liquide est extrêmement inflammable et dégage des vapeurs explosives.** Une simple éclaboussure sur la peau ou les vêtements peut s'enflammer et causer de graves brûlures. Nettoyez immédiatement toute éclaboussure sur la peau et changez de vêtements.
  2. Éteignez cigares, cigarettes, pipes et tout autre objet susceptible de s'enflammer.
  3. N'utilisez que des bidons d'essence homologués et certifiés par l'Agence américaine de protection de l'environnement (EPA), par le Bureau californien des ressources en air (CARB) ou par l'OSHA (Occupational Safety and Health Administration).
  4. N'ouvrez pas le réservoir si le moteur est allumé ou encore chaud. Laissez le moteur refroidir pendant au moins cinq minutes avant de faire le plein.
  5. Ne faites jamais le plein à l'intérieur.
  6. N'entreposez jamais l'appareil ou les bidons d'essence à proximité d'une flamme nue, d'étincelles ou d'une veilleuse (chauffe-eau, radiateur, sècheuse, appareils fonctionnant au gaz).
  7. En cas de débordement, essuyez l'essence sur le moteur et sur l'appareil. Essuyez les éclaboussures d'essence et d'huile et éliminez les débris souillés. Puis changez l'appareil de place et attendez cinq minutes avant de redémarrer le moteur.
  8. Pour limiter les risques d'incendie, retirez les brins d'herbe, feuilles et autres débris accumulés sur le moteur. Suivez les instructions de la section Révision et entretien pour nettoyer votre tondeuse.
  9. Ne remplissez pas le réservoir à ras bord : Laissez un espace d'environ 2,5 cm (1 pouce) sous le col de remplissage du réservoir pour permettre l'expansion de l'essence.
  10. Veillez à remettre correctement le bouchon du réservoir lorsque vous avez terminé.
  11. Laissez refroidir l'appareil pendant au moins cinq minutes avant de le ranger ou de faire le plein.

# CONSIGNES DE SÉCURITÉ IMPORTANTES

11. Si vous heurtez un objet, arrêtez immédiatement le moteur, débranchez le fil de bougie et mettez-le à la masse contre le moteur. Vérifiez l'état de la tondeuse et ne redémarrez pas si elle est endommagée.
12. Arrêtez impérativement le moteur avant d'effectuer un réglage ou une réparation.
13. Quand le sac à herbe ou le couvercle d'éjection sont usés ou cassés, les lames peuvent se trouver exposées, ce qui est dangereux et augmente le risque de blessures à cause de projections. Par mesure de sécurité, vérifiez souvent ces éléments. Si nécessaire, utilisez des pièces d'origine pour les remplacer. « Attention, pour obtenir le meilleur de votre tondeuse et éviter les accidents dus à des pièces non conformes aux spécifications du fabricant, utilisez des pièces d'origine. »
14. Les avertissements figurant sur vos équipements doivent toujours être lisibles. Remplacez-les si ce n'est plus le cas.
15. Respectez la législation sur l'élimination des déchets liquides (essence, huile, etc.) afin de préserver l'environnement.

## AVIS CONCERNANT LES ÉMISSIONS

Les moteurs certifiés conformes aux normes d'émission de la Californie et de l'Agence américaine de protection de l'environnement (EPA) pour équipements hors route (Small Off Road Equipment) sont conçus pour fonctionner à l'essence ordinaire sans plomb et peuvent être dotés des dispositifs antipollution suivants : modification du moteur (EM) et convertisseur catalytique à trois voies (TWC).

Certains modèles sont équipés de conduites et réservoirs à perméation faible pour limiter les émissions par évaporation. En Californie, certains modèles sont équipés d'un réservoir à charbon actif. Veuillez communiquer avec notre service de soutien technique pour tout renseignement concernant le contrôle des émissions par évaporation de votre modèle.

## PARE-ÉTINCELLES

### ⚠ AVERTISSEMENT

Cet appareil est équipé d'un moteur à combustion interne. Le pot d'échappement doit obligatoirement être équipé d'un pare-étincelles conforme à la législation provinciale et locale (le cas échéant) pour pouvoir être utilisé sur un terrain boisé non entretenu, broussailleux ou herbeux ou en bordure d'un tel terrain.

**L'utilisateur doit maintenir le bon fonctionnement du pare-étincelles, le cas échéant. Dans l'état de la Californie, la loi (article 4442, « California Public Resource Code ») exige l'utilisation d'un pare-étincelles. Il est possible que d'autres États aient des lois similaires. Les lois fédérales sont en vigueur sur les terres fédérales.**

**Vous pouvez vous procurer un pare-étincelles pour le silencieux auprès d'un centre de service agréé ou en contactant le service à la clientèle (MTD Products Limited, C. P. 1386 Kitchener, Ontario. N2G 4J1).**

## INCLINOMÈTRE (DERNIÈRE PAGE)

### ⚠ AVERTISSEMENT

Le risque de glisser et de renverser l'appareil dans une pente est beaucoup plus élevé que sur terrain plat et les blessures qui en résultent peuvent être très graves, voire mortelles. Vous devez donc redoubler de vigilance même dans les pentes douces. Ne vous engagez pas sur une pente si vous ne vous sentez pas à l'aise. Ne tondez pas sur des pentes avec une inclinaison supérieure à 15° (25 %). Travaillez perpendiculairement à la pente, et non dans le sens de la pente.








**PAR MESURE DE SÉCURITÉ, MESUREZ TOUTE PENTE À TONDRE AVEC L'INCLINOMÈTRE À LA DERNIÈRE PAGE DE CE MANUEL POUR ÉTABLIR SI LA PENTE EST TROP RAIDE !**

**Procédez comme suit pour vérifier l'inclinaison :**

1. Allez à la dernière page et pliez-la en suivant la ligne pointillée.
2. Cherchez un objet vertical sur la pente ou à l'arrière (un poteau, un bâtiment, une clôture, un arbre, etc.).
3. Alignez un côté de l'inclinomètre avec cet objet.
4. Réglez l'inclinomètre vers le haut ou vers le bas jusqu'à ce que le coin gauche touche la pente.
5. S'il y a un écart sous l'inclinomètre, la pente est trop raide pour une utilisation sans danger.

# SAFETY SYMBOLS

Vous trouverez ci-dessous les symboles de sécurité qui peuvent se trouver sur votre appareil. Veuillez lire attentivement toutes les instructions inscrites sur ce dernier avant de l'assembler et de l'utiliser.

Symboles	Description
	<p><b>AVERTISSEMENT – LISEZ LE(S) MANUEL(S) DE L'UTILISATEUR</b> Veuillez lire toutes les consignes de sécurité et toutes les instructions de ce manuel avant d'utiliser l'appareil afin d'écartier tout risque d'accident et de blessure. Conservez ce manuel en lieu sûr pour pouvoir le consulter ultérieurement et pour pouvoir commander des pièces de rechange.</p>
	<p><b>DANGER — RISQUE D'AMPUTATION</b> N'approchez pas les pieds ou les mains ni des lames, ni du dessous du plateau de coupe : vous pourriez vous blesser grièvement, au point de devoir subir une amputation.</p>
	<p><b>DANGER — RISQUE D'ÉCRASEMENT OU DE LAME TRCHANTE</b> N'utilisez pas l'appareil si des personnes, surtout des enfants, se trouvent à proximité. Pour éviter tout contact avec les lames et toute blessure causée par une projection, demeurez toujours derrière l'appareil en marche et ne permettez à personne de s'approcher à moins de 23 mètres (75 pieds). Personne ne doit s'approcher de la zone de travail. Coupez le moteur dès que quelqu'un s'approche.</p>
	<p><b>DANGER — RISQUE D'OBJETS PROJÉTÉS</b> Ne permettez à personne de s'approcher à moins de 23 mètres (75 pieds) de l'appareil en marche. Ramassez les pierres, brindilles, fils, os, jouets et autres objets qui pourraient être projetés ou sur lesquels vous pourriez trébucher. Il est dangereux d'utiliser cette tondeuse sans son déflecteur d'éjection ou sans son sac à herbe.</p>
	<p><b>DANGER — RISQUE DE TOMBER ET DE GLISSER</b> Le risque de glisser et de renverser l'appareil dans une pente est beaucoup plus élevé que sur terrain plat et les blessures qui en résultent peuvent être très graves, voire mortelles. Vous devez donc redoubler de vigilance même dans les pentes douces. Ne vous engagez pas sur une pente si vous ne vous sentez pas à l'aise. Ne tondez pas sur des pentes avec une inclinaison supérieure à 15° (25 %). Travaillez perpendiculairement à la pente, et non dans le sens de la pente.</p>
	<p><b>AVERTISSEMENT — ESSENCE, PRODUIT INFLAMMABLE</b> Laissez le moteur refroidir pendant au moins cinq minutes avant de faire le plein.</p>
	<p><b>AVERTISSEMENT – RISQUE DE BRÛLURE</b> Ne touchez pas le silencieux et le moteur, car ils deviennent chauds et pourraient vous brûler. Laissez le moteur refroidir pendant cinq minutes avant d'effectuer un réglage ou de remiser l'appareil.</p>

## ⚠ AVERTISSEMENT

Il est de votre responsabilité de vous assurer que seules des personnes capables de lire et de respecter les consignes de sécurité figurant sur la tondeuse et dans ce manuel utilisent votre appareil. **CONSERVEZ CES INSTRUCTIONS !**

# ASSEMBLAGE

**IMPORTANT :** Cette tondeuse est livrée sans essence et sans huile. Après avoir assemblé l'appareil, faites le plein d'essence et d'huile selon les instructions de la notice d'utilisation du moteur fournie avec l'appareil.

**NOTE :** Dans ce manuel, les mentions de droite et de gauche s'entendent à partir du poste de commande.

## Déballage

### OUVERTURE DE LA BOÎTE

1. Coupez les coins de la boîte de haut en bas.
2. Retirez tous les éléments :
  - Sac à herbe (si présent)
  - Huile à moteur.
3. Enlevez le matériel d'emballage.

### RETRAIT DE LA TONDEUSE DE LA BOÎTE

1. Levez l'arrière de la tondeuse, détachez-la du carton et poussez-la hors de la boîte.
2. Assurez-vous de retirer toutes les pièces de la boîte.

## Assemblage

Procédez comme suit pour assembler la tondeuse :

- **Assemblage du guidon**
  - Guidon standard : consultez la page 38.
  - Guidon rabattable (rangement vertical) : consultez la page 39.
- **Installation de la corde de démarrage**
- **Installation du sac à herbe (le cas échéant)**
- **Installation du déflecteur d'éjection (le cas échéant)**

**NOTE :** Après avoir assemblé la tondeuse, consultez les procédures de la section Réglages le cas échéant.

## Assemblage du guidon

### GUIDON STANDARD

1. Enlevez le matériel d'emballage qui se trouve entre la partie supérieure et la partie inférieure du guidon.
2. Retirez les boutons étoile ou les écrous papillon et les boulons de carrosserie du guidon. Voir Figure 1. Ne desserrez pas les autres boulons qui se trouvent à proximité et ne les retirez pas.

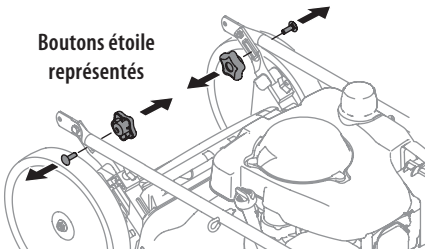


Figure 1

3. Assurez-vous que la tondeuse est stable, puis relevez la partie supérieure. Voir Figure 2. Veillez à ne pas pincer le câble de commande de la lame lorsque vous relevez le guidon.

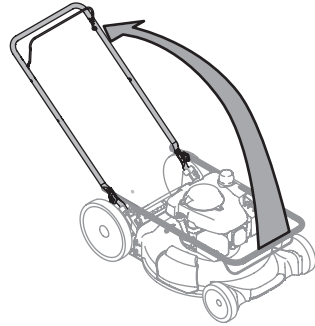


Figure 2

4. Retirez les boulons à oreilles des supports du guidon. Voir Figure 3.

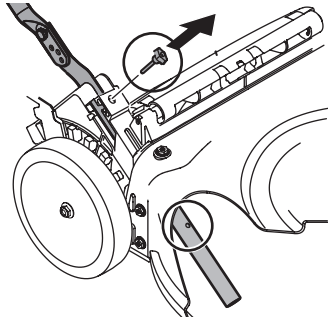


Figure 3

5. Tirez le guidon vers le haut jusqu'à ce que les trous de la partie inférieure (voir l'encadré de la Figure 3) s'alignent avec les trous des supports du guidon. Voir Figure 4.

**NOTE :** Veillez à ne pas faire sortir le guidon des supports lorsque vous le tirez vers le haut.

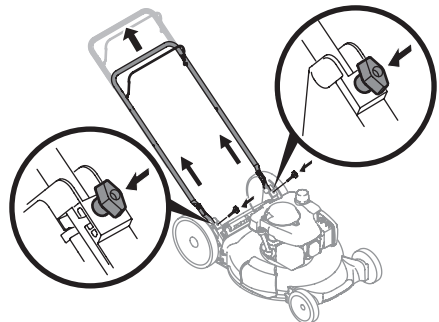


Figure 4

# ASSEMBLAGE

6. Insérez les boulons à oreilles retirés à l'étape 4 dans les supports du guidon et dans la partie inférieure. Voir Figure 4. Serrez bien les boulons pour fixer le guidon.
7. Remplacez les boutons étoile ou les écrous papillon et les boulons de carrosserie retirés à l'étape 2 dans les trous de la partie inférieure du guidon. Voir Figure 5.

## Boutons étoile représentés

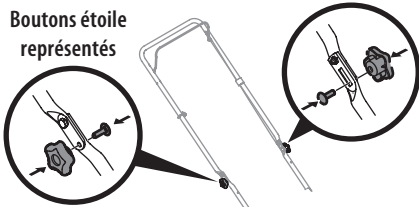


Figure 5

## GUIDON RABATTABLE (RANGEMENT VERTICAL)

1. Retirez les quatre boulons de carrosserie et les écrous de la partie inférieure. Voir Figure 6.

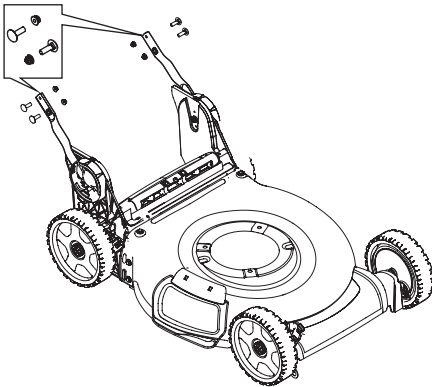


Figure 6

2. Abaissez les deux leviers de réglage pour les déverrouiller. Voir l'encadré de la Figure 7.
3. Assurez-vous que les parties inférieures du guidon pointent vers l'avant de la tondeuse.

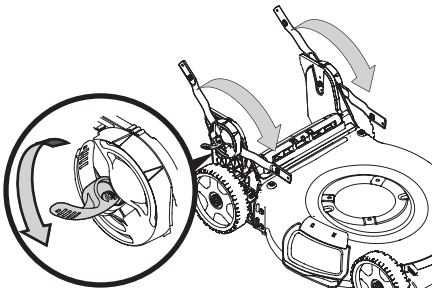


Figure 7

4. Utilisez les quatre boulons de carrosserie et les écrous retirés à l'étape 2 pour fixer les deux parties du guidon. Serrez bien la quincaillerie.

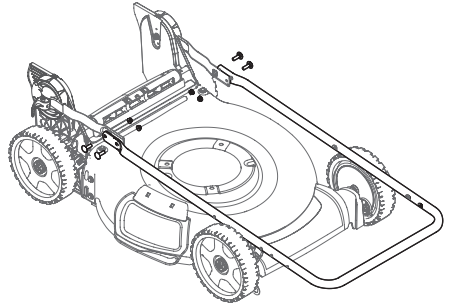


Figure 8

5. Assurez-vous que la tondeuse est stable, puis relevez la partie supérieure (a). Voir Figure 9. Veillez à ne pas pincer le câble de la commande de la lame lorsque vous relevez le guidon.
6. Lorsque vous relevez la partie supérieure du guidon, assurez-vous que l'indicateur (b) est aligné avec une des trois positions (c). Voir l'encadré de la Figure 9.
7. Relevez les deux leviers de réglage pour les verrouiller. Voir l'encadré de la Figure 9.
8. Vérifiez que toute la quincaillerie est bien serrée.

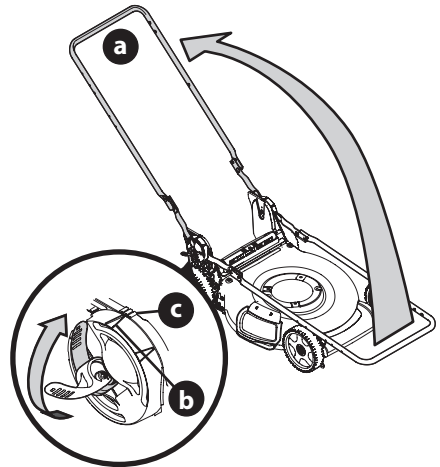


Figure 9

## Installation de la corde de démarrage

**NOTE :** Le guide-câble est fixé sur le côté droit de la partie supérieure du guidon. Desserrez l'écrou papillon retenant le guide-câble. Voir Figure 10.

**NOTE :** Tondeuses portant la mention « rangement vertical » : La bague d'arrêt placée sur la corde l'empêche d'être tirée vers le lanceur à rappel. Ne retirez pas cette bague.

1. Serrez la commande de la lame contre la partie supérieure du guidon.
2. Tirez lentement la poignée de la corde de démarrage placée sur le moteur, puis placez la corde dans le guide-câble.
3. Serrez l'écrou papillon du guide-câble

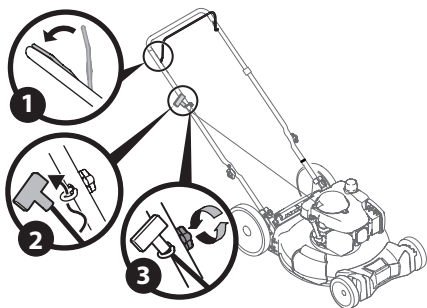


Figure 10

## Installation du sac à herbe (le cas échéant)

1. Procédez comme suit pour assembler le sac à herbe. Voir Figure 11.

**NOTE :** Avant d'assembler le sac à herbe, assurez-vous que l'étiquette d'avertissement du sac se trouve à l'extérieur.

- a. Vérifiez que le côté en plastique noir du sac se trouve en bas, puis installez le sac sur son support.
- b. Repliez le rebord en plastique (a) du sac à herbe sur les crochets du support (b).

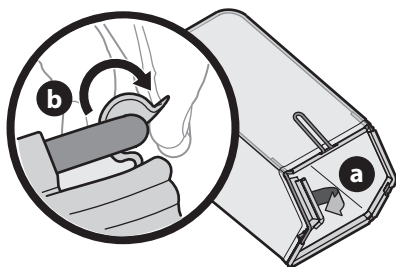


Figure 11

2. Suivez les étapes ci-dessous pour installer le sac à herbe sur la tondeuse. Voir Figure 12.

- a. Soulevez le couvercle d'éjection arrière de la tondeuse (a).
- b. Placez le support du sac sur les crochets du guidon (b). Abaissez le couvercle d'éjection pour qu'il repose sur le sac à herbe.

**NOTE :** Pour retirer le sac à herbe, effectuez l'étape 2 dans l'ordre inverse. Soulevez le couvercle d'éjection arrière de la tondeuse. Soulevez le sac et retirez-le des crochets du guidon avant d'abaisser le couvercle d'éjection arrière.

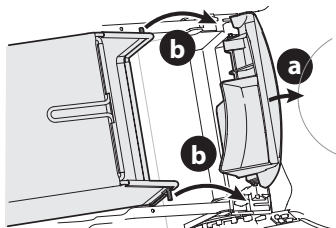


Figure 12

## Installation du déflecteur d'éjection (le cas échéant)

La tondeuse est livrée avec le bouchon de déchetage installé. Pour utiliser la tondeuse avec le déflecteur d'éjection, retirez le sac à herbe (le cas échéant) et abaissez le couvercle d'éjection arrière de la tondeuse. Voir Figure 13.

1. Relevez le bouchon de déchetage sur le côté de la tondeuse.
2. Faites glisser les deux crochets du déflecteur d'éjection sous l'axe de charnière du bouchon de déchetage. Abaissez le bouchon de déchetage.

**IMPORTANT :** Ne retirez en aucun cas le bouchon de déchetage.

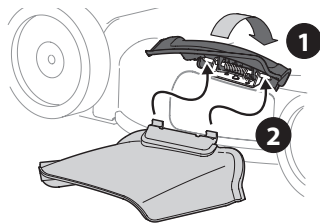


Figure 13

**NOTE :** Certains déflecteurs d'éjection latérale sont dotés d'une attache qui permet de les retenir au guidon. Si tel est le cas, le déflecteur d'éjection peut être fixé au guidon même lorsqu'il n'est pas utilisé. Voir Figure 14.

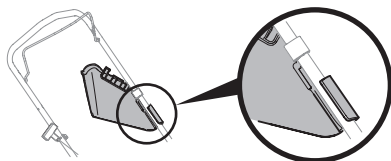


Figure 14



## Réglage de la hauteur de coupe

Il y a deux façons de régler la hauteur de coupe. Consultez la section qui se rapporte à votre modèle de tondeuse.

### UN LEVIER (SUR CERTAINS MODÈLES)

Un levier de réglage se trouve sur la roue arrière gauche. Voir Figure 15.

1. Tirez le levier de réglage de la hauteur de coupe vers la roue. Faites attention, la tondeuse risque de basculer lorsque vous déplacez le levier vers l'extérieur.
2. Placez le levier à la position désirée.
3. Relâchez le levier de réglage.

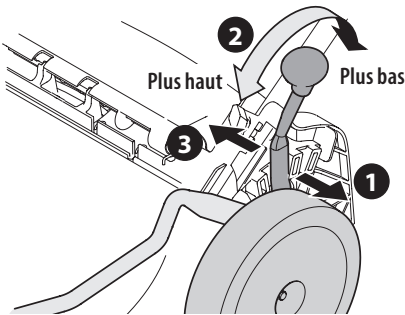


Figure 15

### DEUX LEVIERS (SUR CERTAINS MODÈLES)

Un levier se trouve sur la roue avant droite et l'autre sur la roue arrière droite. Voir Figure 16.

1. Tirez le levier de réglage de la hauteur de coupe vers la roue. Faites attention, la tondeuse risque de basculer lorsque vous déplacez le levier vers l'extérieur.

**NOTE :** Pour régler la hauteur de coupe, vous devez déplacer les leviers de réglage dans le sens opposé.

2. Placez le levier à la position désirée.
3. Relâchez le levier de réglage.

**IMPORTANT :** Les roues doivent être réglées à la même hauteur pour avoir une hauteur de coupe égale. Si le terrain est accidenté, réglez les roues à une plus haute position pour que l'herbe ne soit pas coupée trop court.

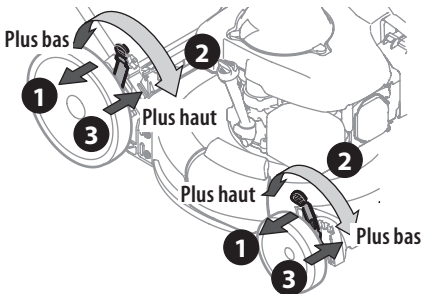


Figure 16

## Angle d'inclinaison de la poignée (le cas échéant)

Pour plus de confort, ajustez l'angle de la poignée. Suivez les instructions qui s'appliquent.

### GUIDON STANDARD

1. Retirez les deux boutons étoile ou les deux écrous papillon et les boulons de carrosserie du guidon. Voir Figure 17.
2. Placez le guidon dans une des trois positions. Voir Figure 17.
3. Fixez la poignée avec les boutons étoile ou les écrous papillon et les boulons de carrosserie retirés à l'étape 1.

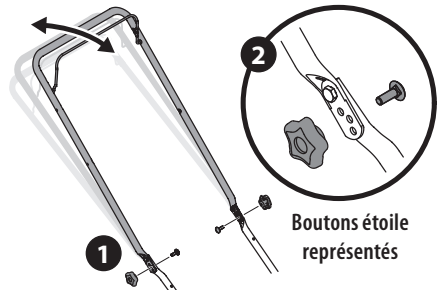


Figure 17

### GUIDON RABATTABLE (RANGEMENT VERTICAL)

1. Abaissez les deux leviers de réglage pour les déverrouiller. Voir Figure 18.
2. Placez la partie supérieure du guidon (a) dans la position (b) la plus appropriée en vous assurant que l'indicateur est aligné (c).
3. Relevez les deux leviers de réglage. Voir l'encadré de la Figure 18.

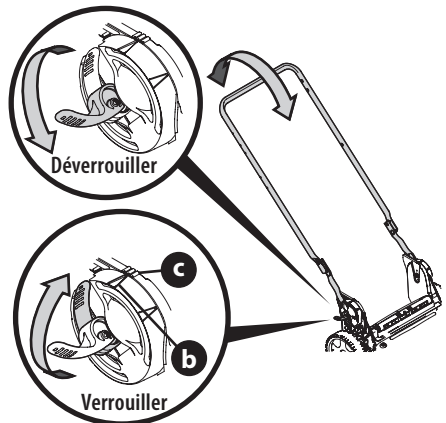


Figure 18

# UTILISATION

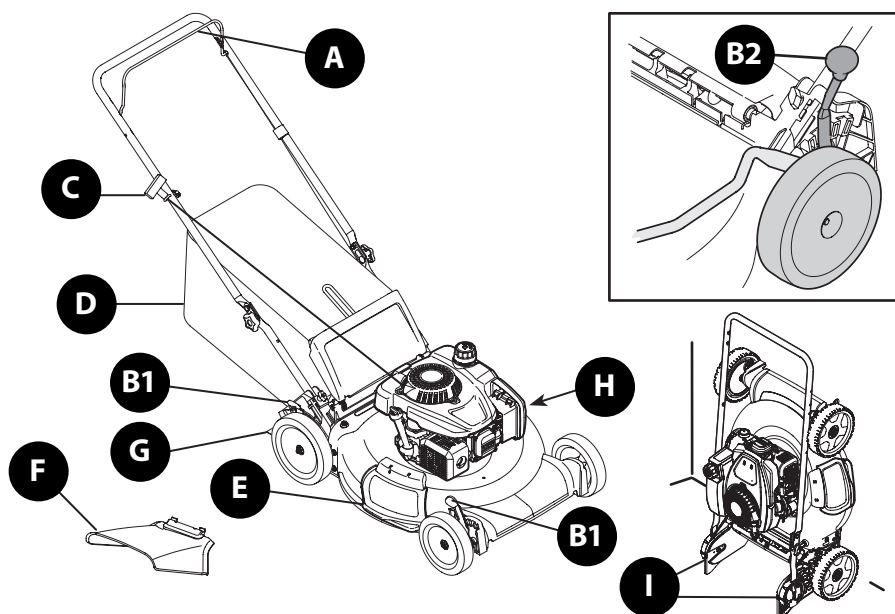


Figure 19

## Caractéristiques

### A. COMMANDE DE LA LAME

La commande de lame est fixée sur la partie supérieure du guidon de la tondeuse. Serrez la commande de la lame contre le guidon pour faire fonctionner la tondeuse. Relâchez la commande de la lame pour arrêter le moteur et la lame.

#### **⚠ AVERTISSEMENT**

La commande de la lame est un dispositif de sécurité. Ne la modifiez pas.

### B. LEVIER DE RÉGLAGE DE LA HAUTEUR DE COUPE

There are two cutting height adjustment configurations.

- 1. Deux leviers de réglage :** Un levier se trouve sur la roue avant droite et l'autre sur la roue arrière droite. Pour ajuster la hauteur de coupe, consultez la section Réglage de la hauteur de coupe à la page 10.
- 2. Un levier de réglage :** Le levier de réglage est situé sur la roue arrière gauche. Pour ajuster la hauteur de coupe, consultez la section Réglage de la hauteur de coupe à la page 10.

### C. LANCEUR À RAPPEL

Le lanceur à rappel se trouve sur le côté droit de la partie supérieure du guidon. Placez-vous derrière la tondeuse, pressez la commande des lames contre le guidon et tirez la poignée du lanceur à rappel pour démarrer la tondeuse.

### D. SAC À HERBE (SI PRÉSENT)

Le sac à herbe, placé à l'arrière de la tondeuse, sert à ensacher les débris d'herbe coupée. Lorsque le sac est rempli, retirez-le en utilisant la poignée, puis videz son contenu.

### E. BOUCHON DE DÉCHIQUETAGE (SI PRÉSENT)

Le bouchon de déchiquetage est placé sur le côté droit de la tondeuse et doit être installé pour déchiqeter l'herbe et disperser les débris sur la pelouse.

### F. DÉFLECTEUR D'ÉJECTION (SI PRÉSENT)

Le déflecteur d'éjection latérale permet d'éjecter les déchets de tonte par le côté lorsque vous ne voulez pas les déchiqeter ou les envoyer dans le sac à herbe.

#### **⚠ AVERTISSEMENT**

N'approchez pas vos mains et vos pieds de l'ouverture d'éjection du plateau de coupe. Lisez l'étiquette d'avertissement sur l'appareil.

### G. LANGUETTE DE PROTECTION

La languette de protection se trouve à l'arrière de la tondeuse et protège l'utilisateur des débris d'herbe. N'utilisez pas la tondeuse si cette languette ne fonctionne pas ou si elle n'est pas installée.

# UTILISATION

## H. SYSTÈME DE NETTOYAGE DU PLATEAU DE COUPE (SI PRÉSENT)

Le plateau de coupe peut être équipé d'un embout qui s'adapte au système de nettoyage du plateau de coupe. Utilisez le système de nettoyage du plateau pour enlever les débris d'herbe coupée sous le plateau de coupe.

## I. GUIDON RABATTABLE (RANGEMENT VERTICAL) (SI PRÉSENT)

Les modèles pouvant être rangés en position verticale sont dotés d'un guidon repliable.

### ⚠ AVERTISSEMENT

Ne rangez pas les tondeuses qui n'ont pas la mention « rangement vertical » en position verticale, car il peut y avoir des fuites d'essence ou d'huile et le moteur peut être endommagé.

Les tondeuses portant la mention « rangement vertical » sont conçues pour être rangées en position verticale

## Essence et huile

**IMPORTANT :** Consultez la notice d'utilisation du moteur pour obtenir plus d'informations sur le moteur.

Cette tondeuse est livrée sans essence et sans huile. Après avoir assemblé l'appareil, faites le plein d'essence et d'huile selon les instructions de la notice d'utilisation du moteur fournie.

1. Ajoutez l'huile fournie avant de démarrer la tondeuse pour la première fois selon les instructions de la notice d'utilisation du moteur.
2. Remplissez le réservoir d'essence selon les instructions de la notice d'utilisation du moteur.

### ⚠ AVERTISSEMENT

Soyez très prudent lorsque vous manipulez de l'essence. Ce liquide est extrêmement inflammable et dégage des vapeurs explosives. Ne faites jamais le plein dans un lieu fermé et n'ajoutez pas d'essence lorsque le moteur est en marche ou s'il est chaud. Éteignez cigares, cigarettes, pipes et tout autre objet susceptible de s'enflammer.

## Démarrage du moteur

### ⚠ AVERTISSEMENT

Assurez-vous que vous êtes la seule personne à proximité de la tondeuse lorsque vous démarrez le moteur et pendant que vous utilisez l'appareil. Ne faites jamais fonctionner l'appareil à l'intérieur ou dans un local mal aéré en raison de la présence de monoxyde de carbone, un gaz inodore très dangereux dans les gaz d'échappement. Gardez vos mains, pieds, cheveux et vêtements éloignés de toutes les pièces en mouvement.

Consultez la notice d'utilisation du moteur pour les instructions sur le démarrage et l'arrêt du moteur.

## Arrêt du moteur

Relâchez la commande de la lame pour arrêter le moteur et la lame.

### ⚠ AVERTISSEMENT

Attendez l'arrêt complet de la lame avant d'effectuer un réglage sur la tondeuse et avant de retirer le sac à herbe.

La lame doit s'arrêter en trois secondes. Si ce n'est pas le cas, contactez un centre de service.

## Utilisation de la tondeuse

Débarrassez la zone de travail de cailloux, bâtons et fils ainsi que de tout autre objet qui peut endommager la tondeuse ou le moteur. Ces objets peuvent être projetés dans toutes les directions et causer de graves blessures.

### ⚠ AVERTISSEMENT

Les objets projetés par la tondeuse peuvent causer de graves blessures aux yeux. Protégez-vous avec des lunettes de protection lorsque vous utilisez la tondeuse et lorsque vous effectuez un réglage ou une réparation.

## Déchiquetage

Pour déchiqeter l'herbe, enlevez le sac à herbe. Lorsque vous retirez le sac à herbe, assurez-vous que le couvercle d'éjection arrière soit bien fermé. Ne tondez pas l'herbe mouillée. Il n'est pas recommandé de déchiqeter l'herbe si elle mesure plus de quatre pouces. Utilisez plutôt le sac à herbe pour ensacher les débris.

## Utilisation du sac à herbe

Le sac vous permet d'ensacher les débris d'herbe coupée lorsque vous tondez la pelouse.

1. Suivez les instructions de la section Assemblage pour installer le sac à herbe. Les débris d'herbe sont recueillis dans le sac pendant que vous tondez la pelouse. Tondez la pelouse jusqu'à ce que le sac soit rempli.
2. Relâchez la commande de la lame pour arrêter le moteur. Assurez-vous que l'appareil est arrêté.
3. Relevez le couvercle d'éjection arrière et retirez le sac à herbe. Videz le contenu du sac, puis réinstallez le sac à herbe sur la tondeuse.

### ⚠ AVERTISSEMENT

Arrêtez immédiatement le moteur si vous heurtez un objet. Débranchez le fil de la bougie d'allumage, inspectez soigneusement l'appareil et réparez tout dommage avant de redémarrer le moteur. Des vibrations excessives indiquent qu'il y a des problèmes. Faites immédiatement inspecter et réparer l'appareil.

# UTILISATION

## Rangement en position verticale (le cas échéant)

### ⚠ AVERTISSEMENT

Ne rangez pas les tondeuses qui n'ont pas la mention « rangement vertical » en position verticale, car il peut y avoir des fuites d'essence ou d'huile et le moteur peut être endommagé.

Les tondeuses portant la mention « rangement vertical » sont conçues pour être rangées en position verticale.

N'entreposez pas la tondeuse à l'extérieur ou dans un endroit humide. Rangez-la dans un emplacement propre et sec.

### REMISAGE DE LA TONDEUSE

### ⚠ AVERTISSEMENT

Laissez le moteur refroidir avant de nettoyer la tondeuse ou de la ranger.

**IMPORTANT :** Assurez-vous que le niveau de l'essence est sous le niveau recommandé avant de ranger la tondeuse en position verticale. Consultez la notice d'utilisation du moteur.

1. Nettoyez l'extérieur de la tondeuse avec un chiffon sec ou de l'air comprimé et enlevez les débris autour du moteur.
2. Retirez la clé de démarrage (s'il y en a une).
3. Abaissez les deux leviers de réglage pour les déverrouiller. Voir l'encadré de la Figure 20.
4. Rabattez le guidon (b) pour ranger la tondeuse. Voir Figure 20. Veillez à ne pas pincer le câble de commande de la lame ou le câble d'entraînement (le cas échéant) lorsque vous abaissez le guidon.
5. Relevez les deux leviers de réglage pour les verrouiller. Voir l'encadré de la Figure 20.

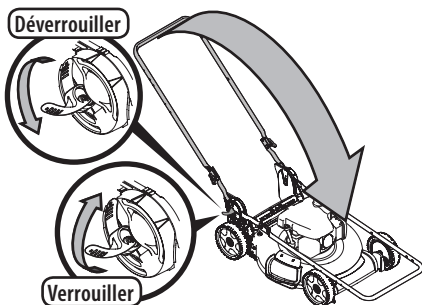


Figure 20

6. Tenez le guidon (a) et relevez la tondeuse pour qu'elle repose sur ses roues arrière et sur les supports du guidon (b). Voir Figure 21.
7. La lame doit faire face au mur.

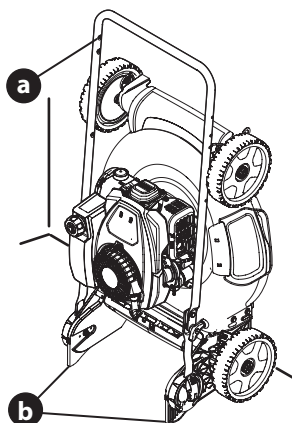


Figure 21

### REMISE EN SERVICE DE LA TONDEUSE

### ⚠ AVERTISSEMENT

N'approchez pas les mains ou les pieds près du plateau de coupe lorsque vous déplacez la tondeuse ou lorsque vous dépliez le guidon pour éviter des blessures graves.

Lorsque vous dépliez le guidon, ne pressez pas la commande de la lame contre la partie supérieure du guidon pour éviter un démarrage accidentel et des blessures graves.

1. Tenez la partie supérieure du guidon et placez la tondeuse sur ses quatre roues.
2. Pour déplier le guidon, déverrouillez les deux leviers (voir l'encadré de la Figure 21) et suivez les étapes 5 à 8 de la section Guidon rabattable (rangement vertical) à la page 9 du chapitre Assemblage.

# RÉVISION ET ENTRETIEN

## ⚠ AVERTISSEMENT

Avant d'effectuer tout travail d'entretien, désengagez toutes les commandes, arrêtez le moteur et attendez l'arrêt complet des pièces mobiles. Laissez refroidir le moteur. Débranchez le fil de bougie et mettez-le à la masse contre le moteur pour empêcher ce dernier de démarrer.

### Recommandations générales

- Lorsque vous effectuez l'entretien de l'appareil, respectez toujours les consignes de sécurité qui se trouvent dans le manuel de l'utilisateur et sur l'appareil.
- La garantie de cet appareil ne s'applique pas aux pièces qui ont été mal utilisées ou mal entretenues par le propriétaire. Pour bénéficier d'une couverture complète de la garantie, l'utilisateur doit entretenir l'appareil selon les instructions de ce manuel.
- La garantie sera nulle et non avenue si une modification est apportée au régulateur du moteur.
- Vérifiez que la quincaille est bien fixée avant chaque utilisation et avant le remisage.

### Lubrification

#### COMMANDE DE LA LAME

Lubrifiez les points de pivotement de la commande de lame avec de l'huile légère au moins une fois par saison. Cette commande doit bouger facilement dans les deux directions. Voir Figure 22.

#### ROUES

Lubrifiez tous les essieux et les moyeux de roue avec de l'huile légère au moins une fois par saison et avant de remettre l'appareil. Voir Figure 22.

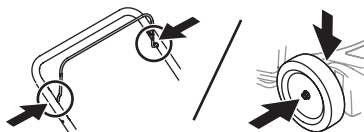


Figure 22

### Entretien du moteur

Une fois par saison, vérifiez que le boulon de montage du moteur est serré à un couple de 39,6 N m (29,2 pi-lb) au minimum et de 56,3 N m (41,7 pi-lb) au maximum.

Consultez la notice d'utilisation du moteur fournie pour avoir plus de détails concernant l'entretien et le remisage du moteur.

Si le moteur tourne irrégulièrement à plein régime ou au ralenti, a des ratés occasionnels ou surchauffe, consultez la notice d'utilisation du moteur.

**IMPORTANT :** Vérifiez le niveau d'huile à moteur avant chaque utilisation. Consultez la notice d'utilisation du moteur.

#### NETTOYAGE DU MOTEUR

- Avant chaque utilisation, enlevez l'herbe et les débris accumulés sur le moteur. Nettoyez la tringlerie, les ressorts et les commandes. Retirez les débris inflammables des surfaces autour du silencieux.
- Un moteur propre est bien aéré.

- Les composants du moteur devraient être nettoyés régulièrement pour éviter que le moteur ne surchauffe et que les débris ne brûlent.

## ⚠ ATTENTION

N'utilisez pas d'eau pour nettoyer les composants du moteur, car de l'eau risquerait de se retrouver dans les conduites d'essence. Utilisez une brosse ou un chiffon sec.

### Entretien de la tondeuse

#### SYSTÈME DE NETTOYAGE DU PLATEAU DE COUPE (LE CAS ÉCHÉANT)

Le plateau de coupe de votre tondeuse peut être équipé d'un système de nettoyage. Utilisez le système de nettoyage du plateau pour enlever les débris d'herbe et éviter l'accumulation de produits chimiques corrosifs. Effectuez les étapes suivantes APRÈS CHAQUE UTILISATION :

1. Placez la tondeuse sur une surface plane et dégagée, à proximité de votre tuyau d'arrosage.

## ⚠ ATTENTION

Assurez-vous que le déflecteur d'éjection n'est pas dirigé vers votre maison, votre garage, votre véhicule, etc.

2. Enlevez l'embout du système de nettoyage installé sur le plateau et installez-le sur l'extrémité du tuyau d'arrosage.
3. Branchez le tuyau d'arrosage et l'embout au gicleur sur le plateau de coupe. Voir Figure 23.
4. Ouvrez le robinet d'eau.
5. Démarrez le moteur selon les instructions dans la notice d'utilisation du moteur.
6. Faites fonctionner le moteur pendant au moins deux minutes afin que le dessous du plateau de coupe soit bien nettoyé.
7. Relâchez la commande de la lame pour arrêter le moteur et la lame.
8. Fermez le robinet et retirez l'embout du gicleur sur le plateau.
9. Redémarrez le moteur après avoir nettoyé le plateau de coupe. Faites fonctionner le moteur pendant au moins deux minutes afin que le dessous du plateau de coupe soit bien séché.

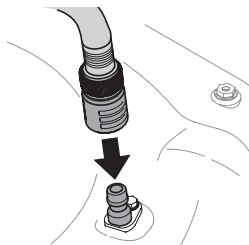


Figure 23

# RÉVISION ET ENTRETIEN

## NETTOYAGE DU PLATEAU DE COUPE

Au moins une fois par saison et avant le remisage, nettoyez le dessous du plateau de coupe pour éviter l'accumulation de débris.

1. Faites fonctionner le moteur jusqu'à ce que le réservoir d'essence soit vide. N'essayez pas de vidanger l'essence du réservoir. Débranchez le fil de la bougie d'allumage. Consultez la notice d'utilisation du moteur.
2. Inclinez la tondeuse sur le côté où se trouve le silencieux en prenant soin de garder le filtre à air et le carburateur orientés vers le haut. Tenez bien la tondeuse.
3. Grattez et nettoyez le dessous du plateau de coupe à l'aide d'un outil approprié. Ne nettoyez pas la tondeuse avec de l'eau.

**IMPORTANT :** Ne nettoyez pas votre tondeuse avec un tuyau d'arrosage ou une laveur à pression, car cela peut endommager les roulements ou le moteur. Le nettoyage à l'eau réduit la durée de vie et la performance de l'appareil.

4. Remplacez la tondeuse sur ses roues (soit à la position verticale).

## Entretien de la lame

### ⚠ AVERTISSEMENT

Attendez l'arrêt complet de la lame avant d'effectuer un réglage sur la tondeuse et avant de retirer le sac à herbe.

La lame doit s'arrêter en trois secondes. Si ce n'est pas le cas, contactez un centre de service.

### ⚠ AVERTISSEMENT

Avant de manipuler une lame, portez des gants épais ou enveloppez la lame avec un chiffon pour protéger vos mains.

Une fois par saison, vérifiez que le boulon de la lame est serré à un couple de 50,8 N m (37,5 pi-lb) au minimum et de 67,8 N m (50 pi-lb) au maximum.

Inspectez régulièrement l'adaptateur de lame afin de vous assurer qu'il n'est pas endommagé, surtout après que la lame a heurté un objet ou si elle vibre excessivement. Remplacez l'adaptateur de lame si nécessaire. Suivez les instructions d'entretien des lames ci-dessous :

1. Faites fonctionner le moteur jusqu'à ce que le réservoir d'essence soit vide. N'essayez pas de vidanger l'essence du réservoir.
2. Débranchez le fil de la bougie d'allumage. Consultez la notice d'utilisation du moteur.
3. Inclinez la tondeuse sur le côté où se trouve le silencieux en prenant soin de garder le filtre à air et le carburateur orientés vers le haut.
4. Retirez le boulon (a) et le support de la lame (b) qui fixent la lame et l'adaptateur au vilebrequin du moteur. Voir Figure 24.
5. Retirez la lame (c) et l'adaptateur (d) du vilebrequin. Voir Figure 24.

6. Retirez la lame de l'adaptateur pour vérifier son équilibre.
  - a. Faites tenir la lame en équilibre sur un tournevis à tige ronde.
  - b. Affûtez le côté plus lourd jusqu'à ce que la lame soit bien équilibrée.

**NOTE :** Lorsque vous aiguisiez une lame, aiguisiez-la selon l'angle d'affûtage. Aiguisiez chaque tranchant de façon égale pour garder la lame bien équilibrée.

### ⚠ AVERTISSEMENT

Une lame mal équilibrée peut causer des vibrations excessives à haute vitesse et entraîner des dommages matériels ou de graves blessures.

7. Lubrifiez le vilebrequin du moteur et la surface interne de l'adaptateur de la lame avec une huile légère. Voir l'encadré de la Figure 24.
  - a. Placez l'adaptateur (d) sur le vilebrequin.
  - b. Assurez-vous d'installer la lame avec le côté marqué « Grass side » (ou qui porte le numéro de pièce) face au sol.
  - c. La lame doit être bien alignée et bien placée sur les brides de l'adaptateur.
8. Placez le support de la lame (b) sur la lame (c). Alignez les encoches du support avec les petits trous sur la lame.
9. Insérez le boulon (a) et serrez-le à un couple de 50,8 N m (37,5 pi-lb) au minimum et de 67,8 N m (50 pi-lb) au maximum.

**NOTE :** Vérifiez régulièrement que le boulon de la lame est serré au couple approprié pour assurer le bon fonctionnement de la tondeuse.

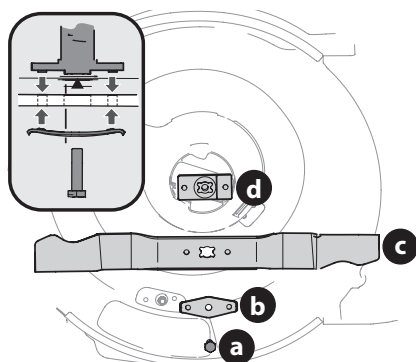
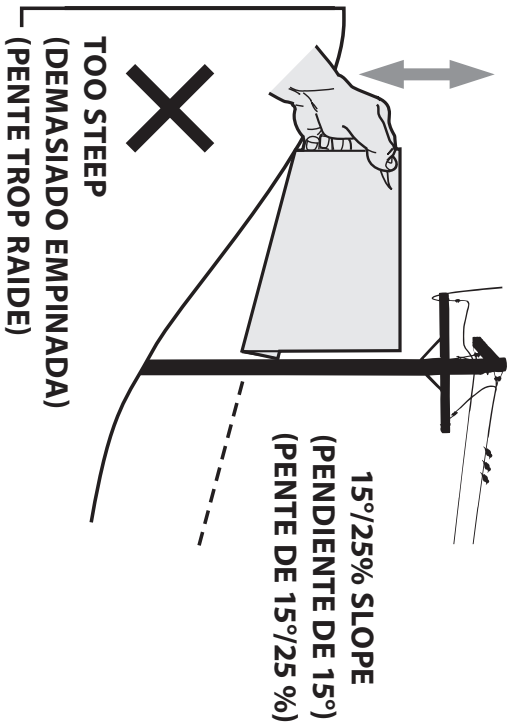
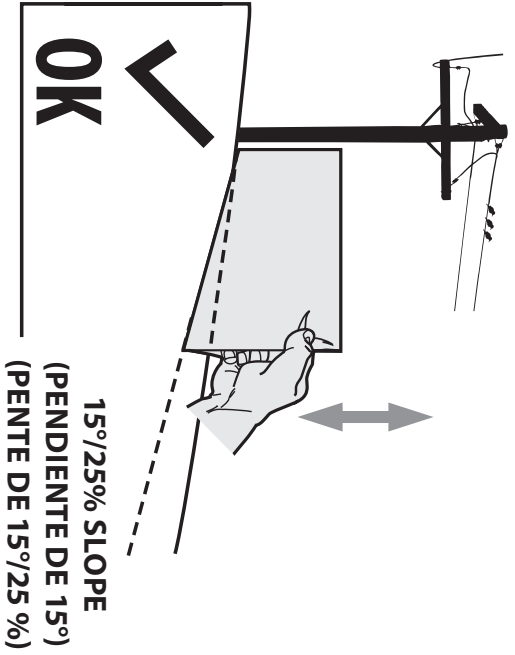


Figure 24



# SLOPE GAUGE (INDICADOR DE PENDIENTE) (INCLINOMÈTRE)



15°/25% DASHED LINE  
(LÍNEA DE GUIONES A 15°) (PENDE DE 15°/25 %)