

SINCE 1839

BRINLY

SINCE 1839

BRINLY

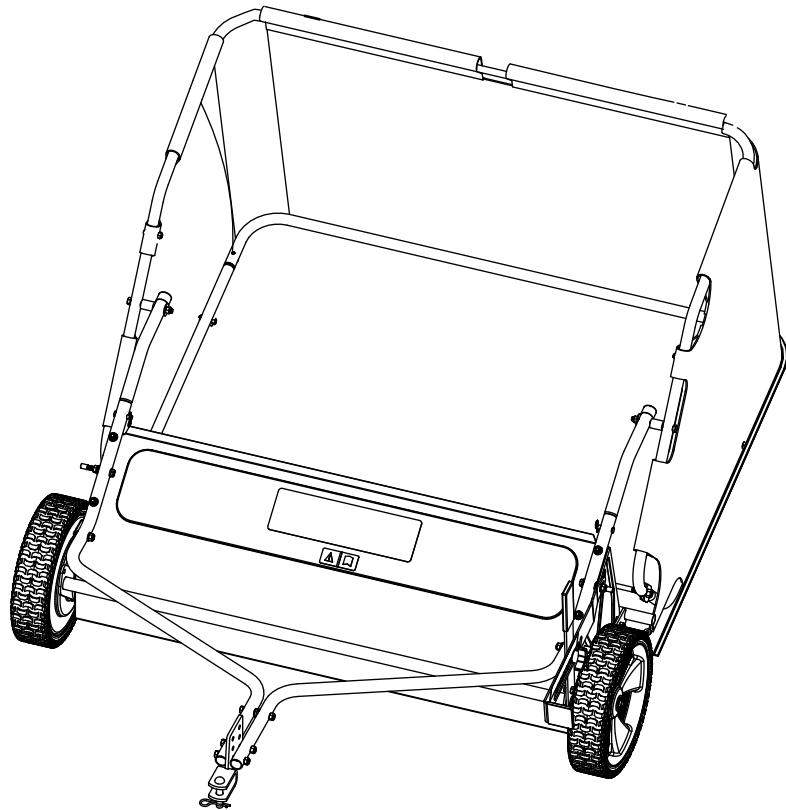
OWNER'S MANUAL

LAWN SWEEPER

MODEL:

STS-427LXH

- Assembly
- Installation
- Operation
- Repair Parts



Visit us on the web!
www.brinly.com

Important: This manual contains information for the safety of persons and property. Read it carefully before assembly and operation of the equipment!

1009725-E

INTRODUCTION AND SAFETY

CONGRATULATIONS on the purchase of your new Brinly-Hardy Sweeper! Your Sweeper has been designed, engineered and manufactured to give you the best possible dependability and performance.

Should you experience any problem you cannot easily remedy, please do not hesitate to contact our knowledgeable customer service department toll-free at 1-877-728-8224. We have competent, well trained technicians to help you with the assembly and use of your Sweeper.



CUSTOMER RESPONSIBILITIES

- Please read & retain this manual. The instructions will enable to assemble and maintain your Sweeper properly.
- Please carefully read and observe the SAFETY SECTION of this manual.
- Follow a regular schedule in maintaining and caring for your Brinly-Hardy Sweeper.

TABLE OF CONTENTS

Safety & Necessary Tools	2
Specifications	2
General Notes	3
Part List	4-5
Assembly	6-15
Operation	16-21
Maintenance	22-27
Limited Warranty	28

SAFETY LABELS AND NOTATION



This symbol will help to point out important safety precautions throughout this manual. It means: **ATTENTION! BECOME ALERT!** Your safety is involved.



B-7063
(To Scale)

The safety labels shown in this section are placed in important areas on your product to draw attention to potential safety hazards.

On your product safety labels, the words DANGER, WARNING and CAUTION are used with the safety-alert symbol. DANGER identifies the most serious hazards.

The operator's manual also explains any potential safety hazards whenever necessary in special safety messages that are identified with the word, CAUTION, and the safety-alert symbol.

SPECIFICATIONS

Maximum Towing Speed	5 mph
Hamper Capacity	20 cu. Ft.
Maximum Hamper Weight	120 lbs
Empty Weight	75 lbs
Maximum Towed Weight	195 lbs

REQUIRED TOOLS FOR ASSEMBLY



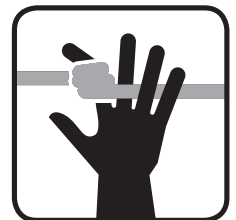
- 1/2" Wrench (2)
- 9/16" Wrench (2)
- 7/16" Wrench (1)
- Flat-Tip Screwdriver (1)
- Pliers
- Gloves
- Safety Glasses

HAMPER PULL ROPE



While in use, the pull rope can be under some strong tension. To prevent any potential injury or digital amputation, please be aware of the following:

- **DO NOT** wrap the pull rope around your wrists, fingers or ANY body parts.
- **DO NOT** use the pull rope while the towing vehicle is moving.
- Attach the pull rope as directed on pages 14-15 of this manual.
- Avoid overfilling the hamper. Heavy loads are more difficult to dump.
- Park towing vehicle and set the parking brake before dumping material.
- Use the handle that has been provided.
- **AFTER DUMPING THE HAMPER:** Always make sure to fully secure the pull handle to the back of the towing vehicle using the Hook and Loop tape.



CAUTION SHOULD BE TAKEN WHEN TOWING AND/OR USING ANY ATTACHMENT.

This attachment combined with the weight distribution, turning radius, and speed of towing vehicle can result in severe injury or death to operator, damage to towing vehicle, and/or attachment if not used properly. Follow all towing safety precautions noted in the towing vehicle owner's manual, including the following precautions:

GENERAL NOTES**(Operation)**

- Ensure the combined weight of the towing vehicle (tow vehicle weight + operator weight) is greater than the maximum towed weight of attachment (empty attachment weight + weight of load).
- Do not exceed maximum towing capacity of towing vehicle.
- Do not exceed the maximum drawbar pull rating of the towing vehicle. Drawbar pull is the horizontal force required to pull the attachment (including weight of load).
- Only tow this product in the vehicle's tow mode/speed setting or less than 5 mph. Do not exceed 5 mph.
- Towing speed should always be slow enough to maintain control. Travel slowly and use caution when traveling over rough terrain. Avoid holes, rocks and roots.
- Slow down before you turn and do not turn sharply.
- Use wide turning angles to ensure the attachment follows the path of the towing vehicle.
- Do not use attachment on steep slopes. A heavy load could cause loss of control or overturn attachment and towing vehicle. Additional weights may need to be added to your vehicle; check with towing vehicle manufacturer for recommendations.
- Reduce towed weight when operating on slopes.
- Keep all movement on slopes slow & gradual. Do not make sudden changes in speed, directions, or turning.
- If you start and stop suddenly on hills, you may lose steering control or the towing vehicle may tip. Do not start or stop suddenly when going uphill or downhill. Avoid uphill starts.
- Slow down and use extra care on hillsides. Turf conditions can affect vehicle stability. Use extreme caution while operating near drop-offs.
- Do not drive close to creeks, ditches and public highways.
- Watch out for traffic when crossing near roadways.
- Use care when loading or unloading the vehicle into a trailer or truck.
- The attachment can obstruct the view to the rear. Use extra care when operating in reverse.
- When reversing, carefully back-up straight in order to avoid jackknifing. Do not allow towing vehicle wheels to contact attachment draw bar. Damage could result.
- Stop on level ground, disengage drives, set the parking brake, and shut off engine before leaving the operator's position for any reason including emptying the attachment.
- Use this attachment for intended purpose only.
- This attachment is intended for use in lawn care and home applications. Do not tow behind a vehicle or on a highway or in any high speed applications. Do not tow at speeds higher than maximum recommended towing speed.
- Do not tow this product behind a motor vehicle such as a car or truck.
- Always wear substantial footwear. Do not wear loose fitting clothing that can get caught in moving parts.
- Keep your eyes and mind on your towing vehicle, attachment and area being covered. Do not let other interests distract you.
- Stay alert for holes and other hidden hazards in the terrain.
- Keep the towing vehicle and attachment in good operating condition and keep safety devices in place.
- The towing vehicle and attachment should be stopped and inspected for damage after striking a foreign object. Any damage should be repaired before restarting and operating the equipment.

- Keep all parts in good condition and properly installed. Fix damaged parts immediately. Replace worn or broken parts. Replace all worn or damaged safety and instruction decals. Keep all nuts, bolts and screws tight.
- Do not modify the attachment or safety devices. Unauthorized modifications to the towing vehicle or attachment may impair its function, safety and void the warranty.

TOWING VEHICLE AND TOWING SAFELY

- Know your towing vehicle controls and how to stop safely. READ YOUR TOWING VEHICLE OWNER'S MANUAL before operating.
- Check the towing vehicle brake action before you operate. Adjust or service brakes as necessary.
- Stopping distance increases with speed and weight of towed load. Travel slowly and allow extra time and distance to stop.
- Use only approved hitches. Tow this attachment only with a towing vehicle that has a hitch designed for towing. Do not connect this attachment except at the approved hitch point.
- Follow the tow vehicle manufacturer's recommendations for weight limits for towed equipment and towing on slopes. Use counterweights or wheel weights as described in the towing vehicle operator's manual.
- Do not shift to neutral and coast downhill.
- Do not allow children to operate the towing vehicle.
- Do not allow adults to operate the towing vehicle without proper instruction or without having read the owner's manual.

PROTECT THOSE AROUND YOU

- Before you operate any feature of this attachment or towing vehicle, observe your surroundings and look for bystanders.
- Keep children, bystanders and pets at a safe distance away while operating this or any attachment.
- Use care when reversing. Before you back up, look carefully behind for bystanders.

KEEP RIDERS OFF TOWED ATTACHMENT & TOWING VEHICLE

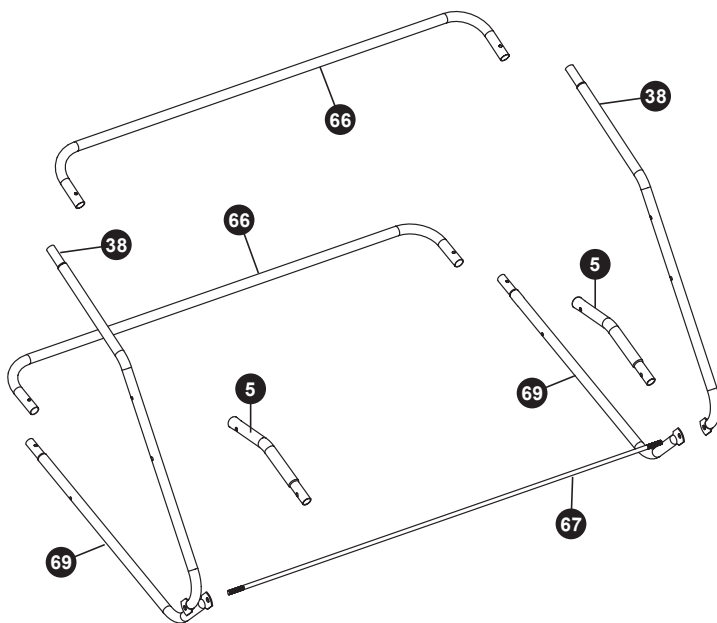
- Do not carry passengers.
- Do not let anyone, especially children, ride in/on this attachment, the towing vehicle or hitch bracket. Riders are subject to injury such as being struck by foreign object and/or being thrown off during sudden starts, stops and turns.

Riders may also obstruct the operator's view resulting in this attachment being operated in an unsafe manner.

PARTS

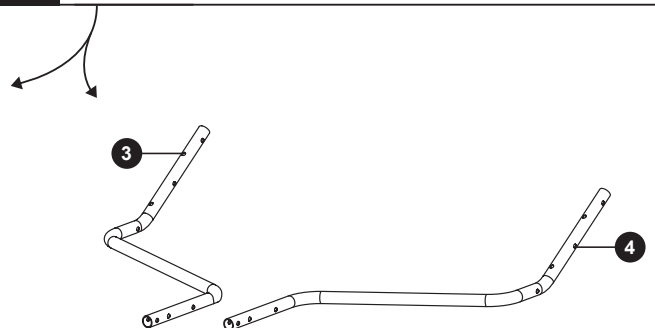
REF	PART NO.	DESCRIPTION	QTY
1	1008953-10	Lock Arm	1
2	1008958-10	Height Adjustment Handle	1
6	1008965	5/16" x 1" Spacer	2
7	1009047	Vinyl Bolt Cap	2
8	1009058	Vinyl Grip	1
9	11M1020P	5/16" x 1-1/4" Carriage Bolt	1
10	11M1024P	5/16" x 1-1/2" Carriage Bolt	6
13	2M1012P	5/16" x 3/4" Hex Bolt	5
14	2M1044P	5/16" x 2-3/4" Hex Bolt	3
15	2M1056P	5/16" x 3-1/2" Hex Bolt	2
16	30M1000P	5/16" Hex Nut	2
17	30M1200P	3/8" Hex Nut	2
18	40M1000P	5/16" Lock Washer	2
19	45M1111P	5/16" Washer	14
20	B-1673P	1/4" Lock Nut	6
21	B-1674P	5/16" Lock Nut	1
22	B-1675P	3/8" Lock Nut	2
23	B-3861	1/2" X 2-1/2" Hitch Pin	1
24	B-4107	1" Vinyl Cap	2
25	B-4786	5/16" Nylon Lock Nut	16
26	1009205	Grip	1
27	B-4868	5/16" x 2-1/2" Hex Bolt	2
28	B-5650	5/16" Star Lock Washer	1
29	B-983	0.08" Hairpin Cotter	2
30	D-146P	1/8" Hairpin Cotter	1
31	F-782	5/16" Knob	1
32	R-1141-01	Frame Spacer	1
33	R-2303	5/16" X 1-3/8" Clevis Pin	2
34	R-618	Large Washer	3
35	1008997SER	Pull Handle	1

REF	PART NO.	DESCRIPTION	QTY
36	1009049	Adhesive Hook and Loop	1
37	1009639	Rope, Pull, Hamper	1
40	R-2426	Hamper	1
41	1009046	Adjustment Label	1
42	1008955	Dust Cover	2
43	1008957-10	Lower Pivot	1
44	1008959-01	Wheel Axle	2
45	1008986-10SER	Brush Housing	1
46	1008987	Wheel	2
47	1008992-10	Hamper Stop	1
48	11M0808P	1/4" x 1/2" Carriage Bolt	6
49	50M0624P	3/16" x 1-1/2" Cotter Pin	4
50	B-4768	5/8" Machine Bushing	4
51	B-5924	Brinly Decal	1
52	B-7063	Caution Label	1
53	F-577	5/8" E Ring	6
54	L-1744	Label, Serial No	1
55	R-2205	Brush Section	6
56	R-2259-01	Brush Axle	1
57	R-2261	1/4" x 3/4" Dowel Pin	2
58	R-2262	5/8" Large Flat Washer	2
59	R-2263	5/8" Flat Washer	2
60	R-2281	Brush Holder	4
61	R-2289SER	Bearing Retainer	2
62	R-2320	5/8" External Retaining Ring	2
63	R-2321	Screw, Tapping, #12 X 3/8	4
64	R-2485LH	LH Drive Pinion	1
65	R-2485RH	RH Drive Pinion (Not Shown)	1
68	R-2251-10	Hitch Clevis	1
70	R-2307	Spring Rod	2



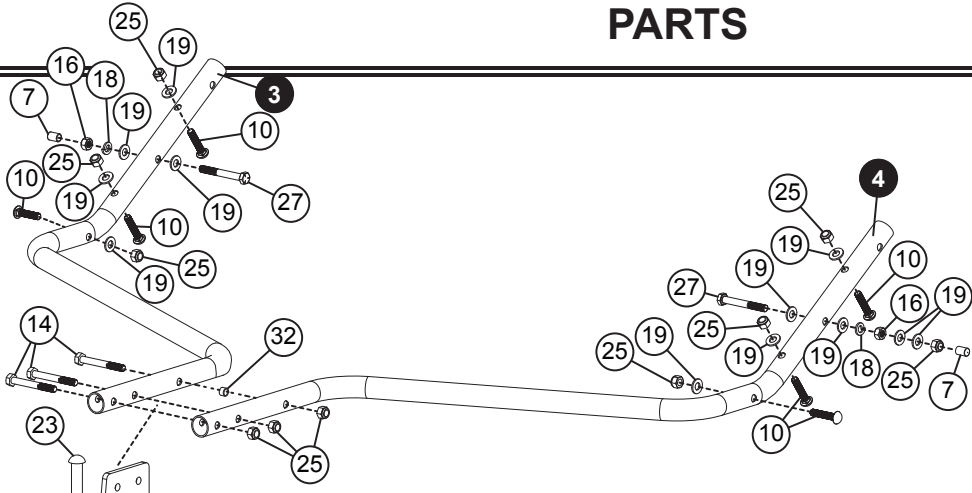
TUBES:

3	1008960-10	Tow Tube, Right	1
4	1008961-10	Tow Tube, Left	1
5	1008962-10	Hamper Mount	2
38	R-2300-10	Upper Side Tube	2
66	R-2194-10	Rear Hamper Tube	2
67	R-2195	Hamper Stop Rod	1
69	R-2443-10	Lower Side Tube	2

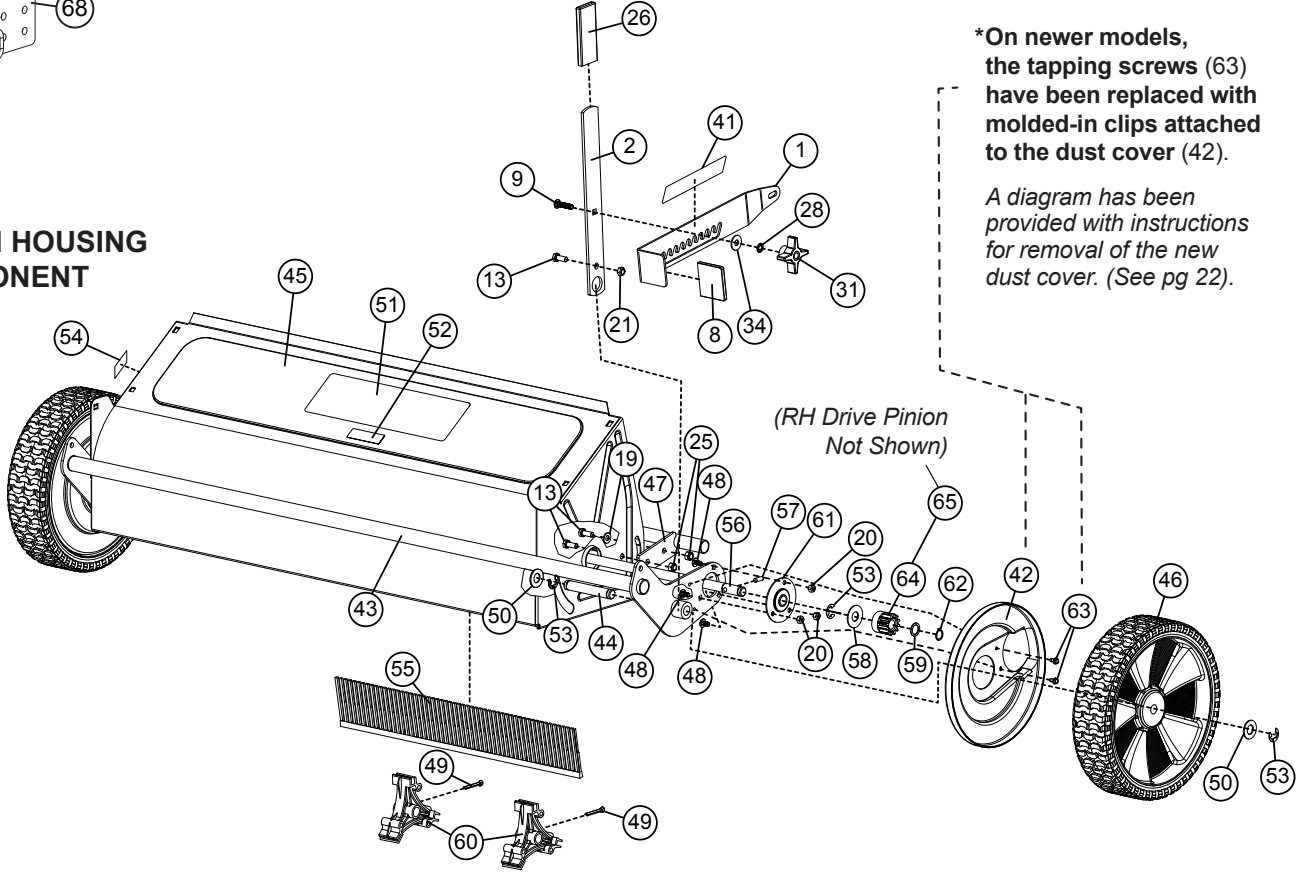


PARTS

TOW TUBE COMPONENT VIEW

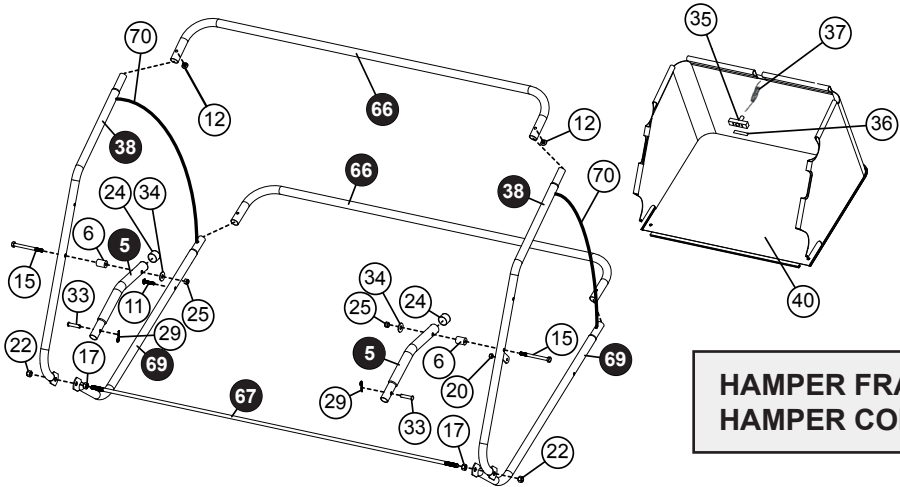


BRUSH HOUSING COMPONENT VIEW:



*On newer models, the tapping screws (63) have been replaced with molded-in clips attached to the dust cover (42).
A diagram has been provided with instructions for removal of the new dust cover. (See pg 22).

HAMPER FRAME AND HAMPER COMPONENT VIEW



ASSEMBLY

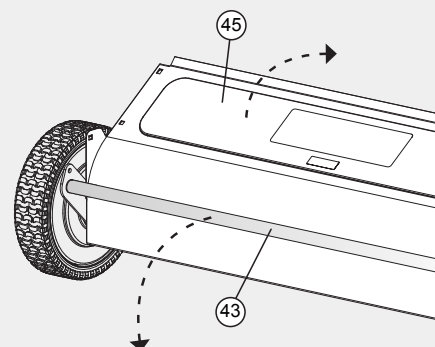
TIP 1: An organized skinpack with all necessary hardware has been provided with this product. Be sure to use the hardware panels called for in each step of the assembly.

NOTE: Hardware Panels 08 and 09 will not be used in this assembly.

TIP 2: During assembly you will need to shift the tires away from the Brush Housing (45).

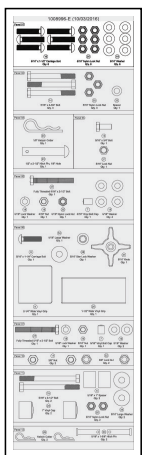
To do so, firmly grasp the Lower Pivot bar (43) in one hand, and the Brush Housing (45) in the other. Pull apart.

NOTE: This will especially come in handy on Step 1.

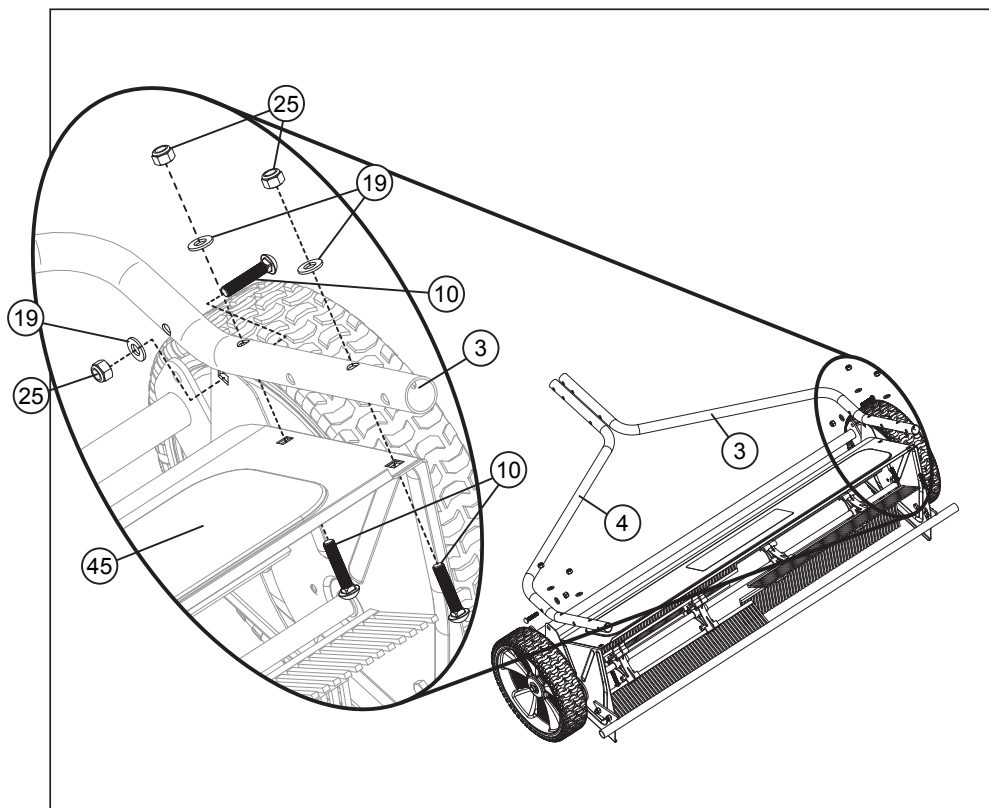


STEP 1

Align the Right Tow Bar tubing (3) and the Left Tow Tube (4) against the top of the Brush Housing (45).



← Attach the tubes using the hardware from **PANEL 01** as shown here. →



DO NOT TIGHTEN THE FASTENERS AT THIS TIME.

ASSEMBLY

↑
11"
(top of page)

STEP 2

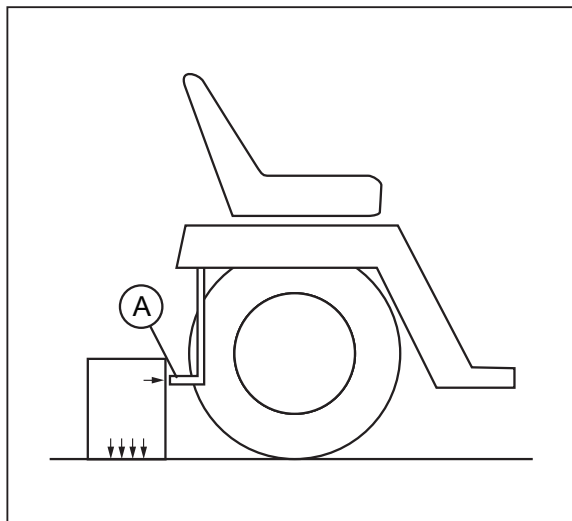
HITCH PLATE HEIGHT MEASUREMENT

- Park towing vehicle on a level, hard surface and set parking brake.
- Measure from the ground to the bottom of the rear hitch plate (A).

Note: The ruler on the edge of this page can be used as a guide for hitch plate heights up to 11 inches off the ground.

Record your measurement here: _____

Round this measurement to the closest whole number: _____

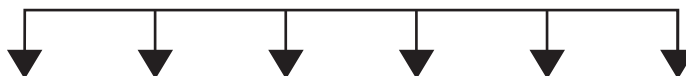


↙ For example: If the hitch plate measurement is 7-1/4"
(Round to 7")

If the hitch plate measurement is 8-3/4"
(Round to 9")

If the hitch plate is a half measurement, round up.
(Ex: 7-1/2" rounds to 8")

PLACE THIS EDGE ON GROUND.



10"

9"

8"

7"

6"

5"

4"

3"

2"

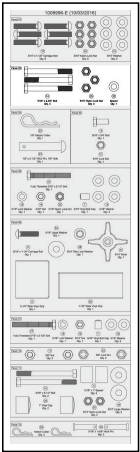
1"

ASSEMBLY

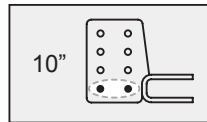
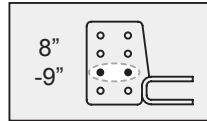
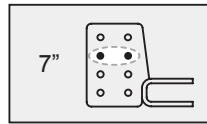
STEP 3

Using the rounded measurement from the previous step, determine the correct Clevis Assembly (68) mounting holes.

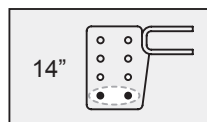
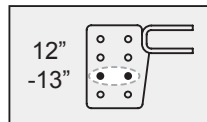
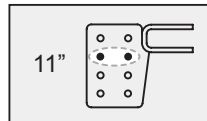
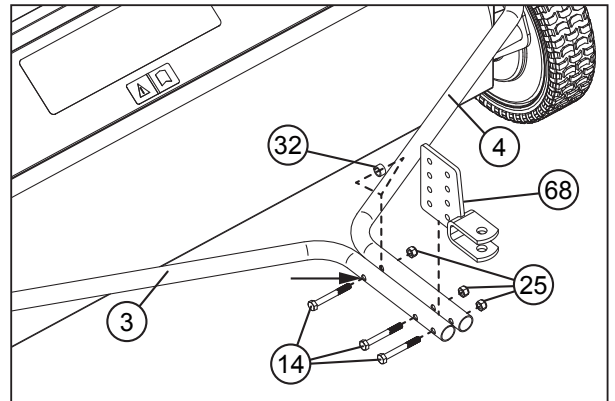
Once the correct Clevis Assembly (68) mounting holes have been determined, attach the Clevis Assembly (68) between the Right and Left Tow Tubes (3 & 4) using the hardware in **PANEL 02** (↖) as it's been illustrated here. →



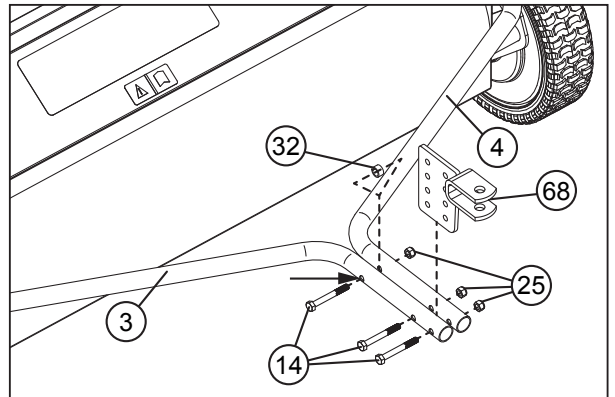
Use the remaining hardware from **PANEL 02** and attach the Right and Left Tow Tubes (3 & 4) at the 3rd hole as shown here.



Hitch plate heights between 7" & 10" have the Clevis (U-shaped extension) at the **BOTTOM** of the bracket



Hitch plate heights between 11" & 14" have the Clevis (U-shaped extension) at the **TOP** of the bracket

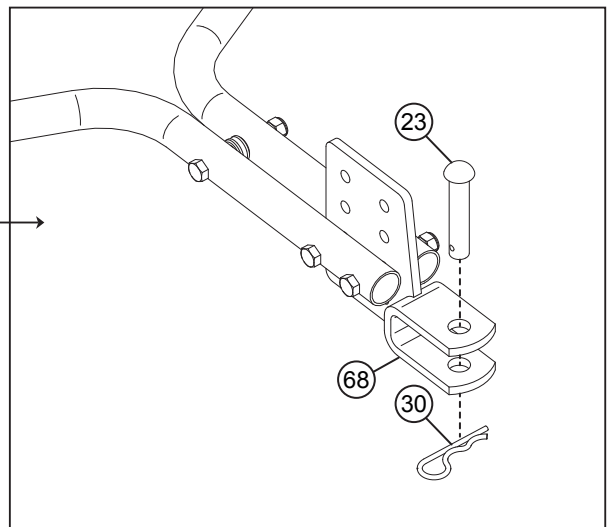
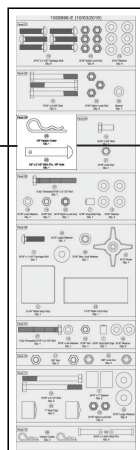


* Be sure to add the spacer (32) through the bolt between the tow tubes, closest to the Brush Housing (45).

STEP 4

Tighten all hardware used in **STEP 1** (6 Carriage Bolts and Nuts) and **STEP 3** (3 Hex Bolts and Nuts).

Using the hardware in **Panel 03**, attach the Hitch Pin (23) and the Hairpin Cotter (30) to the Clevis Assembly.



ASSEMBLY

STEP 5

Loosely add the Bolt (13) & Lock Nut (21) from **PANEL 04** to the Height Adjustment Handle (2).

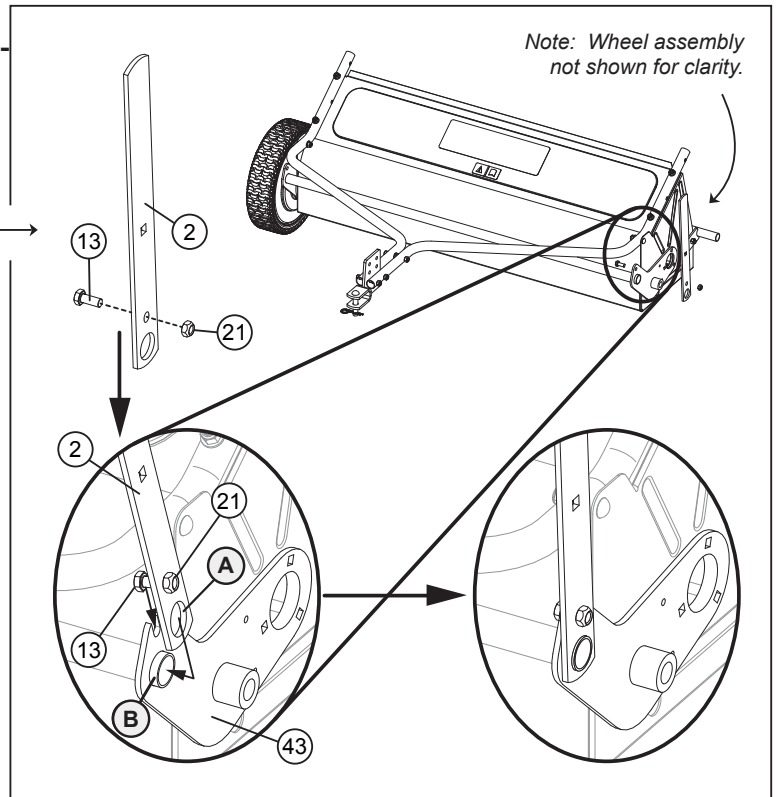
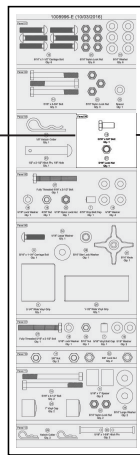
Pointing the Nut side out, slide the Height Adjustment Handle (2) into place against the Lower Pivot (43) side plate.

Use the head of Bolt 13 to hold in place.

TIGHTEN HARDWARE SECURELY.

NOTE:

The large hole (A) in bottom of the Height Adjustment Handle (2) must fit over the Tube (B) extending past the Lower Pivot (43) side plate.



STEP 6

FIRST - Run Bolt (27) through the Left Tow Bar (4) using the following hardware from **PANEL 05** in the order listed below:

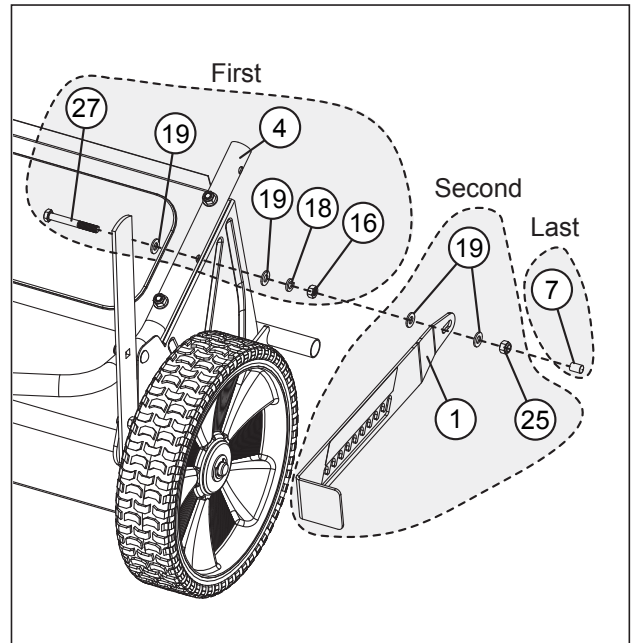
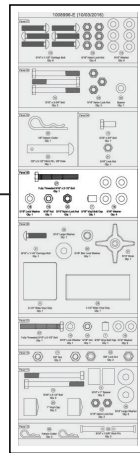
- Hex Bolt (27)
- 5/16" Washer (19)
- Left Tow Bar (4)
- 5/16" Washer (19)
- 5/16" Lock Washer (18)
- 5/16 Hex Nut (16)

• **TIGHTEN HARDWARE SECURELY**

SECOND - Adding on to the same bolt (27), attach the Lock Arm (1) using hardware in this order:

- Hex Bolt (27)
- 5/16" Washer (19)
- Lock Arm (1)
- 5/16" Washer (19)
- Nylon Lock Nut (25)

Note: Do not over tighten the Nylon Lock Nut (25). The Lock Arm (1) should be able to pivot freely after assembly.



LAST - Slide the Vinyl Bolt Cap (7) over the end of the Bolt (27).

ASSEMBLY

STEP 7

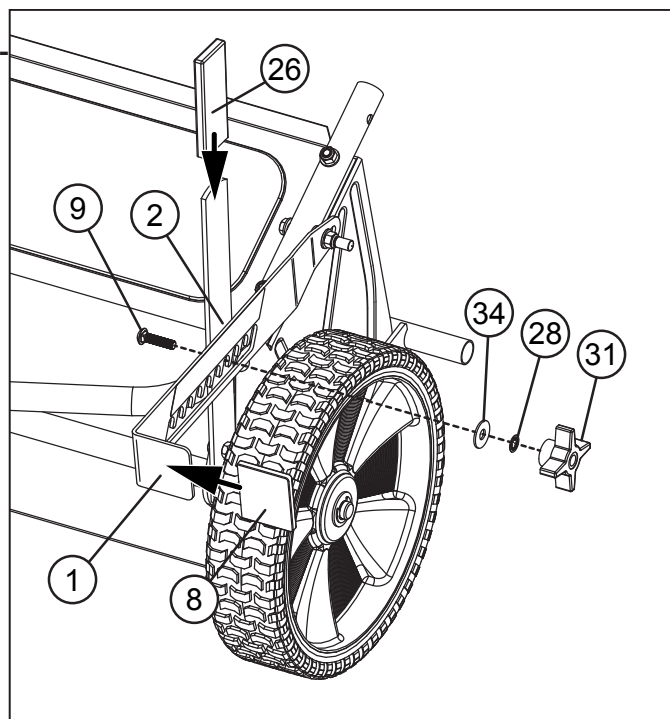
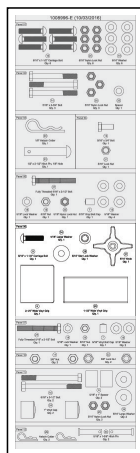
Attach Lock Arm (1) to Height Adjustment Handle (2) using the hardware in **PANEL 06** in the order listed below:

- 5/16" x 1 1/4" Carriage Bolt (9)
- Height Adjustment Handle (2)
- Lock Arm (1)
- Large Washer (34)
- 5/16" Star Lock Washer (28)
- 5/16" Knob (31)

Note: For proper function of the sweeper height adjustment mechanism, it is important to assemble the hardware properly.

ATTACH VINYL GRIPS:

- Vinyl Grip (8) slides on the Lock Arm (1)
- Vinyl Grip (26) slides on the Height Adjustment Handle (2)



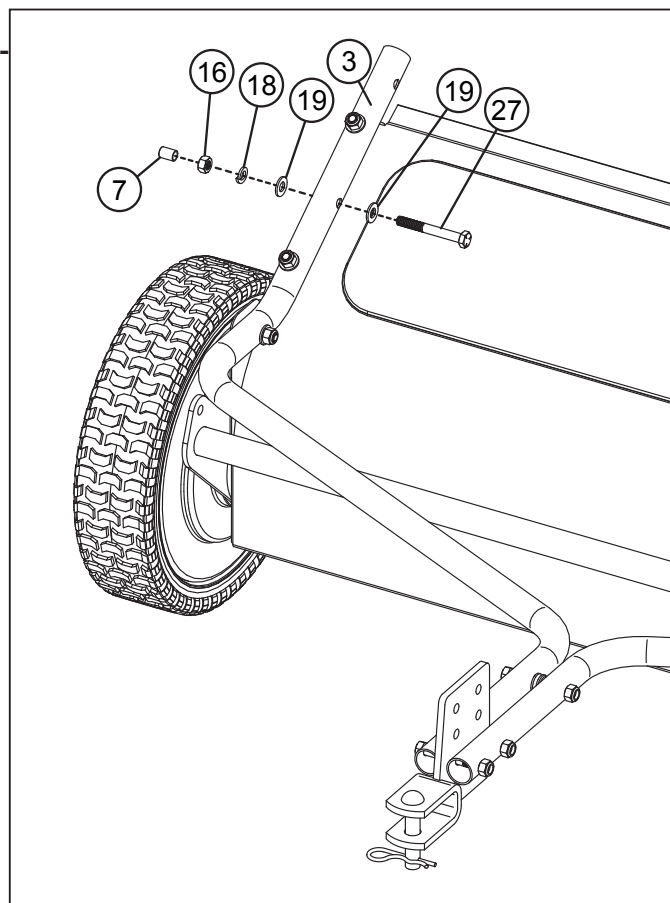
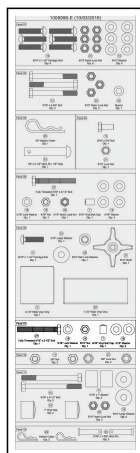
STEP 8

Use the hardware in **PANEL 07** to:

Assemble the following through the Right Tow Tube (3) in the order listed below:

- Bolt (27)
- Washer (19)
- Right Tow Tube (3)
- Washer (19)
- 5/16" Lock Washer (18)
- 5/16" Hex Nut (16)
- Vinyl Bolt Cap (7)

Tighten securely.

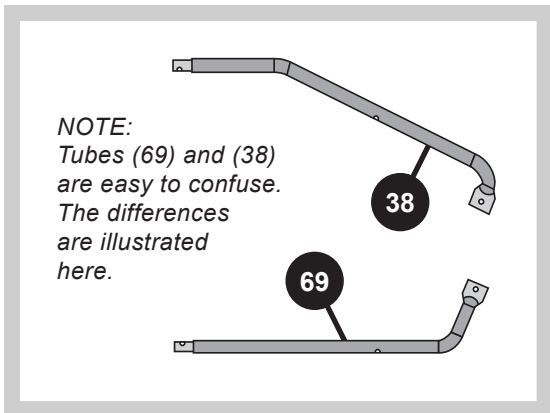


ASSEMBLY

STEP 9

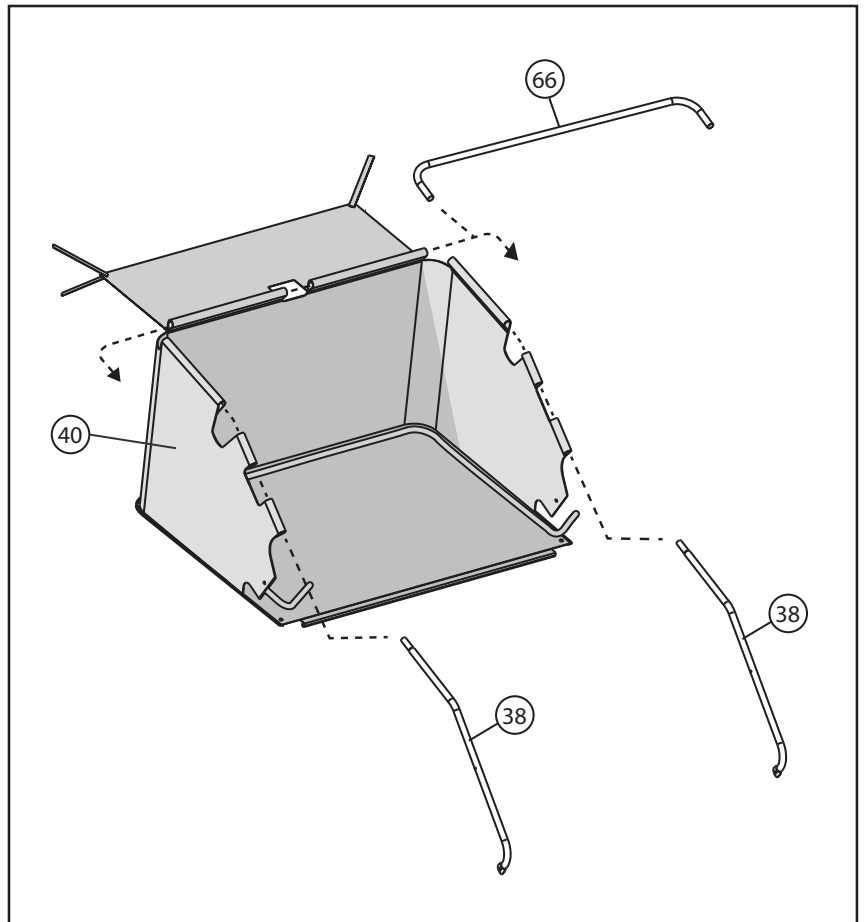
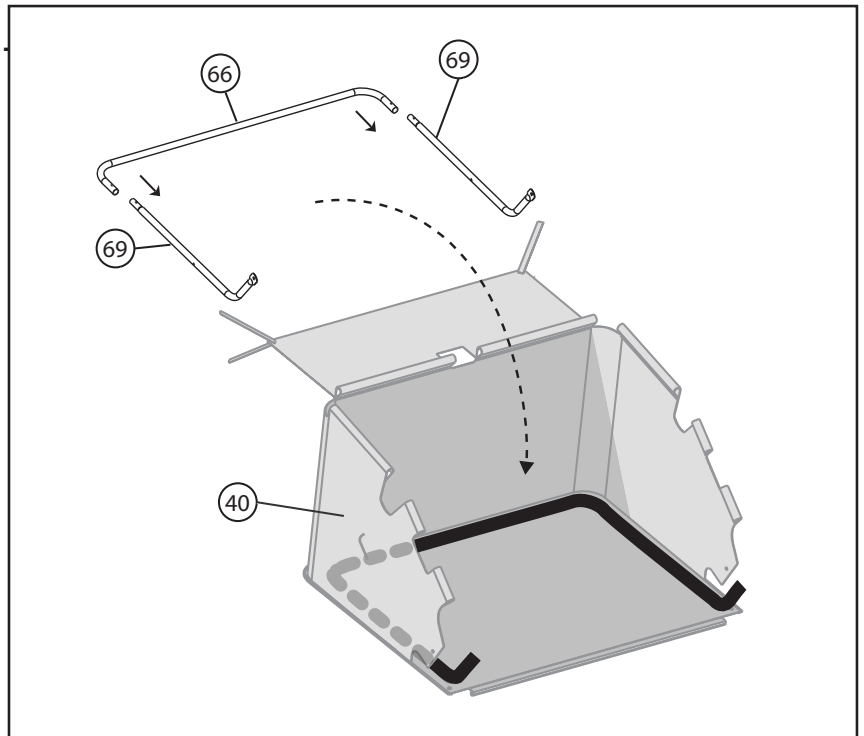
Assemble the hamper frame by inserting the first Rear Tube (66) into the Lower Tubes (69).

LAY THESE TUBES IN THE BOTTOM OF THE HAMPER (40), ALONG THE INSIDE EDGE.



Slide the second Rear Tube (66) through the top of the hamper as shown here.

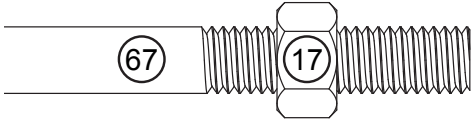
Slide the side tubes (38) through the side slots of the hamper and into the top rear tube (66).



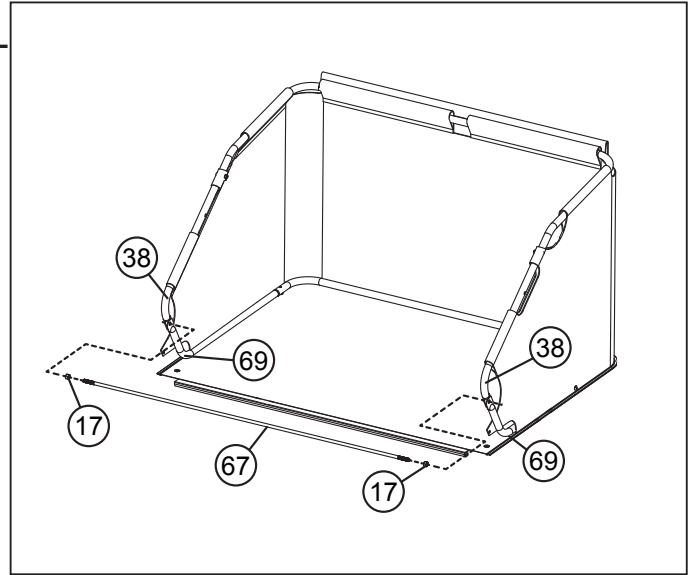
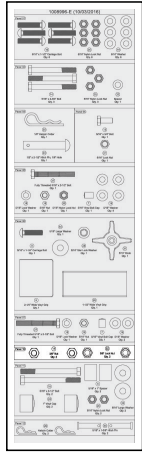
ASSEMBLY

STEP 10

Using the hardware in **PANEL 10**, assemble one 3/8" Nut (17) on each end of the Hamper Stop Rod (67) until it is approximately in the center of the threads.



Assemble each end of the Hamper Stop Rod (67) through the holes on the front of the Upper Side Tubes (38) and Lower Side Tubes (69).

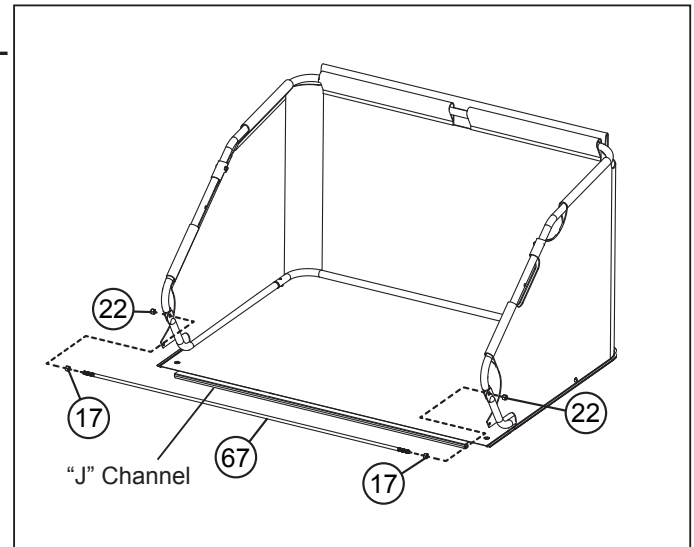


STEP 11

Using the remaining hardware in **PANEL 10**, assemble one 3/8" Lock Nut (22) on each end of Hamper Stop Rod (67). Tighten the Lock Nut (22) until Hamper Stop Rod (67) is flush with the top of the Lock Nut (22).

Note: Hold the Hamper Stop Rod (67) with Pliers while tightening the Lock Nuts (22).

Upper and Lower Side Tubes should be trapped between the Nut (17) and Lock Nut (22) on the Hamper Stop Rod (67) but still loose enough to pivot freely. If the tubes do not pivot freely, loosen Nut (17).

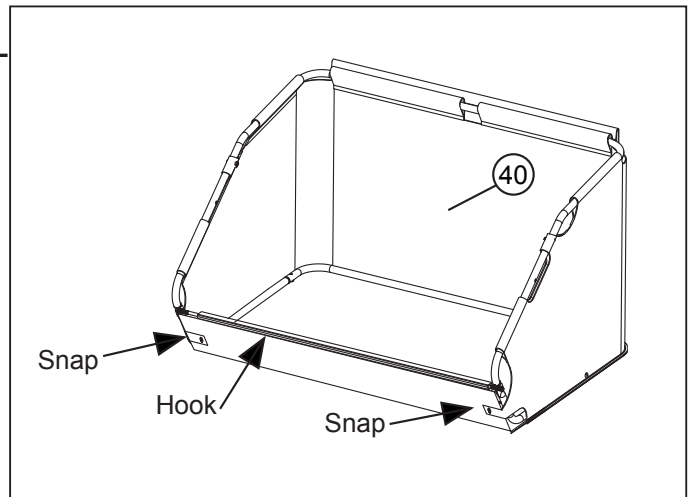


STEP 12

Pull up on bottom of Hamper (40) from "J" Channel and hook "J" Channel onto Hamper Stop Rod (67).

Take side flaps of the Hamper (40) around the frame and snap to the bottom of the Hamper as shown.

Note: Flap should be on the outside of the Lower Side Tubes (69) after assembly.

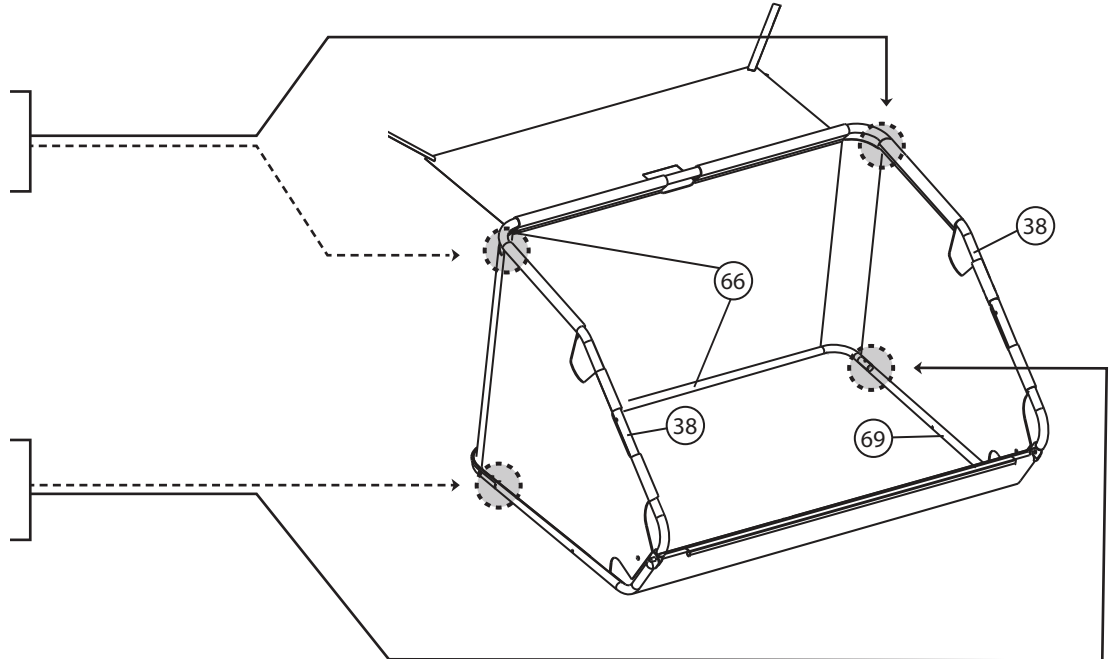


ASSEMBLY

STEP 13

Locate and align the holes in the Upper Rear Tube (66) with the Side Tubes (38).

Locate and align the holes in the Lower Rear Tube (66) with the Bottom Tube (69).

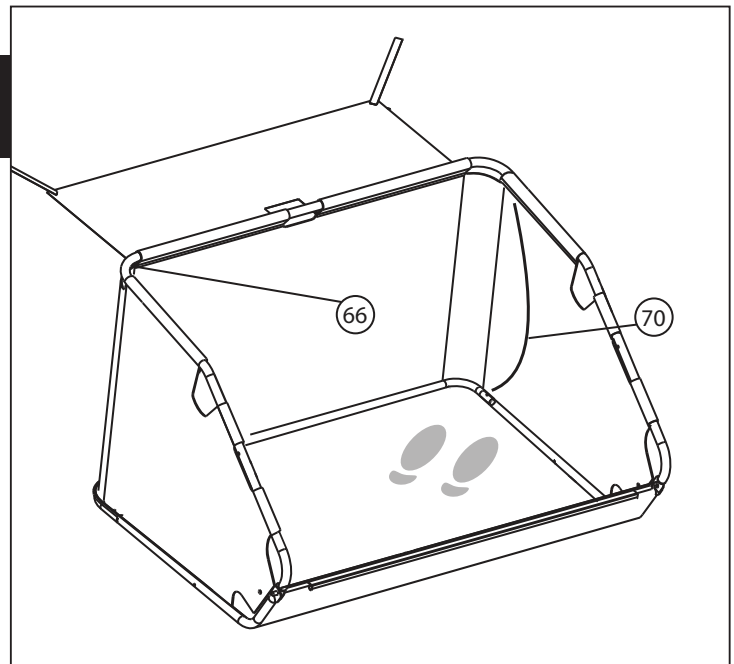


WEAR EYE PROTECTION (SAFETY GLASSES) AND GLOVES WHILE EXECUTING THIS STEP.

The spring rod requires some force to install. After installation, the spring rod will be slightly bent.

Stand in the bottom of the hamper. Insert the end of the spring rod (70) into the lower holes that you've just finished aligning. Pull up on the upper rear tube (66) and insert the other end of the spring rod (70) into the upper holes.

Repeat with second spring rod (70) on the other side of the hamper.



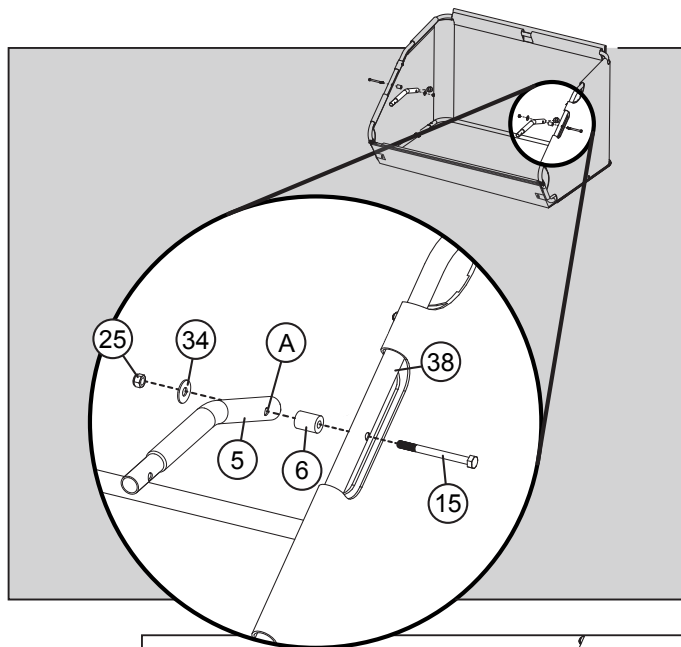
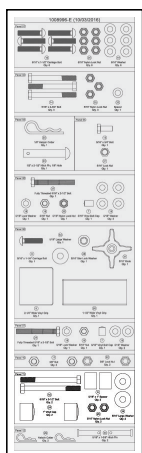
ASSEMBLY

STEP 14

Using the hardware in **PANEL 11**, assemble Hamper Mounts (5) to Upper Side Tubes (38) as shown here.

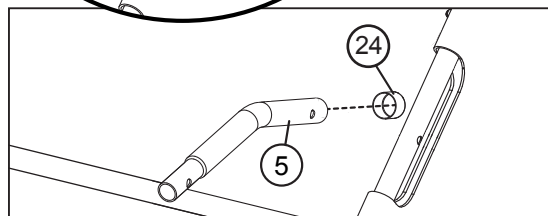
Assemble the following through the Upper Side Tube (5) in the order listed below:

- Hex Bolt (15)
- Upper Side Tube (38)
- Spacer (6)
- Hamper Mount (5)
- Large Washer (34)
- Nylon Lock Nut (25)



Note: Tighten Nylon Lock Nut (25) completely and then loosen enough so that the Hamper Mount (5) pivots freely.

Add the Vinyl Caps (24) to Hamper Mounts (5) as shown.

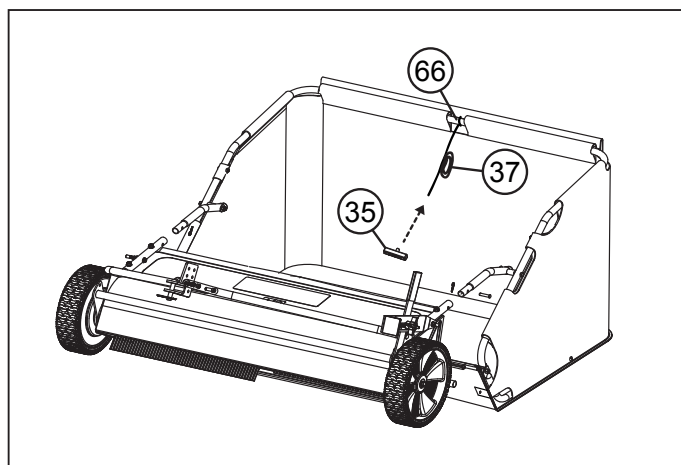
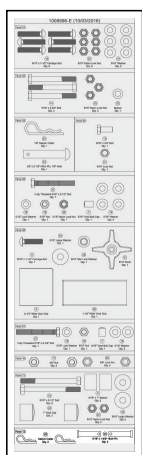


STEP 15

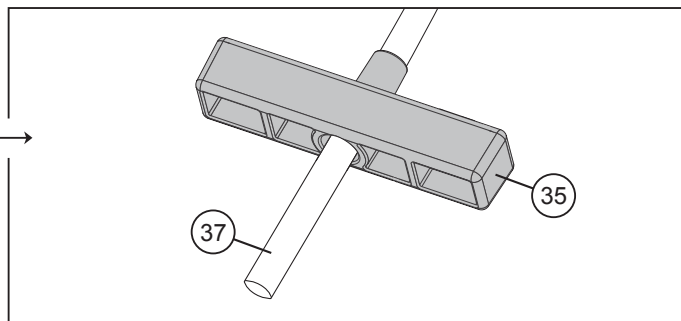
Use the hardware in **PANEL 12** while attaching the Hamper to the Brush Housing.

**After this is complete, detailed instructions for attaching the sweeper to your towing vehicle are available on page 15.*

Tie one end of Hamper Pull Rope (37) to the middle section of the upper Rear Hamper Tube (66).



Thread Pull Handle (35) onto opposite end of the Pull Rope (37) as shown here:



ASSEMBLY

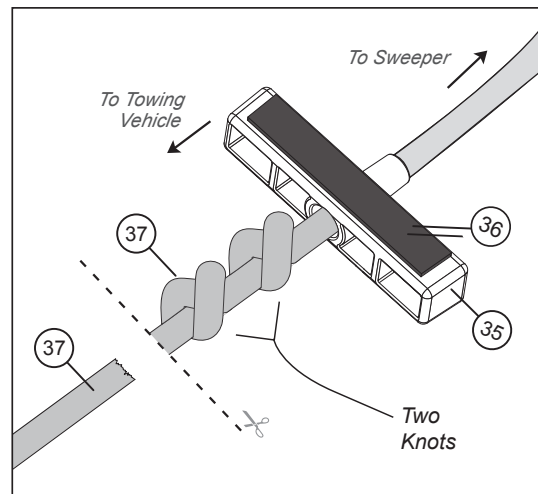
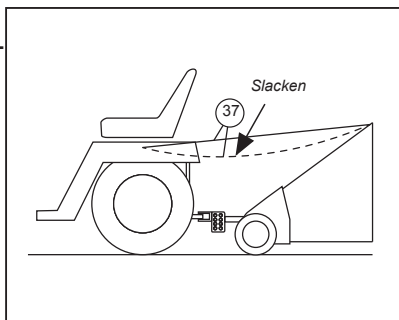
STEP 16

Extend Pull Rope (37) to the back of the towing vehicle to an area that will be easily accessible from the towing vehicle seat. This is the area that the Pull Handle (35) will be attached.

Allow the Pull Rope (37) to slacken several inches.

Droop between the towing vehicle & tied point on the Hamper.

Tie 2 knots in this area of the Pull Rope and drag the Handle (35) toward the knots. Pull to secure their position on the rope.

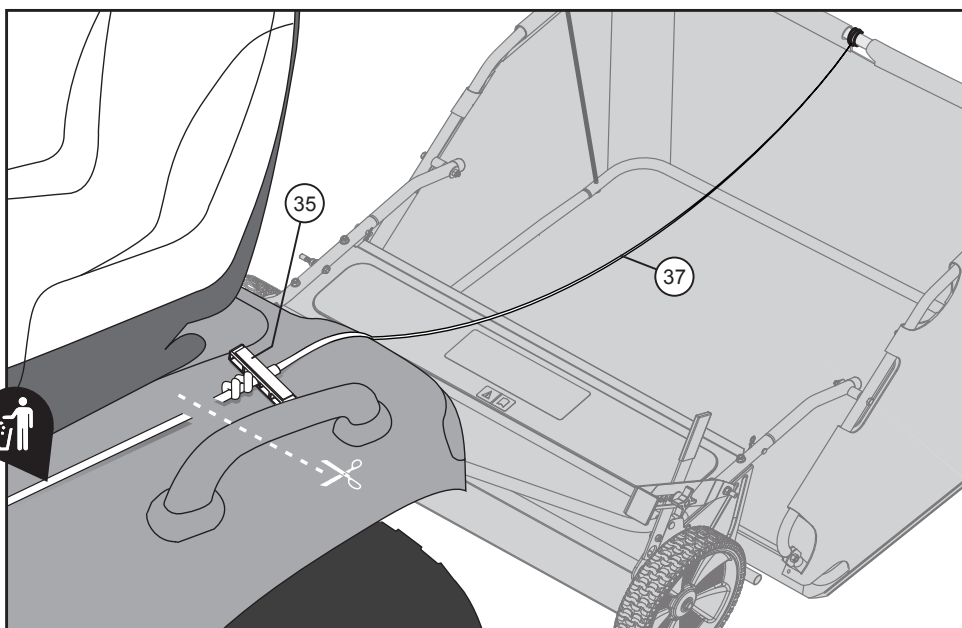


Clean the area of the towing vehicle that the Pull Handle (35) will attach to.

Affix the adhesive Hook and Loop (36) tape to the back of the towing vehicle in the cleaned area.

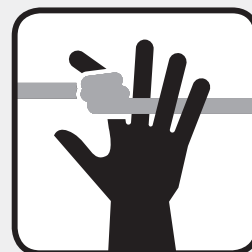
CAUTION: *The pull rope and handle can get tangled in the sweeper brushes of the sweeper during operation.*

Cut and discard any excess rope below the two knots that have been tied.



TO PREVENT ANY POTENTIAL INJURY OR DIGITAL AMPUTATION, PLEASE BE AWARE OF THE FOLLOWING:

- **DO NOT** wrap the pull rope around your wrists, fingers or ANY body parts.
- **DO NOT** use the pull rope while the towing vehicle is moving.
- Attach the pull rope as directed on pages 14-15 of this manual.
- Avoid overfilling the hamper. Heavy loads are more difficult to dump.
- Park towing vehicle and set the parking brake before dumping material.
- Use the handle that has been provided.
- **After dumping the hamper:** Always make sure to fully secure the Pull Handle to the back of the towing vehicle using the Hook and Loop tape.



OPERATION



CAUTION: AVOID INJURY! BEFORE ATTACHING OR REMOVING THE SWEEPER, MAKE SURE THE HAMPER IS EMPTY OF ALL MATERIAL.

ATTACHING THE SWEEPER

1. Park towing vehicle on a hard, level surface and set the parking brake.
2. Align Clevis (68) with towing vehicle hitch plate.
3. Install Hitch Pin (23) through Clevis Assembly (68) and towing vehicle hitch plate & secure with Hairpin Cotter (30).

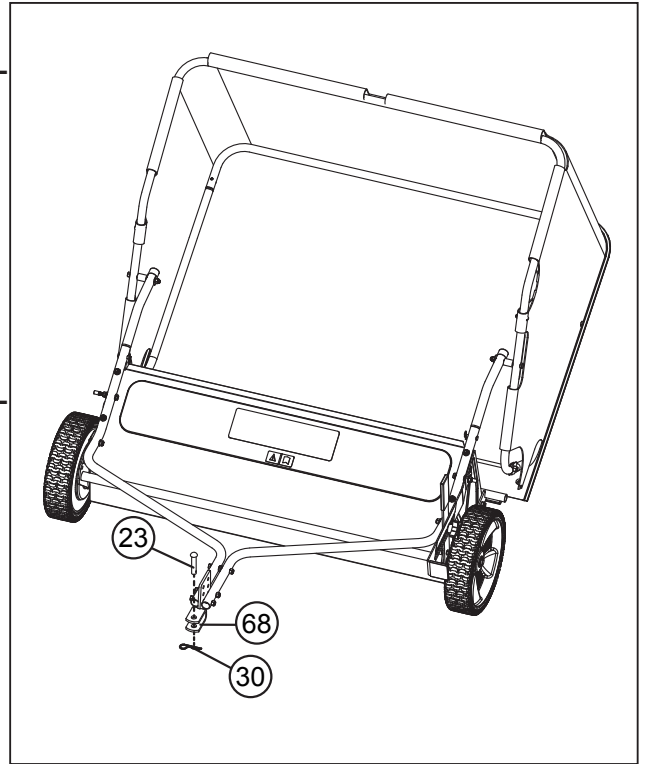
REMOVING THE SWEEPER

1. Confirm Hamper is empty
2. Park towing vehicle on a hard, level surface and set parking brake.



Sweeper and Tow Bar will shift after removal of Hitch Pin. Use caution when removing Hitch Pin & moving sweeper.

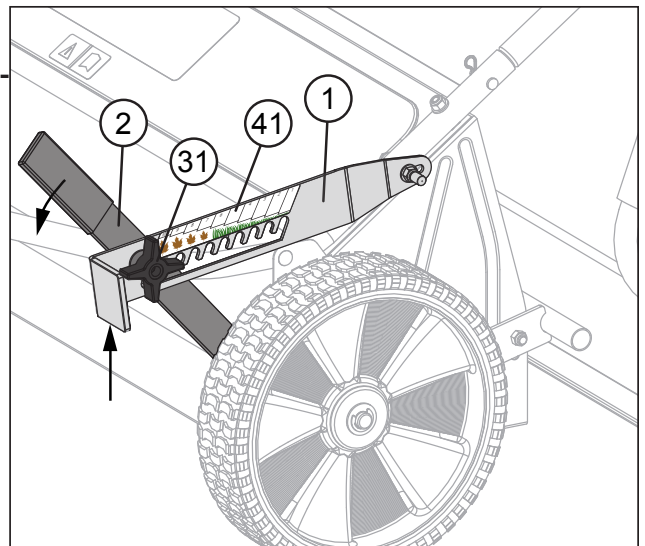
3. Remove Hairpin Cotter (30) and Hitch Pin (23).
4. Push sweeper away from towing vehicle.
5. Install Hitch Pin (23) through Clevis Assembly (68) and secure with Hairpin Cotter (30) for storage.



ADJUSTING TO TRANSPORT POSITION

1. Park towing vehicle on a hard, level surface and set parking brake.
2. Loosen (but do not remove) Knob (31) and adjust the Lock Arm (1) to the 10th position (As indicated on the Adjustment Label (41)).

For adjustment instructions, see the "Adjusting the Brush Height" section.



OPERATION

DETERMINING MAXIMUM TOWED WEIGHT



CAUTION: Avoid injury! Excessive towed load can cause loss of traction and loss of control on slopes. Stopping distance increases with speed and weight of towed load. Total towed weight must not exceed combined weight of towing vehicle, ballast and operator.

STS-427LXH

Weighs 75 lbs (Empty)

Maximum Capacity = 195 lbs with wet grass

**The maximum loaded weight is the average weight of the sweeper plus the weight loaded in the hamper.*



If additional weight is required when towing, add weight at or forward of the rear wheels. Adding weight behind the rear wheels can affect vehicle steering. Refer to your towing vehicle manual for information regarding addition of weight.

Towing capacity will vary with the weight of the towing vehicle and operator. Add the weight of your machine to operator weight to find the maximum capacity for towing.

Example:

If towing vehicle weighs:	400 lbs
Add operator weight:	200 lbs
Combined weight equals:	600 lbs

To maintain stability in this example, you cannot safely tow more than 600 lbs without first adding ballast (additional weight) to the towing vehicle.

OPERATION

ADJUSTING THE BRUSH HEIGHT

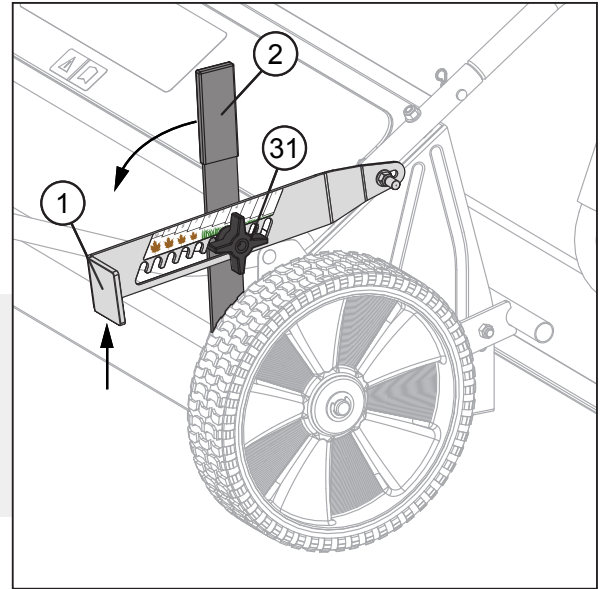
IMPORTANT: Setting the brush height too low for sweeping conditions causes excessive wheel skipping and slipping. For best performance, adjust brush height as high as possible for the material and conditions.

Normal lawn sweeping is accomplished when the brushes sweep at the same height as the mower cutting height.

TO ADJUST BRUSH HEIGHT:

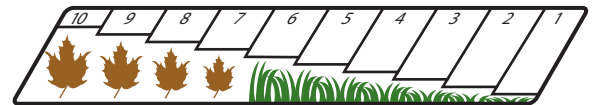
1. Park towing vehicle on a level, hard surface and set the parking brake.
2. Turn towing vehicle off.
3. Measure the height of the of the mower blade.
4. Attach sweeper to the towing vehicle hitch plate as previously described.
5. Adjust Lock Arm (1) into a slot that allows the brushes to sweep at the same height as the mower blade:

- a) Loosen (do not remove) Knob (31).
- b) Apply light downward pressure to the Height Adjustment Handle (2) while lifting up on the Lock Arm (1).
- c) Move Height Adjustment Handle (2) to the desired position and lower Lock Arm (1).
- d) Tighten Knob (31) firmly.



6. Check to be sure that the Hamper is not dragging on the ground & adjust as necessary (see 'Leveling the Hamper' section).

Higher numbers on the Lock Arm (1) decal indicate higher brush heights.



(41) 1009046 (Not to scale)

For best performance, brush height should be set to the highest possible number while still adequately sweeping the lawn.

It is recommended to set the brush height at a higher number than is anticipated to be needed and perform a short sweeping test on the lawn. Reduce brush height one setting at a time until the desired sweeping performance is achieved.

Lock Arm #	Approx. Brush Height	Sweeping Conditions
1 to 3*	1/4" to 1" (6.5mm to 25mm)	Extremely low-cut grass and light material.
3 to 6	1" to 2" (25mm to 50mm)	Mowed lawns under normal conditions or light leaves
6 to 10	2" to 3-1/4" (50mm to 82mm)	High grass, heavy leaves or heavy grass clippings

*Settings 1 to 3 should be used only on very short grass heights and light material.

OPERATION

LEVELING THE HAMPER

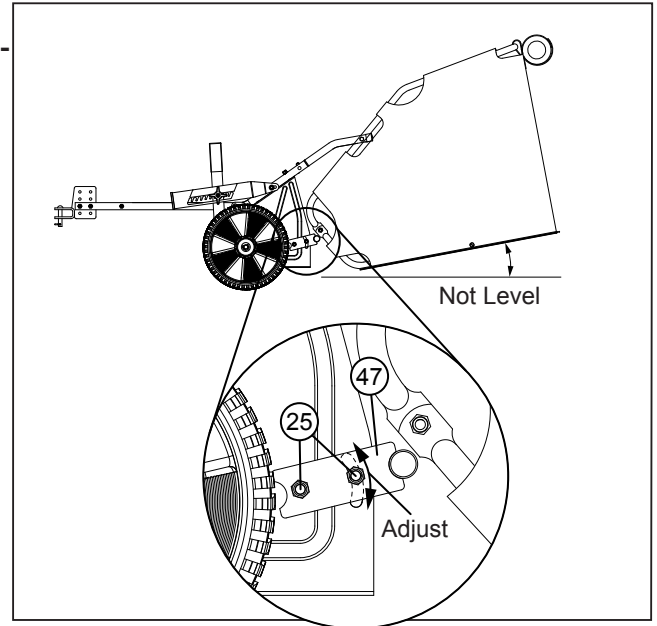
After correct brush height is determined, it may be necessary to adjust the Hamper Stop (47) so that the Hamper assembly remains clear of the ground.

TO ADJUST THE HAMPER STOP (47):

1. Loosen (but do not remove) the two Nuts (25) securing each side of the Hamper Stop (47).
The rear mounting holes are slotted, allowing the Hamper Stop (47) to be pivoted up or down for adjustment.
2. Move the Hamper Stop (47) up or down to adjust the resting position of the Hamper assembly so that it is approximately level.
3. Tighten Nuts (25) on each side to secure the Hamper Stop (47) in position.

If correct Hamper assembly adjustment is not possible, the Clevis Assembly (68) may need to be readjusted so that the Hamper assembly has adequate clearance to the ground.

The sweeper Tow Tubes should be parallel with the ground (or angled slightly forward) when the sweeper is connected to the towing vehicle. If the Tow Tubes are angled rearward, adjust the Tow Tube mounting holes on the Clevis Assembly (68) lower. This will angle the Tow Tubes forward and raise the Hamper assembly.



OPERATING SPEED

The operating ground speed of the sweeper has a direct effect on how material is thrown into the hamper. Material will be thrown farther toward the back of the hamper as ground speed increases.

Operation speed will depend on the condition of the lawn and material being swept. Operate the sweeper at a ground speed that will throw material to the back of the hamper. Under normal conditions 3 mph (approximately the speed of a brisk walk or 40 feet in 9 seconds) works best.

Maximum operating speed is 5 mph.

OPERATION

EMPTYING THE HAMPER

Before dumping material from the Hamper: Park towing vehicle and set parking brake (see owners manual).

TO EMPTY HAMPER:

1. Tow the sweeper to a location the material should be dumped.
2. Stop towing vehicle and set parking brake.
3. Pull Handle (35) and Rope (37) to tilt hamper forward/upward, allowing material to exit the opening at the front of the Hamper.
4. Replace Pull Handle (35) to Hook and Loop (36) fixed to the towing vehicle.



CAUTION: AVOID INJURY!

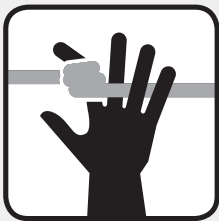
Make sure area is clear of bystanders, especially children, before backing up.

IMPORTANT: Avoid overfilling the Hamper, especially when sweeping freshly mowed grass or other moist material. Heavy loads will be more difficult to dump.

IMPORTANT: After dump operation is complete, confirm Pull Handle (35) is fully secured to the back of the towing vehicle. Pull Rope and Handle can get tangled in the sweeper brushes if they fall on the ground in front of the sweeper during operation.



TO PREVENT ANY POTENTIAL INJURY OR DIGITAL AMPUTATION, PLEASE BE AWARE OF THE FOLLOWING:



- **DO NOT** wrap the pull rope around your wrists, fingers or ANY body parts.
- **DO NOT** use the pull rope while the towing vehicle is moving.
- Attach the pull rope as directed on pages 14-15 of this manual.
- Avoid overfilling the hamper. Heavy loads are more difficult to dump.
- Park towing vehicle and set the parking brake before dumping material.
- Use the handle that has been provided.
- **After dumping the hamper:** Always make sure to fully secure the Pull Handle to the back of the towing vehicle using the Hook and Loop tape.

USING THE WIND SCREEN

The Hamper Wind Screen can be configured in two positions based on conditions & preference.

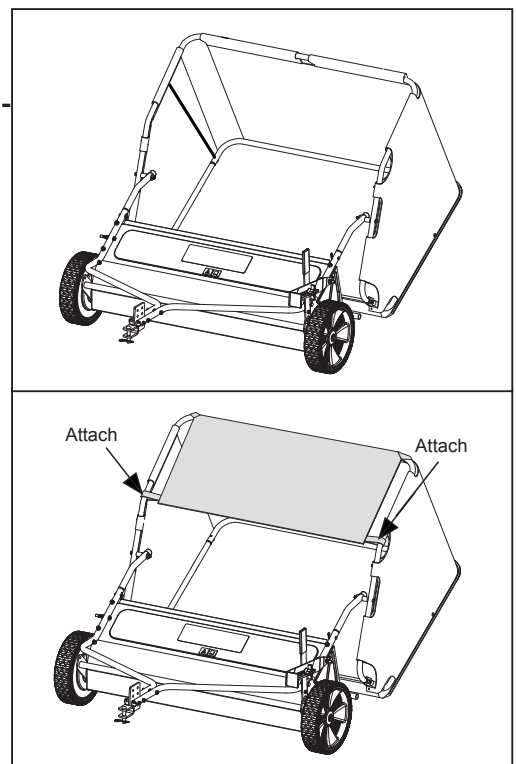
POSITION 1: Wind Screen Fully Open

Allow the Wind Screen to hang off the back of the Hamper. This condition can be used when there is little to no wind; Operating speed should be slower to ensure material is not thrown over the Hamper.

POSITION 2: Wind Screen Half Closed

Attach the Wind Screen to the Hamper Upper Side Tubes using the elastic straps on the ends of the Wind Screen.

Can be used in a medium wind to prevent material from blowing out of Hamper; Operating speed should be slower to ensure material is not thrown over the Hamper or Wind Screen.

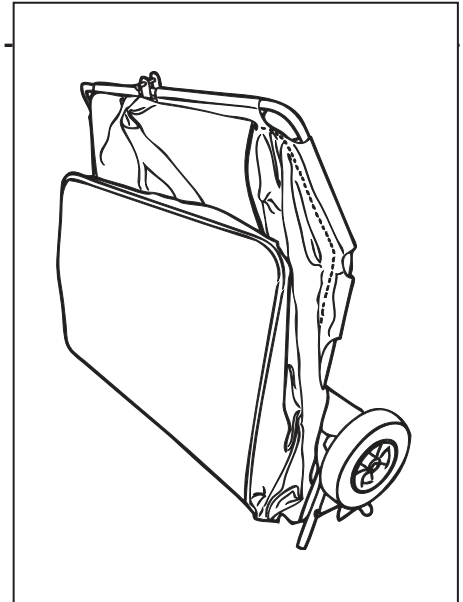


OPERATION

STORAGE

The sweeper can be tipped upright & stored against a wall using a minimum of space.

1. Remove any loose material from hamper, brushes, brush housing and drive assembly. The sweeper should be clean and dry before configuring for storage.
2. Remove small hairpin cotters and clevis pins that are securing the hamper assembly to the brush housing. Remove the hamper assembly. Replace the clevis pins and hairpin cotters in the hamper mount tubes for storage.
3. Collapse the hamper by removing the two spring rods (70) from the hamper. Orientate the collapsed hamper so that the rear hamper tubes are up. Put rope and pull handle into the pocket created between the rear hamper tubes.
4. On sweeper, adjust brush height to position 10 on the Lock Arm
5. Roll sweeper to desired storage area. Lift clevis assembly vertically so that the sweeper is standing upright on the hamper mount tubes and hamper stop bar. Move close to the wall so that the top of the brushing housing faces the wall (brushes face out).
6. Position collapsed hamper between sweeper & wall and hang on the clevis assembly, from the middle of the rear hamper tube.



TROUBLESHOOTING

If the sweeper does not pick up:	<ol style="list-style-type: none"> 1. The brush height adjustment is set too low. The sweeper is not a dethatcher and cannot pull thatch, embedded needles or embedded leaves from deep in the grass. The brush height should be adjusted to the height of the mower deck blades. 2. The brush height adjustment is set too high. Lower the brush height one notch at a time on the lock arm until the desired performance is achieved. 3. There is a problem with the brush drive system. See the 'Sweeper Wheels' section below.
Grass or material goes over the top of the hamper:	<ol style="list-style-type: none"> 1. Forward speed is too fast. Slow towing vehicle down. Best speed is 3 mph or less (3 mph = 40 feet in 9 seconds). 2. The wind screen can be used to remedy this concern. See the 'Using the Wind Screen' information in the 'OPERATION' section of this manual.
Sweeper wheels not moving, skipping or are locking up:	<ol style="list-style-type: none"> 1. The wheels are geared to turn the sweeper brushes. If the sweeper wheels are not moving, skipping or locking up; it is possible that the brush height is set too low. Measure the cut height of the mower. Adjust the brush height to sweep at the same level as the cut height. 2. The drive dowel(s) located inside the small metal drive pinion gear(s) are sticking. Remove, clean and lubricate the dowel(s), drive pinion gear(s) and brush axle as shown in the 'Preventative Maintenance' section of this manual. 3. The drive pinion gear(s) are worn and because of this it locks the drive dowel(s). Remove, inspect and replace the drive pinion gear(s) and drives dowel(s) as needed. See 'Preventative Maintenance' section of this manual. 4. The drive pinion gears, when re-installed, were installed backwards. For example: the right side gear was installed on the left side of the sweeper. See the 'Preventative Maintenance' section of this manual for proper drive pinion gear assembly.
Hamper drags on the ground:	<ol style="list-style-type: none"> 1. The tow bars are not level with the ground when attached to the towing vehicle. Remove the clevis assembly and reinstall in a different set of mounting holes. The clevis can be turned over to get additional adjustment. See assembly 'Figure 02' and 'Leveling the Hamper' sections of this manual.
Hamper orientation is too high:	<ol style="list-style-type: none"> 1. Hamper mount tubes are assembled upside down. See Assembly Step 14 (on page 14) and confirm orientation of hamper mount tubes.

MAINTENANCE



IMPORTANT: Safety glasses should be worn while performing maintenance operations on the sweeper. Solvent proof gloves (rubber or latex), should be worn when using any cleaning or lubrication products.

GENERAL PREVENTATIVE MAINTENANCE

1. Do not allow material to remain in the Hamper for extended periods of time. Clean the Hamper using a water hose and allow it to dry completely before storage.
2. Check all moving parts for wear and freedom of movement.
3. Check all fasteners for tightness and retighten as required.
4. Inspect for rust on painted surfaces. Sand lightly and touch up damaged areas with enamel paint.
5. Routine lubrication of the Dowel Pin and Drive Pinion is required. At a minimum it is recommended to do this twice per year: in the fall before storage, and again in the spring before the first use. Follow the procedure outlined below in the 'Wheel and Drive Gear' maintenance section.
6. Check the Drive Pinions and Dowel Pins for wear and replace as needed. These are considered normal wear parts. Contact the Customer Service Department to purchase replacement parts.
7. Lubricate the Wheel Axles annually following the procedure outlined in the Maintenance section.

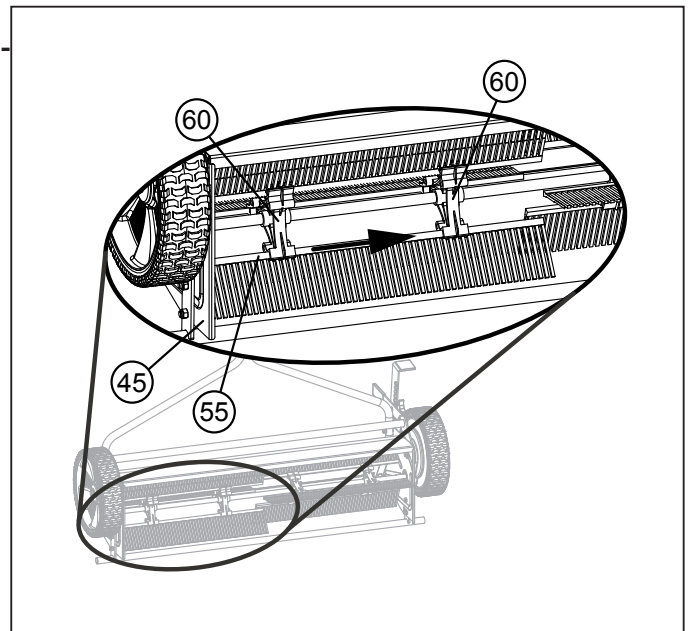
BRUSH SECTION REPLACEMENT

Note: This procedure will show an example for right side Brush Section (55) replacement. Reverse pull directions for left side Brush Section replacement.

TOOLS NEEDED:

- Safety Glasses
- Work Gloves
- Rubber Mallet

1. Stand the sweeper in storage position on a clean flat surface such as garage floor or sidewalk (do not hang hamper from clevis assembly).
2. Inspect the Brush Section and notice which side has the short bristles (these will be located near the metal rail of the Brush Section). It is important that the new Brush Section is assembled in the same orientation.
3. Using the rubber mallet, tap the metal rail of the Brush Section (55) to the left. This will loosen the Brush Section from the Brush Holders (60).
4. Wearing work gloves, firmly grasp the Brush Section (55) between the Brush Holders (60) and pull to the right. Continue to pull the Brush Section (55) to the right until it is free from both Brush Holders (60). *Note: It may be necessary to have a second person hold the sweeper in place while pulling the Brush Section (55) free.*
5. Align the metal rail of the new Brush Section (55) with groove on inside Brush Holder (60). *Note: Orientation of Brush Section (55) short bristles must be as observed in Step 2.*
6. Tap Brush Section (55) into Brush Holder (60) using the rubber mallet.
7. Continue to tap Brush Section (55) into the first Brush Holder (60). Be sure to align the metal rail of the Brush Section (55) with the groove on the second Brush Holder (60).
8. Continue to tap Brush Section (55) into Brush Holders (60) until the metal rail aligns with the remaining two Brush Sections (55) or about 1/2 to 3/4 inch from Brush Housing (45) side panel.
9. Turn brush assembly and confirm there is no contact between the metal rail of the Brush Section (55) and the Brush Housing (45) side panel. If there is contact, pull the Brush Section (55) to the right until brush assembly spins freely.
10. Repeat as need for the remaining Brush Sections (55).



MAINTENANCE



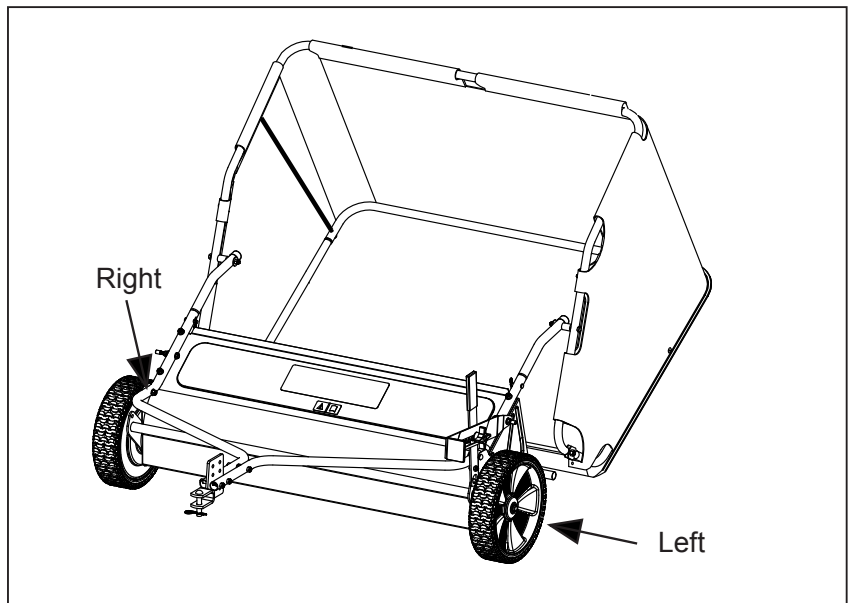
IMPORTANT: Safety glasses should be worn while performing maintenance operations on the sweeper. Solvent proof gloves (rubber or latex), should be worn when using any cleaning or lubrication products.

WHEEL & DRIVE GEAR

IMPORTANT: Drive Pinions (64 & 65) are Right and Left hand specific as indicated on the bottom surface of the part. Left hand Drive Pinion (64) is indicated with 'L' and right hand Drive Pinion is indicated with 'R'. Refer to the illustration below showing the right and left side of sweeper.

TOOLS NEEDED:

- Safety Glasses
- Medium Flat Tip Screwdriver
- Retaining Ring Pliers (External)
- 7/16 inch Wrench
- 1/4 inch Wrench
- Rubber / Latex Gloves

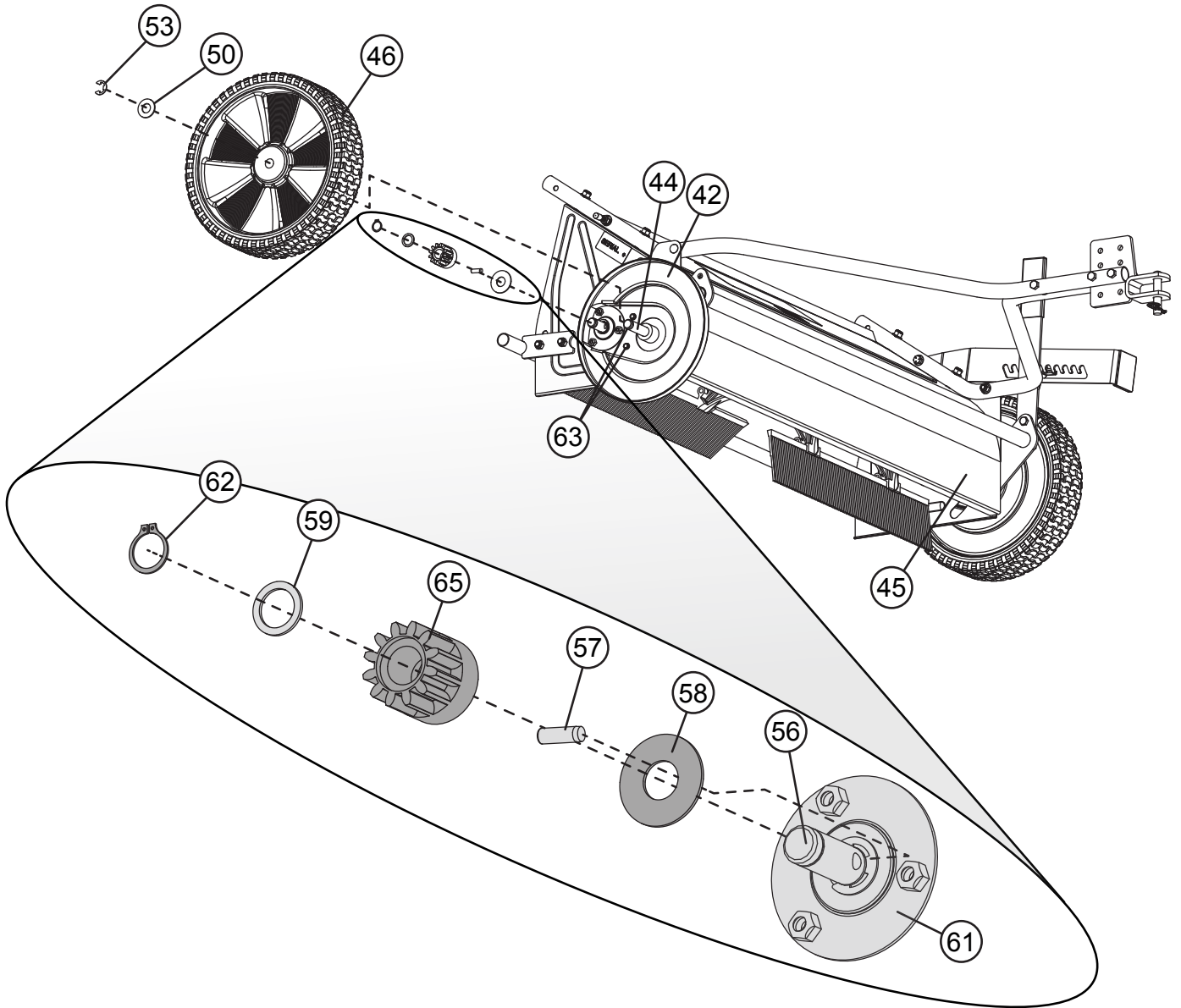


MAINTENANCE



IMPORTANT: Safety glasses should be worn while performing maintenance operations on the sweeper. Solvent proof gloves (rubber or latex), should be worn when using any cleaning or lubrication products.

WHEEL AND DRIVE GEAR



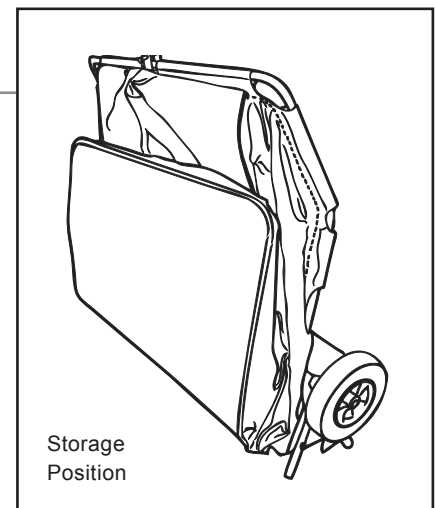
MAINTENANCE

WHEEL AND DRIVE GEAR

REF	PART NO.	DESCRIPTION	QTY	REF	PART NO.	DESCRIPTION	QTY
42	1008955	Dust Cover	2	57	R-2261	1/4" x 3/4" Dowel Pin	2
44	1008959-01	Wheel Axle	2	58	R-2262	5/8" Large Flat Washer	2
45	1008986-10SER	Brush Housing	1	59	R-2263	5/8" Flat Washer	2
46	1008987	Wheel	2	61	R-2289SER	Bearing Retainer	2
50	B-4768	5/8" Machine Bushing	4	62	R-2320	5/8" External Retaining Ring	2
53	F-577	5/8" E Ring	6	63	R-2321	Screw, Tapping, #12 X 3/8	4
54	L-1744	Label, Serial No	1	65	R-2485RH	RH Drive Pinion (Not Shown)	1
56	R-2259-01	Brush Axle	1				

DISASSEMBLY & INSPECTION:

- Stand the sweeper in storage position on a clean flat surface such as a garage floor or sidewalk (do not hang hamper from clevis assembly).
- Using a medium flat tip screwdriver, remove E-Ring (53).
- Remove Machine Bushing (50) & Wheel (46).
- Inspect Wheel gear & Wheel Axle hole for damage & wear.
- Inspect Wheel Axle (44) for damage & wear.
Note: Wheel Axle (44) can be removed from the inside of the brush housing.
- Clean any dirt or debris from the inside of the Wheel (46) and Dust Cover (42)
- Confirm the Tapping Screws (63) holding the dust cover in place are not loose.
Warning: Do not over tighten!
- Remove Retaining Ring (62) from recess in drive pinion gear. This example shows the RH Drive Pinion or (65).
- Remove Flat Washer (59) and Drive Pinion (65). Note: Cup one hand under the Drive Pinion during removal as the Dowel Pin (57) may fall free.
- Inspect and clean the inside of the Drive Pinion. Note that the bottom of this gear has 'R' emboss into it, indicating the RH Drive Pinion.
- Remove the Dowel Pin (57) from the Brush Axle (56) (if it has not already fallen free).
- Inspect and clean the Dowel Pin
- Inspect and clean the Dowel Pin hole on the brush axle.
A small rag or paper towel can be used to clean the inside of the hole.
- Remove the Large Flat Washer (58). Inspect and clean the washer and the area around the Brush Axle (56).



If Bearing Retainer (61) replacement is needed, continue with Step 15.

If Bearing Retainer (61) does not need replacement, continue at 'Assembly and Lubrication' section.

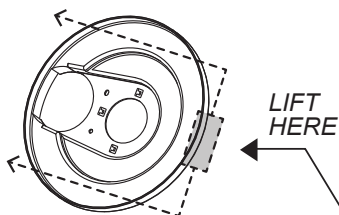
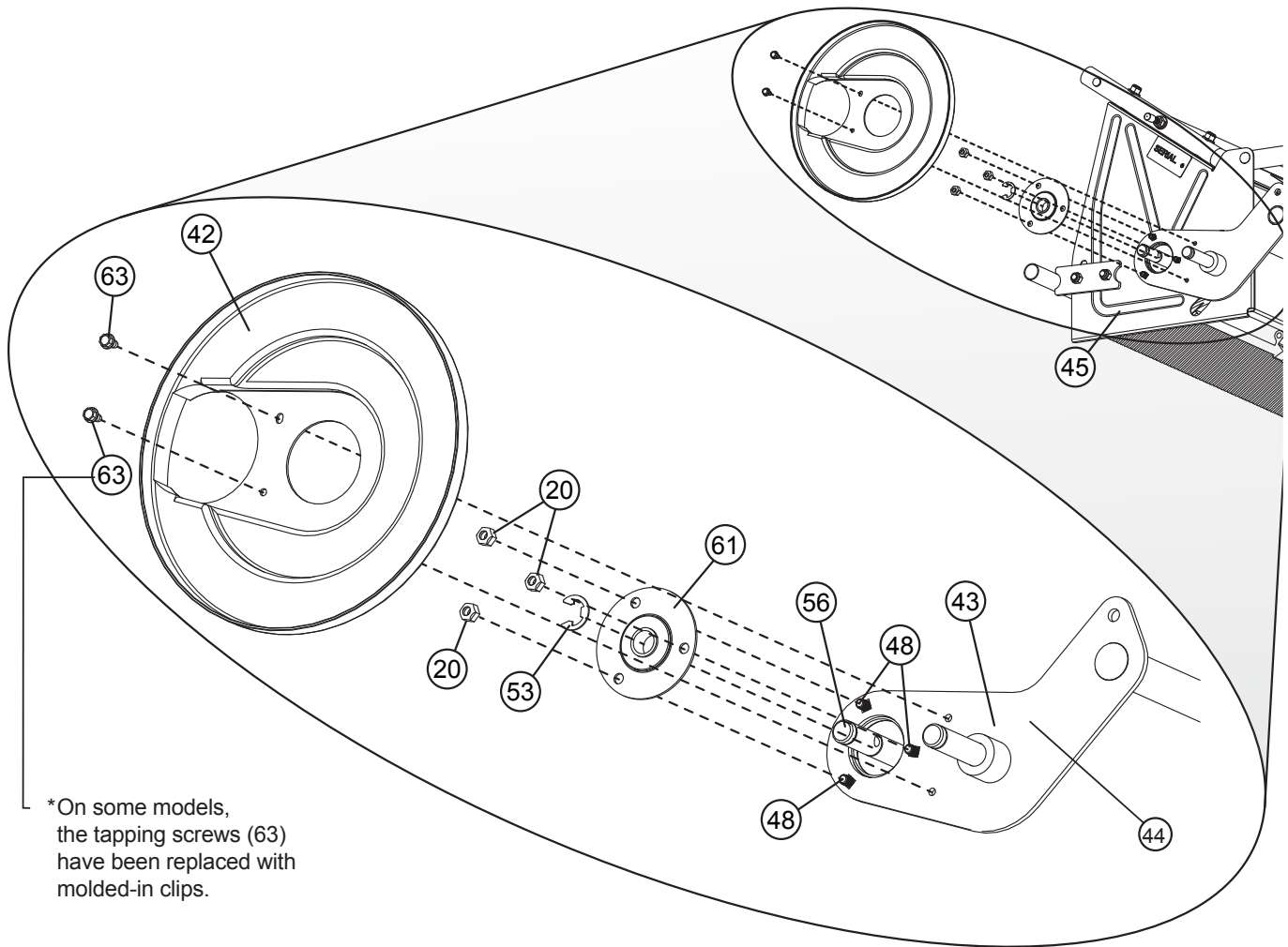
- If Bearing Retainer (61) replacement is needed, remove Tapping Screws (63) and Dust Cover (42).
- Remove E-Ring (53) using a medium flat tip screwdriver.
- Remove the Lock Nuts (20) securing the Bearing Retainer.
Note: Do not let the Carriage Bolts (48) fall out of the Lower Pivot (43) side plate.
- Remove Bearing Retainer (61)

MAINTENANCE



IMPORTANT: Safety glasses should be worn while performing maintenance operations on the sweeper. Solvent proof gloves (rubber or latex), should be worn when using any cleaning or lubrication products.

DUST COVER & BEARING RETAINER



HOW TO REMOVE THE DUST COVER (42) IF THERE ARE NO SCREWS:
Lift up on the edge furthest from the brush axle opening and slide the entire cover toward the brush axle (56).

MAINTENANCE

DUST COVER & BEARING RETAINER

REF	PART NO.	DESCRIPTION	QTY	REF	PART NO.	DESCRIPTION	QTY
20	B-1673P	1/4" Lock Nut	6	49	50M0624P	3/16" x 1-1/2" Cotter Pin	4
42	1008955	Dust Cover	2	53	F-577	5/8" E Ring	6
43	1008957-10	Lower Pivot	1	56	R-2259-01	Brush Axle	1
44	1008959-01	Wheel Axle	2	61	R-2289SER	Bearing Retainer	2
45	1008986-10SER	Brush Housing	1	62	R-2320	5/8" External Retaining Ring	2
48	11M0808P	1/4" x 1/2" Carriage Bolt	6	63	R-2321	Screw, Tapping, #12 X 3/8	4

ASSEMBLY & LUBRICATION:

If Bearing Retainer (61) was removed, continue with Step 1.

If Bearing Retainer (61) was not removed, begin at Step 5.

1. Insert new Bearing Retainer (61) onto Brush Axle (56). The Bearing Retainer (61) should fit flush on the Lower Pivot (43) side plate with the Bearing Retainer (61) flange fitting inside the hole in the Lower Pivot (43) side plate and hole in the Brush Housing (45).
Note: Take care when assembling the new Bearing Retainer (61) so that the Carriage Bolts (48) remain in Lower Pivot (43) side plate.
2. Assemble the 3 Lock Nuts (20) securing the Bearing Retainer (61). Tighten all three Lock Nuts (20).
3. Snap E-Ring (53) into place on the Brush Axle (56). Note: Be sure E-Ring is fully engaged with groove on Brush Axle (56).
4. Assemble the Dust Cover (42) to the Lower Pivot (43) side plate using the Tapping Screws (63). Warning: Do not over tighten!
5. Apply WD40, 3 in 1 oil or other similar light lubricant directly to the inside of the Dowel Pin hole.
6. Replace the Large Flat Washer (58) onto the Brush Axle (56) until it touches the Bearing Retainer (61).
7. Turn the Brush Axle (56) so that the Dowel Pin hole is horizontal with the ground.
8. Apply WD40, 3 in 1 oil or other similar light lubricant to the Dowel Pin (57) and insert into the Dowel Pin hole on the Brush Axle (56).
Note: Center the Dowel Pin (57) so that an even amount is showing on both sides of the Brush Axle (56).
9. Insert the Drive Pinion (65) onto Brush Axle until it touches the Large Flat Washer (58).
Note: Dowel Pin (57) will now be inside the Drive Pinion (65).
10. Insert Flat Washer (59) over the Brush Axle (56) and into the recess on the Drive Pinion (65).
11. Assemble the Retaining Ring (62) onto the Brush Axle (56). Be sure that the Retaining Ring (62) is fully engaged with the groove on the Brush Axle (56).
12. If removed, replace the Wheel Axle (44) from the inside of the Brush Housing (45).
13. Apply a light coating of general purpose axle oil/grease to the Wheel Axle (44).
14. While holding the Wheel Axle (44) on the inside of the Brush Housing (45), insert the Wheel (46) onto the Wheel Axle (44).
Note: Wheel may have to be turned slightly to engage Wheel gear with Drive Pinion gear.
15. Replace the Machine Bushing (50) and snap E-Ring (53) into place on Wheel Axle (44). Note: Be sure E-Ring is fully engaged with groove on Wheel Axle (44).
Repeat for left side Wheel and Drive Gear service.



MANUFACTURER'S LIMITED WARRANTY FOR BRINLY PULL-BEHIND ACCESSORIES

The limited warranty set forth below is given by Brinly-Hardy Company with respect to new merchandise purchased and used in the United States, its possessions and territories.

Brinly-Hardy Company warrants the products listed below against defects in material and workmanship, and will at its option, repair or replace, free of charge, any part found to be defective in materials or workmanship. This limited warranty shall only apply if this product has been assembled, operated, and maintained in accordance with the Operator's manual furnished with the product, and has not been subject to misuse, abuse, commercial use, neglect, accident, improper maintenance, alteration, vandalism, theft, fire, water, or damage because of other peril or natural disaster.

Normal Wear Parts or components thereof are subject to separate terms as follows: All normal wear parts or component failures will be covered on the product for a period of 90 days.

Parts found to be defective within the warranty period will be replaced at our expense. Our obligation under this warranty is expressly limited to the replacement or repair, at our option, of parts found to be defective in material and workmanship.

HOW TO OBTAIN SERVICE: Warranty parts replacements are available, **ONLY WITH PROOF OF PURCHASE**, through our Customer Service Department. Call 877-728-8224.

This limited warranty does not provide coverage in the following cases:

- a) Routine maintenance items such as lubricants and filters.
- b) Normal deterioration of the exterior finish due to use or exposure.
- c) Transportation and/or labor charges.
- d) The warranty does not include commercial and/or rental use.

No implied warranty, including any implied warranty of merchantability of fitness for a particular purpose, applies after the applicable period of express written warranty above as to the part as identified below. No other express warranty whether written or oral, except as mentioned above, given by any person or entity, including a dealer or retailer, with respect to any product, shall bind Brinly-

Hardy Co. During the period of the warranty, the exclusive remedy is repair or replacement of the product as set forth above.

The provisions as set forth in this warranty provide the sole and exclusive remedy arising from the sale. Brinly-Hardy Co. shall not be liable for incidental or consequential loss or damage including, without limitation, expenses incurred for substitute or replacement lawn care services or for rental expenses to temporarily replace a warranted product.

Some states do not allow the exclusion or limitation of incidental or consequential damages, or limitations on how long an implied warranty lasts, so the above exclusions or limitations may not apply to you.

During the warranty period, the exclusive remedy is replacement of the part. In no event shall recovery of any kind be greater than the amount of the purchase price of the product sold. Alteration of safety features of the product shall void this warranty. You assume the risk and liability for loss, damage, or injury to you and your property and/or to others and their property arising out of the misuse or inability to use this product.

This limited warranty shall not extend to anyone other than the original purchaser or to the person for whom it was purchased as a gift.

HOW STATE LAW RELATES TO THIS WARRANTY:

This limited warranty gives you specific legal rights, and you may also have other rights which vary from state to state.

IMPORTANT: The Warranty period stated below begins with the **PROOF OF PURCHASE**. Without the proof of purchase, the Warranty period begins from the date of manufacture determined by the serial number manufacturing date.

WARRANTY PERIOD:

The warranty period for the product shown in this manual is as follows: Steel Frame Parts: 2 Years. Tires, Wheels and Drive are normal wear parts - 90 days.