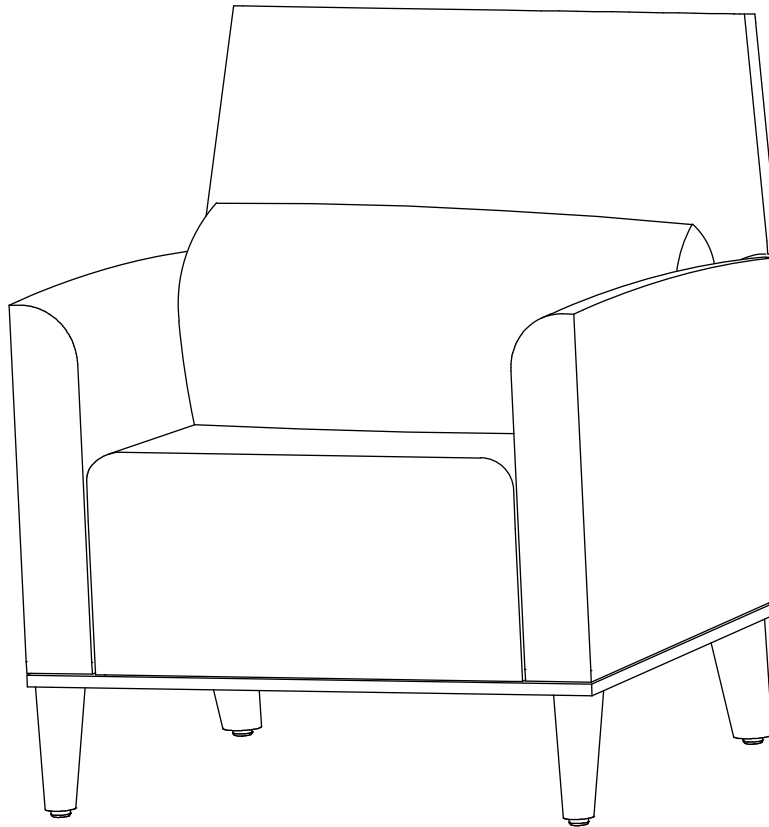




Item # 662 712
Model # FCS80234TPK

USE AND CARE GUIDE

ARIA LOUNGE 2-PACK CHAIRS



Questions, problems, missing parts? Before returning to the store,
call Hampton Bay Customer Service.
8 a.m. - 7 p.m., EST, Monday - Friday, 9 a.m. - 6 p.m., EST, Saturday

1-855-HD-HAMPTON

HAMPTONBAY.COM

THANK YOU

We appreciate the trust and confidence you have placed in Hampton Bay through the purchase of these lounge chairs. We strive to continually create quality products designed to enhance your home. Visit us online to see our full line of products available for your home improvement needs. Thank you for choosing Hampton Bay!

Table of Contents


Table of Contents.....	2	Pre-Assembly	3
Safety Information	2	Planning Assembly	3
Product Caution	2	Hardware Included	3
Safety Warnings	2	Package Contents	4
Warranty	2	Assembly	5
What is Covered	2	Care and Cleaning.....	10
What is Not Covered	2		

Safety Information


PRODUCT CAUTION


This lounge chair was made for the explicit purpose of providing outdoor functions and is not to be used as a toy. This product is intended for normal outdoor use; however, the manufacturer recommends storing and / or covering this chair when any formidable / severe weather is approaching. Do not locate the product near open flame. Do not use the product as a support. Do not shake, lean or climb on product. Children under the age of 10, near the product, should be supervised by a competent adult at all times. This product is NOT intended for commercial use and will void the warranty.

SAFETY WARNINGS


 **WARNING:** Weight limit for chairs is 250 lbs (113.39 Kg) for each seat.

 **CAUTION:** Do not locate the product near any heat source.

 **WARNING:** Please keep children out of the assembly area before assembly.

 **WARNING:** Never use this product as a support. Do not shake, lean, or climb on the product at any time.

 **WARNING:** This lounge chair is heavy, and may require two adults for safe assembly.

 **CAUTION:** When not in use, secure the product in a cool and covered location.

Warranty

2 YEAR FRAME AND 2 YEAR FABRIC LIMITED WARRANTY

WHAT IS COVERED

We warrant the frame to be free of manufacturing defects to the original purchaser for two years, and a two year limited warranty for the fabric.

WHAT IS NOT COVERED

It remains the customer's responsibility for freight and packaging charges to and from our service center. This warranty does not cover commercial use, hardware, acts of nature, fire, freezing and abusive use. In addition, purchased parts are not covered under this warranty. We reserve the right to make substitutions with similar merchandise, if the model in question is no longer in production.

Contact the Customer Service Team at 1-855-HD-HAMPTON or visit www.HamptonBay.com.

Pre-Assembly

PLANNING ASSEMBLY

Read all instructions before assembly.

To avoid damaging this product, assemble it on a soft, non-abrasive surface such as carpet or cardboard.

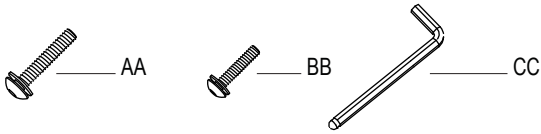


NOTE: More than one person may be required to assemble this product.

HARDWARE INCLUDED



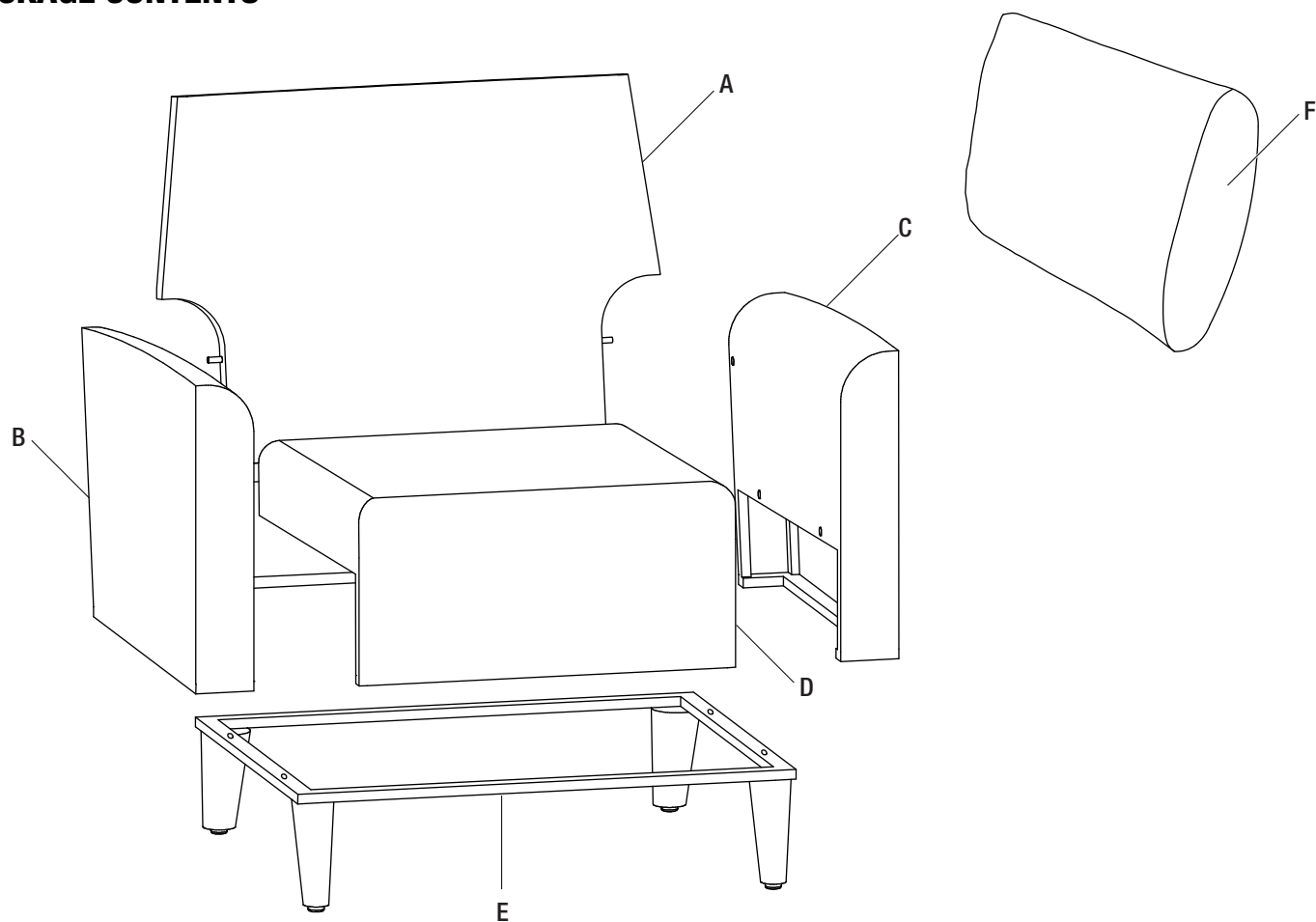
NOTE: Hardware not shown to actual size.



Part	Description	Quantity
AA	M6x35 combination bolt	8+1
BB	M6x30 combination bolt	20+1
CC	Hex wrench	1

Pre-Assembly (continued)

PACKAGE CONTENTS



Part	Description	Quantity
A	Chair back	2
B	Right arm	2
C	Left arm	2
D	Chair seat	2
E	Chair leg	2
F	Pillow	2

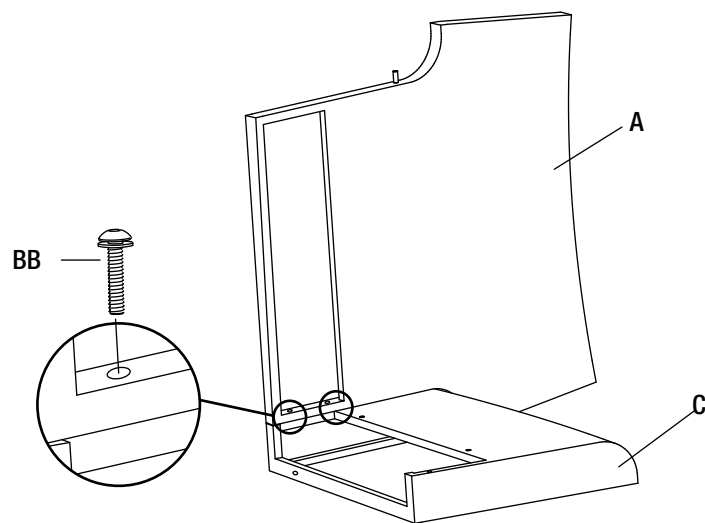
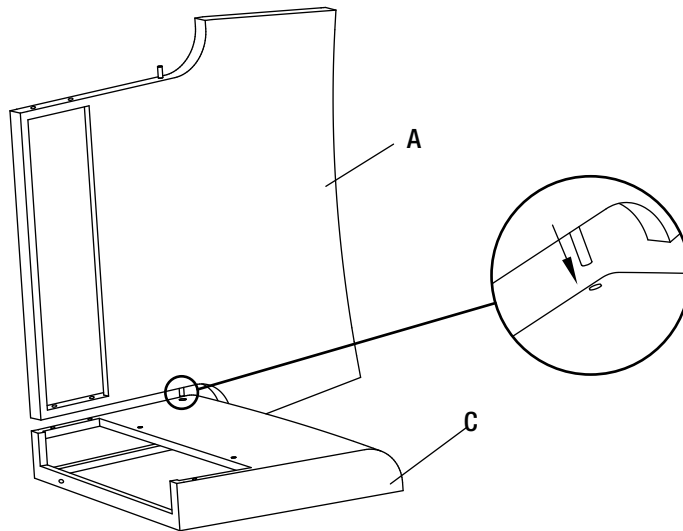
Assembly

1 Connecting the chair back to the left arm

- Place the left arm (C) on a soft surface.
- Insert the joint of the chair back (A) into the hole of the left arm (C) as shown below.
- Secure the chair back (A) to the left arm (C) with an an M6x30 combination bolts (BB).



NOTE: Loosely tighten all the bolts using the hex wrench (CC).



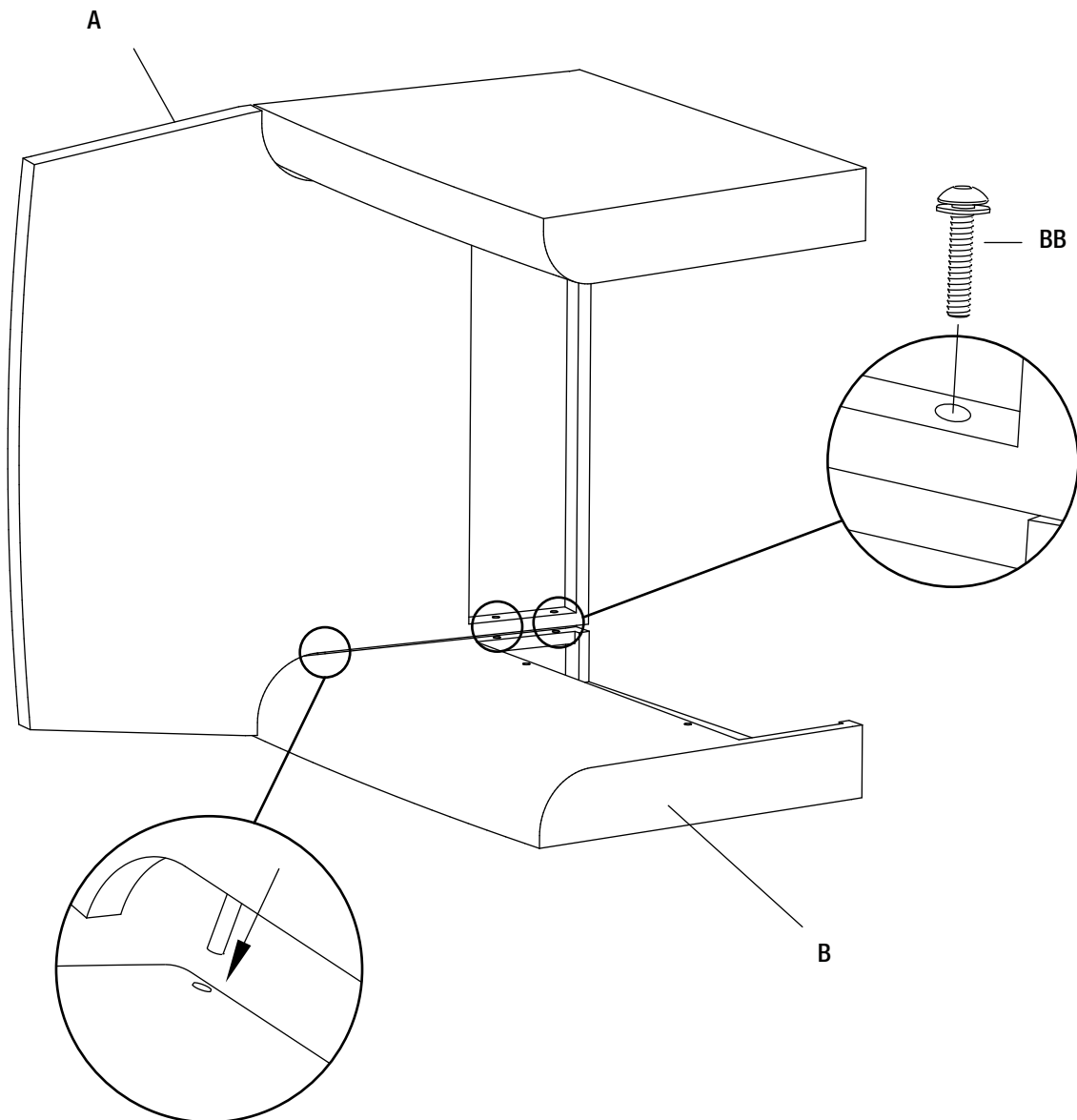
Assembly (continued)

2 Connecting the chair back to the right arm

- Place the right arm (B) on a soft surface.
- Insert the joint of the chair back (A) into the hole of the right arm (B) as shown below.
- Secure the chair back (A) to the right arm (B) with M6x30 combination bolts (BB).



NOTE: Loosely tighten all the bolts using the hex wrench (CC).



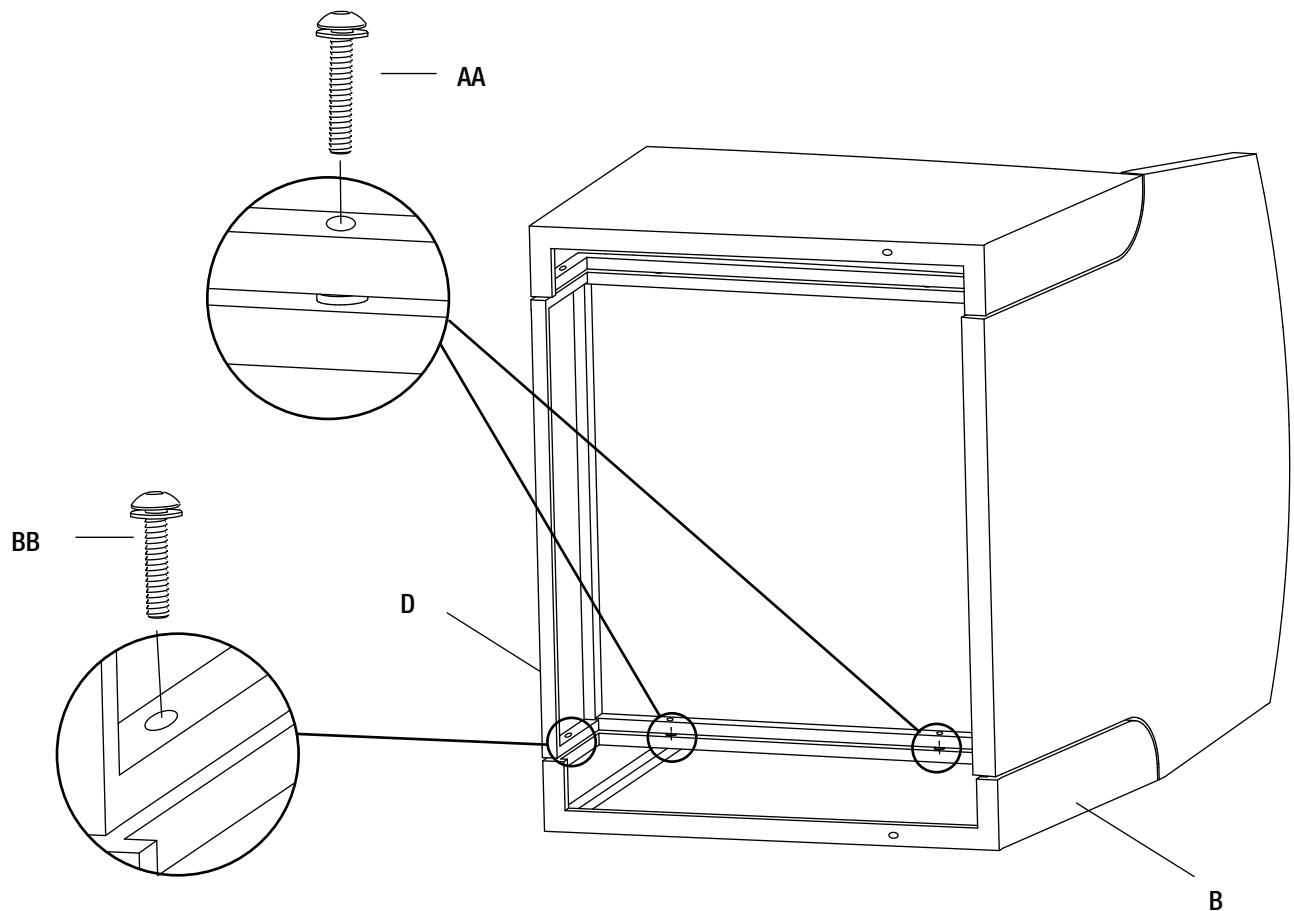
Assembly (continued)

3 Connecting the chair seat to the right arm

- Attach the chair seat (D) to the right arm (B) using M6x35 combination bolts (AA) and M6x30 combination bolt (BB).



NOTE: Loosely tighten all the bolts using the hex wrench (CC).



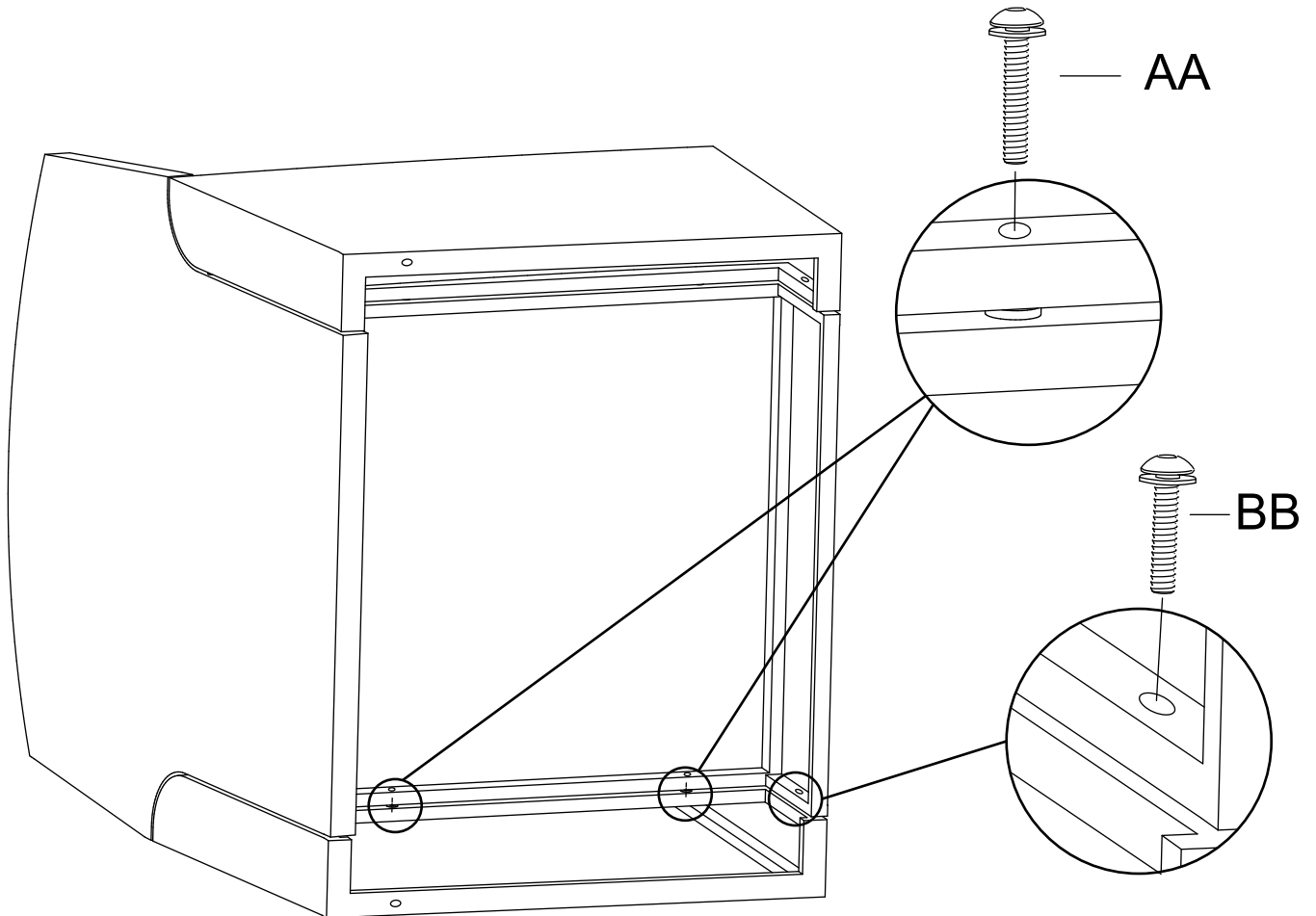
Assembly (continued)

4 Connecting the chair seat to the left arm

- Attach the chair seat (D) to the left arm (C) using M6x35 combination bolts (AA) and M6x30 combination bolt (BB).



NOTE: Loosely tighten all the bolts using the hex wrench (CC).



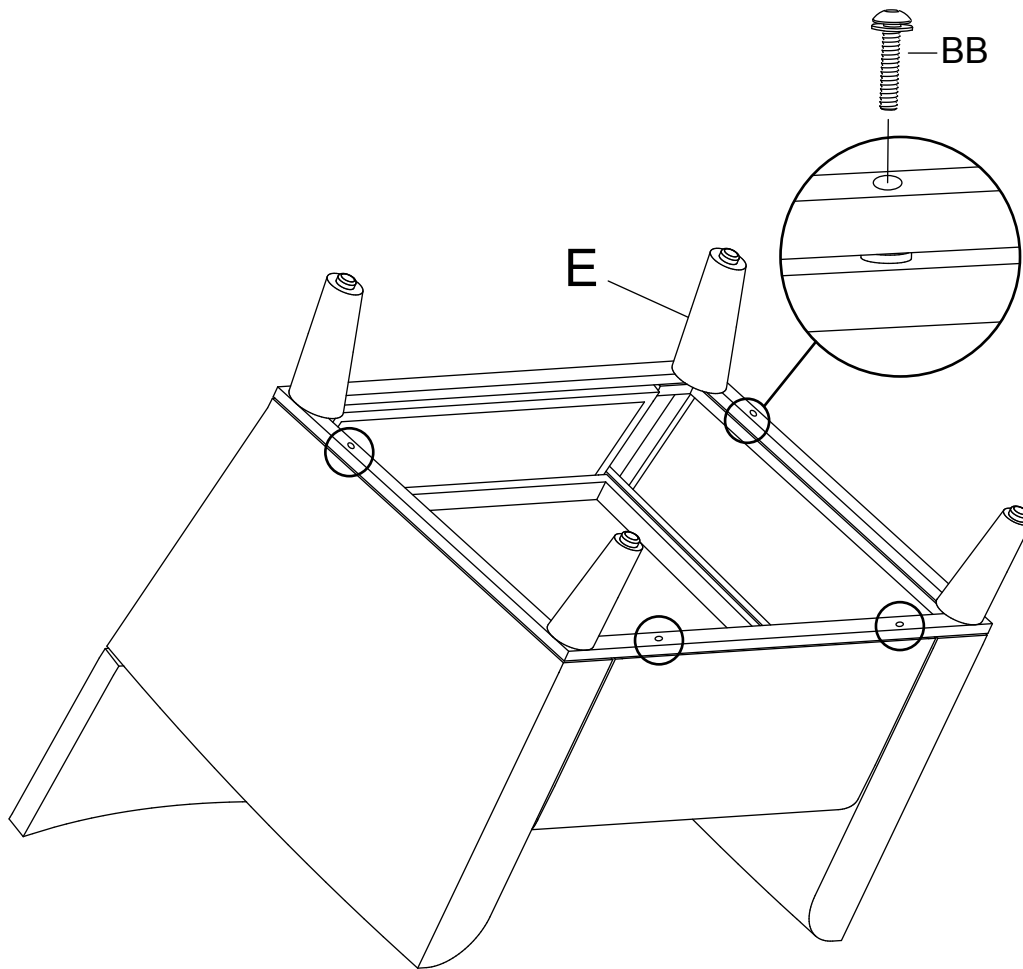
Assembly (continued)

5 Connecting the chair leg to the chair seat

- Attach the chair leg (E) to the chair seat (D) using M6x30 combination bolts (BB).



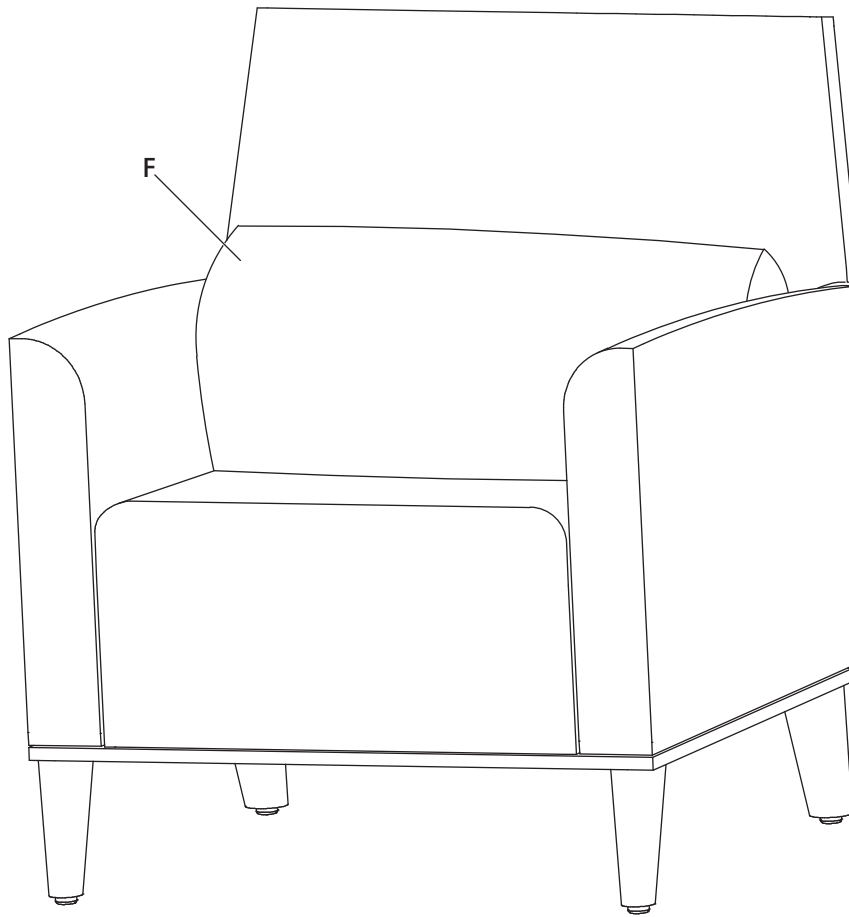
NOTE: Loosely tighten all the bolts using the hex wrench (CC).



Assembly (continued)

6 Tightening the bolts

- Once all bolts are in place, fully tighten all the bolts.
- Turn the chair right side up.
- Ensure that all connections are secure before use.
- Place the pillow (F) to finish the assembly of the chair.



Care and Cleaning

- For best results, clean the frame and fabric with a damp cloth and dry thoroughly. This will help prevent mildew by removing dirt particles that may accumulate.
- Do not clean with abrasive materials, bleach, or solvents.
- Store the chairs in a dry, sheltered place when not in use.
- Keep the chairs away from fire, extreme heat, freezing conditions, and inclement weather such as rain, hail, sleet, snow, or wind.



Questions, problems, missing parts? Before returning to the store,
call Hampton Bay Customer Service.
8 a.m. - 7 p.m., EST, Monday - Friday, 9 a.m. - 6 p.m., EST, Saturday

1-855-HD-HAMPTON

HAMPTONBAY.COM

Retain this manual for future use.