



CEILING FAN LIGHT KIT INSTALLATION AND SAFETY INSTRUCTIONS

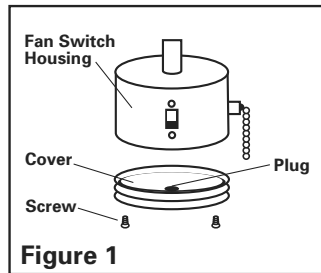


Figure 1

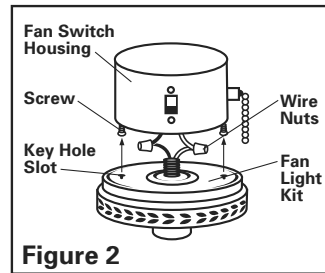


Figure 2

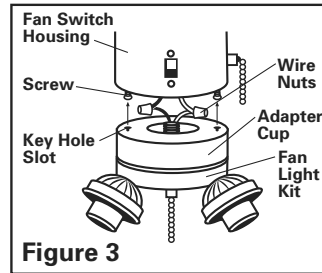


Figure 3

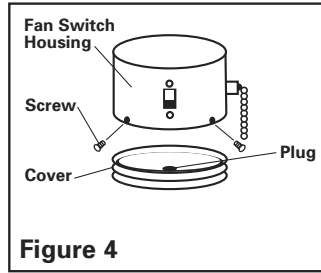


Figure 4

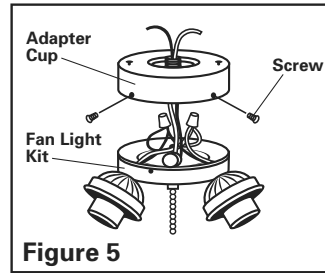


Figure 5

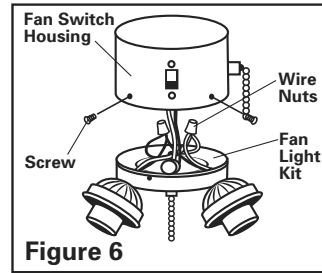


Figure 6

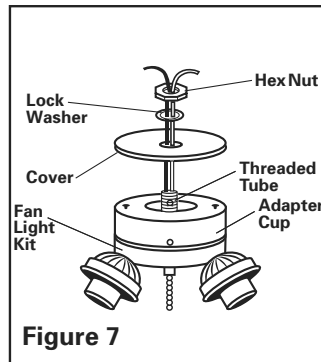


Figure 7

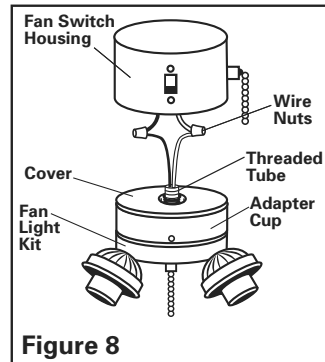


Figure 8

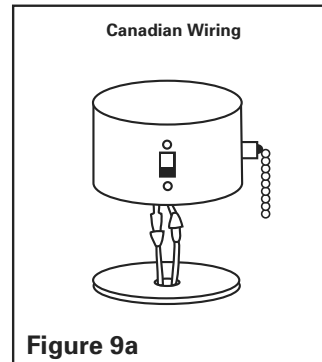


Figure 9a

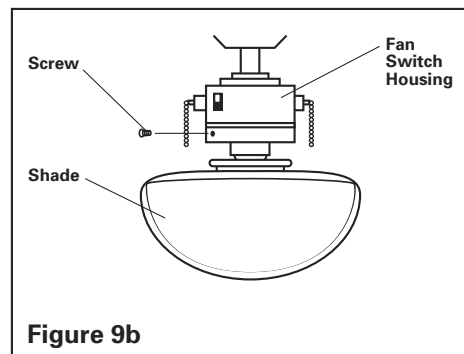


Figure 9b

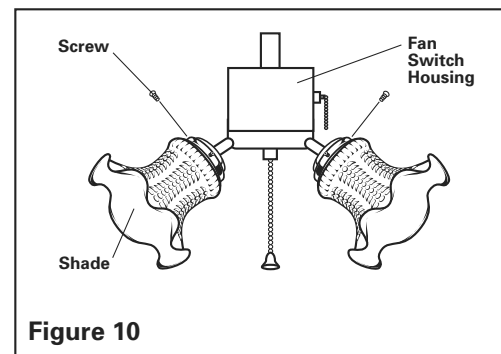


Figure 10

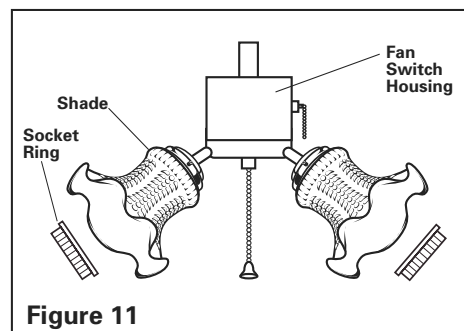


Figure 11



CEILING FAN LIGHT KIT INSTALLATION AND SAFETY INSTRUCTIONS

REPLACE FITTER INSTALLATION

1. If you want to replace the fitter for the fan light kit, please loosen the hex nut and bushing to release the fitter (See figure 12).
2. When re-installing, please place the fitter, star washer over the threaded tube, then tighten with hex nut. Take the switch through the side hole of the fitter then tighten with the bushing. (See figure 12).

NOTE: For the white and brushed nickel finish fitters, please use the brushed nickel finish hardware; For the oil rubbed bronze fitter, please use the antique brass finish hardware.

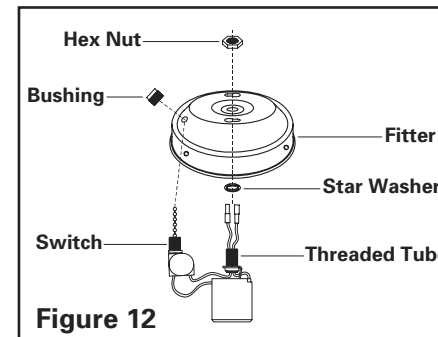


Figure 12

TROUBLESHOOTING

If light kit does not work, turn off electricity and lower either canopy or decorative housing on your ceiling fan to make sure the blue wire is connected to black household wire. Please refer to electrical section on ceiling fan instruction manual.



CEILING FAN LIGHT KIT INSTALLATION AND SAFETY INSTRUCTIONS

We thank you for selecting one of our superior quality products. We dedicate considerable time and effort to ensure they are the best available.

GENERAL

To ensure a successful installation be sure to read these instructions and review the diagrams thoroughly before beginning. Follow the instructions that are applicable for **your** light kit.

Ceiling fan light kits are only meant to be used with ceiling fans. Do not install as a light fixture.

Caution - Risk of electrical shock. Before starting installation, disconnect the power by turning off the circuit breaker or removing the fuse at the fuse box. Turning the power off using the fan switch is not sufficient to avoid electrical shock.

Review the installation instructions supplied with your fan. Make sure that your fan has been wired properly into the ceiling to allow use with light kit.

All electrical connections must be in accordance with local codes, ordinances, and national electric codes.

If you are unfamiliar with methods of installing electrical wiring, secure the services of a qualified electrician.

NOTE: The important safeguards and instructions appearing in this manual are not meant to cover all possible conditions and situations that may occur.

PARTS

ALL SINGLE LIGHT KITS:

- 1-glassware or shade*
- 1-fitter with socket assembled
- 1-plastic bag containing:
 - shade screws
 - pull chain
 - lock washer
 - screw nut
 - wire connectors

3 LIGHT KITS:

- 1-light fixture
- 3-light shades*
- 1-plastic bag containing:
 - shade screws or socket rings
 - pull chain
 - lock washer
 - screw nut
 - wire connectors

*SOME LIGHT KITS MAY NOT INCLUDE GLASSWARE OR LIGHT SHADES.



Call 1-800-999-2226 or Fax 215-464-4115
In Pacific and Mountain Time Zones
Call 1-800-421-3433 or Fax 562-404-4352

Westinghouse Lighting, Philadelphia, PA 19154-1029, U.S.A.
www.westinghouselighting.com

WESTINGHOUSE, and INNOVATION YOU CAN BE SURE OF
are trademarks of Westinghouse Electric Corporation.
Used under license by Westinghouse Lighting.
All rights reserved. Made in China



OVERVIEW

There are **three** different types of installations described below. Please read each one carefully to determine the best method for installing your light kit.

Key Hole Installation

The key hole refers to slots in the light kit adapter in which screws mounted to the bottom of the switch housing are inserted into these holes (See figures 2 and 3). The adapter is then turned, locking the screws, and the screws are tightened. Please refer to the Installation Instructions titled Key Hole Installation.

Universal Installation – Center Nipple Attachment

The universal installation usually works on all fans. This method uses the switch housing cap on the fan and an outer threaded tube to mount the light kit (See figure 8). This installation is used when the other two will not work. Please refer to the Installation Instructions titled Universal Installation. Please review the information at the end of this manual that refers to your particular light kit.

Integral Installation

The integral installation not for single light kit use is achieved when the switch housing cover is removed and the light kit fits the fan by itself (See figure 6). This method will not work for single light kits. The mounting of the light kit must be from the side and not the bottom. Also, the holes in the fan’s switch housing must line up with the holes in the light kit. Please refer to the Installation Instructions titled Integral Installation.

Special Notes

- Single light kits cannot use an Integral Installation.
- A decorative pull chain may be added to all light kits.

Some Lights May Not Include Glassware or Light Shades

CAUTION: To reduce the risk of fire and electric shock this light kit should be used only with fan models listed below.

Model Number	Manufacturer
336, 342, 542, 548A, 552, 552AL, 664, 652, 652A, 652AL, 739, 852, 442L, 442T, 452, 452L	Air Cool Industrial Co., Ltd
FC-3142, S148, S142, S136, 3052, 3052W, TO52, 1152, GN-52, 42	Fanthing Co., Ltd.
BC42, BC542, AC42, AC52, C42, AC55, C452, HC-42, CH42, CH52, CHA36, HA42, SS2, S60, CRC52, HG52, TC52, HMP52, NA361, NA36, NA48, CC52, EC42, TCA52, THA52, H52, HA5, UC52, UC42	Shi Chen Co., Ltd.
F48-4B, -4B/1L, H30-4B, -4B/1L, -4B/3L, -5B, -5B/1L, -5B/3L, -6B, -6B/1L, -6B/3L, H42-4B, -4B/1L, -4B/3L, -4B/4L, -4B/5L, -5B, -5B/1L, -5B/3L, -5B/4L, -5B/5L, -6B, -6B/1L, -6B/3L, -6B/4L, -6B5L, H52-4B, -4B/1L, -4B/3L, -4B/4L, -1B/5L, -5B, -5B/1L, -5B/3L, -5B/4L, -5B/5L, -6B, -6B/1L, -6B/3L, -6B/4L, -6B/5L, M30-4B, -4B/1L, -4B/3L, -5B, -5B/1L, -5B/3L, -6B, -6B/1L, -6B/3L, M42-4B, -4B/1L, -4B/3L, -4B/4L, -4B/5L, -5B, -5B/1L, -5B/3L, -5B/4L, -5B/5L, -6B, -6B/1L, -6B/3L, -6B/4L, -6B/5L, M52-4B, -4B/1L, -4B/3L, -4B/4L, -4B/5L, -5B, -5B/1L, -5B/3L, -5B/4L, -5B/5L, -6B, -6B/1L, -6B/3L, -6B/4L, -6B/5L, P30-4B, -4B/1L, -4B/3L, -5B, -5B/1L, -5B/3L, P42-4B, -4B/1L, -4B/3L, -5B, -5B/1L, -5B/3L	Hong Kong China

Fan Light Kit Model Number	Weight	Fan Light Kit Model Number	Weight
77844, 77846, 77851, 77853	480G	77845, 77847, 77848, 77849, 77850	1620G
77852	650G		



INSTALLATION INSTRUCTIONS

TOOLS REQUIRED

Screwdriver and Pliers.

KEY HOLE INSTALLATION

1. Remove the switch housing cover from the fan by unscrewing the screws (See figure 1). You may keep this cover for future use.
2. Replace the two screws but thread only halfway into the switch housing.
3. Locate two single wires in the switch housing, white (gray on some models) and blue (red on some models) labeled “for light”.
4. Connect these wires to the light kit wires using the wire nuts already attached (See figure 2 or 3). White (gray) to white and blue (red) to black.
5. NOTE: For French Canadian specs, please use the plug system (See figure 9a). If using with a UL spec fan, please cut off plugs, and wire with wire nuts provided with the fan.

6. Carefully push all wires back into switch housing of fan. Attach the light kit by aligning its keyhole slots with the two screws previously threaded halfway into the switch housing (See figure 2 for single light kits and figure 3 for 3, 4 or 5 lights). Push up so the screws go through the light kit’s keyhole slots and twist so that the screws engage into the smaller end of the slots. Tighten the screws securely to prevent light kit from vibrating loose.

7. Proceed to “Shade Installation”.

UNIVERSAL INSTALLATION - Center Nipple Attachment

1. Remove the switch housing cover from the fan by unscrewing the bottom mount screws (figure 1) or the side mount screws (figure 4).

2. Remove the plug (figure 4) from the center of this cover by unscrewing or pushing out. You may discard the plug.

3. Attach the cover to the light kit threaded tube by first feeding the light kit wires (black and white) through the hole in the cover and then screwing the cover onto the threaded tube (See figure 7). Be sure it is tight enough to prevent the light kit from vibrating loose.

4. Place the lock washer and hex nut over the light kit wires onto the threaded tube, and tighten the screw nut. (See figure 7).

5. Locate two single wires in switch housing, white (gray on some models) and blue (red on some models) labeled “for light”.

6. Connect these wires to the light kit wires using the wire nuts already attached (See figure 8). White (gray) to white and blue (red) to black.

7. NOTE: For French Canadian specs, please use the plug system (See figure 9a). If using with a UL spec fan, please cut off plugs, and wire with wire nuts provided with fan.

8. Carefully push all wires back into the fan’s switch housing. Replace the cover with the screws removed in step 1.

9. Proceed to “Shade Installation”.



INSTALLATION INSTRUCTIONS CON’T.

INTEGRAL INSTALLATION

1. Remove the switch housing cover from the fan by unscrewing the screws. You may keep this cover for future use (See figure 4).
2. Remove adapter cup from top of the light kit by removing the screws on the side of the light kit (See figure 5).
3. Locate two single wires in switch housing, white (gray on some models) and blue (red on some models) labeled “for light”.
4. Connect these wires to the light kit wires using the wire nuts already attached (See figure 6). White (gray) to white and blue (red) to black.
5. NOTE: For French Canadian specs, please use the plug system (See figure 9a). If using with a UL spec fan, please cut off plugs, and wire with wire nuts provided with fan.
6. Carefully push the wiring connections back into the switch housing.
7. Using the cover plate mounting screws from step 1, attach the flush adapter portion of light to the switch housing (See figure 6).
8. Proceed to “Shade Installation”.

SHADE INSTALLATION

Please refer to the installation that corresponds to your light kit.
NOTE: Turn off power at circuit box to avoid possible electric shock.

For single shade models as seen in figure 9b.

Install light bulb included. Do not over tighten. Use 60 watt maximum medium base light bulb. Attach shade to light kit shade holders by finger tightening three thumb screws. To avoid breakage, do not over tighten. Restore electrical power. Installation is complete.

For three shade models by using fitter screw installation as seen in figure 10.

Install shades to light kit shade holders by finger tightening three sets of screws for each shade holder. To avoid glass breakage, do not over tighten. Install A15 or T2 medium base light bulbs. Do not over tighten. Use 60 watt maximum bulbs per socket. Restore electrical power. Installation is complete.

For three shade models by using socket ring installation as seen in figure 11.

Install shades to light kit shade holders by securing three socket rings for each shade holder. To avoid glass breakage, do not over tighten. Install A15 or T2 medium base light bulbs. Do not over tighten. Use 60 watt maximum bulbs per socket. Restore electrical power. Installation is complete.

JUEGO DE LUCES PARA VENTILADOR DE TECHO INSTRUCCIONES DE INSTALACIÓN Y SEGURIDAD

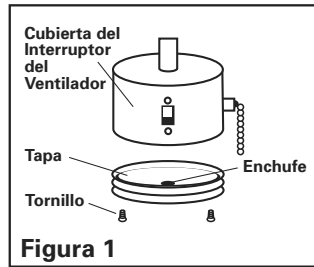


Figura 1

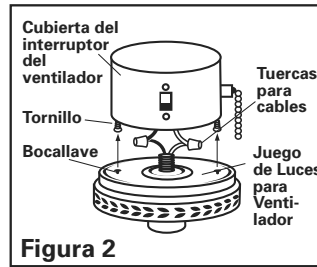


Figura 2

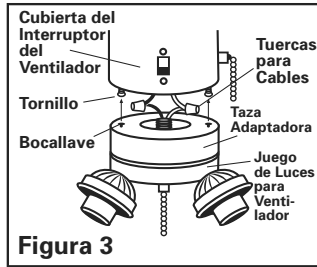


Figura 3

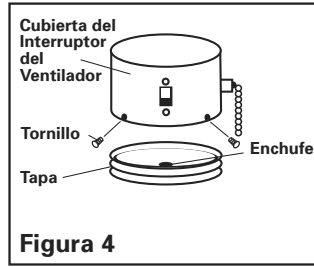


Figura 4

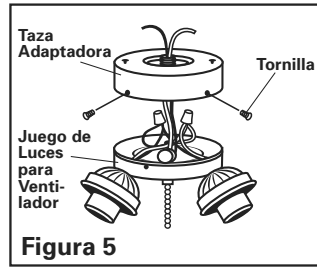


Figura 5

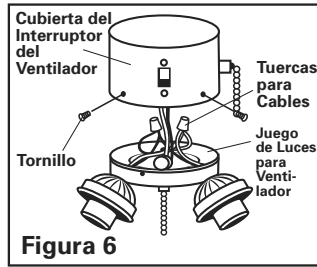


Figura 6

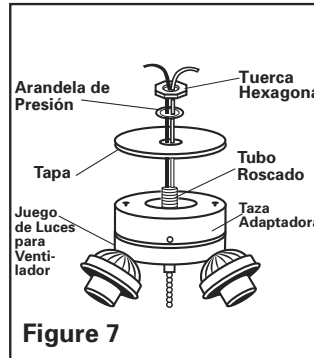


Figure 7

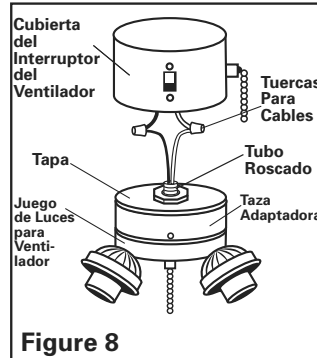


Figure 8

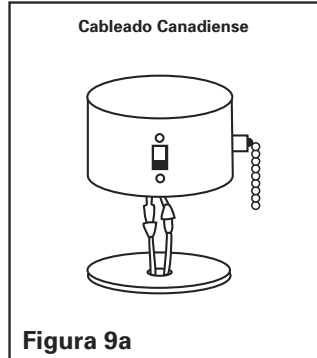


Figura 9a

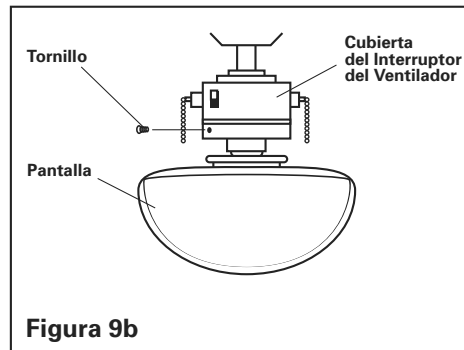


Figura 9b

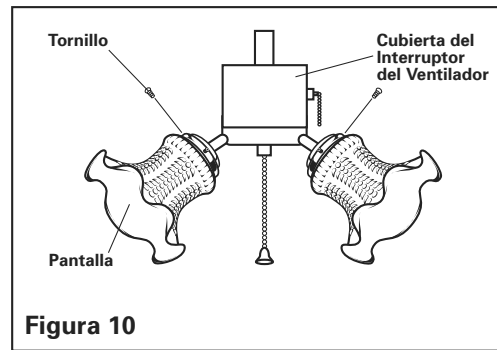


Figura 10

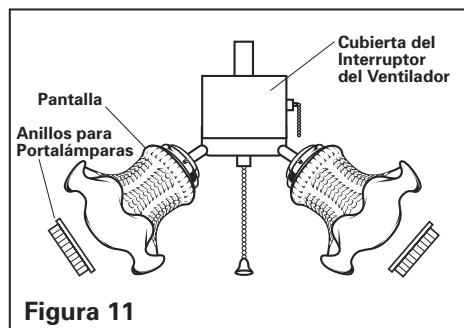


Figura 11

JUEGO DE LUCES PARA VENTILADOR DE TECHO INSTRUCCIONES DE INSTALACIÓN Y SEGURIDAD

INSTALACIÓN DE AJUSTADOR DE REEMPLAZO

1. Si desea reemplazar el ajustador del juego de luces para ventilador, afloje la tuerca hexagonal y el cojinete para liberar el ajustador. (Vea la figura 12.)
2. Durante la reinstalación, coloque el ajustador, la arandela en estrella sobre el tubo roscado, luego ajuste con la tuerca hexagonal. Pase el interruptor a través del agujero lateral del ajustador y luego ajuste con el cojinete. (Vea la figura 12.)

NOTA: Para los ajustador con acabado color blanco y níquel, use la tornillería con acabado color níquel; para el ajustador con acabado color bronce con pátina al aceite, use la tornillería con acabado latón estilo antiguo.

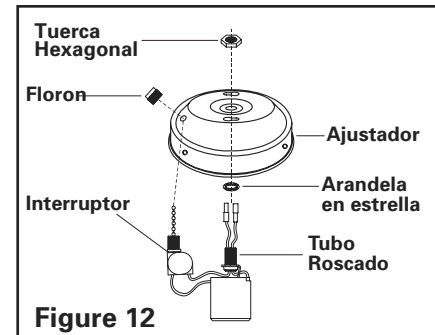


Figure 12

GUÍA PARA SOLUCIONAR PROBLEMAS

Si el juego de luces no funciona, apague el suministro eléctrico y baje el dosel o el alojamiento decorativo del ventilador de techo para asegurarse de que el cable azul esté conectado al cable negro de la casa. Consulte la sección de electricidad en el manual de instrucciones del ventilador de techo.

JUEGO DE LUCES PARA VENTILADOR DE TECHO INSTRUCCIONES DE INSTALACIÓN Y SEGURIDAD

Gracias por seleccionar uno de nuestros productos de calidad superior. Dedicamos tiempo y esfuerzo para asegurarnos de que sean los mejores productos disponibles.

CONSIDERACIONES GENERALES

Para asegurarse de que la instalación sea correcta, asegúrese de leer estas instrucciones y de consultar detenidamente los diagramas antes de comenzar. Siga las instrucciones correspondientes para su juego de luces.

Los juegos de luces para ventiladores de techo deben usarse solamente con ventiladores de techo. No deben instalarse como artefactos luminosos.

Advertencia - Riesgo de descarga eléctrica Antes de comenzar la instalación, desconecte el suministro eléctrico, apagando el cortacircuito o quitando el fusible. Apagando el suministro eléctrico usando el interruptor del ventilador no es suficiente para evitar descargas eléctricas.

Lea las instrucciones de instalación incluidas con su ventilador. Asegúrese de que el cableado de su ventilador haya sido correctamente instalado en el techo para permitir el uso de un juego de luces.

Todas las conexiones eléctricas deben cumplir con los códigos y las ordenanzas locales, y con los códigos eléctricos nacionales.

Si usted no tiene experiencia con los métodos para instalar cableado eléctrico, solicite los servicios de un electricista certificado.

NOTA: Las instrucciones y las medidas preventivas incluidas en este manual no tienen la intención de cubrir todas las condiciones y situaciones que pudieran ocurrir.

PIEZAS

TODOS LOS JUEGOS DE LUCES CON UNA SOLA LÁMPARA

- 1 pieza de vidrio o pantalla*
- 1 encastre con portalámparas armado
- 1 bolsa plástica que incluye:
 - tornillos para pantalla
 - cadenilla de tiro
 - arandela de presión
 - tuerca rosca
 - conector de cables

JUEGO DE LUCES CON 3 LÁMPARAS:

- 1 juego de luces
- 3 pantallas*
- 1 bolsa plástica que incluye:
 - tornillos para pantalla o anillos para portalámparas
 - cadenilla de tiro
 - arandela de presión
 - tuerca rosca
 - conector de cables

*ALGUNOS JUEGOS DE LUCES PODRÍAN NO INCLUIR PIEZAS DE VIDRIO O PANTALLAS.

Westinghouse

DESCRIPCIÓN GENERAL

A continuación, se describen tres tipos distintos de instalaciones. Por favor lea cada una detenidamente para determinar el método óptimo para instalar su juego de luces.

Instalación de bocallaves

Bocallaves son las ranuras en el adaptador del juego de luces en las que se insertan los tornillos montados en la parte inferior del alojamiento del interruptor (Vea las figuras 2 y 3). Luego, se gira el adaptador para trabar los tornillos y se ajustan los tornillos. Consulte las Instrucciones de instalación tituladas Instalación de bocallaves.

Instalación Universal – Fijación del niple central

La instalación universal generalmente es aplicable a todos los ventiladores. Este método usa la tapa del alojamiento del interruptor del ventilador y un tubo roscado exterior para montar el juego de luces (Vea la figura 8). Esta instalación se utiliza cuando no funciona ninguna de las otras dos. Consulte las Instrucciones de instalaciones titulada Instalación Universal. Consulte la información al final de este manual que corresponde a su juego de luces específico.

Instalación Integral

La instalación integral se retira la tapa del alojamiento del interruptor y el juego de luces se ajusta directamente al ventilador (Vea la figura 6). Este método no funciona con juegos de luces de una sola lámpara. El montaje del juego de luces debe hacerse lateralmente y no por la parte inferior. También, los agujeros en el alojamiento del interruptor del ventilador deben estar alineados con los agujeros del artefacto luminoso. Consulte las Instrucciones de instalaciones titulada Instalación Integral.

Notas especiales

– Los juegos de luces de una sola lámpara no se pueden instalar mediante una Instalación Integral.

– Es posible agregar una cadenilla de tiro decorativa a todos los juegos de luces.

Modelo Número	Fabricante
336, 342, 542, 548A, 552, 552AL, 664, 652, 652A, 652AL, 739, 852, 442L, 442T, 452, 452L	Air Cool Industrial Co., Ltd
FC-3142, S148, S142, S136, 3052, 3052W, T052, 1152, GN-52, 42	Fanthing Co., Ltd.
BC42, BC542, AC42, AC52, C42, AC55, C452, HC-42, CH42, CH52, CHA36, HA42, SS2, S60, CRC52, HG52, TC52, HMP52, NA361, NA36, NA48, CC52, EC42, TCA52, THA52, H52, HA5, UC52, UC42	Shi Chen Co., Ltd.
F48-4B, -4B/1L, H30-4B, -4B/1L, -4B/3L, -5B, -5B/1L, -5B/3L, -6B, -6B/1L, -6B/3L, H42-4B, -4B/1L, -4B/3L, -4B/4L, -4B/5L, -5B, -5B/1L, -5B/3L, -5B/4L, -5B/5L, -6B, -6B/1L, -6B/3L, -6B/4L, -6B5L, H52-4B, -4B/1L, -4B/3L, -4B/4L, -1B/5L, -5B, -5B/1L, -5B/3L, -5B/4L, -5B/5L, -6B, -6B/1L, -6B/3L, -6B/4L, -6B/5L, M30-4B, -4B/1L, -4B/3L, -5B, -5B/1L, -5B/3L, -6B, -6B/1L, -6B/3L, M42-4B, -4B/1L, -4B/3L, -4B/1L, -4B/5L, -5B, -5B/1L, -5B/3L, -5B/4L, -5B/5L, -6B, -6B/1L, -6B/3L, -6B/4L, -6B/5L, M52-4B, -4B/1L, -4B/3L, -4B/4L, -4B/5L, -5B, -5B/1L, -5B/3L, -5B/4L, -5B/5L, -6B, -6B/1L, -6B/3L, -6B/4L, -6B/5L, P30-4B, -4B/1L, -4B/3L, -5B, -5B/1L, -5B/3L, P42-4B, -4B/1L, -4B/3L, -5B, -5B/1L, -5B/3L	Hong Kong China Electric Mtg. Co.

Algunos juegos de luces podrían no incluir piezas de vidrio o pantallas.

ADVERTENCIA: Para reducir el riesgo de incendios o choques eléctricos, este juego de luces debe ser usado únicamente con los modelos de ventiladores que se indican a continuación.

Modelo Número	Fabricante
336, 342, 542, 548A, 552, 552AL, 664, 652, 652A, 652AL, 739, 852, 442L, 442T, 452, 452L	Air Cool Industrial Co., Ltd
FC-3142, S148, S142, S136, 3052, 3052W, T052, 1152, GN-52, 42	Fanthing Co., Ltd.
BC42, BC542, AC42, AC52, C42, AC55, C452, HC-42, CH42, CH52, CHA36, HA42, SS2, S60, CRC52, HG52, TC52, HMP52, NA361, NA36, NA48, CC52, EC42, TCA52, THA52, H52, HA5, UC52, UC42	Shi Chen Co., Ltd.
F48-4B, -4B/1L, H30-4B, -4B/1L, -4B/3L, -5B, -5B/1L, -5B/3L, -6B, -6B/1L, -6B/3L, H42-4B, -4B/1L, -4B/3L, -4B/4L, -4B/5L, -5B, -5B/1L, -5B/3L, -5B/4L, -5B/5L, -6B, -6B/1L, -6B/3L, -6B/4L, -6B5L, H52-4B, -4B/1L, -4B/3L, -4B/4L, -1B/5L, -5B, -5B/1L, -5B/3L, -5B/4L, -5B/5L, -6B, -6B/1L, -6B/3L, -6B/4L, -6B/5L, M30-4B, -4B/1L, -4B/3L, -5B, -5B/1L, -5B/3L, -6B, -6B/1L, -6B/3L, M42-4B, -4B/1L, -4B/3L, -4B/1L, -4B/5L, -5B, -5B/1L, -5B/3L, -5B/4L, -5B/5L, -6B, -6B/1L, -6B/3L, -6B/4L, -6B/5L, M52-4B, -4B/1L, -4B/3L, -4B/4L, -4B/5L, -5B, -5B/1L, -5B/3L, -5B/4L, -5B/5L, -6B, -6B/1L, -6B/3L, -6B/4L, -6B/5L, P30-4B, -4B/1L, -4B/3L, -5B, -5B/1L, -5B/3L, P42-4B, -4B/1L, -4B/3L, -5B, -5B/1L, -5B/3L	Hong Kong China Electric Mtg. Co.

Modelo de Juego de Luces para Ventilador	Peso	Modelo de Juego de Luces para Ventilador	Peso
77844, 77846, 77851, 77853	480G	77845, 77847, 77848, 77849, 77850	1620G
77852	650G		

Westinghouse

INSTRUCCIONES DE INSTALACIÓN

HERRAMIENTAS NECESARIAS

Destornillador y pinzas.

INSTALACIÓN DE BOCALLAVES

1. Quite la tapa del alojamiento del interruptor del ventilador aflojando los tornillos (Vea la figura 1). Puede guardar esta tapa para usarla en el futuro.

2. Vuelva a atornillar los tornillos pero sólo hasta la mitad.

3. Ubique dos cables de un solo hilo en el alojamiento del interruptor, blanco (gris en algunos modelos) y azul (rojo en algunos modelos) rotulados “para luz”.

4. Conecte estos cables al juego de luces usando los conectores de cable (Vea la figura 2 ó 3). Blanco (gris) a blanco y azul (rojo) a negro.

5. NOTA: Para las especificaciones canadienses, por favor use el sistema de enchufe (Vea la figura 9a). Si está usando un ventilador con especificación UL, por favor corte los enchufes y haga el cableado usando conectores de cable incluidos con el ventilador

6. Meta cuidadosamente todos los cables nuevamente dentro del alojamiento del ventilador. Instale el juego de luces alineando las ranuras de bocallave con los dos tonillos anteriormente atornillados sólo hasta la mitad en el alojamiento del interruptor (Consulte la figura 2 para juegos de luces de una sola lámpara y la figura 3 para juegos de luces de 3 lámparas). Empuje de manera que los tornillos pasen a través de las ranuras de las bocallaves y gire de manera que se fijen en el extremo más angosto de las ranuras. Apriete de manera segura los tornillos para evitar que se suelte el juego de luces a causa de las vibraciones.

7. Vaya a “Instalación de las pantallas”.

INSTALACIÓN UNIVERSAL – Fijación del niple central
--

1. Quite del ventilador la tapa del alojamiento del interruptor destornillando los tornillos de montaje inferiores (figura 1) o los tornillos de montaje laterales (figura 4).

2. Destornillando o empujándolo hacia afuera, saque el enchufe (figura 4) del centro de esta cubierta. Puede descartar el enchufe.

3. Fije la cubierta al adaptador del juego de luces metiendo primero los cables del juego de luces (blanco y negro) a través del agujero en la cubierta; atornille luego la cubierta en el adaptador (Vea la figura 7). Asegúrese de que esté suficientemente apretado para evitar que se suelte el juego de luces debido a las vibraciones.

4. Coloque una arandela de presión y una tuerca roscada sobre los cables del juego de luces y el niple central, y apriete la tuerca roscada. (Vea la figura 7).

5. Ubique dos cables de un solo hilo en el alojamiento del interruptor, blanco (gris en algunos modelos) y azul (rojo en algunos modelos) rotulados “para luz”.

6. Conecte estos cables al juego de luces usando los conectores de cable (Vea la figura 8). Blanco (gris) a blanco y azul (rojo) a negro.

7. NOTA: Para las especificaciones canadienses, por favor use el sistema de enchufe (Vea la figura 9a). Si está usando un ventilador con especificación UL, por favor corte los enchufes y haga el cableado usando conectores de cable.

8. Meta con cuidado todos los cables dentro del alojamiento del interruptor del ventilador. Vuelva a colocar la tapa del alojamiento del interruptor con los tornillos que se quitó en el paso 1.

9. Vaya a “Instalación de las pantallas”.

Westinghouse

INSTRUCCIONES DE INSTALACIÓN (CONT.)

INSTALACIÓN INTEGRAL

1. Quite la tapa del alojamiento del interruptor del ventilador aflojando los tornillos. Puede guardar esta tapa para usarla en el futuro (Vea la figura 4).

2. Quite la taza adaptadora de la parte superior del juego de luces retirando los tornillos laterales del juego de luces (Vea la figura 5).

3. Ubique dos cables de un solo hilo en el alojamiento del interruptor, blanco (gris en algunos modelos) y azul (rojo en algunos modelos) rotulados “para luz”.

4. Conecte estos cables al juego de luces usando los conectores para cable que ya están instaladas (Vea la figura 6). Blanco (gris) a blanco y azul (rojo) a negro.

5. NOTA: Para las especificaciones canadienses, por favor use el sistema de enchufe (Vea la figura 9a). Si está usando un ventilador con especificación UL, por favor corte los enchufes y haga el cableado usando los conectores para cables incluidas con el ventilador.

6. Empuje con cuidado las conexiones del cableado nuevamente dentro del alojamiento del interruptor.

7. Usando los tornillos de la placa de montaje del paso 1, fije el adaptador al ras de las luces al alojamiento del interruptor (Vea la figura 6).

8. Vaya a “Instalación de las pantallas”.

INSTALACIÓN DE LAS PANTALLAS

Consulte la instalación correspondiente a su juego de luces.
NOTA: Desconecte el suministro eléctrico en la caja de fusibles para evitar la posibilidad de descarga eléctrica.

Para modelos con una sola pantalla como lo ilustra la figura 9b.
Instale la lámpara incluidas. No la apriete demasiado. Usa lamparas de 60 vatios con base estándar. Fije la pantalla a los soportes para pantallas del juego de luces apretando a mano tres tornillo de pantalla. Para evitar roturas, no apriete demasiado. Conecte el suministro eléctrico. La instalación ha sido completada.

Para modelos de tres pantallas utilizando la instalación de tornillo de encastre como lo ilustra la figura 10.

Instale las pantallas en los soportes para las pantallas del juego de luces apretando a mano los tornillos para cada soporte de pantalla. Para evitar que se rompan las piezas de vidrio, no apriete demasiado. Instala lamparas tipo A15 o T2 con base estándar. No las apriete demasiado. Use lámparas de 60 vatios como máximo. Conecte el suministro eléctrico. La instalación ha sido completada.

Para modelos de tres pantallas utilizando la instalación de anillo para portalámparas como lo ilustra la figura 11.

Instale las pantallas en los soportes para pantallas del juego de luces asegurando tres anillos para portalámparas por cada soporte para pantalla. Para evitar que se rompan las piezas de vidrio, no apriete demasiado. Instala lamparas tipo A15 o T2 con base estándar. No las apriete demasiado. Use lámparas de 60 vatios como máximo. Conecte el suministro eléctrico. La instalación ha sido completada.

ENSEMBLE D'ÉCLAIRAGE POUR VENTILATEUR DE PLAFOND INSTRUCTIONS D'INSTALLATION ET CONSIGNES DE SÉCURITÉ

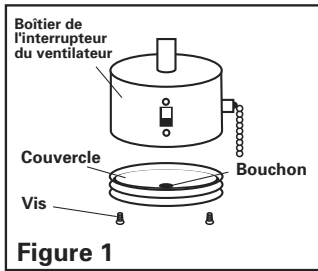


Figure 1

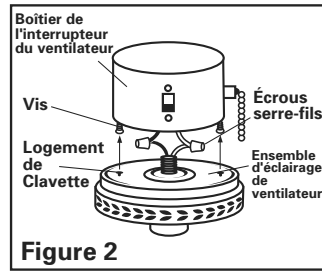


Figure 2

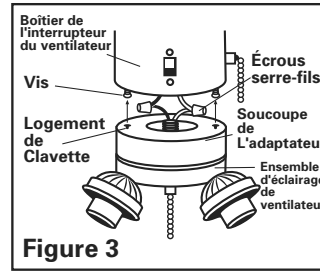


Figure 3

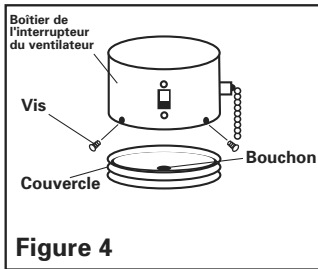


Figure 4

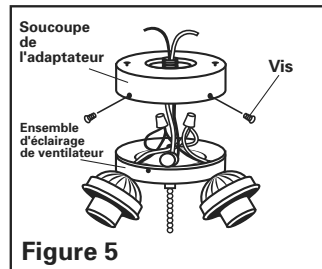


Figure 5

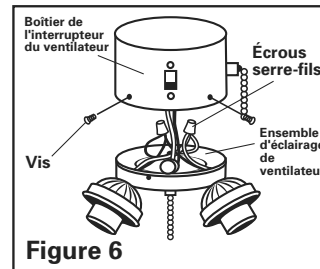


Figure 6

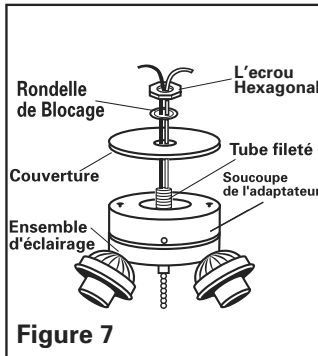


Figure 7

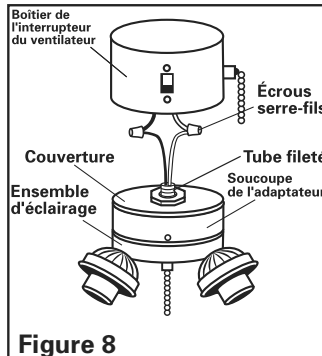


Figure 8

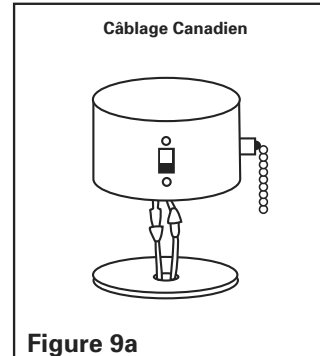


Figure 9a

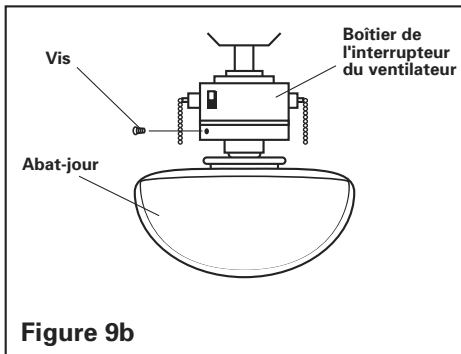


Figure 9b

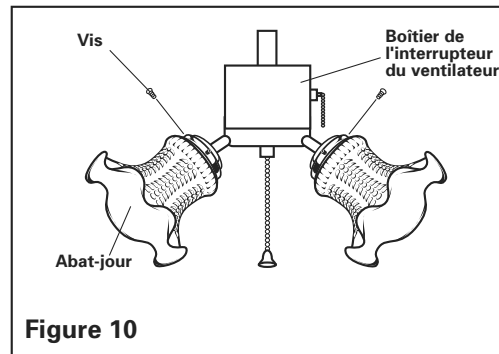


Figure 10

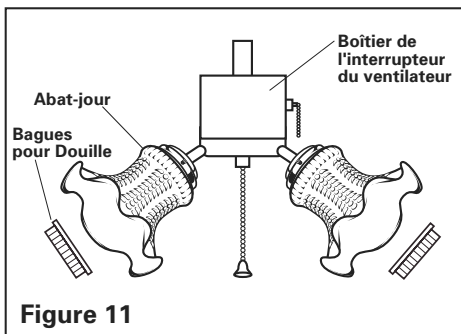


Figure 11

ENSEMBLE D'ÉCLAIRAGE POUR VENTILATEUR DE PLAFOND INSTRUCTIONS D'INSTALLATION ET CONSIGNES DE SÉCURITÉ

PROCÉDURES D'INSTALLATION POUR LE PLAFONNIER

1. Si vous souhaitez remplacer le plafonnier de l'appareil d'éclairage, desserrez l'écrou hexagonal et le fleuron pour le dégager. (Voir figure 12.)
2. Lorsque vous réinstallez le plafonnier, placez la rondelle éventail sur le tube fileté, puis serrez l'écrou hexagonal. Passez l'interrupteur par le trou latéral du plafonnier, puis serrez avec le fleuron. (Voir figure 12.)
REMARQUE : Pour les adaptateurs au fini blanc et nickel brossé, veuillez utiliser la quincaillerie en nickel brossé; pour les adaptateurs de bronze huilé, veuillez utiliser la quincaillerie au fini laiton antique.

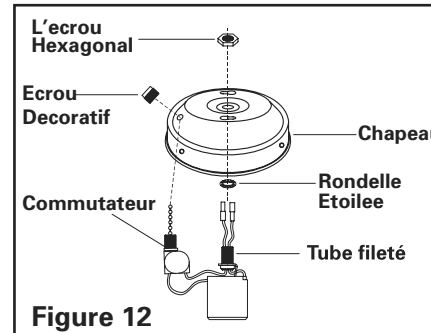


Figure 12

DÉPANNAGE

Si l'ensemble d'éclairage ne fonctionne pas, couper le courant et abaisser le chapeau conique ou le boîtier décoratif du ventilateur pour vous assurer que le fil bleu est connecté au fil noir de la résidence. Se reporter à la section sur les raccordements électriques du manuel d'instruction du ventilateur de plafond.

ENSEMBLE D'ÉCLAIRAGE POUR VENTILATEUR DE PLAFOND INSTRUCTIONS D'INSTALLATION ET CONSIGNES DE SÉCURITÉ

Merci d'avoir sélectionné l'un de nos produits de qualité supérieure. Nous consacrons un temps et un effort de travail particuliers pour garantir que ces produits sont les meilleurs du marché.

RENSEIGNEMENTS GÉNÉRAUX

Pour que cette installation soit réussie, veuillez lire ces instructions et bien revoir les diagrammes avant de débiter. Suivre les instructions qui correspondent à votre ensemble d'éclairage.

Les ensembles d'éclairage pour ventilateurs de plafond ne peuvent être utilisés qu'avec des ventilateurs de plafond. Ils ne peuvent être installés comme luminaires.

Attention – Risque de choc électrique. Avant de débiter l'installation, couper l'alimentation électrique au disjoncteur ou enlever le fusible dans le boîtier à fusibles. Le fait de mettre l'interrupteur du ventilateur sur Arrêt n'est pas suffisant pour éviter les risques d'électrocution.

Reportez-vous aux instructions d'installation fournies avec votre ventilateur. Assurez-vous que votre ventilateur a été correctement raccordé au plafond pour pouvoir l'utiliser avec l'ensemble d'éclairage.

Tous les raccordements électriques doivent être effectués conformément aux codes et règlements locaux ou aux codes électriques nationaux.

Si vous n'êtes pas familier avec l'installation de câbles électriques, consultez un électricien qualifié.

NOTE : Les importantes consignes de sécurité et instructions de ce manuel ne sauraient prévoir toutes les conditions et situations possibles.

PIÈCES

TOUS LES ENSEMBLES D'ÉCLAIRAGE À AMPOULE UNIQUE :

- 1-abat-jour (en verre ou autre)*
- 1-pièce d'ajustement avec douille assemblée
- 1-sac de plastique contenant :
 - vis de l'abat-jour
 - chaînette
 - rondelle de blocage
 - écrou de vis
 - connecteur de fil

ENSEMBLE D'ÉCLAIRAGE À 4 AMPOULES :

- 1-luminaire
- 4-ampoules avec abat-jour*
- 1-sac de plastique contenant :
 - vis de l'abat-jour
 - chaînette
 - rondelle de blocage
 - écrou de vis
 - connecteur de fil

ENSEMBLE D'ÉCLAIRAGE À 3 AMPOULES :

- 1-luminaire
- 3-ampoules avec abat-jour*
- 1-sac de plastique contenant :
 - vis pour abat-jours ou bagues pour douille
 - chaînette
 - rondelle de blocage
 - écrou de vis
 - connecteur de fil

*CERTAINS ENSEMBLES D'ÉCLAIRAGE NE COMPRENNENT PAS LES ABAT-JOUR (EN VERRE OU AUTRE).



PRÉSENTATION GÉNÉRALE

Trois différents types d'installation sont décrits ci-dessous. Veuillez lire chacun d'entre eux avec attention, afin de déterminer la méthode d’installation la plus appropriée à votre ensemble d'éclairage.

Montage du logement de clavette

Le logement de clavette correspond aux fentes se trouvant sur l'adaptateur et où sont insérées les vis montées sur le boîtier de l'interrupteur (Voir Figures 2 et 3). Faites ensuite tourner l'adaptateur pour bloquer les vis et ainsi les maintenir en place. Veuillez vous reporter à la section d'instruction intitulée. Montage du logement de clavette.

Installation universelle – Montage du manchon central

L'installation universelle est généralement appropriée pour tous les ventilateurs. Cette méthode utilise le capuchon du boîtier de l'interrupteur et un tube fileté externe pour effectuer l'installation de l'ensemble d'éclairage (Voir figure 8). Cette installation est sélectionnée lorsque les deux autres méthodes ne donnent pas de bons résultats. Veuillez vous reporter à la section d'instruction intitulée. Installation universelle. Veuillez consulter l'information à la fin de ce manuel se rapportant à votre ensemble d'éclairage particulier.

Installation intégrale

L'installation intégrale est généralement la meilleure des méthodes car l'adaptateur est éliminé et l'ensemble d'éclairage tient de façon autonome sur le ventilateur (Voir figure 6). Cette méthode n'est pas appropriée pour les ensembles d'éclairage à ampoule unique. Le montage de l'ensemble d'éclairage doit se faire latéralement et non par la partie inférieure. D'autre part, les trous dans le boîtier de l'interrupteur doivent être alignés avec ceux de l'ensemble d'éclairage. Veuillez vous reporter à la section d'instruction intitulée. Installation intégrale.

Remarques particulières

– L'installation intégrale ne peut pas servir pour les ensembles d'éclairage à ampoule unique.

– Une chaîne décorative peut être ajoutée à tous les ensembles d'éclairage.



INSTRUCTIONS D’INSTALLATION

OUTILS NÉCESSAIRES

Tournevis et pinces.

MONTAGE DU LOGEMENT DE CLAVETTE

1. Retirer le couvercle du boîtier de l'interrupteur du ventilateur en dévissant les deux vis (Voir figure 1). Vous pouvez jeter ce couvercle ou le conserver pour usage futur.

2. Remettre les deux vis en place en les vissant seulement à moitié.

3. Sur le boîtier de l'interrupteur, repérer le fil unique blanc (gris sur certains modèles) et le fil unique bleu (rouge sur certains modèles) portant l’étiquette for light (éclairage).

4. Connecter ces fils à ceux de l'ensemble d'éclairage à l'aide des écrous serre-fils déjà montés (Voir figure 2 ou 3). Fil blanc (gris) au fil blanc et fil bleu (rouge) au fil noir.

5. REMARQUE : Pour les spécifications en canadien français, veuillez utiliser le système à fiches (Voir figure 9a). Si vous utilisez un ventilateur conforme aux spécifications UL, veuillez couper les bouchons (fiches) et effectuer le câblage avec les écrous serre-fils fournis avec le ventilateur.

6. Bien remettre en place tous les fils dans le boîtier de l'interrupteur du ventilateur. Montez l'ensemble d'éclairage en alignant ses logements de clavette aux deux vis précédemment montées à moitié sur le boîtier de l'interrupteur (Voir la figure 2 pour les ensembles d'éclairage à ampoule unique et la figure 3 pour les ensembles à 3, 4 ou 5 ampoules). Enfoncez les vis afin qu'elles passent au travers des logements de clavette et faites-les tourner afin qu'elles s'engagent dans l'extrémité la plus étroite. Bien serrer les vis pour que l’ensemble d’éclairage ne vibre pas.

7. Passer à la section. Installation de l'abat-jour.

INSTALLATION UNIVERSELLE – Montage du manchon central

1. Retirez le couvercle du boîtier d'interrupteur du ventilateur en dévissant les deux vis de montage inférieures (Figure 1) ou les trois vis de montage latérales (Figure 4).

2. Enlever le bouchon (figure 4) qui est au centre de ce couvercle en le dévissant ou le poussant vers l'extérieur. Vous pouvez jeter le bouchon.

3. Fixer le couvercle à l'adaptateur en passant en premier le jeu de fils (blanc et noir) par l’ouverture du couvercle, puis en le vissant à l'adaptateur (Voir figure 7). S’assurer que les vis sont suffisamment serrées pour que l’ensemble d’éclairage ne vibre pas.

4. Positionnez la rondelle d’arrêt et la vis-écrou sur les fils du luminaire et le tubefiléteé et serrez l’écrou (voir le schéma 7).

5. Dans le boîtier de l'interrupteur, repérer le fil unique blanc (gris sur certains modèles) et le fil unique bleu (rouge sur certains modèles) portant l’étiquette for light (éclairage).

6. Connecter ces fils à ceux de l'ensemble d'éclairage à l'aide des écrous serre-fils déjà montés (Voir figure 8). Fil blanc (gris) au fil blanc et fil bleu (rouge) au fil noir.

7. NOTE : Pour les spécifications en canadien français, veuillez utiliser le système à fiches. (Voir figure 9a). Si vous utilisez un ventilateur conforme aux spécifications UL, veuillez couper les bouchons (fiches) et effectuer le câblage avec les écrous serre-fils fournis avec le ventilateur.

8. Bien remettre en place tous les fils dans le boîtier de l’interrupteur du ventilateur. Replacer le couvercle avec les vis retirées à l’étape 1.

9. Passer à la section. Installation de l'abat-jour.



INSTRUCTIONS D’INSTALLATION (SUITE)

INSTALLATION INTÉGRALE

1. Retirer le couvercle du boîtier de l'interrupteur du ventilateur en dévissant les trois vis. Vous pouvez disposer de ce bouchon ou le conserver pour usage futur (Voir figure 4).

2. Retirer la soucoupe de l'adaptateur de la partie supérieure de l'ensemble d'éclairage en enlevant les trois vis latérales (Voir figure 5).

3. Dans le boîtier de l'interrupteur, repérer le fil unique blanc (gris sur certains modèles) et le fil unique bleu (rouge sur certains modèles) portant l’étiquette for light (éclairage).

4. Connecter ces fils à ceux de l'ensemble d'éclairage à l'aide des écrous serre-fils déjà montés (Voir figure 6). Fil blanc (gris) au fil blanc et fil bleu (rouge) au fil noir.

5. NOTE : Pour les spécifications en canadien français, veuillez utiliser le système à fiches (Voir figure 12a). Si vous utilisez un ventilateur conforme aux spécifications UL, veuillez couper les bouchons (fiches) et effectuer le câblage avec les écrous serre-fils fournis avec le ventilateur.

6. Bien remettre en place tous les raccords électriques dans le boîtier de l’interrupteur du ventilateur.

7. À l'aide des vis de fixation du couvercle retirées à l’étape 1, relier la portion encastrée de l'adaptateur dans le boîtier de l'interrupteur (Voir figure 6). Pour les ensembles d'éclairage à dôme inversé, reportez-vous à la figure 16 pour l'installation.

8. Passer à la section. Installation de l'abat-jour .

INSTALLATION DE L'ABAT-JOUR

INSTALLATION UNIVERSELLE – Montage du manchon central

INSTALLATION DE L'ABAT-JOUR

Veuillez vous reporter à l'installation appropriée pour votre ensemble d'éclairage.
NOTA: Mettez l’interrupteur de la boîte à fusibles à « OFF » afin d’éviter le risque d’électrocution.

Pour les modèles à abat-jour unique comme présenté sur la figure 9b.
Employez l’ampoule de T3 à culot standard. Ne serrez pas outre mesure. Utilisez une ampoule moyenne de 60 watts à base moyenne. Monter l’abat-jour sur les supports de l'ensemble d'éclairage en serrant manuellement les trois vis à tête clé. Ne pas trop serrer pour éviter tout risque de casse. Rétablir l'alimentation électrique. L'installation est terminée.

Pour modèles à 3 abat-jours pour installation avec vis, telle qu'illustrée à la Figure 10.
Installer les abat-jour sur les supports en serrant manuellement les trois jeux d'écrous de chaque support d’abat-jour. Ne pas trop serrer pour éviter tout risque de casse. Rétablir l'alimentation électrique. Installez des ampoules A15 ou T2 à base moyenne. Ne serrez pas outre mesure. Utiliser les ampoules de 60 watts maximum par douille. L'installation est terminée.

Pour modèles à 3 abat-jours pour installation avec bague pour douille, telle qu'illustrée à la Figure 11.
Installez les abat-jours aux supports de l'abat-jour de l'appareil d'éclairage en sécurisant les trois bagues pour douille à chaque support. Ne pas trop serrer pour éviter tout risque de casse. Rétablir l'alimentation électrique. Installez des ampoules A15 ou T2 à base moyenne. Ne serrez pas outre mesure. Utiliser les ampoules de 60 watts maximum par douille. L'installation est terminée.

Certains ensembles d'éclairage ne comprennent pas les abat-jour (en verre ou autre).

MISE EN GARDE : Afin de réduire les risques d’incendie ou d’électrocution, cet ensemble d’éclairage ne devrait être utilisé qu’avec les modèles de ventilateurs dont la liste apparaît ci-dessous.

Numéro de Modèle	Fabricant
336, 342, 542, 548A, 552, 552AL, 664, 652, 652A, 652AL, 739, 852, 442L, 442T, 452, 452L	Air Cool Industrial Co., Ltd
FC-3142, S148, S142, S136, 3052, 3052W, T052, 1152, GN-52, 42	Fanthing Co., Ltd.
BC42, BC542, AC42, AC52, C42, AC55, C452, HC-42, CH42, CH52, CHA36, HA42, SS2, S60, CRC52, HG52, TC52, HMP52, NA361, NA36, NA48, CC52, EC42, TCA52, THA52, H52, HA5, UC52, UC42	Shi Chen Co., Ltd.
F48-4B, -4B/1L, H30-4B, -4B/1L, -4B/3L, -5B, -5B/1L, -5B/3L, -6B, -6B/1L, -6B/3L, H42-4B, -4B/1L, -4B/3L, -4B/4L, -4B/5L, -5B, -5B/1L, -5B/3L, -5B/4L, -5B/5L, -6B, -6B/1L, -6B/3L, -6B/4L, -6B5L, H52-4B, -4B/1L, -4B/3L, -4B/4L, -1B/5L, -5B, -5B/1L, -5B/3L, -5B/4L, -5B/5L, -6B, -6B/1L, -6B/3L, -6B/4L, -6B/5L, M30-4B, -4B/1L, -4B/3L, -5B, -5B/1L, -5B/3L, -6B, -6B/1L, -6B/3L, M42-4B, -4B/1L, -4B/3L, -4B/1L, -4B/5L, -5B, -5B/1L, -5B/3L, -5B/4L, -5B/5L, -6B, -6B/1L, -6B/3L, -6B/4L, -6B/5L, M52-4B, -4B/1L, -4B/3L, -4B/4L, -4B/5L, -5B, -5B/1L, -5B/3L, -5B/4L, -5B/5L, -6B, -6B/1L, -6B/3L, -6B/4L, -6B/5L, P30-4B, -4B/1L, -4B/3L, -5B, -5B/1L, -5B/3L, P42-4B, -4B/1L, -4B/3L, -5B, -5B/1L, -5B/3L	Hong Kong China Electric Mtg. Co.

Modèle de L'Ensemble D'Éclairage Pour Ventilateur	Poids	Modèle de L'Ensemble D'Éclairage Pour Ventilateur	Poids
77844, 77846, 77851, 77853	480G	77845, 77847, 77848, 77849, 77850	1620G
77852	650G		