



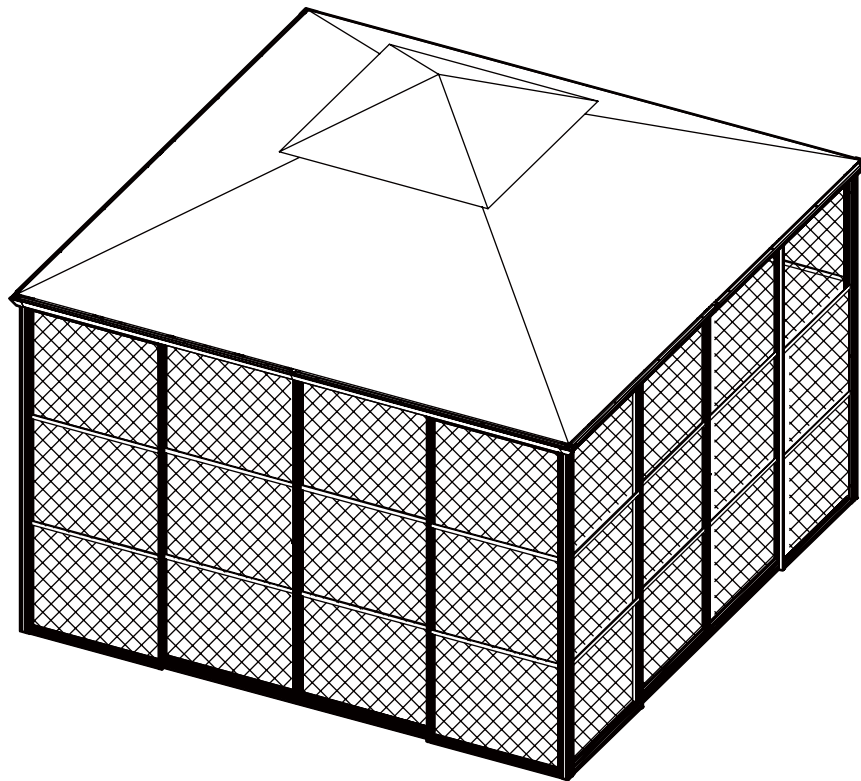
Item #1002 665 203

Model #FSC17008

Improved Version

USE AND CARE GUIDE

11 FT. X 11 FT. GAZEBO



Questions, problems, missing parts? Before returning to the store,
call Hampton Bay Customer Service
8 a.m. - 7 p.m., EST, Monday – Friday, 9 a.m. – 6 p.m., EST, Saturday

1-855-HD-HAMPTON

HAMPTONBAY.COM

THANK YOU

We appreciate the trust and confidence you have placed in Hampton Bay through the purchase of this gazebo. We strive to continually create quality products designed to enhance your home. Visit us online to see our full line of products available for your home improvement needs. Thank you for choosing Hampton Bay!

Table of Contents


Table of Contents 2
Safety Information 2
Warranty 2
Pre-Assembly 3
 Planning Assembly. 3
 Hardware Included. 3
 Package Contents 4


Assembly..... 6
Care and Cleaning 15


Safety Information


Please read and understand all instructions before you begin this assembly.

- This assembly requires at least two to three people.
- Some parts may contain sharp edges. Wear protective gloves.
- When assembling and using this product, basic safety precautions should always be followed to reduce the risk of personal injury and damage to equipment.

 **WARNING:** Do not leave the gazebo where there is a risk of high wind, as possible damage will occur to the structure.

 **WARNING:** This unit is heavy! Do not assemble this item alone.

 **WARNING:** KEEP ALL FLAME AND HEAT SOURCES AWAY FROM THIS TENT FABRIC. This tent meets the flammability requirements of CPAI-84. The fabric may burn if left in continuous contact with any flame source. The application of any foreign substance to the tent fabric may render the flame-resistant properties ineffective.

 **CAUTION:** Do not climb on top of the gazebo. Falling off the gazebo can result in serious injury, possibly even death.

Warranty

WHAT IS COVERED

This limited warranty is extended to the original purchaser and applies to defects in materials and workmanship of your item provided the item is maintained with care and used only for personal, residential purposes. The item is warranted to be free from defects in material or workmanship for a period of 2 years.

WHAT IS NOT COVERED

We do not reimburse for transportation of delivery costs, or compensate the individual or any outside party for assembling or disassembling the product.

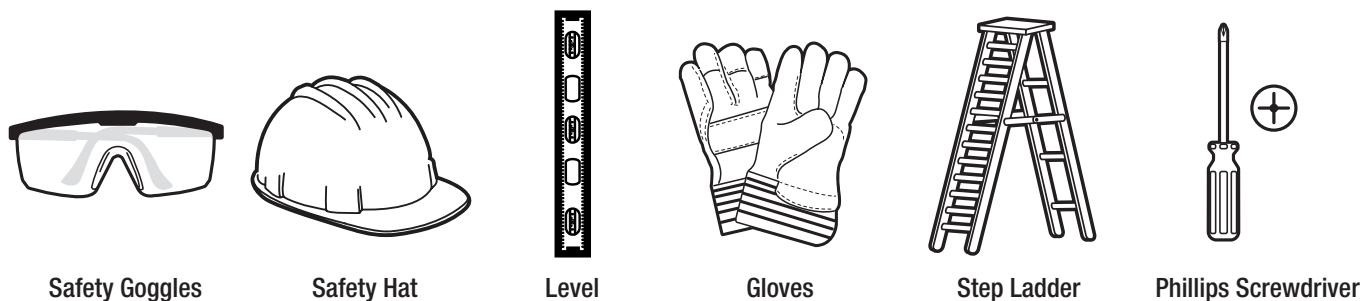
Contact the Customer Service Team at 1-855-HD-HAMPTON or visit www.HAMPTONBAY.com.

Pre-Assembly


PLANNING ASSEMBLY

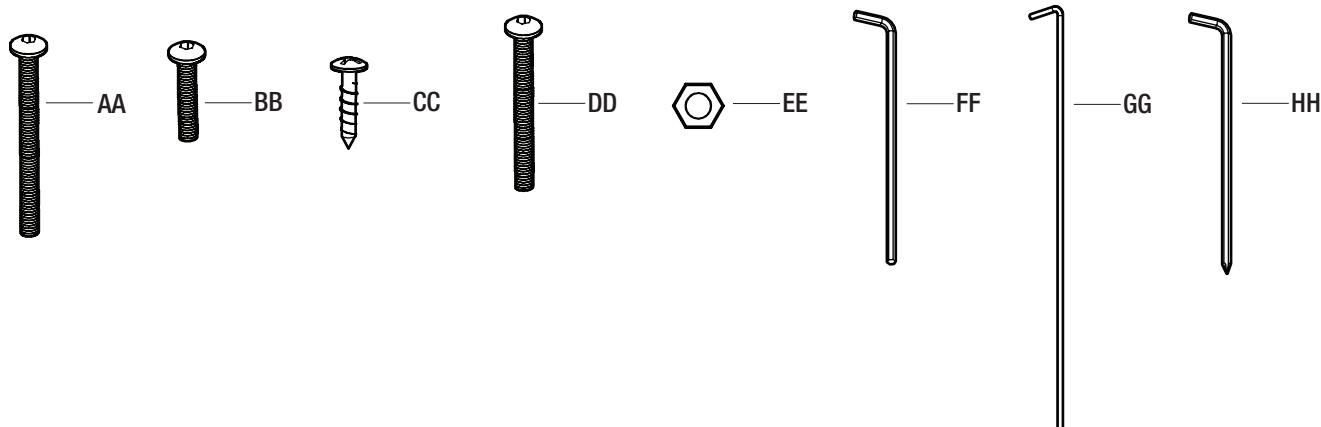
Before beginning assembly of this product, make sure all parts are present. Compare parts with the Hardware Included and Package Contents lists. If any part is missing or damaged, do not attempt to assemble the product. Contact customer service for replacement parts.

TOOLS REQUIRED (NOT INCLUDED)



HARDWARE INCLUDED

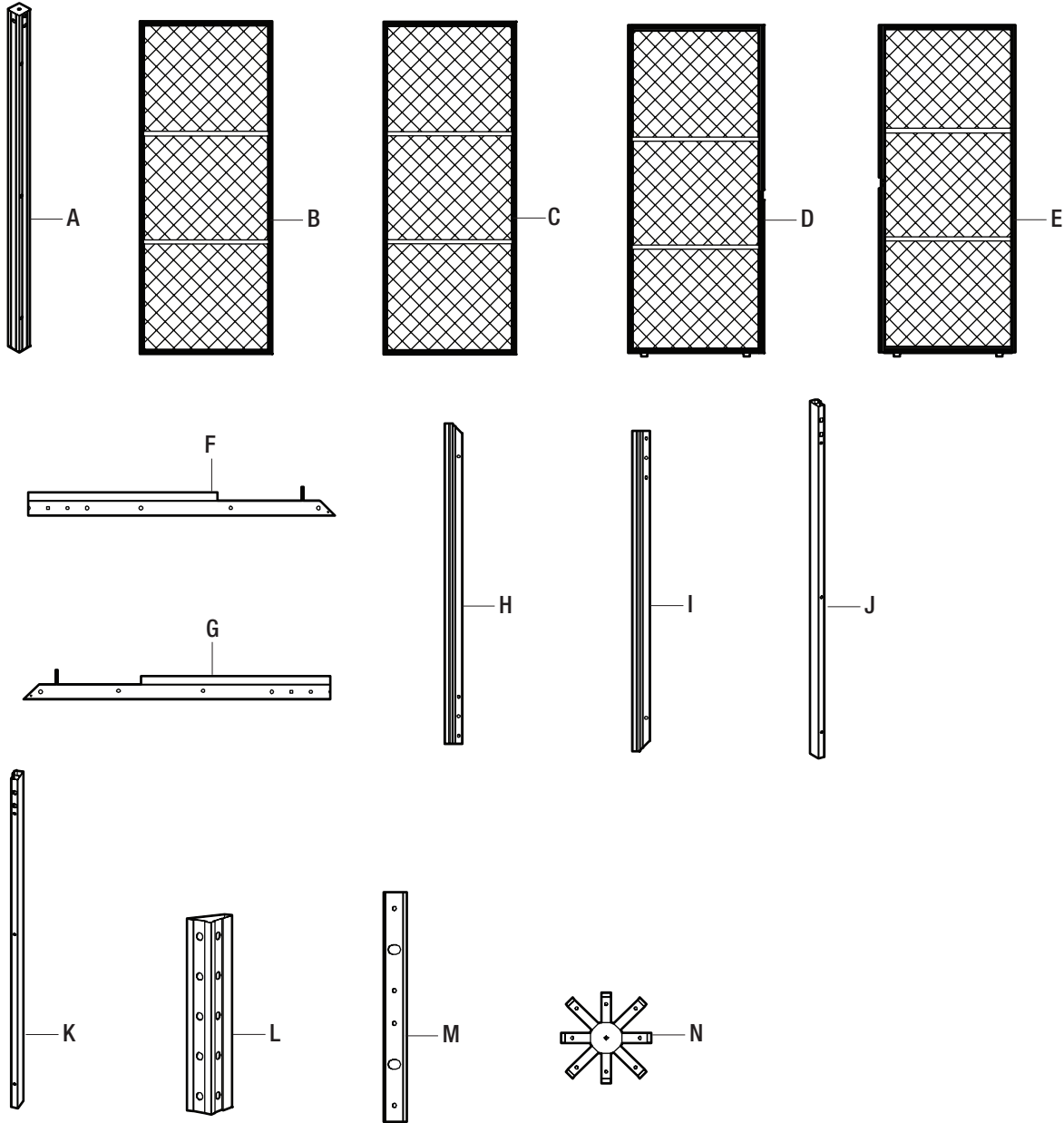
 **NOTE:** Hardware not shown to actual size.



| Part | Description | Quantity | Part | Description | Quantity |
|------|-------------|----------|------|--------------|----------|
| AA | M6x35 bolt | 24 | EE | M6 nut | 16 |
| BB | M6x15 bolt | 184 | FF | Hex wrench | 2 |
| CC | M5x15 screw | 8 | GG | Ground stake | 16 |
| DD | M6x30 bolt | 16 | HH | Screwdriver | 1 |

Pre-Assembly (continued)

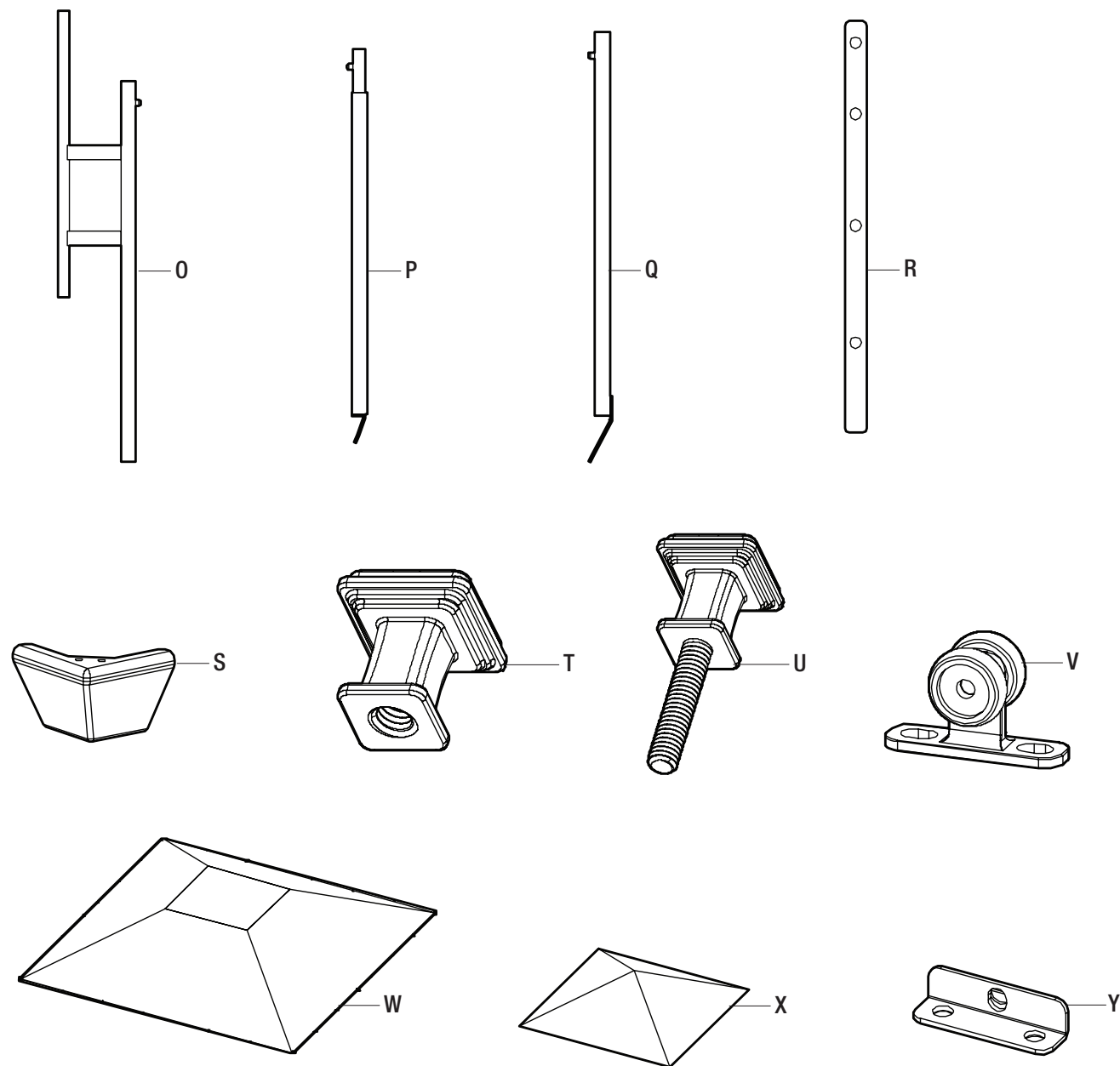
PACKAGE CONTENTS



| Part | Description | Quantity | Part | Description | Quantity |
|------|--------------|----------|------|-----------------------|----------|
| A | Post | 4 | H | Lower slide rail | 4 |
| B | Wall screen | 4 | I | Lower slide rail | 4 |
| C | Wall screen | 4 | J | Upper rail track | 4 |
| D | Sliding door | 4 | K | Upper rail track | 4 |
| E | Sliding door | 4 | L | Inner connector | 4 |
| F | Support bar | 4 | M | Lower track connector | 4 |
| G | Support bar | 4 | N | Top center connector | 1 |

Pre-Assembly (continued)

PACKAGE CONTENTS (CONTINUED)



| Part | Description | Quantity | Part | Description | Quantity |
|------|--------------------|----------|------|------------------|----------|
| O | Upper corner bar | 4 | U | Door bolt | 8 |
| P | Lower corner bar | 4 | V | Track wheel | 16 |
| Q | Middle bar | 4 | W | Large canopy | 1 |
| R | Roof finishing bar | 8 | X | Small canopy | 1 |
| S | Corner connector | 4 | Y | Screen connector | 8 |
| T | Door knob | 8 | | | |

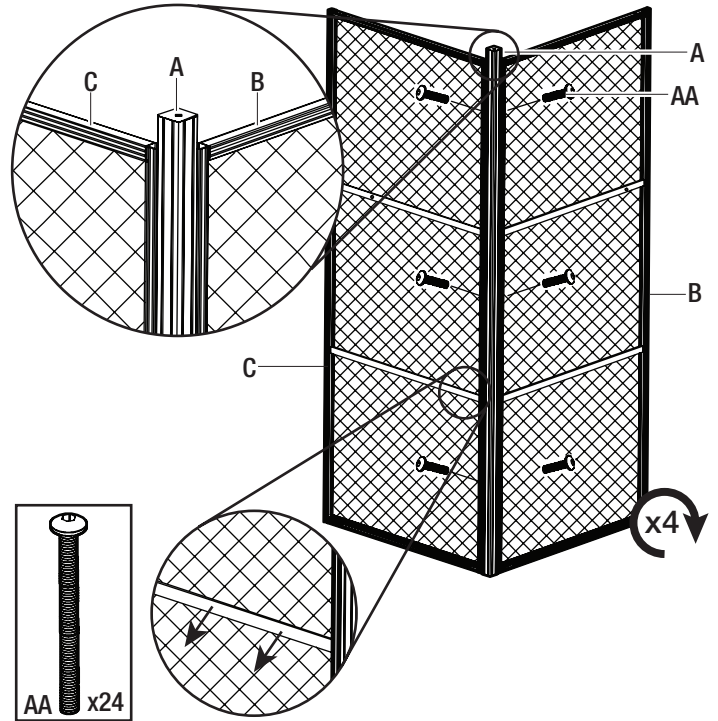
Assembly

1 Assembling the wall screens

- Position a wall screen (B) to the right side of a post (A) and a wall screen (C) to the left side of the post (A). Secure the wall screens (C and B) to the post (A) using M6x35 bolts (AA).
- Repeat for the remaining wall screens (B and C) and posts (A).

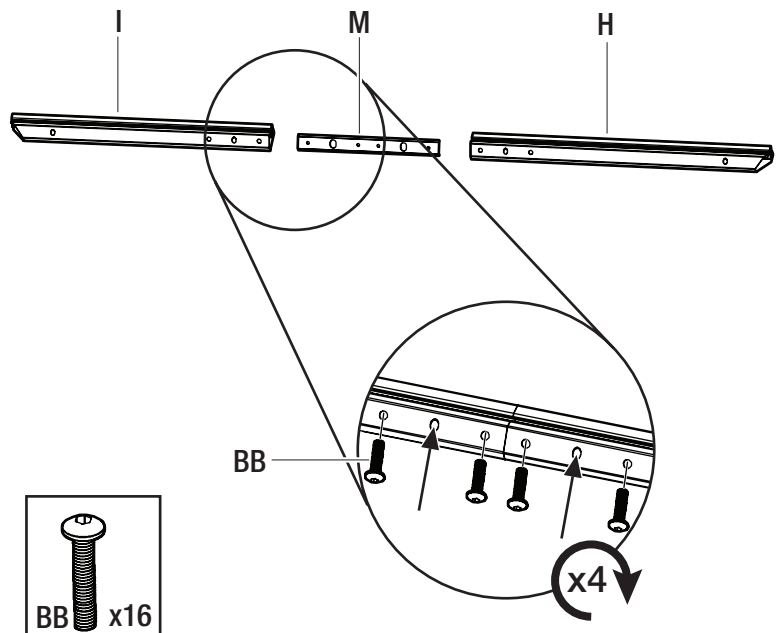


NOTE: Ensure the horizontal supports on the screens (B and C) go on the outside of the gazebo.



2 Assembling the lower slide rails

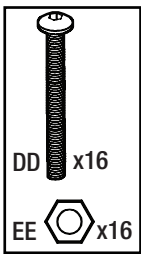
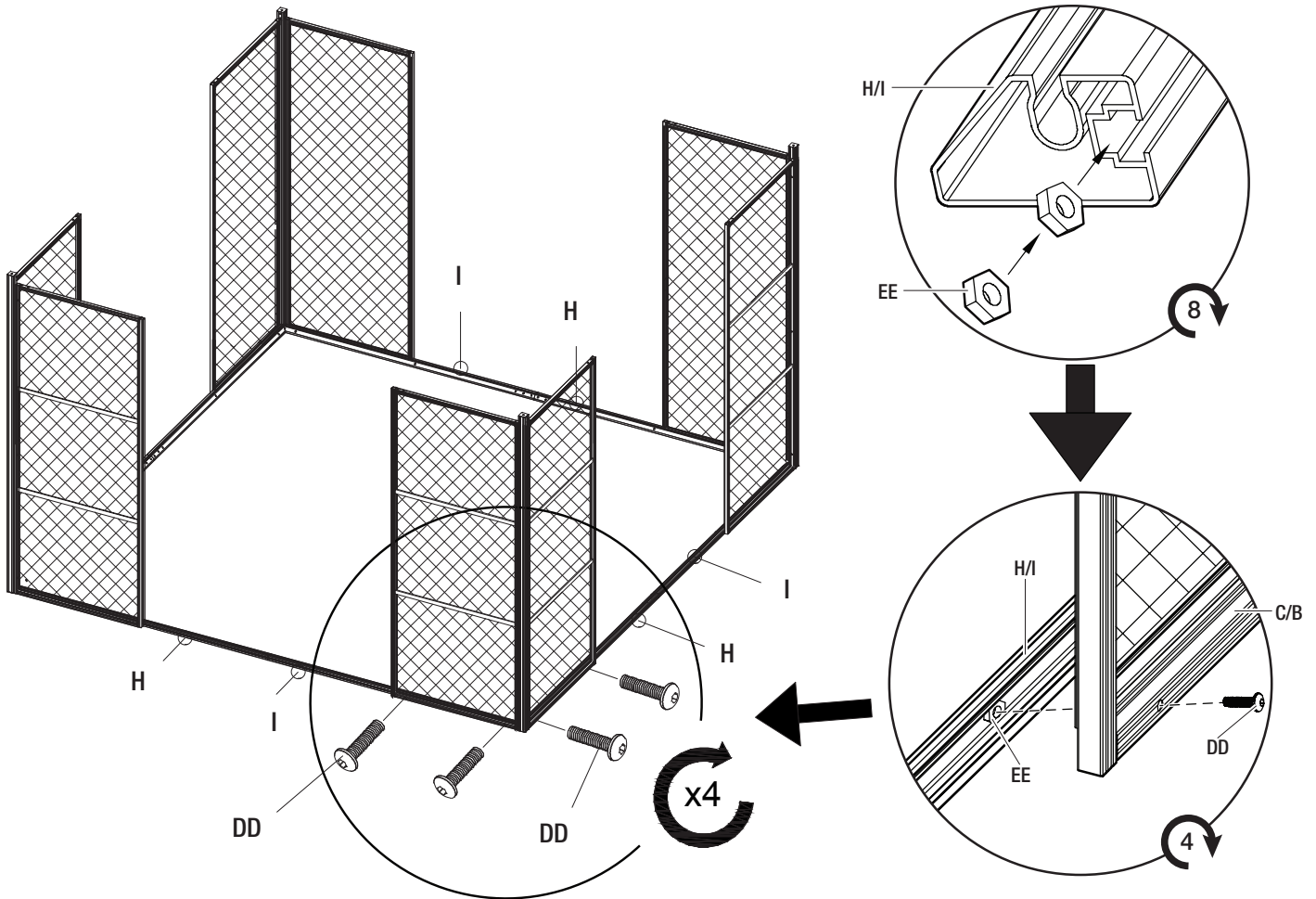
- Connect a lower slide rail (I) and a lower slide rail (H) onto a lower track connector (M) until the slide rails (I and H) meet in the center of the lower track connector (M).
- Connect the slide rails (I and H) to the lower track connector (M) using M6x15 bolts (BB), ensuring the center hole on the slide rails (I and H) is exposed.
- Repeat for the remaining slide rails (I and H) and lower track connectors (M).



Assembly (continued)

3 Attaching the lower slide rails

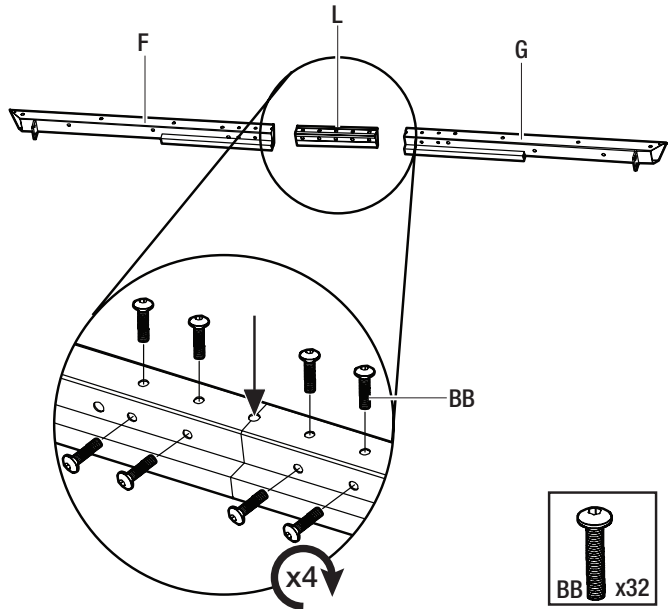
- Position the lower slide rail assemblies (H and I) along the bottom perimeter of the gazebo assembly.
- Position two nuts (EE) into each left lower slide rail (H) and right lower slide rail (I), as shown.
- Secure the lower slide rail assemblies (H and I) to the bottom corners of the screens (B and C) using M6x30 bolts (DD), ensuring the bolts (DD) go through the screens (B and C) and into the nuts (EE) placed in the slide rail assemblies (H and I).



Assembly (continued)

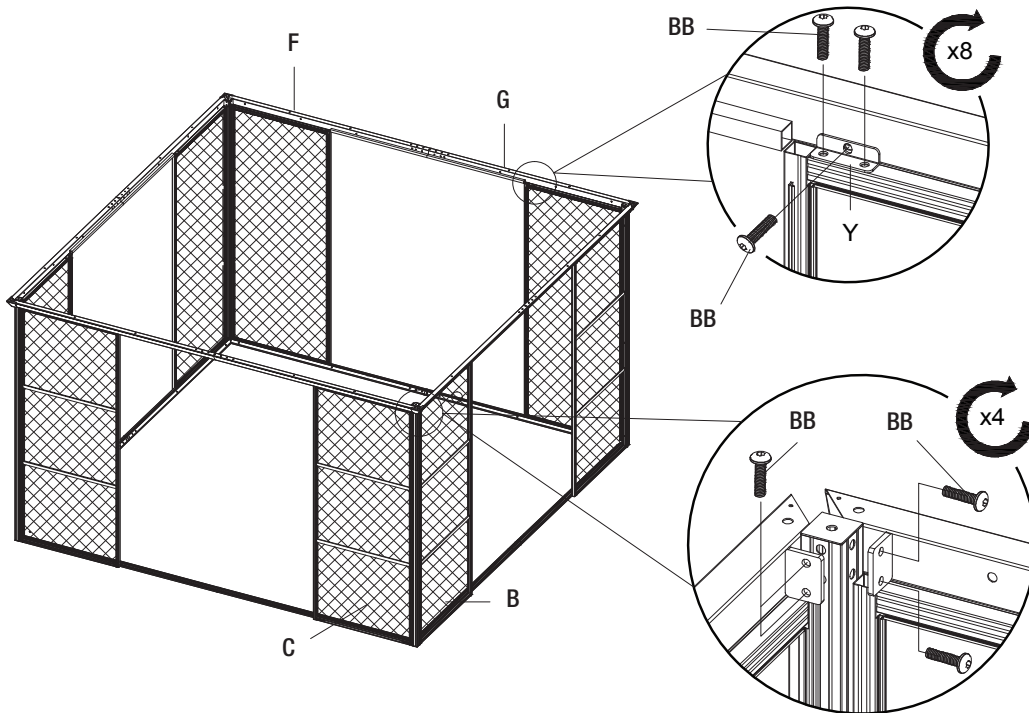
4 Assembling the support bars

- Slide a support bar (F) and a support bar (G) onto an inner connector (L) until they meet in the center of the inner connector (L).
- Secure the support bars (F and G) onto the inner connector (L) using M6x15 bolts (BB). Ensure the center hole of the support bar assembly is exposed, as shown.
- Repeat for the remaining support bars (F and G) and inner connectors (L).



5 Attaching the wall screens to the support bars

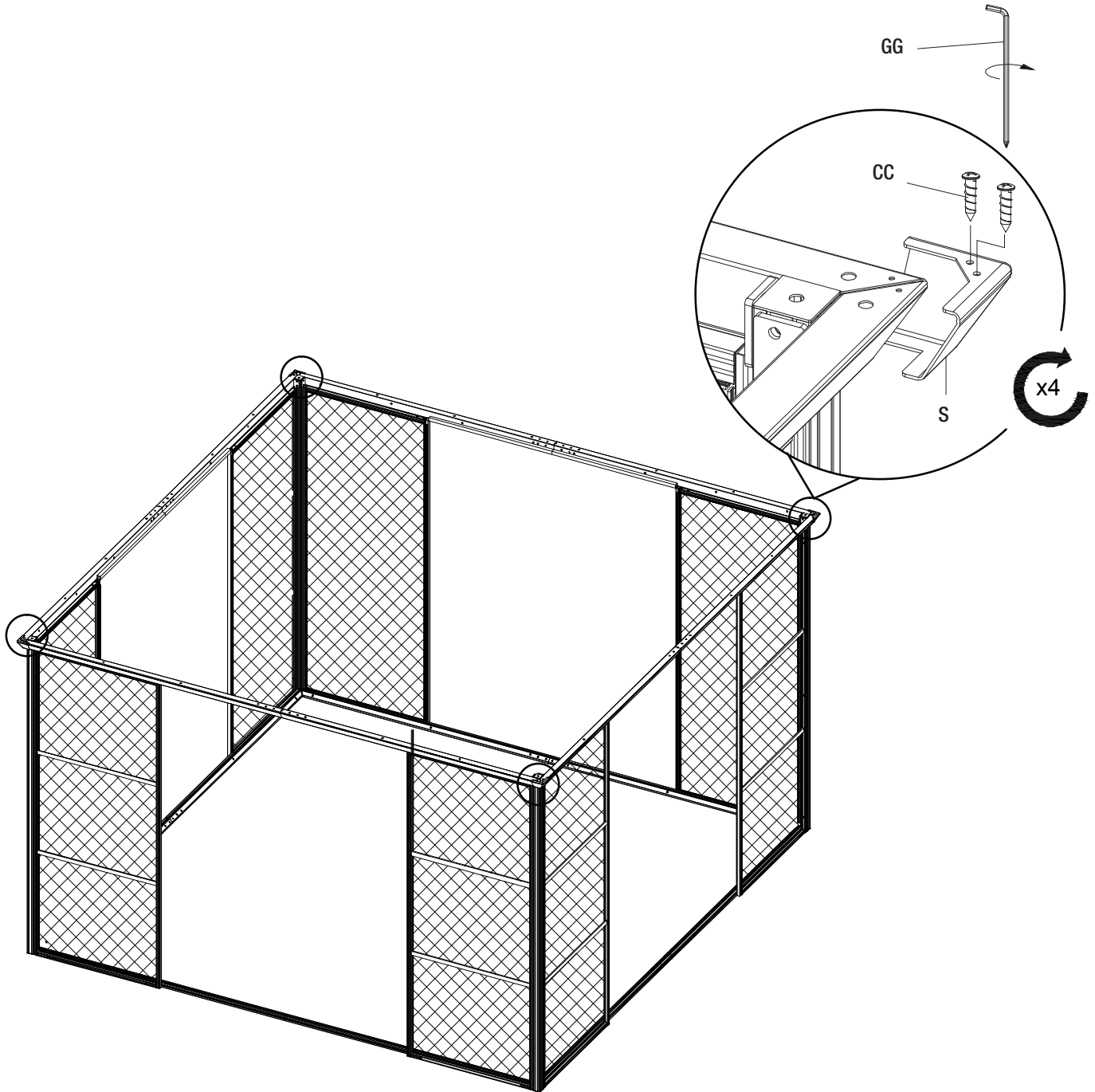
- Connect a support bar assembly (F and G) to the top of a wall screen assembly (B and C) using two screen connectors (Y) and six bolts M6x15 bolts (BB). Repeat for the other three support bar assemblies (F and G) and screen assemblies (B and C).
- Connect the support bars (G and F) to the post (A) using four M6x15 bolts (BB) at each corner.



Assembly (continued)

6 Attaching the corner connectors

- Attach a corner connector (S) to each top corner of the gazebo assembly using two screws (CC). Tighten with the screwdriver (GG).



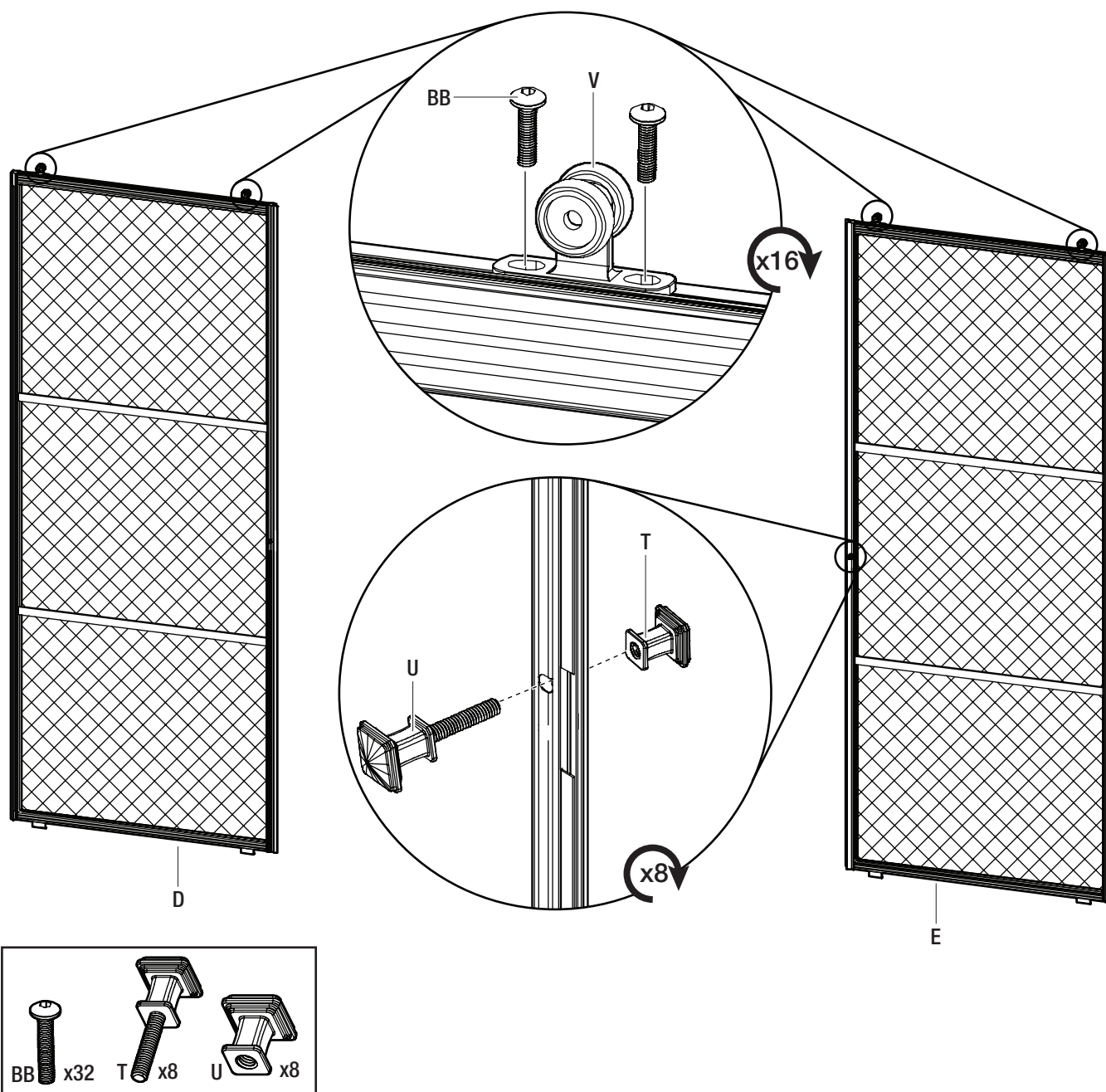
Assembly (continued)

7 Preparing the sliding doors

- Attach two track wheels (V) to each sliding door (D and E) using M6x15 bolts (BB).
- Attach a door bolt (U) to a door knob (T) on each sliding door (D and E).



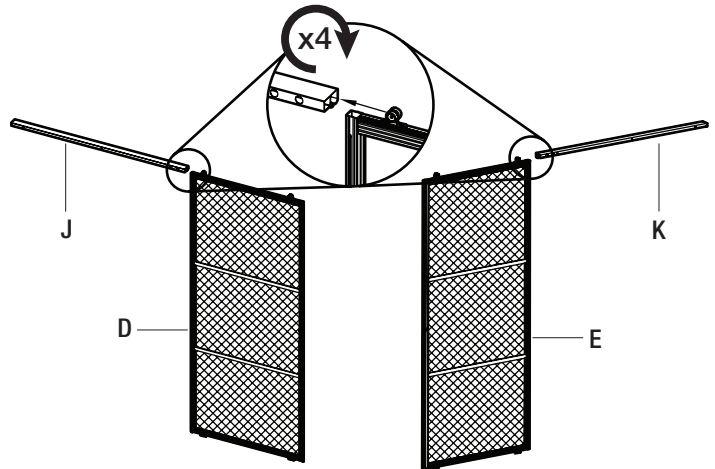
NOTE: Ensure the horizontal supports on the screens (B and C) go on the outside of the gazebo.



Assembly (continued)

8 Attaching the upper rail tracks to the doors

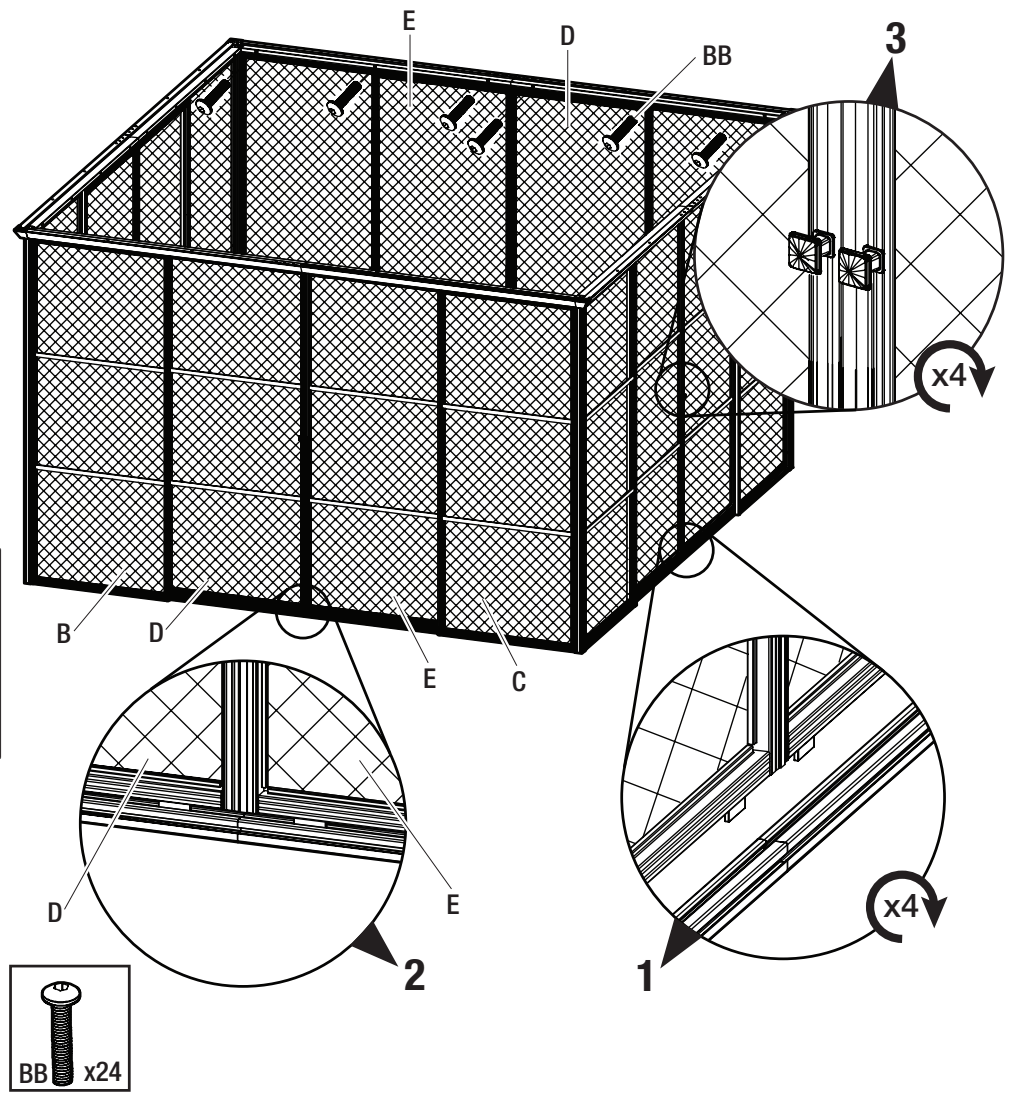
- Slide a upper rail track (J) onto the top of a sliding door (D) and a right upper rail track (K) onto the top of a sliding door (E). Ensure the upper rail tracks (J and K) slide smoothly over the rollers on the tops of the doors (D and E).



9 Installing the sliding doors

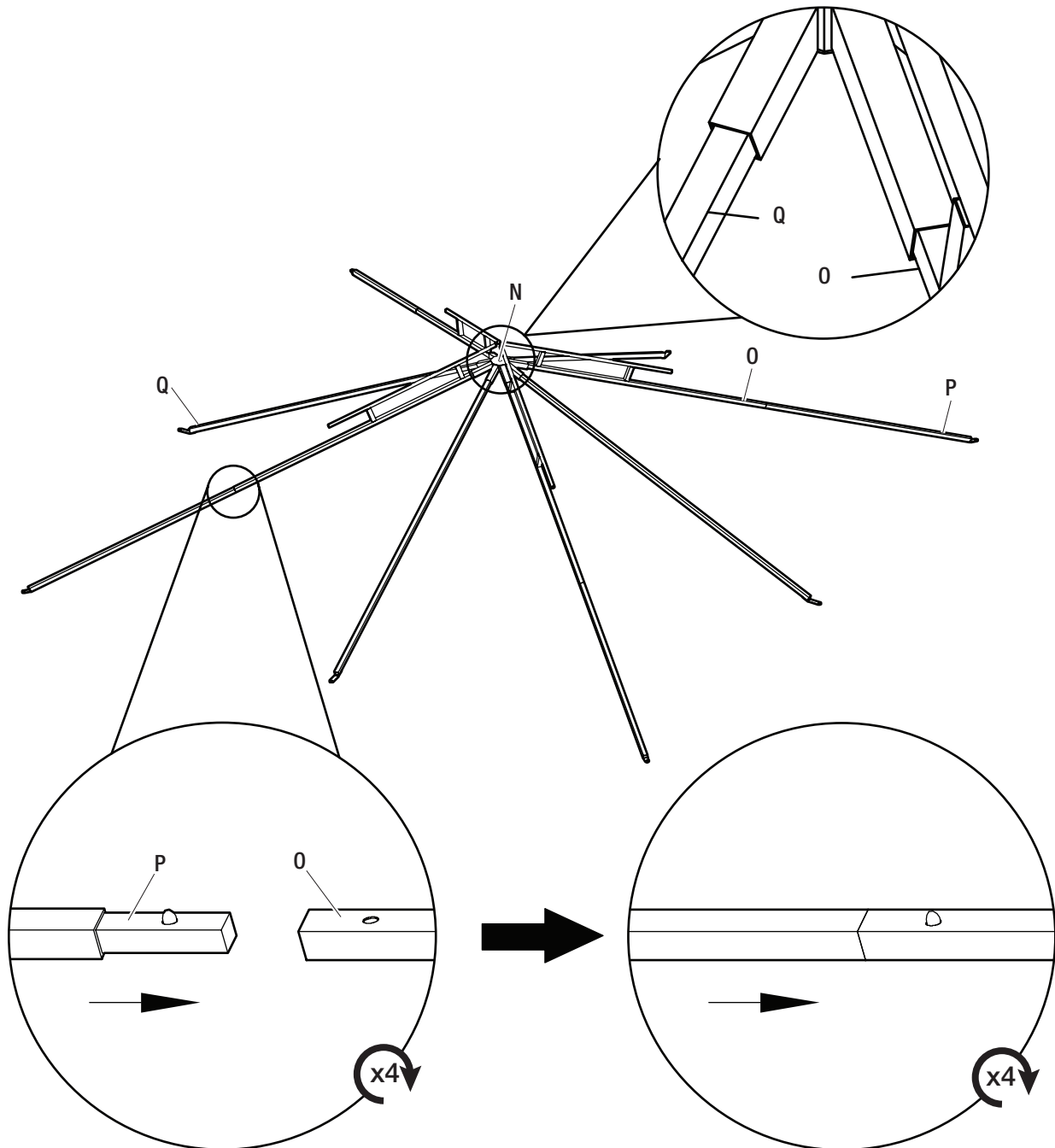
- Position a set of sliding doors (D and E) into the bottom track of the gazebo assembly (see callout 1 and 2). Secure the tops of the doors (D and E) in place using M6x15 bolts (BB). Ensure that you can slide each door (D and E) together until they lock into place (see callout 3).
- Repeat this step until all sets of sliding doors (D and E) are installed on each side of the gazebo assembly.

IMPORTANT: When the screens and doors are assembled accurately, the doors should automatically lock together. If this is not the case, please go back to the previous steps and re-install correctly.



10 Assembling the roof

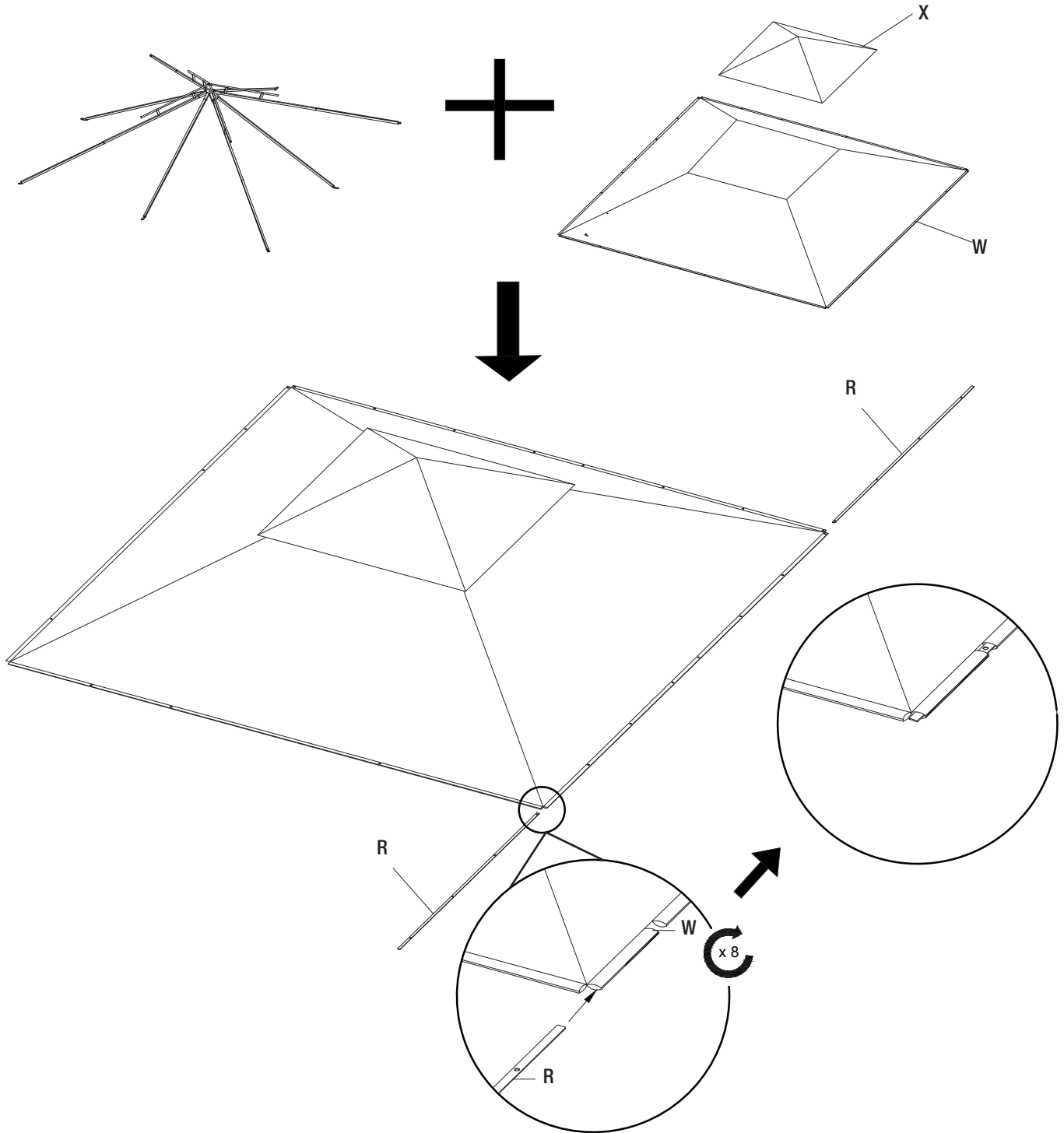
- Connect a middle bar (Q) into every other connector on the top center connector (N) until the middle bars (Q) click into place.
- Connect an upper corner bar (O) into the remaining connectors on the top center connector (N) until the upper corner bars (O) click into place.
- Slide a lower corner bar (P) onto the ends of each upper corner bar (O) until the lower corner bars (P) click into place.



Assembly (continued)

11 Preparing the top cover

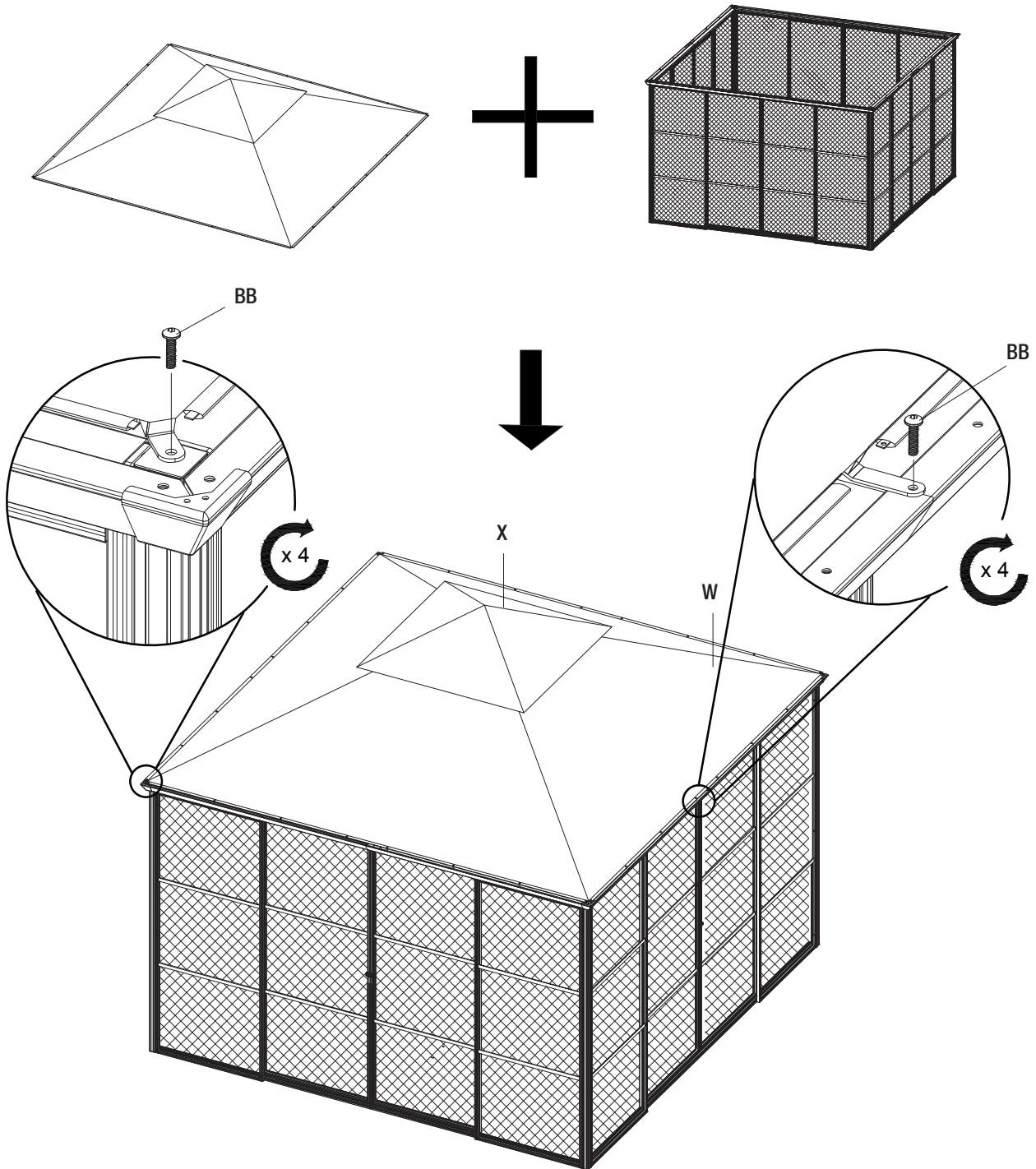
- Place the large canopy (W) and small canopy (X) over the roof.
- Slide the roof finishing bars (R) into each corner of the large canopy (W).



Assembly (continued)

12 Attaching the top cover assembly onto the gazebo

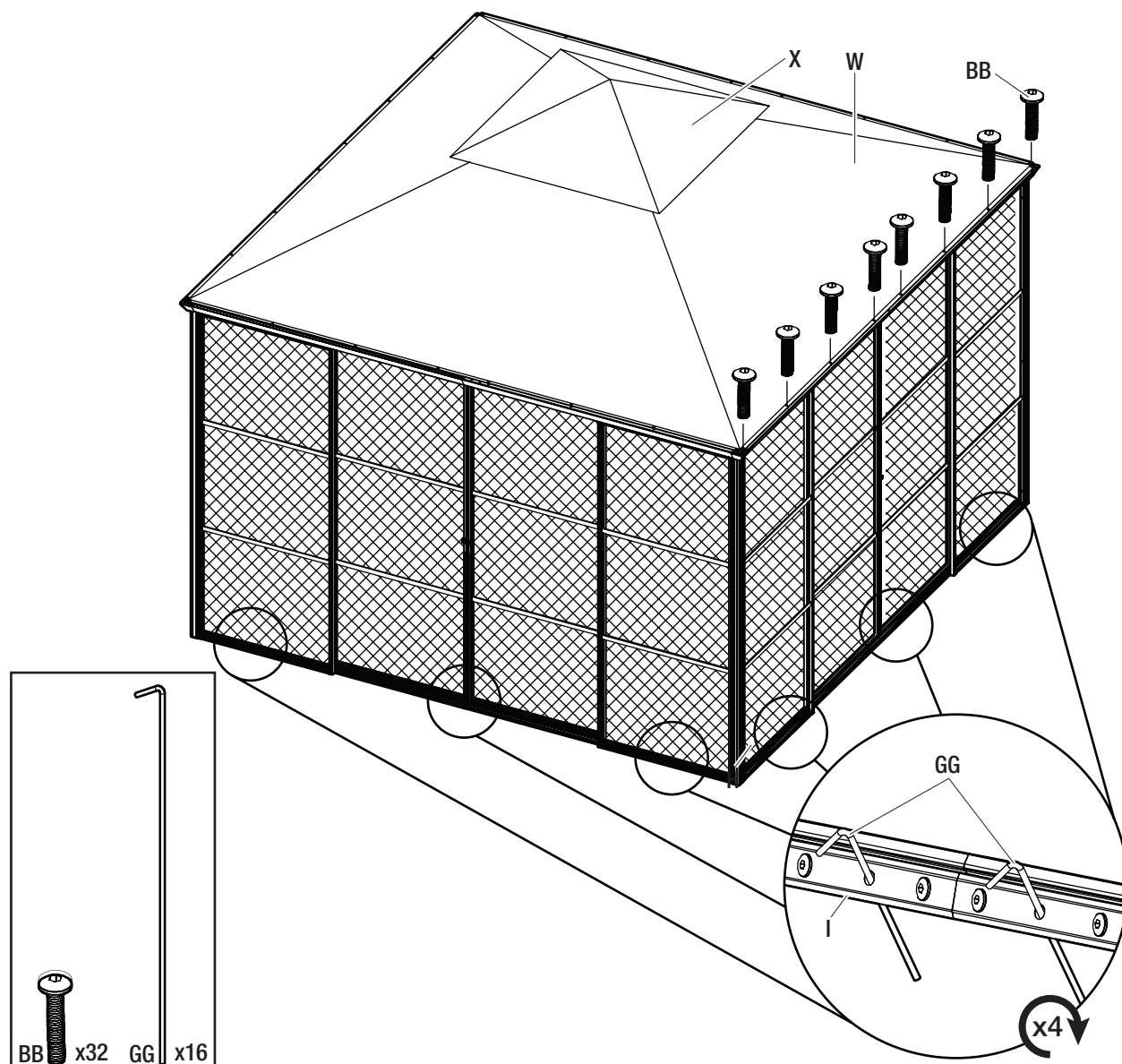
- Place the top cover assembly onto the gazebo.
- Attach the roof assembly to the center and corner sections of the gazebo using M6x15 bolts (BB).



Assembly (continued)

13 Completing the assembly

- Secure the large canopy (W) in place using M6x15 bolts (BB).
- Secure the gazebo to the ground using the ground stakes (GG).



Care and Cleaning

- Clean gently with a sponge using environmentally-friendly soap and water solution. Do not use abrasive materials, such as wire brushes, chemicals, cleansers or bleach. Do not use a pressure washer. Rinse well. Allow to air dry.



Questions, problems, missing parts? Before returning to the store,
call Hampton Bay Customer Service
8 a.m. – 7 p.m., EST, Monday – Friday, 9 a.m. – 6 p.m., EST, Saturday

1-855-HD-HAMPTON

HAMPTONBAY.COM

Retain this manual for future use.