

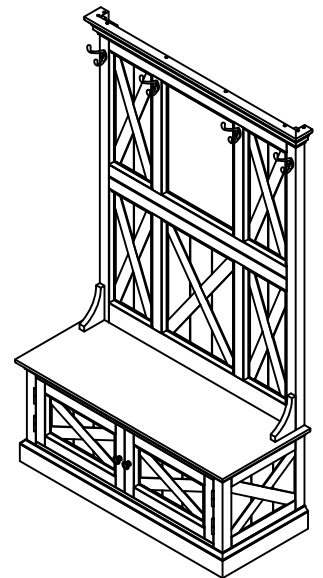
88 5523 491 Hall Tree

IMPORTANT NOTE

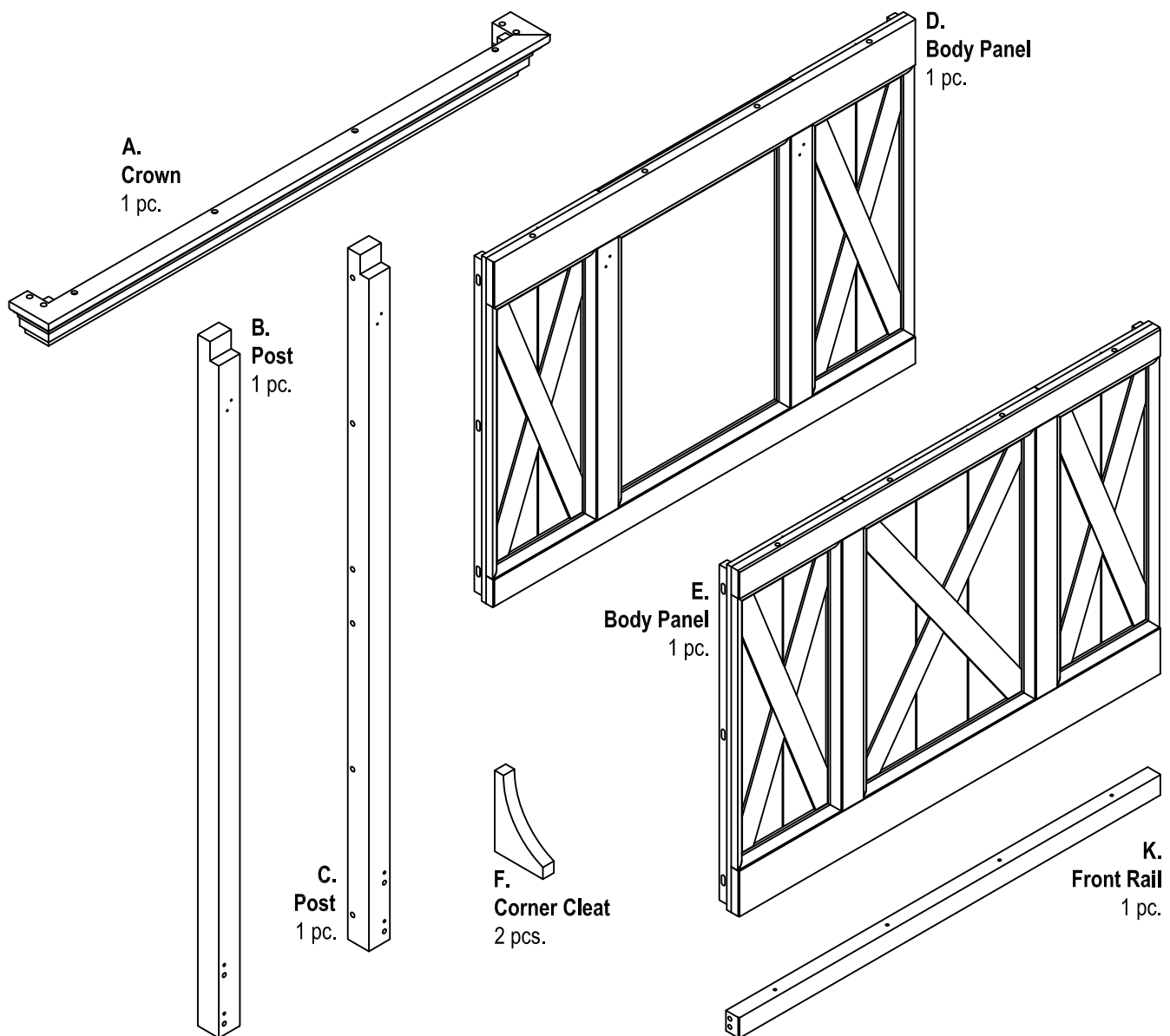
Carefully remove all the parts from the carton and put them individually on a soft cloth to prevent scratches or other damages occurring to the parts.

We have taken great care in the design of this product and request that you carefully and strictly follow our assembly instructions to ensure a completed product as it was designed.

*Home
Styles*



Part List



For assembly see instructions in carton 88 5523 492

Tools Required For Assembly : Phillips screwdriver

Tools Recommended For Assembly : Level

Home Styles Consumer Assistance: www.homestyles-furniture.com,
servicedesk@homestyles-furniture.com, 888-680-7460, 877-831-0319

88 5523 492

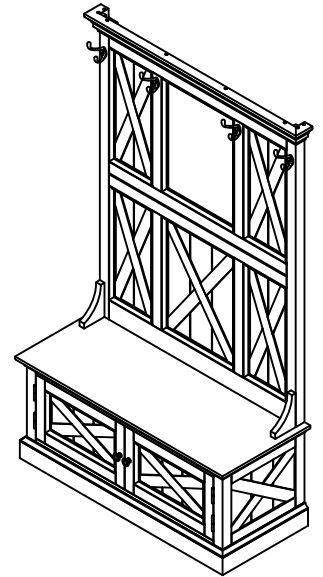
Hall Tree

IMPORTANT NOTE

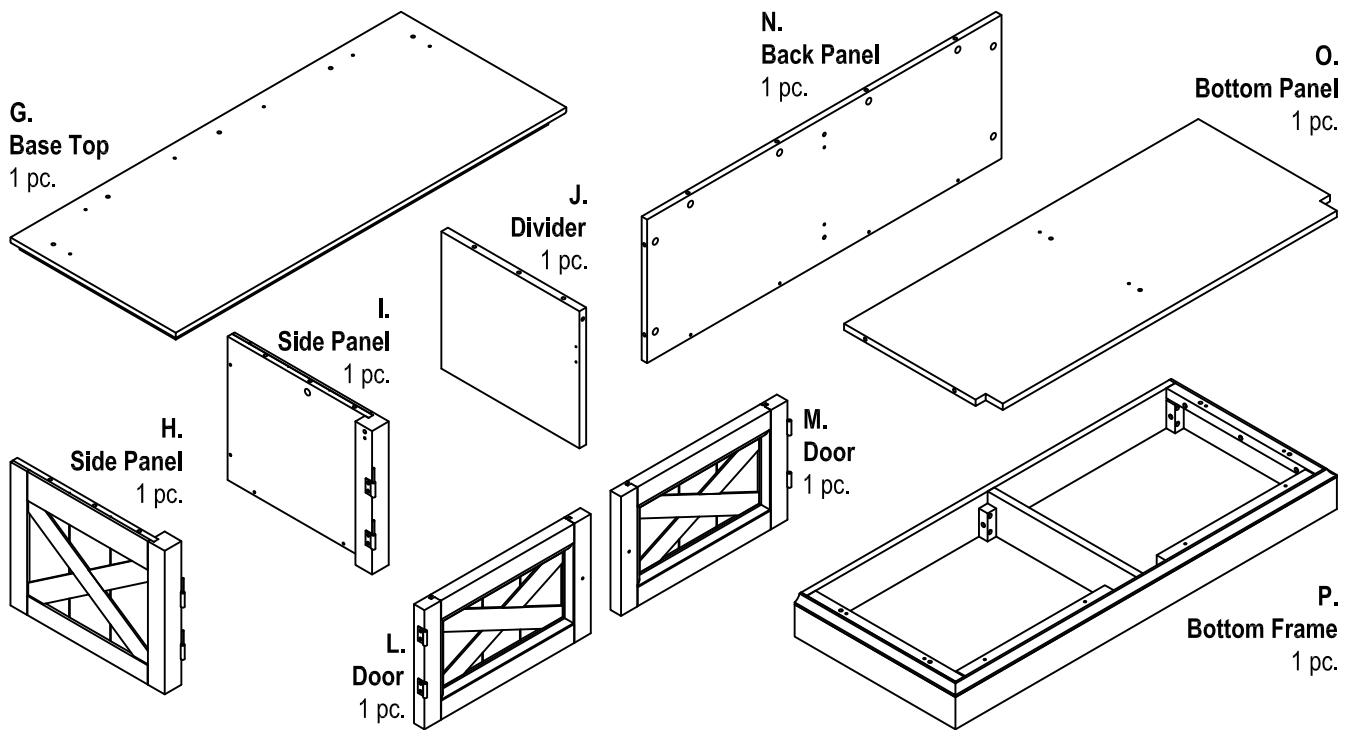
Carefully remove all the parts from the carton and put them individually on a soft cloth to prevent scratches or other damages occurring to the parts.

We have taken great care in the design of this product and request that you carefully and strictly follow our assembly instructions to ensure a completed product as it was designed.

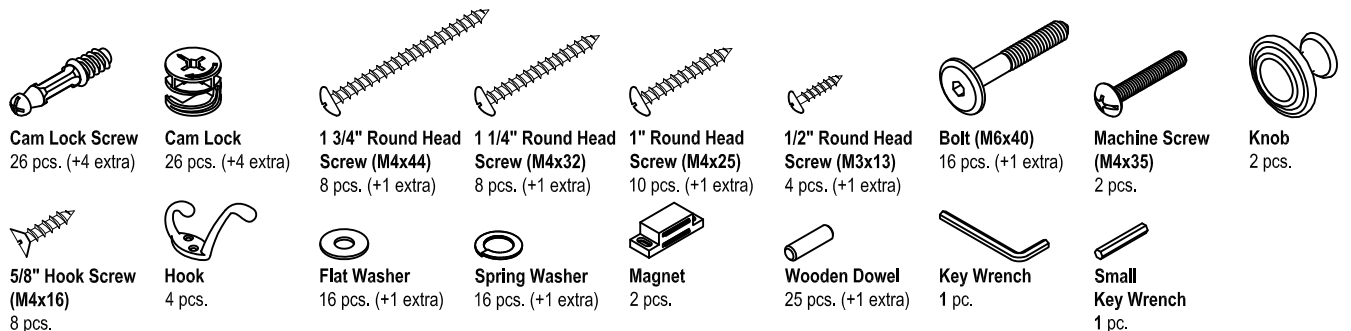
Home Styles



Part List



Hardware List



Also need the Parts in carton 88 5523 491

Tools Required For Assembly : Phillips screwdriver

Tools Recommended For Assembly : Level

Home Styles Consumer Assistance: www.homestyles-furniture.com,
servicedesk@homestyles-furniture.com, 888-680-7460, 877-831-0319

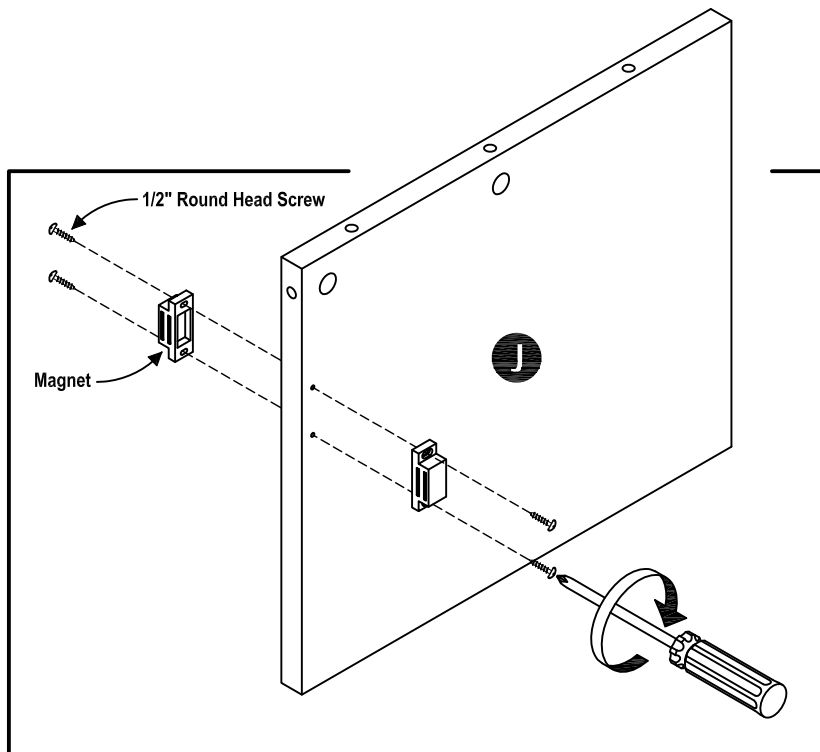
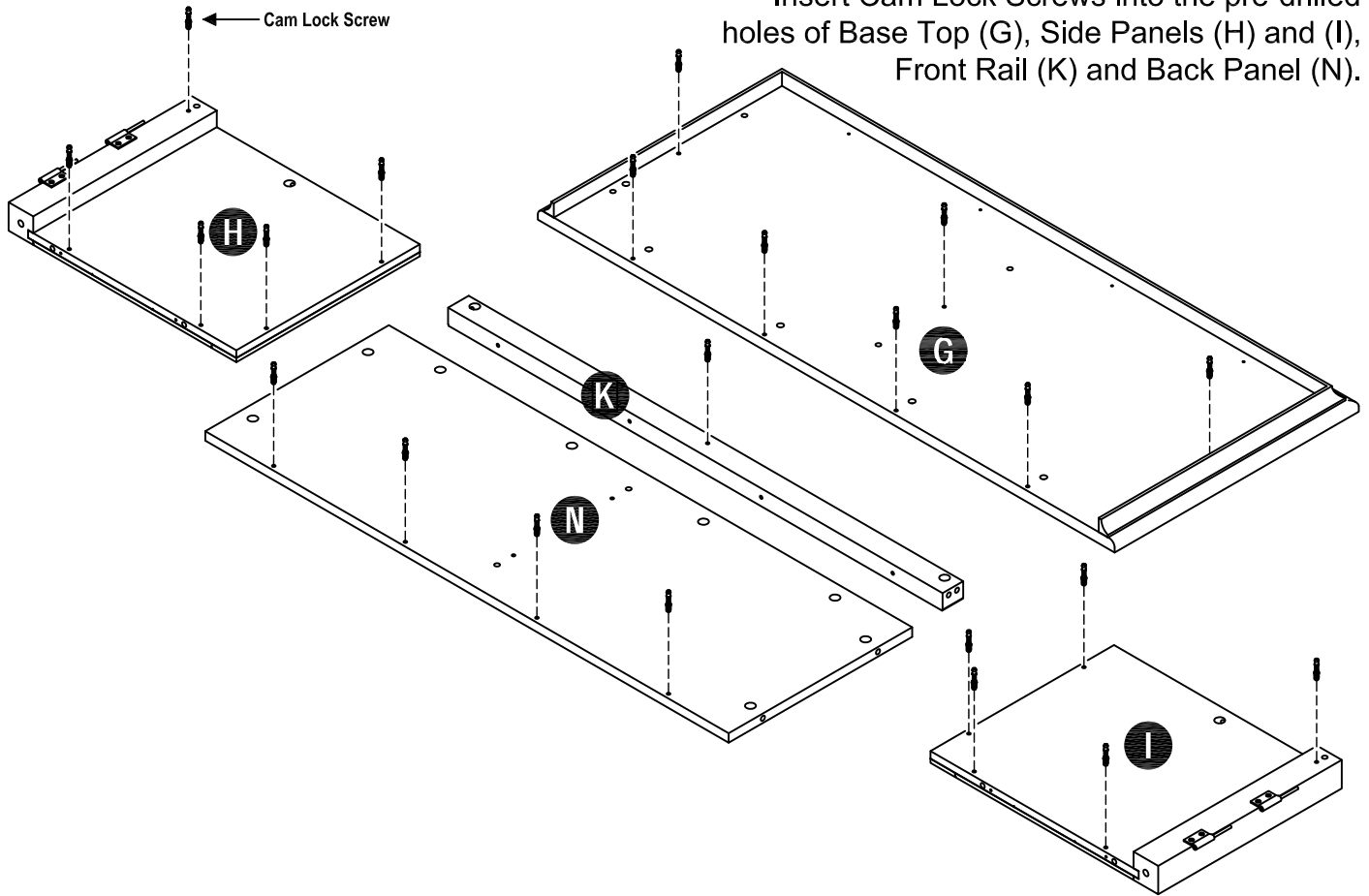
Assembly Instructions 2/9

IMPORTANT

- * Do not tighten up all the screws until each part is properly assembled.
- * Use a soft cloth between these parts and the floor.
- * After assembly, item must be level to work properly.
Use the included adjustable levellers to level.

STEP 1

Insert Cam Lock Screws into the pre-drilled holes of Base Top (G), Side Panels (H) and (I), Front Rail (K) and Back Panel (N).



STEP 2

Attach Magnets to Divider (J) with 1/2 Round Head Screws.

STEP 3

Attach Divider (J) to Front Rail (K) with Cam Lock. (See Figure 1)

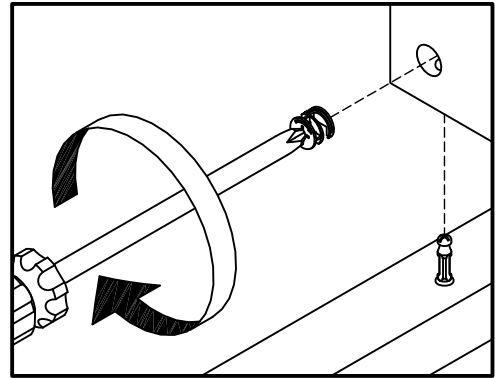
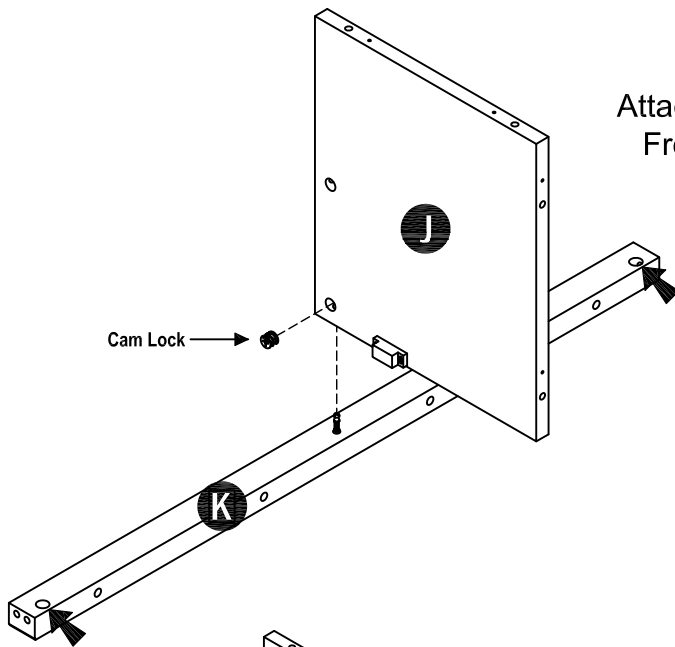
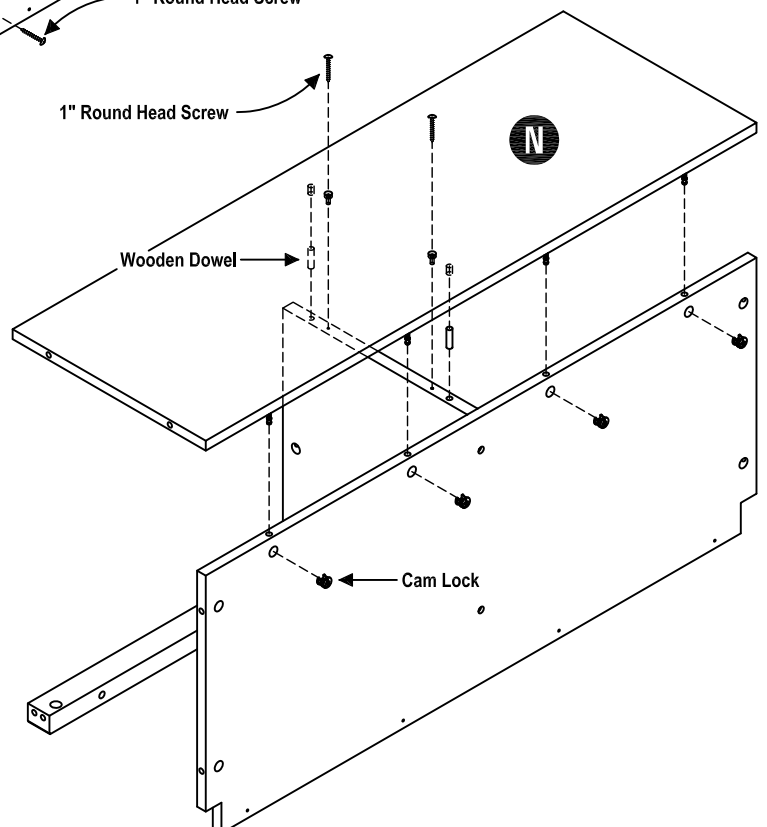
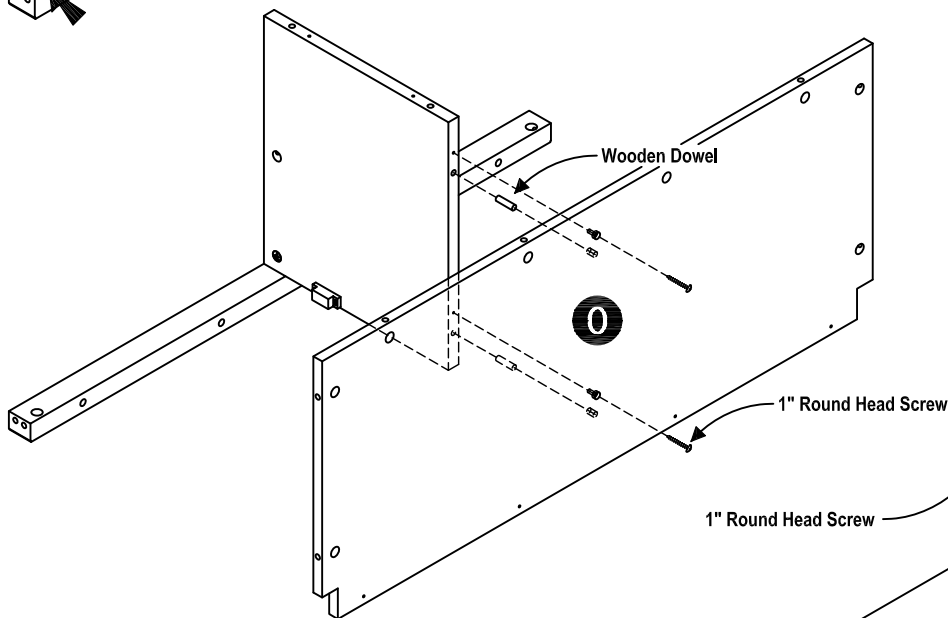


Figure 1



STEP 4

Attach Bottom Panel (O) to unit with 1" Round Head Screws and Wooden Dowels.

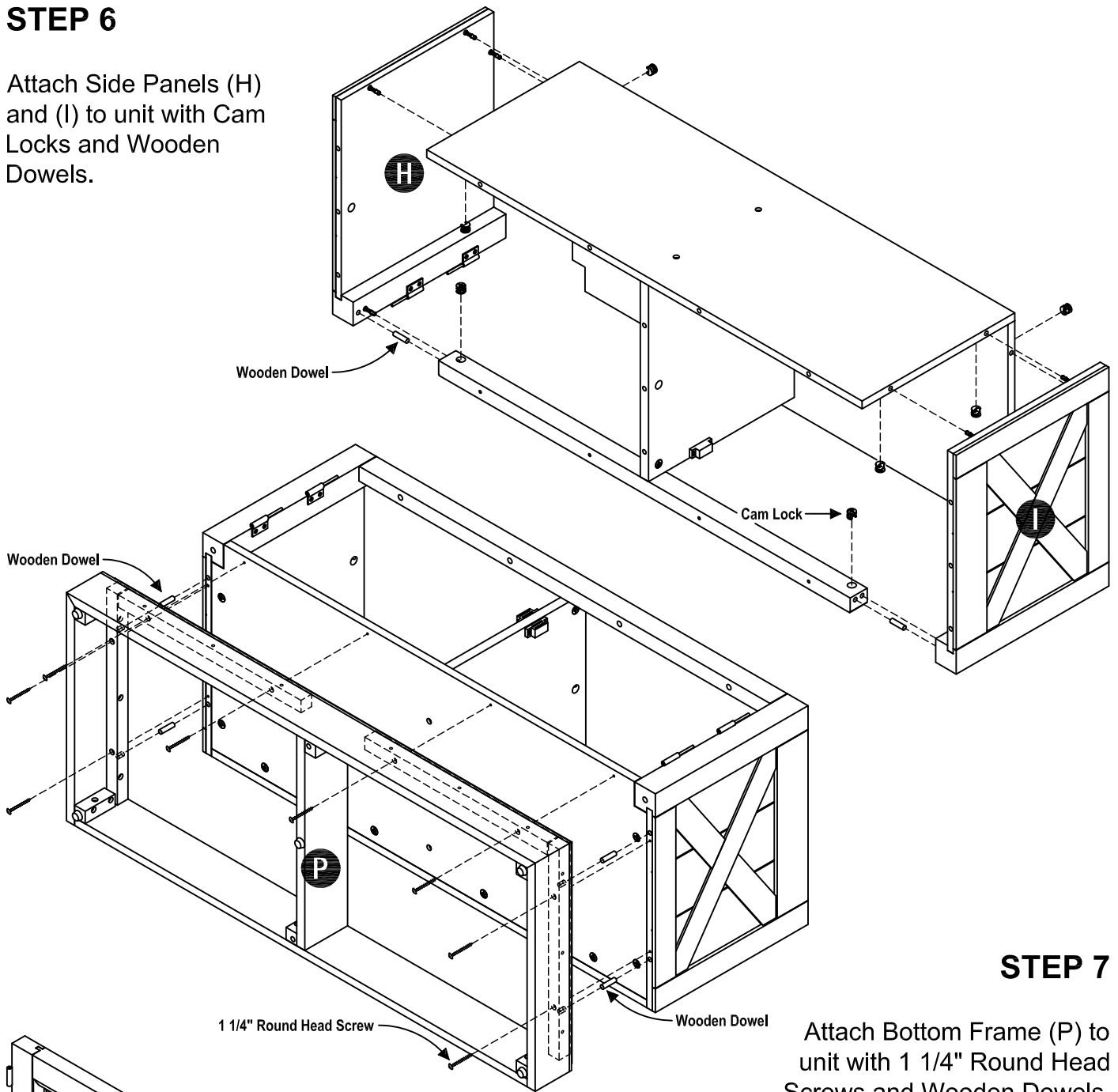


STEP 5

Attach Back Panel (N) to unit with Cam Lock, 1" Round Head Screws and Wooden Dowels.

STEP 6

Attach Side Panels (H) and (I) to unit with Cam Locks and Wooden Dowels.



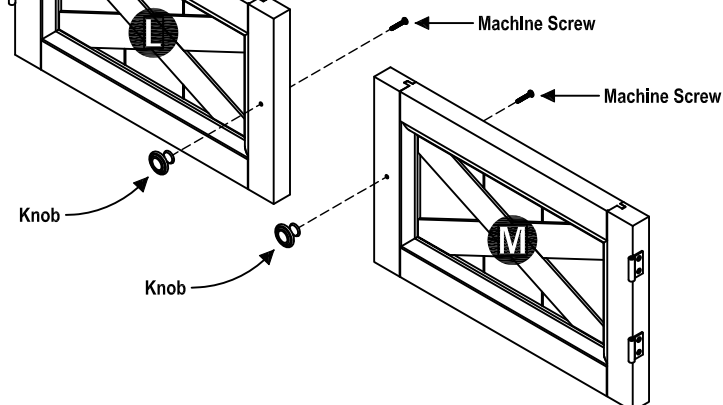
STEP 7

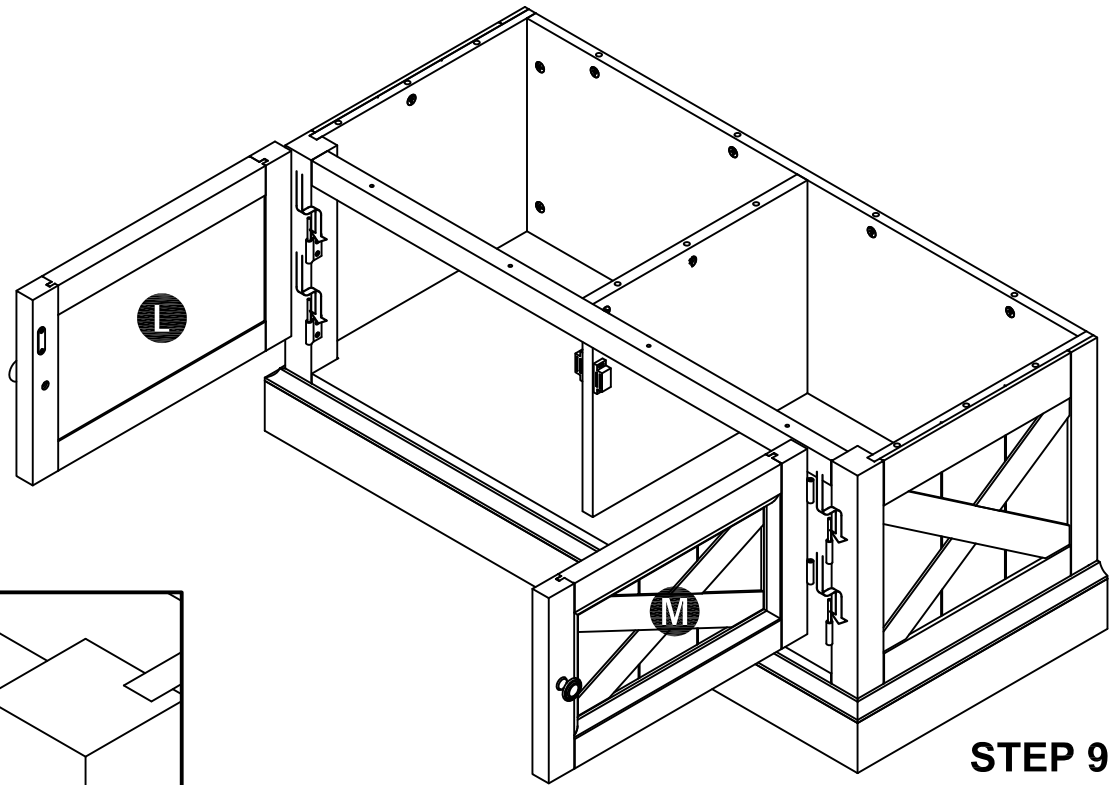
Attach Bottom Frame (P) to unit with 1 1/4" Round Head Screws and Wooden Dowels.



STEP 8

Attach Knobs to Doors (L) and (M) with Machine Screws.





STEP 9

Attach Doors (L) and (M) by sliding the Doors lift hinges into the Side Panels lift hinges.
(See Figure 2)

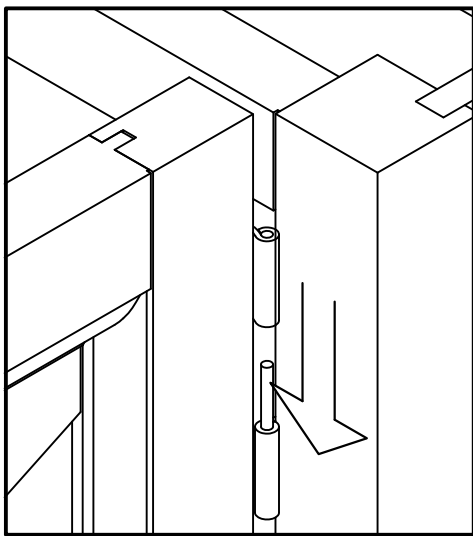
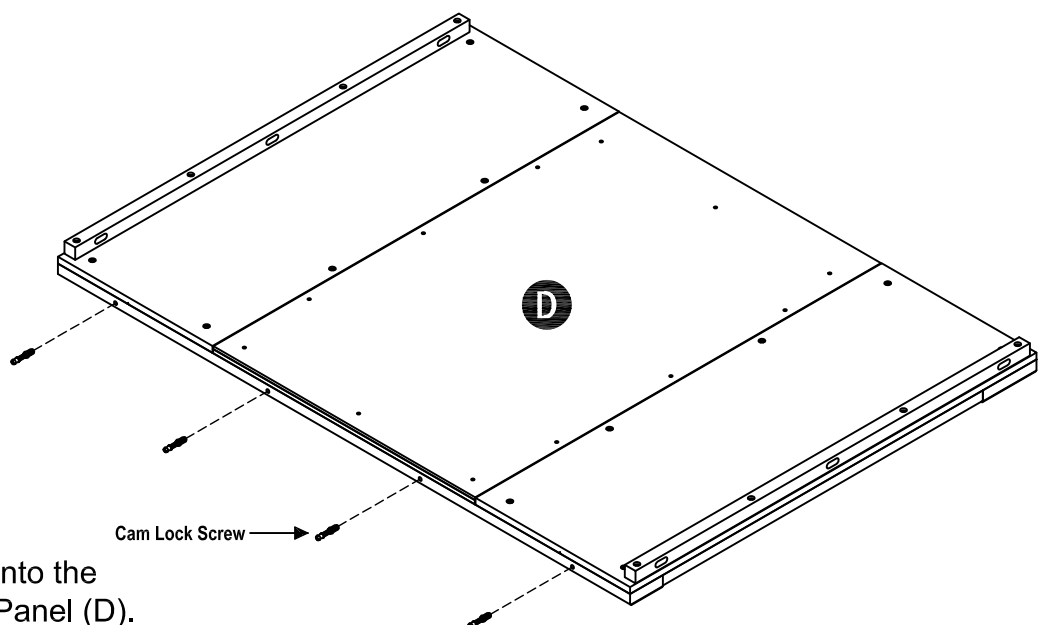


Figure 2

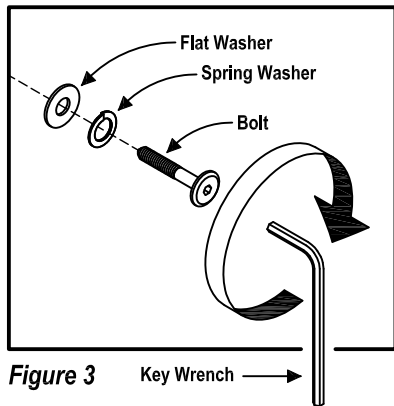
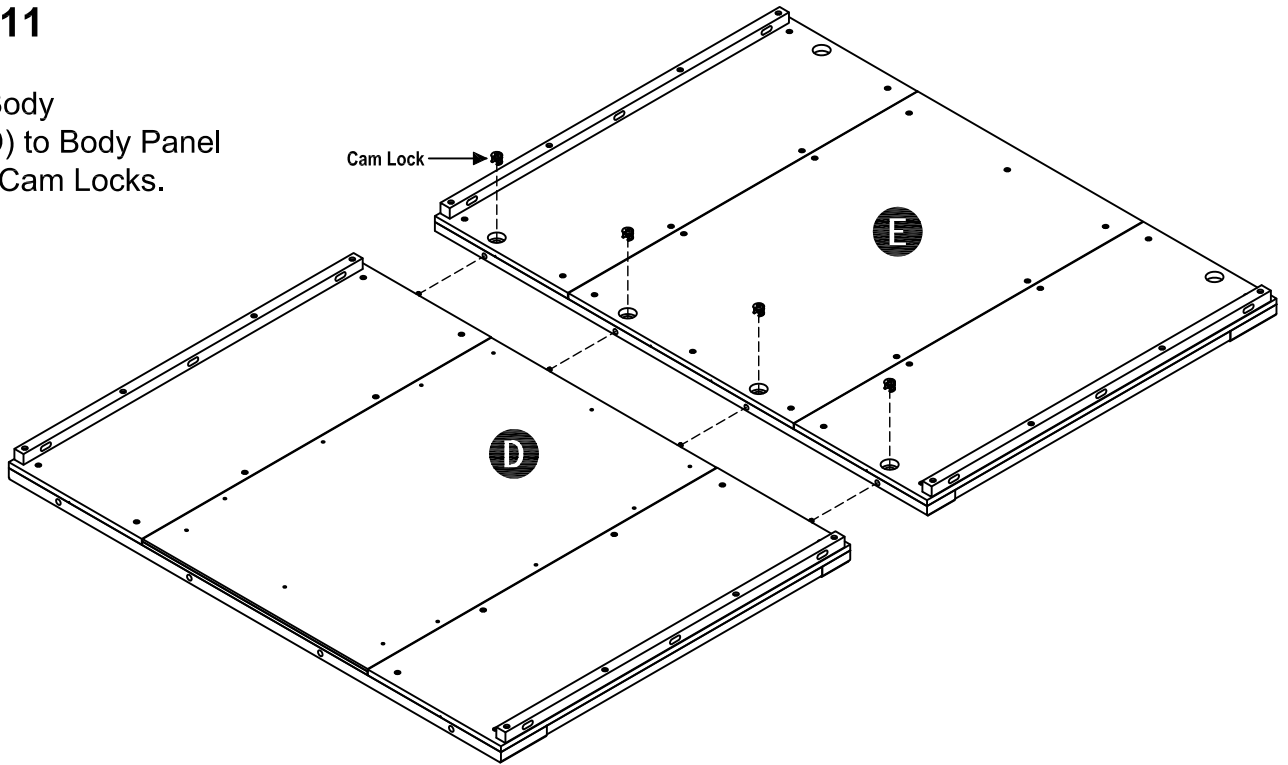


STEP 10

Insert Cam Lock Screws into the pre-drilled holes of Body Panel (D).

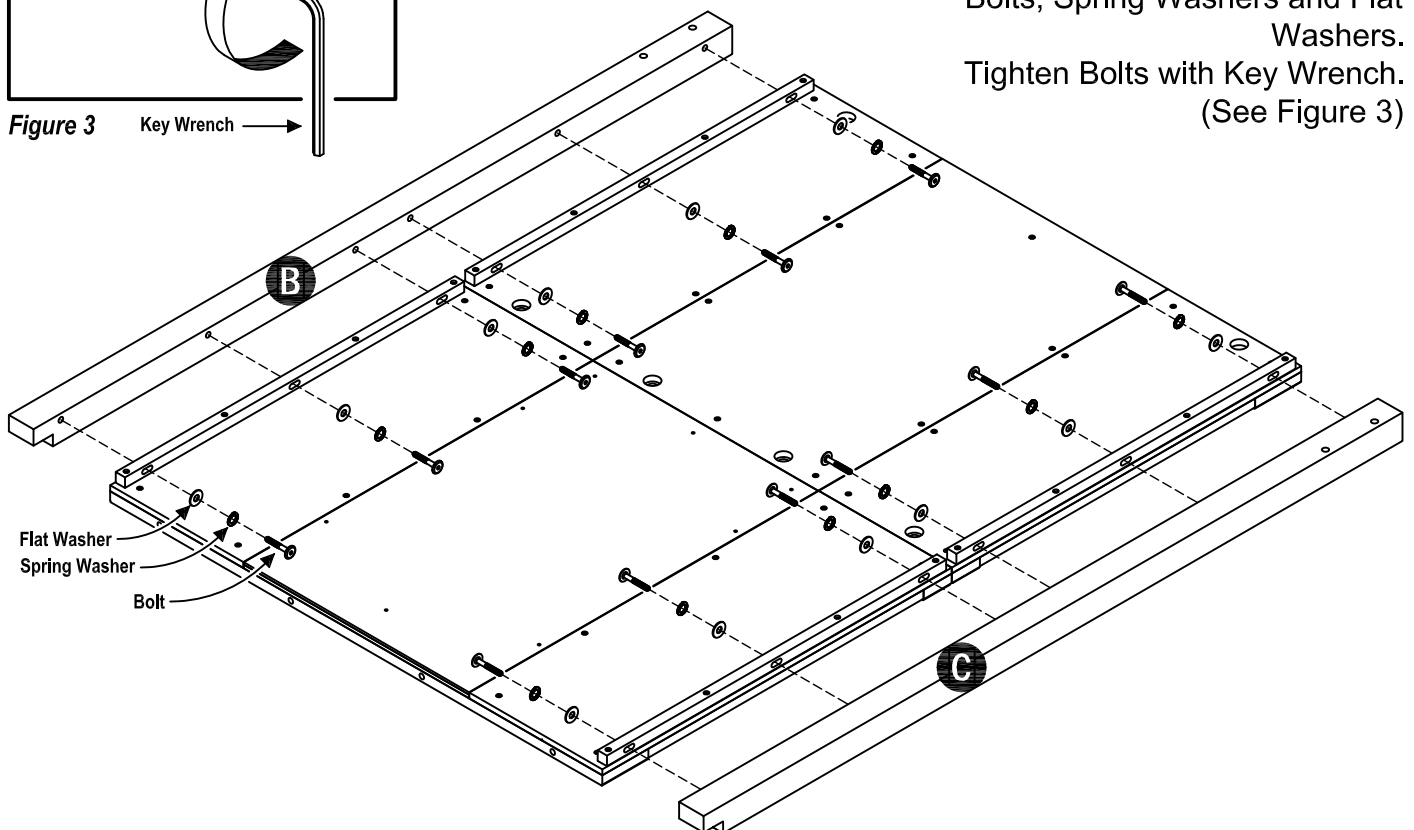
STEP 11

Attach Body Panel (D) to Body Panel (E) with Cam Locks.



STEP 12

Attach Posts (B) and (C) to unit with Bolts, Spring Washers and Flat Washers. Tighten Bolts with Key Wrench. (See Figure 3)



STEP 13

Attach Crown (A) to unit with Bolts, Spring Washers and Flat Washers. Tighten Bolts with Key Wrench. (See Figure 3)

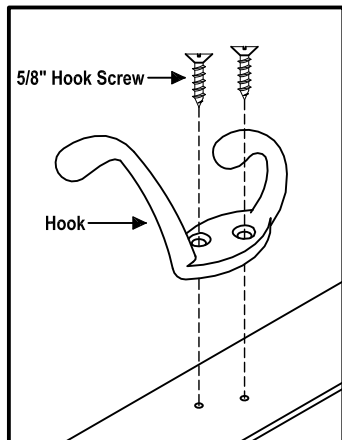
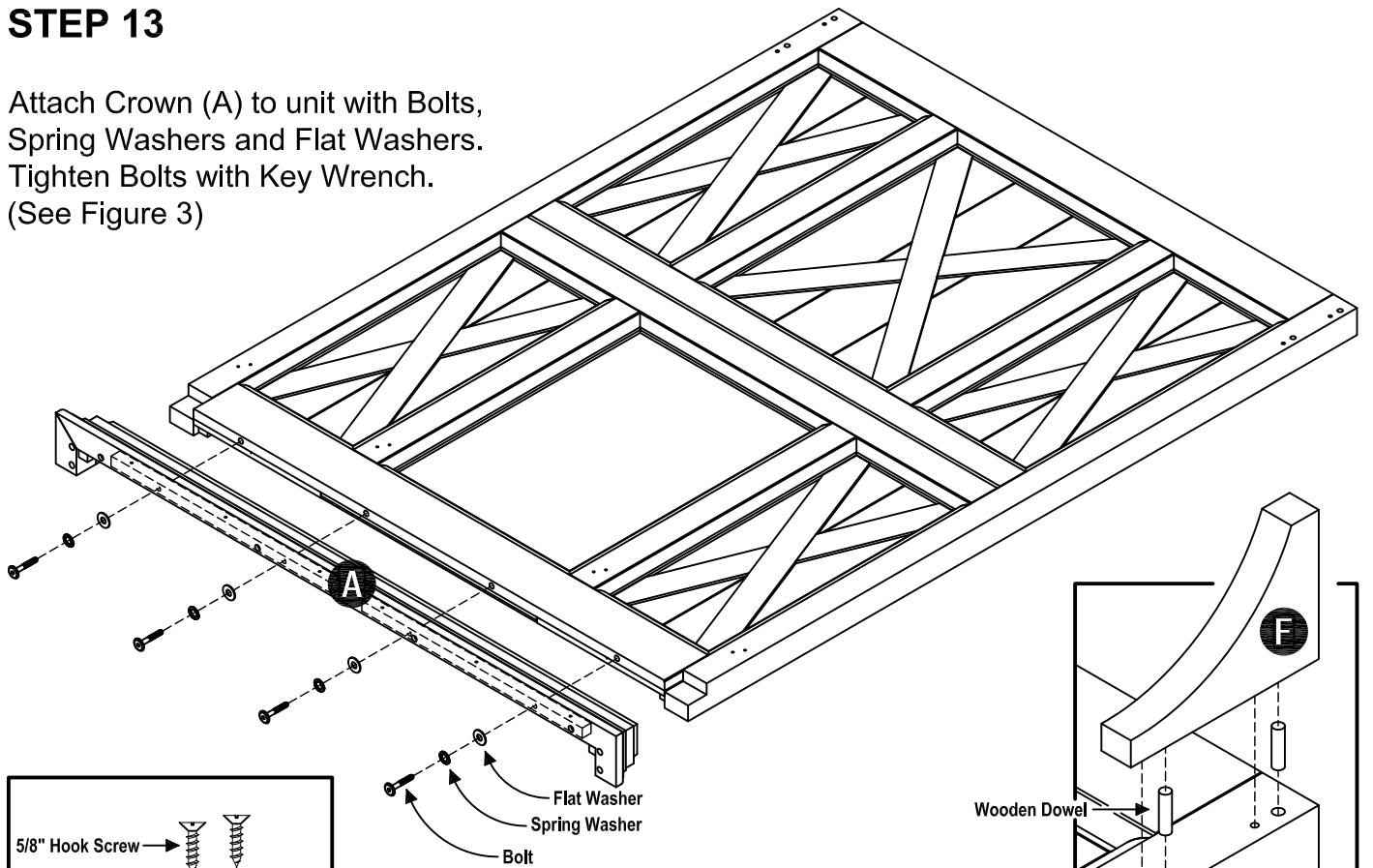
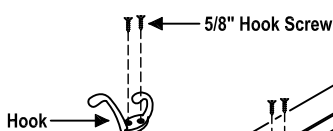


Figure 4



STEP 14

Attach Hooks to unit with 5/8" Hook screws. (See Figure 4)

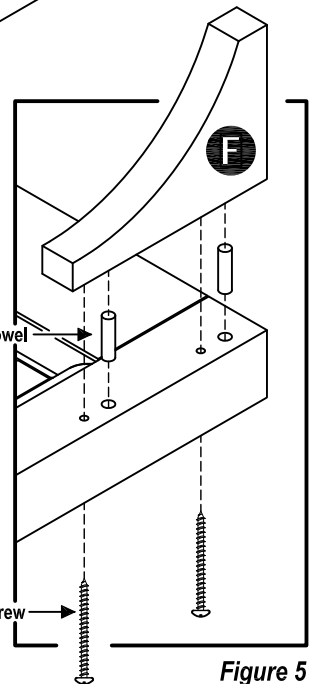
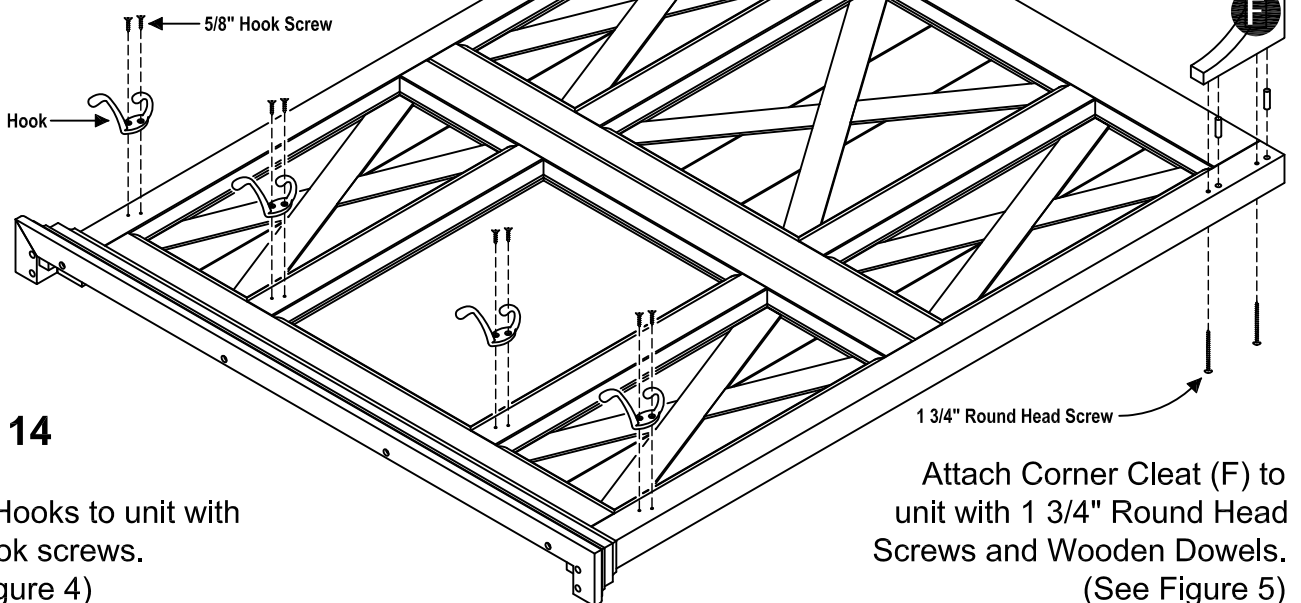
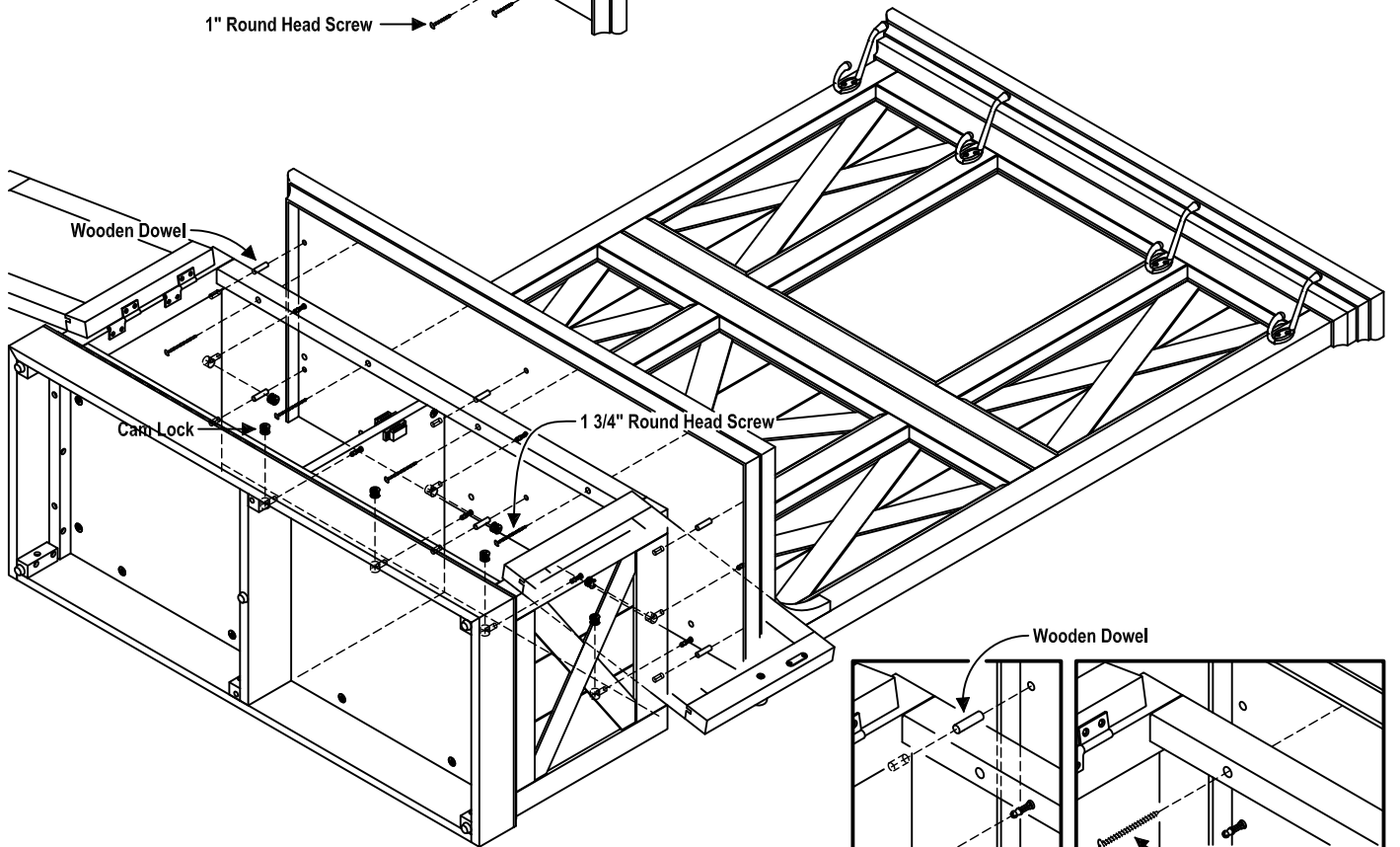
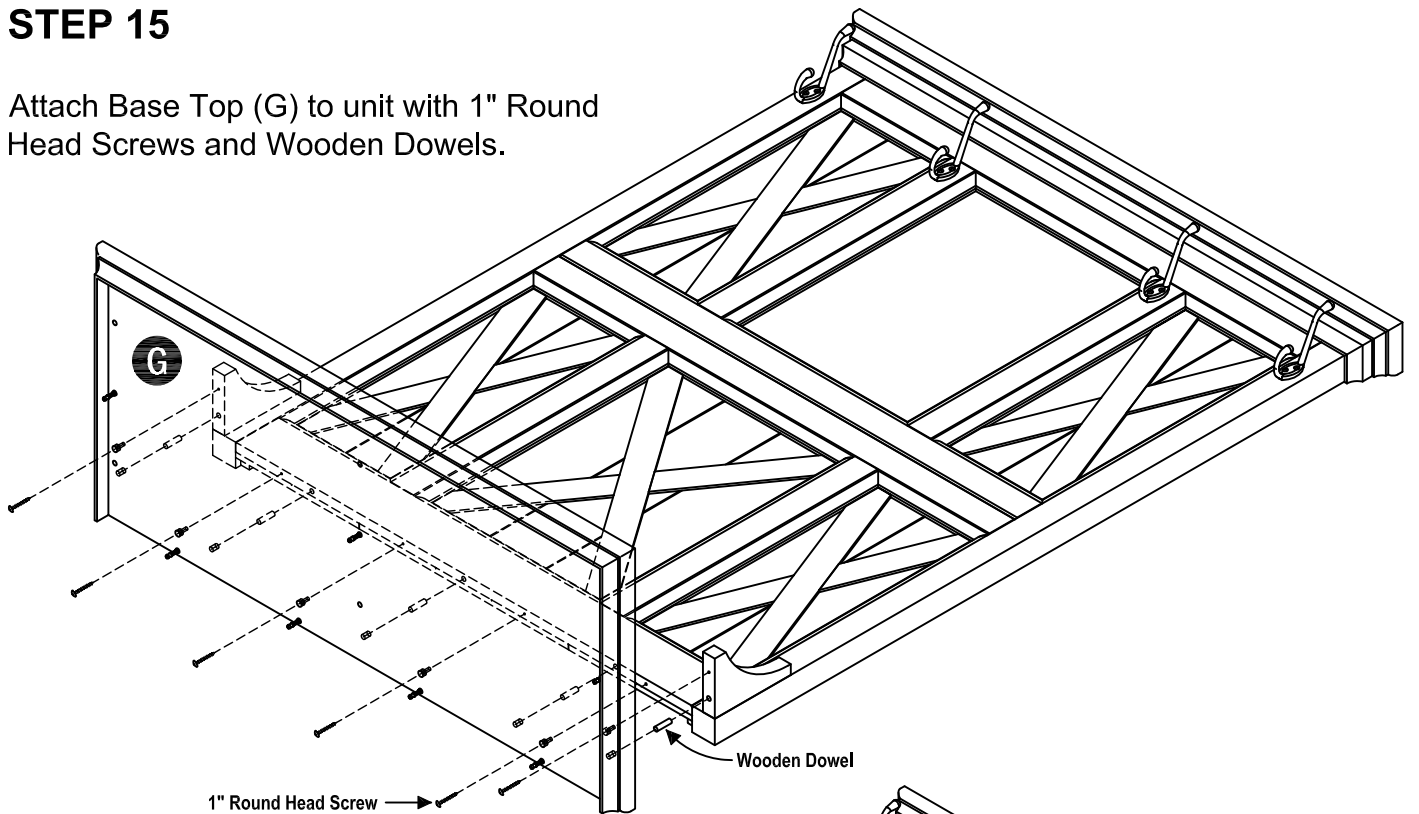


Figure 5

Attach Corner Cleat (F) to unit with 1 3/4" Round Head Screws and Wooden Dowels. (See Figure 5)

STEP 15

Attach Base Top (G) to unit with 1" Round Head Screws and Wooden Dowels.



STEP 16

Attach Unit from Step 9 to Unit from Step 15 with Cam Lock, 1 3/4" Round Head Screws and Wooden Dowels. (See Figure 6)

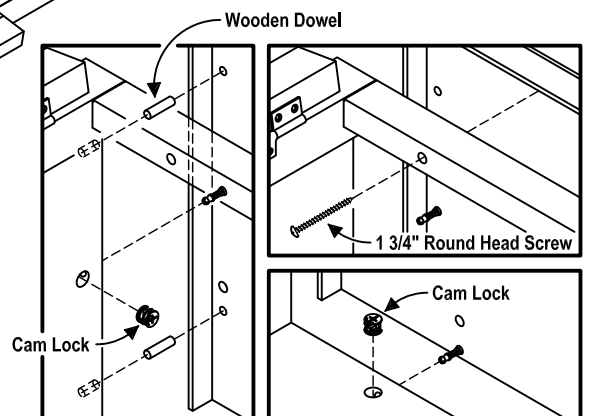
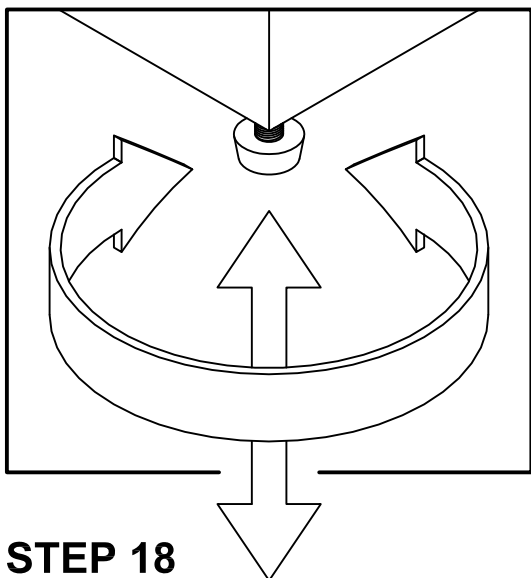
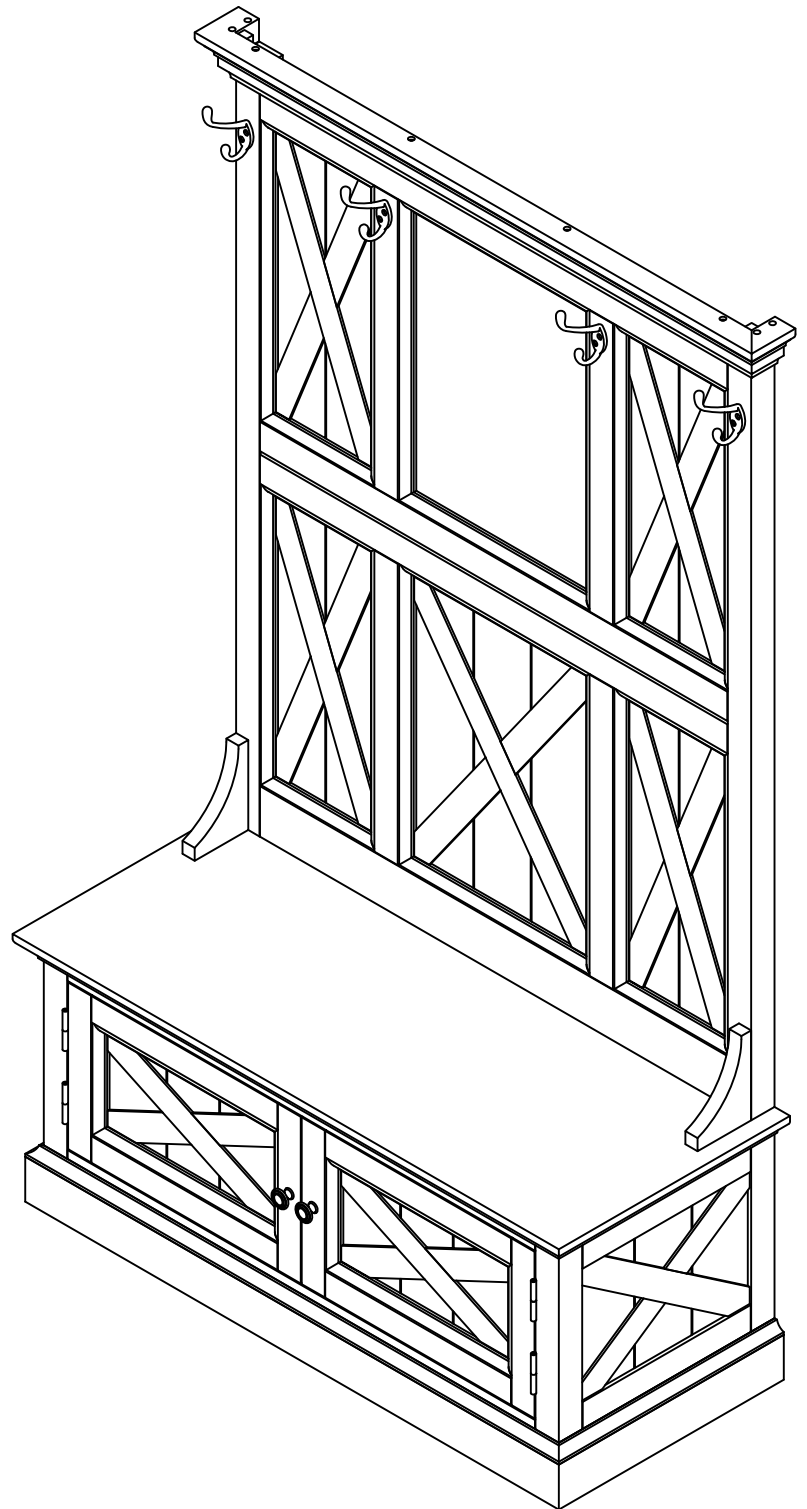


Figure 6

STEP 17

Turn the unit to its' upright position.



STEP 18

To level the unit, adjust the adjustable levelers on the bottom of the feet.

VERY IMPORTANT !!

CARE INSTRUCTIONS

NEVER

USE GLASS CLEANERS ON FINISHED FURNITURE. AMMONIA WILL CHEMICALLY ATTACK THE FINISH.

NEVER

ALLOW LIQUIDS OF ANY KIND TO REMAIN ON THE FURNITURE. ABSORPTION CAUSES PART TO WARP AND SPLIT AND FINISHES TO DELAMINATE.

DO NOT WRITE DIRECTLY ON SURFACE.



PREVENT MARKING

DO NOT PLACE IN DIRECT SUNLIGHT.



PREVENT FADING

DO NOT USE COMMERCIAL WAXES AND POLISHES.



PREVENT YELLOWING

DO NOT PLACE HOT OBJECTS ON SURFACE.



PREVENT FINISH DAMAGE

DO NOT USE RUBBER BASED PLACE MATS.



PREVENT DISCOLORING

TO CLEAN

USE A SOFT CLOTH MOISTENED IN LUKEWARM SOAP AND WATER, THEN BUFF WITH A DRY CLEAN CLOTH.



Home Styles will provide replacements free of charge for missing or damaged hardware or parts within 30 days of purchase. Digital images of the defective parts may be required. If this product was not purchased from an authorized retail affiliate, Home Styles is under no obligation to provide replacement parts. Parts are not available for fully assembled items nor are parts available for sale. Replacements for missing or damaged hardware or parts may be requested at:

www.homestyles-furniture.com/customer_service

Home Styles Consumer Assistance: www.homestyles-furniture.com,
servicedesk@homestyles-furniture.com, 888-680-7460, 877-831-0319