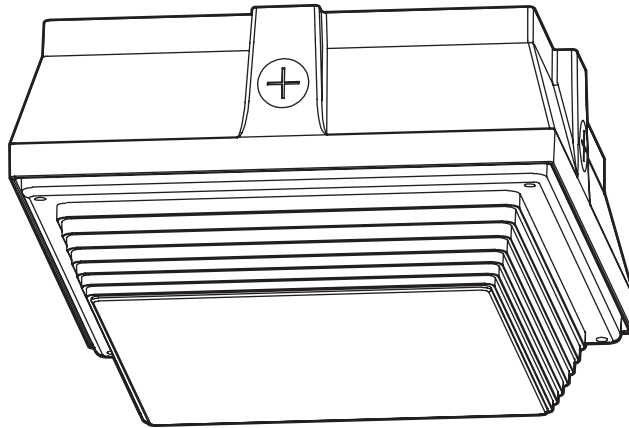


USE AND CARE GUIDE

HELIOS LED CEILING/CANOPY



Questions, problems, missing parts? Before returning to the store,
call Commercial Electric Customer Service
9 a.m. - 5 p.m., EST, Monday - Friday

1-844-548-3776

HOMEDEPOT.COM

THANK YOU

We appreciate the trust and confidence you have placed in Commercial Electric through the purchase of this LED canopy light. We strive to continually create quality products designed to enhance your home. Visit us online to see our full line of products available for your home improvement needs. Thank you for choosing Commercial Electric!

Table of Contents

Safety Information	2	Installation	5
Warranty	2	Operation.....	9
Pre-Installation.....	3	Care and Cleaning	9
Preparing for Installation.....	5	Troubleshooting	9

Safety Information

IMPORTANT


THIS PRODUCT MUST BE INSTALLED IN ACCORDANCE WITH THE APPLICABLE NATIONAL ELECTRICAL CODE AND LOCAL BUILDING CODES BY A PERSON FAMILIAR WITH THE CONSTRUCTION AND OPERATION OF THE PRODUCT AND THE HAZARDS INVOLVED.


PRECAUTIONS

- Please read and understand this entire manual before attempting to assemble, install, or operate this light fixture.
- This light fixture requires a 120–277 Volt AC power source.
- Some codes require installation by a qualified electrician.
- This light fixture must be properly grounded.
- Make sure connections are secure using wire nuts, crimp-on lugs or other approved connecting devices.
- This light fixture should be installed indoors or outdoors to a ceiling or a canopy.
- This product may contain chemicals known to be hazardous. Thoroughly wash hands after installing, handling, cleaning or otherwise touching the product.


NOTICE: For dimming, connect to a 0–10V dimming switch.

NOTICE: FCC Regulations state that any unauthorized changes or modifications to this equipment not expressly approved by the manufacturer could void the user's authorization to operate this equipment.

 **WARNING:** Before installation or servicing of the fixture, turn the power OFF at the circuit breaker or fuse. Place tape over the circuit breaker switch and verify power is off at the light fixture.

 **WARNING:** Risk of fire. Keep the lamp heads at least 3 in. (76 mm) from combustible materials.

 **CAUTION:** Burn hazard. Allow the light fixture to cool before touching.

 **IMPORTANT:** The device is tested and found to comply with Part 15 of the FCC Rules. Operation is subject to two conditions: (1) This device may not cause harmful interference and, (2) this device must accept any interference received, including any interference that may cause undesired operation.

This equipment has been tested and found to comply with the limits for a Class A digital device, pursuant to part 15 of the FCC rules. These limits are designed to provide reasonable protection against harmful interference when the equipment is operated in a commercial environment. The equipment generates, uses, and can radiate radio frequency energy and, if not installed and used in accordance with the instruction manual, may cause harmful interference to radio communications. Operation of the equipment in a residential area is likely to cause harmful interference in which case the user will be required to correct the interference at his own expense.

Warranty

This is a limited warranty offered by the manufacturer for a period of five years from the date of purchase to its customers. The manufacturer warrants to customers that the products will be free from defects in material and workmanship. The obligation of the manufacturer under this warranty is limited to the provision of replacement of products and is extended to the original purchaser of the product on presenting valid purchase receipt or other proof of date of original purchase acceptable to the manufacturer. The receipt is required for rendering the warranty performance. Any warranty claims without original proof of purchase would not be accepted.

It should be noted that the warranty does not apply to the manufacturer products that have been altered or repaired by unauthorized personnel, have been subjected to neglect, abuse, misuse or accident or damages caused during shipping. Any other products not manufactured by the manufacturer which have been supplied, installed and/or used in conjunction with the manufacturer products are not covered under this warranty. Any damages caused by replacements bulbs, LEDs or corrosion or discoloration of brass components are also not covered by this warranty.

Warranty (continued)

LIMITATION OF LIABILITY

In no event shall the manufacturer be liable for indirect, consequential, incidental or special damages, or lost profits. The manufacturer is not liable for any claims or damage arising out of or connected with the manufacture, sale, delivery, use, maintenance and repair or modification of the manufacturer products, or supply of any replacement parts that exceed the purchase price of the manufacturer products giving rise to a claim. Labor charges to remove or install the fixtures will not be accepted.

TO CLAIM

Please contact The Home Depot customer service at 1-844-548-3776 or email support@homedepot.com and include your name, address and contact number, along with a copy of the purchase receipt and a brief description of the problem.

Pre-Installation

PLANNING INSTALLATION

Before installing the light fixture, ensure that all parts are present. Compare parts with the Hardware Included and Package Contents sections. If any part is missing or damaged, do not attempt to assemble, install, or operate this light fixture.

Estimated installation time: 20 minutes

SPECIFICATIONS

Lumens (Light Output)	5300 Lumens
Watts (Power Consumption)	50 Watts LED
Replaces	150 Watt Metal Halide
Lumens/Watts (Efficacy)	106 Lumens per watt
Power Requirements (Input Voltage)	120–277VAC
Light Color (CCT)	4000 Kelvins (Bright White)
Dimmable	Dimming (0–10V dimming switch)

TOOLS REQUIRED



Phillips screwdriver



Safety goggles



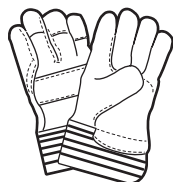
Silicone sealant



Wire strippers/
cutter



Circuit tester



Work gloves



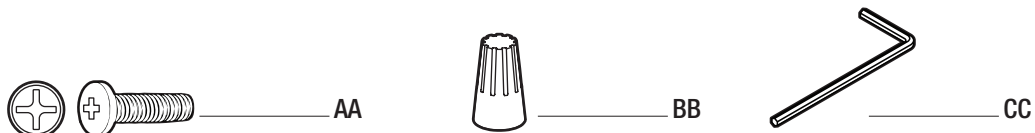
Ladder

Pre-Installation (continued)

HARDWARE INCLUDED

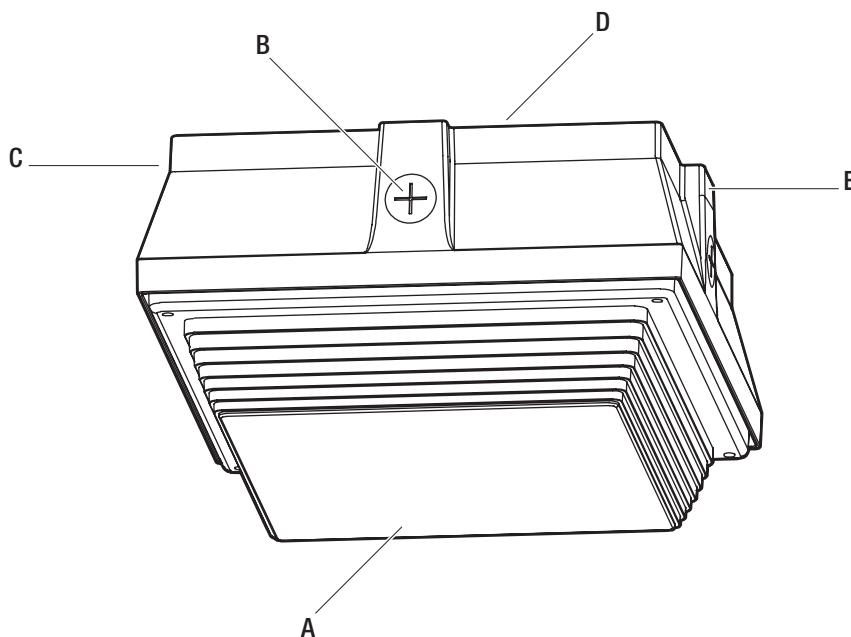


NOTE: Hardware not shown to actual size.



Part	Description	Quantity
AA	#8-32 x 3/4 in. Phillips mounting bracket screw	4
BB	Wire nut	3
CC	Allen key	1

PACKAGE CONTENTS



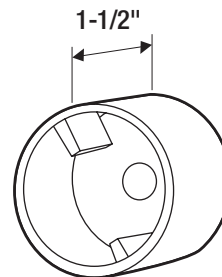
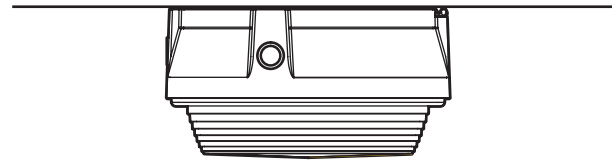
Part	Description	Quantity
A	Light fixture	1
B	Conduit entry plug	4
C	Mounting plate bolt (pre-installed)	2
D	Mounting plate with gasket (pre-installed)	1
E	Hands-free install hook	1

Preparing for Installation

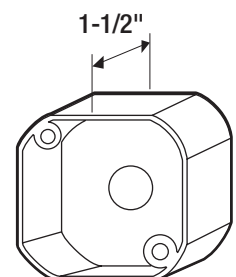
- The fixture can be mounted in the following two ways:
 - **Junction Box Mount:** Use a junction box to mount the fixture.
 - **Surface Conduit Mount:** The fixture can also be mounted directly on the wall surface using conduit entry.
- Install light 8–20 feet above the ground.
- When installing two fixtures on one switch, make sure the switch is rated for at least a 1A inductive load.



NOTE: The mounting base (D) mounts to recessed mounted standard junction boxes or to the surface directly. Junction box must be at least 1-1/2 in. in depth for proper installation for a recessed mount application.



Round

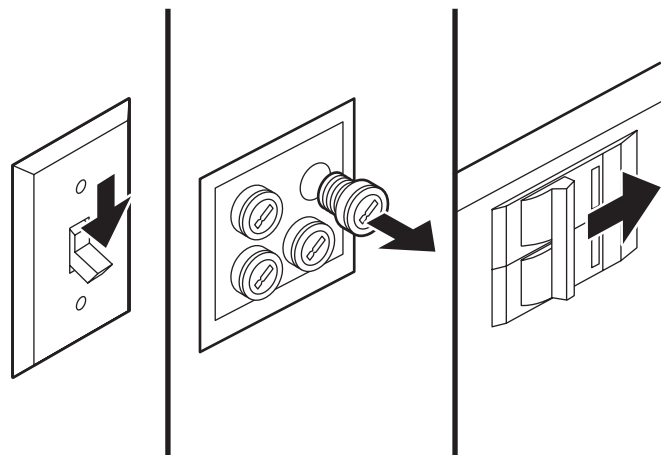


Octagonal/Square

Installation

1 Turning off the electricity

- Verify the wall switch is in the Off position.
- Turn off power at the circuit breaker that supplies power to the outlet box you are working on.
- For screw-in type fuses unscrew the fuse that supplies power to the outlet box you are working on.



Installation (continued)

2 Removing the mounting plate

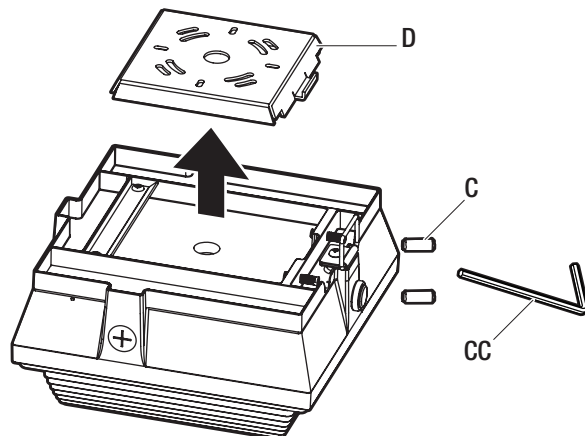


NOTE: The mounting plate (D) and mounting plate bolts (C) come pre-installed on the light fixture.

- Remove the mounting plate (D) from the back of the fixture by loosening the mounting plate bolts (C) using the allen key (CC).



IMPORTANT: Only unscrew the bolts (C) far enough to remove the mounting plate (D). Do not fully remove the tightening bolts (C).



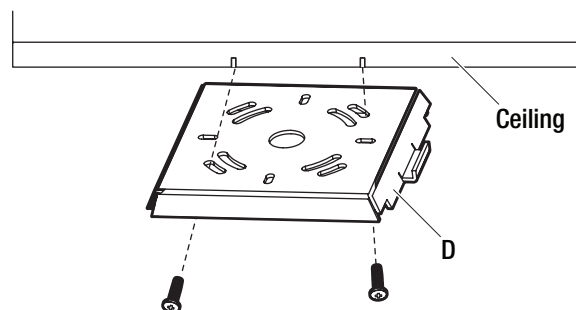
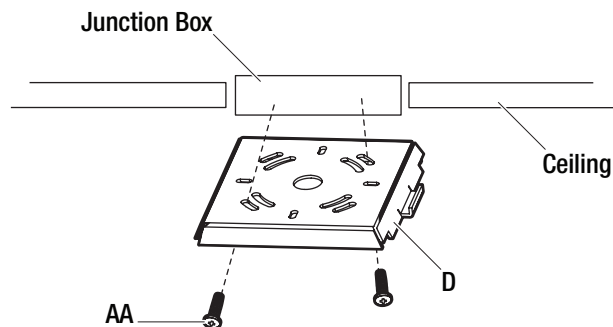
3 Installing the mounting plate

Junction Box Mount

- Route the junction box wires through the large center hole in the mounting plate (D).
- Align the holes on the mounting plate (D) with the holes on your junction box. Use two or four (best) #8 screws (AA), depending on the size of the holes in your junction box, to attach the mounting plate (D) to your junction box.

Surface Conduit Mount

- Mark and drill two or more holes on the ceiling surface as per the desired location for attaching the mounting plate (D).
- Use two or more suitable screws (not included) applicable to the mounting surface and secure the mounting plate (D) on the surface.

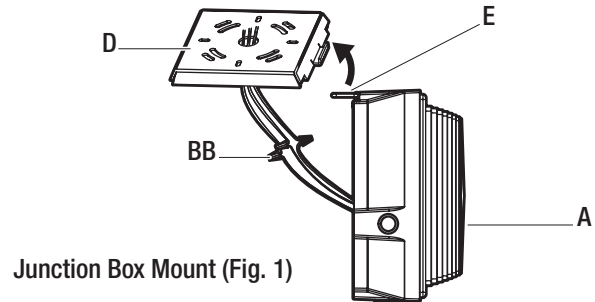


Installation (continued)

4 Making the electrical connections

Junction Box Mount

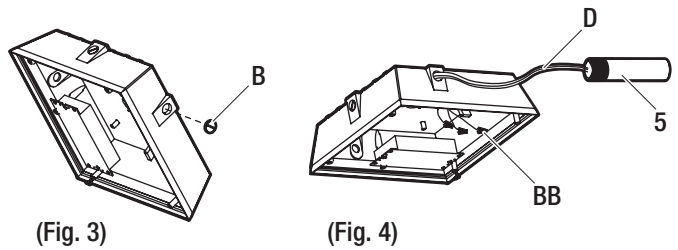
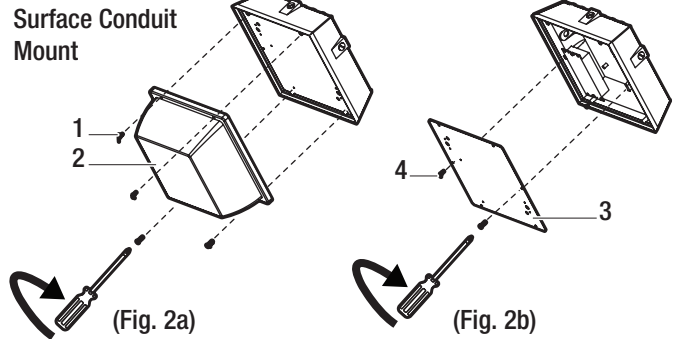
- For handsfree operation, use the hook (E) attached to the fixture to hang it on the hinge of the mounting plate (D). (Fig. 1)
- Follow the wiring instructions given below to make the electrical connections.



Junction Box Mount (Fig. 1)

Surface Conduit Mount

- Open the fixture by loosening the four screws (1) on the corners of the fixture and removing the refractor (2). (Fig. 2a)
- Remove the reflector (3) from the mounting base by removing the two screws (4) on top of the reflector. (Fig. 2b)
- Remove one conduit plug (B) from the side of the fixture from where the conduit will enter. (Fig. 3)
- Place the back plate (D) of the fixture on the mounting plate and attach the conduit (5) to the fixture (Fig 4.).
- Bring fixture's wires into the housing body to make wiring connections.
- Make wiring connections inside the fixture as per the instructions given below.



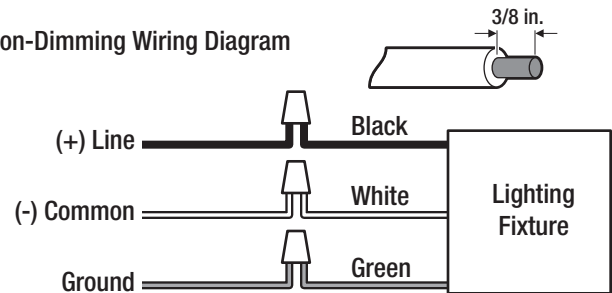
ON/OFF Wiring (Non Dimming) Method:

- Connect the fixture black wire to the house black wire ((+) line), and fixture white wire to the house white wire ((-) common) by twisting the exposed wires together and using the wire nuts (BB). Ensure there are no loose wires.
- Connect the house ground wire to the green fixture ground wire by twisting the exposed wires together and using the wire nuts (BB).

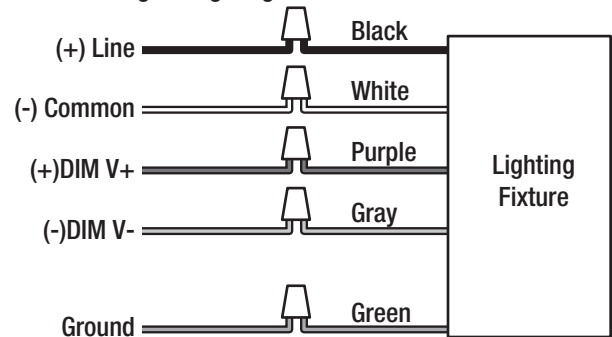
0-10V Dimmable Wiring Method:

- Connect the fixture black wire to the house black wire ((+) line), and fixture white wire to the house white wire ((-) common) by twisting the exposed wires together and using the wire nuts (BB). Ensure there are no loose wires.
- Connect the house ground wire to the green fixture ground wire by twisting the exposed wires together and using the wire nuts (BB).
- Connect the purple wire to the (V+) DIM wire and the gray wire with (V-) DIM wire by twisting the exposed wire together and using the wire nuts (BB).

Non-Dimming Wiring Diagram



0-10V Dimming Wiring Diagram



NOTE: Hold stripped ends near each other and align any frayed strands (do not twist wires). Push the wires into wire nut (BB) and use your fingers to twist the wire nut clockwise until tight. Check for tightness by pulling wires.

Installation (continued)

5 Mounting the light fixture

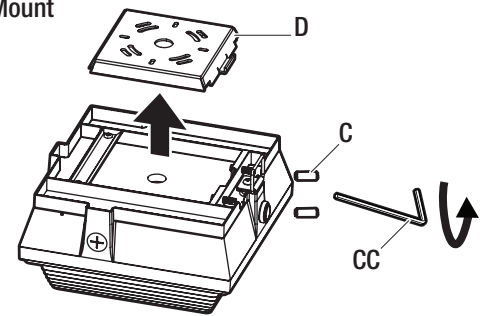
Junction Box Mount

- Place the light fixture (A) onto the mounting plate (D) so the top-sloped groove on the plate rests on the top-sloped groove on the back of the fixture.
- Tighten the mounting plate bolts (C) back through the hole on the bottom of the fixture (A) until the bolts firmly push against the mounting plate (D). (Fig. 1)

Surface Conduit Mount

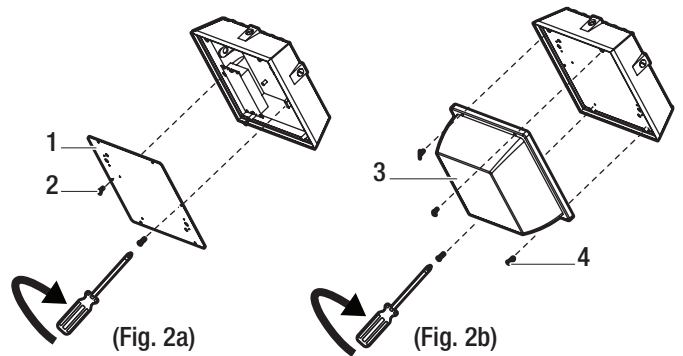
- Replace the reflector (1) on the mounting base by using the two small screws (2) removed earlier. (Fig. 2a)
- Close the fixture by replacing the refractor (3) and tightening the four screws (4) on the corners of the fixture. (Fig. 2b)

Junction Box Mount



(Fig. 1)

Surface Conduit Mount



(Fig. 2a)

(Fig. 2b)

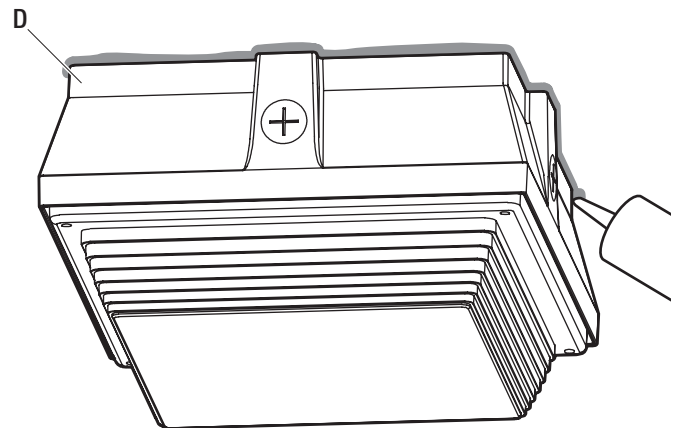
6 Caulking around the light fixture

- Caulk around the mounting plate (D) and surface with silicone sealant (not included).

NOTICE: Failure to properly caulk around the surface and mounting plate (D) could lead to water damage and is not covered under warranty.



NOTE: When attaching this fixture (A) to an external surface mount junction box, caulk the inside of the light fixture before attaching to the mounting plate (D).

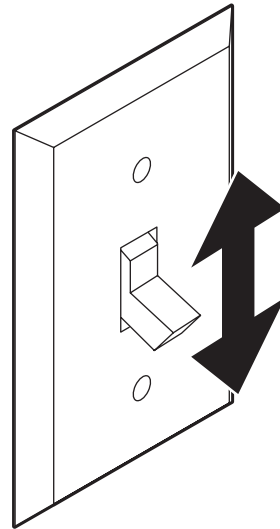


Operation

SWITCH-CONTROLLED

Switch-controlled operation enables the light fixture to turn ON and OFF by flipping a standard light switch. To add automatic dusk-to-dawn control or motion sensing, external sensors like a photo-control, motion sensor or timer is required (sold separately).

- Once the fixture is installed, turn power back on from the circuit breaker and switch.
- Flip the switch ON and OFF to ensure light functions properly.



Care and Cleaning

- Shut off the main power supply before cleaning the product. To prolong the original appearance, clean the light fixture with clear water and a soft, damp cloth only.
- Do not use abrasive cleaners or cleaners that contain alcohol. Do not apply paints, solvents, or any other chemicals on this light fixture. They could cause a premature deterioration of the finish and may void the warranty.
- Do not spray the light fixture with a hose or power washer.

Troubleshooting

If the light does not come on:

- Verify that the power is turned ON from the circuit breaker and wall switch.
- Verify the wiring for the fixture is done properly.
- Verify the line voltage is correct.

If the light flickers:

- Verify that the fixture is wired to a suitable 0–10V dimming switch or standard ON/OFF switch only.



Questions, problems, missing parts? Before returning to the store,
call Commercial Electric Customer Service
9 a.m. - 5 p.m., EST, Monday-Friday

1-844-548-3776

HOMEDEPOT.COM

Retain this manual for future use.