



## OPERATOR'S MANUAL

A Division of Snow Joe®, LLC

# 4-VOLT (MAX.) CORDLESS SCREWDRIVER

RECHARGEABLE | LED LIGHT | WITH QUICK-SWAP BIT SYSTEM

Model SJ4VSD

Form No. SJ-SJ4VSD-880E-M

## IMPORTANT!

### Safety Instructions

### All Operators Must Read These Instructions Before Use

Always follow these safety guidelines. Failure to do so may result in serious bodily injury or death.

### General Safety

**⚠️ WARNING!** When using the screwdriver basic safety precautions should always be followed to reduce the risk of fire, electric shock, and personal injury. These include:

#### Work Area Safety

1. **Keep work area clean and well-lit** – Cluttered, dark areas invite accidents.
2. **Keep children, bystanders, and pets away** – All spectators, including pets, should be kept a safe distance away from the work area.
3. **Do not operate power tools in explosive atmospheres** – Such as in the presence of flammable liquids, gases, or dust. Power tools create sparks which may ignite the dust or fumes.

#### Personal Safety

1. **Stay alert** – Watch what you are doing. Use common sense. Do not operate the screwdriver when you are tired, or under the influence of alcohol or drugs.
2. **Dress properly** – Do not wear loose clothing or jewelry. They can get caught in moving parts. Loose clothes, jewelry, or long hair can be caught in moving parts.
3. **Avoid unintentional starting** – Do not carry the screwdriver with your finger on the trigger. Make sure the switch is off before connecting the screwdriver to power source.
4. **Do not overreach** – Keep proper footing and balance at all times. Proper footing and balance enable better control of the cordless screwdriver in unexpected situations.
5. **Use personal protective equipment** – Always wear eye protection. Protective equipment such as dusk mask, non-skid safety shoes, hard hat, or hearing protection used for appropriate conditions will reduce personal injuries.

6. **Remove adjusting keys, or wrenches before turning screwdriver on** – A wrench or a key that is left attached to a rotating part of the tool may result in personal injury.
7. **If devices are provided for the connection of dust extraction and collection facilities, ensure these are connected and properly used** – Use of dust collection can reduce dust-related hazards.

#### Tool Use and Care

1. **Do not force the tool** – It will perform better with less likelihood of personal or mechanical injury if it is used at the rate for which it was designed.
2. **Do not use screwdriver if switch does not turn on or off** – The screwdriver that cannot be controlled with the switch is dangerous and must be repaired.
3. **Disconnect the plug from the power source and/or battery pack from the screwdriver before making any adjustments, changing accessories, or storing the screwdriver** – Such preventive safety measures reduce risk of starting the power tool accidentally.
4. **Store idle screwdriver out of reach of children or other untrained persons** – Screwdrivers are dangerous in the hands of untrained users.
5. **Maintain cordless screwdriver** – Check for misalignment or binding of moving parts, breakage of parts, and any other condition that may affect the screwdriver's operation. If damaged, have the screwdriver serviced before using. Many accidents are caused by poorly maintained tools.
6. **Use the screwdriver, accessories and screwdriver bits etc. in accordance with these instructions, taking into account the working conditions and the work to be performed** – Use of the screwdriver for operations different from those intended could result in a hazardous situation.
7. **Hold screwdriver by insulated gripping surfaces when performing an operation where the screwdriver may contact hidden wiring or its own cord** – Contact with a "live wire" will make exposed metal parts of the tool "live" and shock the operator.

## Battery Tool Use and Care

1. **Recharge only with the charger specified by the manufacturer** – A charger that is suitable for one type of battery pack may create a risk of fire when used with another battery pack.
2. **Charge internal battery at ambient temperatures between 50°F – 104°F (10°C – 40°C).**
3. **Under abusive conditions, liquid may be ejected from the battery; avoid contact. If contact accidentally occurs, flush with water. If liquid contacts eyes, additionally seek medical help** – Liquid ejected from the battery may cause irritation or burns.

## Service

1. **If your power tool requires service, contact an authorized Snow Joe® + Sun Joe® dealer or call the Snow Joe® + Sun Joe® customer service center at 1-866-SNOWJOE (1-866-766-9563).** Only identical replacement parts should be utilized for repairs. This will ensure that the safety of the power tool is maintained.
2. **If the battery charger cable is damaged, it must be immediately replaced to avoid a hazard.** Contact the Snow Joe® + Sun Joe® customer service center at 1-866-SNOWJOE (1-866-766-9563) for assistance.

## Safety Rules for Cordless Screwdriver

1. Make sure approved eye protection is being worn and properly adjusted and secured at all times the screwdriver is being used. There is a possibility that small pieces of metal could shear off from over-tightened screws while using the tool.
2. Keep children at a safe distance while using the cordless screwdriver. Distractions can cause inadvertent misuse resulting in possible injury to children or to the user.
3. Use only screwdriver bits that are designed for use with this screwdriver.
4. Ensure the screwdriver bits are firmly placed in the cylinder. Hold screwdriver firmly in place before activating the trigger switch.
5. Do not plug the AC charger into an outlet where it can be exposed to water. Do not lay the screwdriver in or near water while it is plugged into the AC charger. Failure to comply with this warning can result in severe electrical shock or severe burns to anyone who touches the charger or the screwdriver.
6. Use only the AC charger that came with the cordless screwdriver.
7. Do not attempt to charge the screwdriver if the power cord is broken or frayed. Always store the charger in a clean dry location until it is needed.
8. Before use, carefully check the screwdriver to determine whether it will operate and perform its intended function.

9. Check for misalignment or binding of moving parts, breakage of parts, and any other condition that may affect the screwdriver's operation. Do not use the tool if you find damaged or missing parts.
10. Do not use the screwdriver if forward + reverse selector switch does not work.
11. Never attempt any repairs yourself. It is recommended that all repair or replacement for the tool shall be performed by a qualified service technician.
12. Do not carry the screwdriver with your finger on the forward + reverse selector switch.
13. Do not abuse battery charger cord.
14. Never carry the charger by its cord or pull the cord to disconnect it from the socket.
15. Keep the cord away from heat, oil, and sharp edges.
16. Store screwdriver in locations where temperatures will not exceed 120°F (49°C). This is important to prevent serious damage to the battery cells.
17. When not in use, store the screwdriver and charger in a dry, locked or high place out of reach of children.
18. Keep handles and switches dry, clean and free from oil and grease.

## Battery Safety Warnings

This manual contains important safety and operating instructions for your battery and charger.

1. Before using the charger, thoroughly read all instructions and cautionary markings on the screwdriver.








**⚠ WARNING!** If the screwdriver housing is cracked or damaged, do not insert the charger plug into the power tool, or plug the charging adaptor into the mains outlet. There is a danger of electric shock or electrocution.

2. This charger is **ONLY** intended to charge this rechargeable battery. Any other use poses a risk of fire, electric shock or electrocution.
3. Do not place any object on top of the charger or place the charger on a soft surface that may result in excessive internal heat. Keep the charger away from any heat source.
4. To reduce the risk of damaging the electric plug and cord, pull the plug, not the cord, when disconnecting the charger from the electric outlet.
5. Make sure the battery charging cable is located in a safe place so that it will not be stepped on, tripped over or otherwise subjected to damage or stress.
6. An extension cord should not be used unless absolutely necessary. Using an improper extension cord poses a risk of fire, electric shock or electrocution.
7. Do not operate the charger if it has received a sharp blow or has become damaged in any way. Contact the Snow Joe® + Sun Joe® customer service center at 1-866-SNOWJOE (1-866-766-9563) before continuing use.

8. Do not disassemble the charger. If the charger requires service or repair, contact an authorized Snow Joe® + Sun Joe® dealer or call the Snow Joe® + Sun Joe® customer service center at 1-866-SNOWJOE (1-866-766-9563). Incorrect reassembly poses a risk of electric shock, electrocution or fire.
9. To reduce the risk of electric shock, unplug the charger from the outlet before cleaning the unit.
10. Never attempt to connect two (2) chargers together.
11. DO NOT store or use the tool and battery pack in locations where the temperature may reach or exceed 104 °F (40 °C). Dangerous storing locations include outdoor sheds or metal buildings in the summer.
12. The charger is designed to operate on standard household electrical power (120 V). Do not attempt to use it with any other voltage!  
**NOTE:** The integrated battery is not fully charged out of the carton. Read the safety instructions and then follow the charging notes and procedures.
13. The longest life and best performance can be obtained if the integrated battery is charged when the air temperature is between 64.4°F – 75.2°F (18°C – 24°C). Do not charge the battery pack when the air temperature falls below 50°F (10°C) or above 104°F (40°C). Following these safety measures will prevent damage to the battery pack.
14. Do not incinerate the integrated battery even if it is seriously damaged or completely worn out. The battery can explode in a fire.

# Safety Symbols

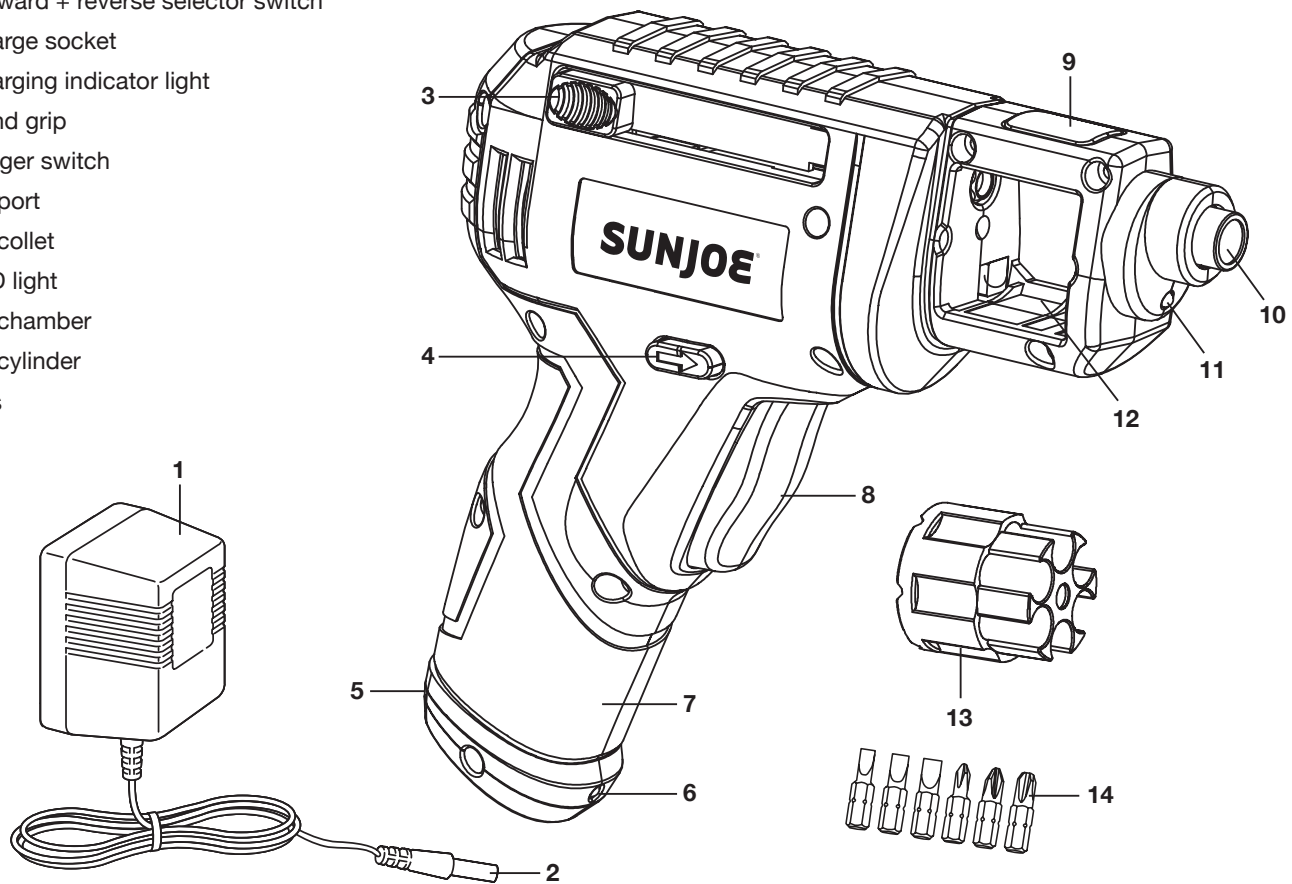
The following table depicts and describes safety symbols that may appear on this product. Read, understand, and follow all instructions on the machine before attempting to assemble and operate.

Symbols	Descriptions	Symbols	Descriptions
	<b>READ THE OPERATOR'S MANUAL(S)</b> – Read, understand, and follow all instructions in the user manual(s) before attempting to assemble and operate.		<b>SAFETY ALERT</b> – Indicates a precaution, a warning, or a danger.
	<b>WARNING!</b> Do not expose the unit to rain or wet conditions. Keep dry.		<b>WEAR EYE PROTECTION</b> – For protection against injury, wear safety goggles.
	<b>WET CONDITIONS ALERT</b> – Do not expose to rain or use in damp locations.		Indoor use only. Only use battery charger indoors.
	<b>DISPOSAL</b> – Waste produced by electrical machine items should not be handled like normal household rubbish. Please recycle where recycle facilities exist. Check with your local authority or retailer for recycling advice.		

# Know Your Cordless Screwdriver

Read the owner's manual and safety instructions carefully before operating the cordless screwdriver. Compare the illustration below to the cordless screwdriver in order to familiarize yourself with the location of the various controls and adjustments. Save this manual for future reference.

1. Battery charger
2. Charger plug
3. Loading bolts (x2)
4. Forward + reverse selector switch
5. Charge socket
6. Charging indicator light
7. Hand grip
8. Trigger switch
9. Bit port
10. Bit collet
11. LED light
12. Bit chamber
13. Bit cylinder
14. Bits



## Technical Data

Charger Input	100 – 240 V AC, 50/60 Hz, 8 W	No Load Speed	200 rpm
Charger Output	6 V DC --- 600 mA	Torque	26.5 in-lbs
Charging Time	3 – 5 hours	Bit Size	1/4 in. (6.35 mm)
Battery Voltage*	4 V D.C.	Bit Cylinder	6 bits
Battery Capacity	2.0 Ah	Selector Settings	Forward + reverse
Battery Type	Lithium-iON	Weight	1.4 lbs (0.6 kg)
Working Time	1 hour		

*\*Initial no-load voltage, when fully charged, peaks at 4.2 volts; nominal voltage under typical load is 3.6 volts.*

# Unpacking

## Carton Contents

- Cordless screwdriver
- Bit cylinder (pre-loaded)
- 6 bits (pre-loaded)
- Battery charger
- Manual with registration card

1. Carefully remove the cordless screwdriver and check to see that all of the above items are supplied.
2. Inspect the product carefully to make sure no breakage or damage occurred during shipping. If you find damaged or missing parts, DO NOT return the unit to the store. Please call the Snow Joe® + Sun Joe® customer service center at 1-866-SNOWJOE (1-866-766-9563).

**NOTE:** Do not discard the shipping carton and packaging material until you are ready to use your new cordless screwdriver. The packaging is made of recyclable materials. Properly dispose of these materials in accordance with local regulations.

**IMPORTANT!** The equipment and packaging material are not toys. Do not let children play with plastic bags, foils, or small parts. These items can be swallowed and pose a suffocation risk!

## Before Using

**⚠ WARNING!** Before first use, the battery requires at least 5 hours charge time to be fully charged. Recharge for 3-5 hours again before resuming operation.

**NOTE:** The charge level indicator LED light will illuminate red when the charger is plugged in and is charging the screwdriver. When the battery is fully charged, the charging process stops and the charging indicator light will automatically turn OFF.

## Charging Procedure

**⚠ WARNING!** The battery charger supplied matches the lithium-iON battery installed in the tool. Do not use other battery chargers.

To reduce the risk of electric shock, do not allow water to flow into the charger's AC/DC plug.

**⚠ WARNING!** Continued and excessive overuse of the ON/OFF trigger switch can permanently damage the lithium-iON battery.

The charging process starts as soon as the charger is plugged into both the proper electrical outlet and the tool.

- During the charging procedure, the handle of the tool will feel slightly warm to the touch. This is normal.
- When no further use is planned for an extended period of time, disconnect the battery charger from the outlet and the unit.
- Do not use the tool during the charging procedure.

## Battery Charging

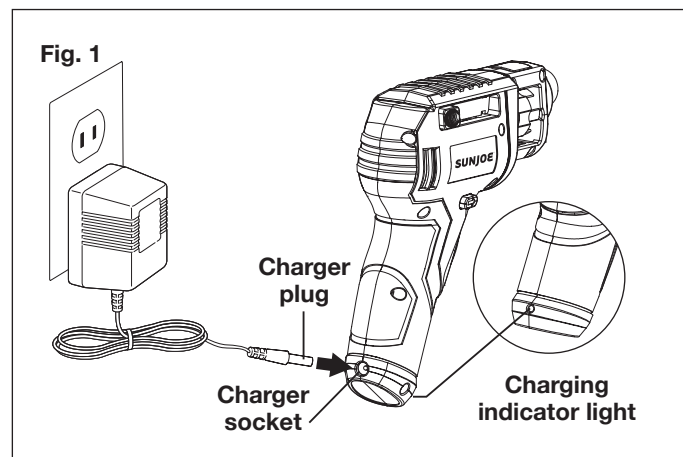
The length of service between each charging varies depending on the type of work you are doing. The battery in this screwdriver has been designed to provide maximum trouble-free life. However, like all batteries, it will eventually wear out. To obtain the longest possible battery life, we suggest the following:

- Store and charge your screwdriver in a cool area. Temperatures above or below normal room temperature will shorten battery life.
- Never store the screwdriver with the battery in a discharged condition. Recharge the unit immediately after it is discharged.
- All batteries gradually lose their charge. The higher the temperature is, the faster they lose their charge. If you store your screwdriver for long periods of time without using it, recharge the battery every 6 months. This will extend battery life.

**NOTE:** The screwdriver has been shipped in a low charge condition and should be fully charged before use.

1. Plug the charger adaptor into an appropriate AC power outlet. Connect the AC adaptor charger plug into the charging socket of the screwdriver (Fig. 1).

**NOTE:** The charge level indicator LED light will illuminate red when the charger is plugged in and is charging the screwdriver.



2. The battery will take approximately 3 hours to charge. Charging may take up to 5 hours due to the level of charge left in the battery and the ambient temperature.

**NOTE:** When the battery is fully charged, the charging process stops and the charging indicator light will automatically turn OFF.

## Assembly

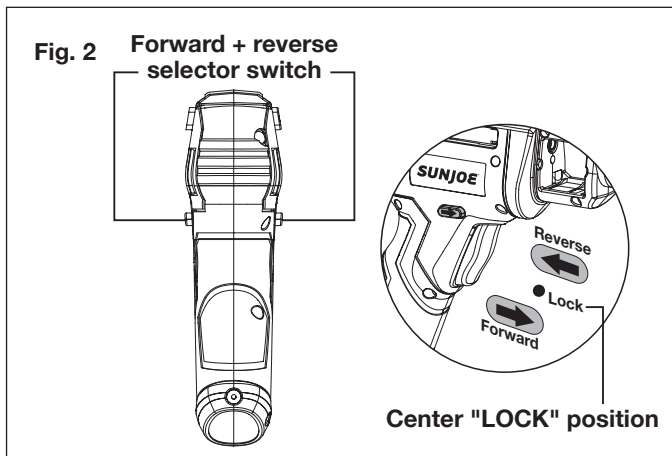
- Before inserting the bit cylinder, make sure the forward + reverse selector switch is in the center "LOCK" position to prevent accidental starts that may result in injury.
- When removing the bit cylinder from the tool, avoid contact with skin and use proper protection gloves when grasping the bit. Bits may be hot after prolonged use.

**NOTE:** To install or remove the bit cylinder, loading bolts must be pulled to the back and locked into place.

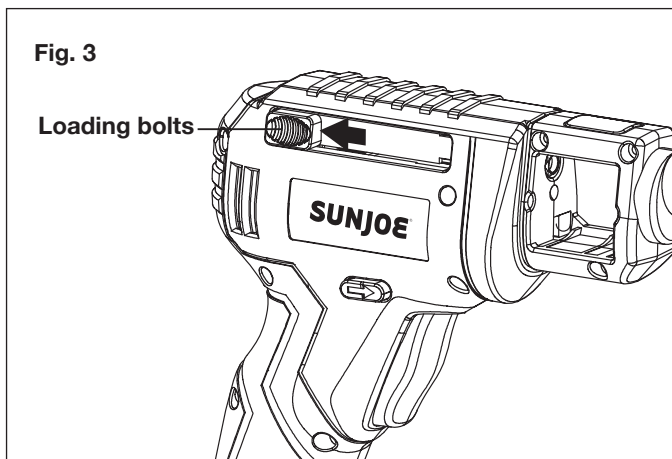
Bit cylinder can only be installed or removed from the right side of the screwdriver.

### Installing Screwdriver Bit Cylinder

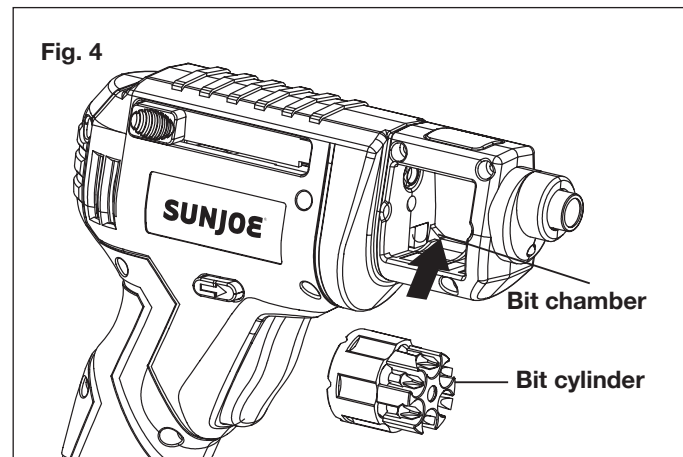
1. Position the forward + reverse selector switch to the center "LOCK" position (Fig. 2).



2. Press and slide the loading bolts on both sides to the back then release the loading bolts to lock into place (Fig. 3).

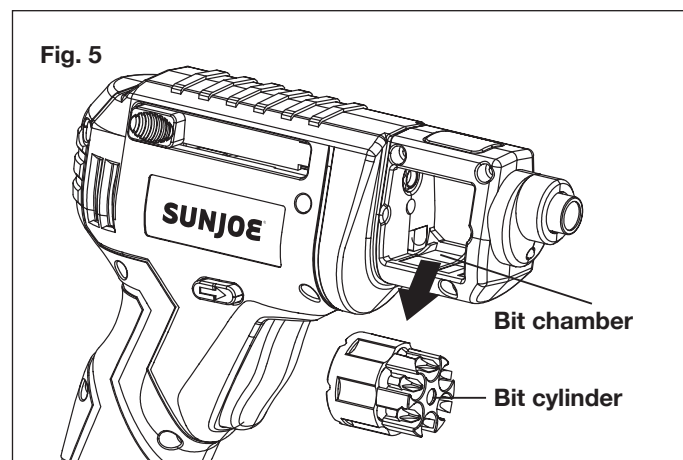


3. Position the bit cylinder with bits facing forward and press it into the bit chamber opening from the right side (Fig. 4).



### Removing Screwdriver Bit Cylinder

1. Position the forward + reverse selector switch to the center "LOCK" position (Fig. 2).
2. Press and slide the loading bolts on both sides to the back then release the loading bolts to lock into place (Fig. 3).
3. Push the bit cylinder from the left side to the right side and remove it from the chamber (Fig. 5).

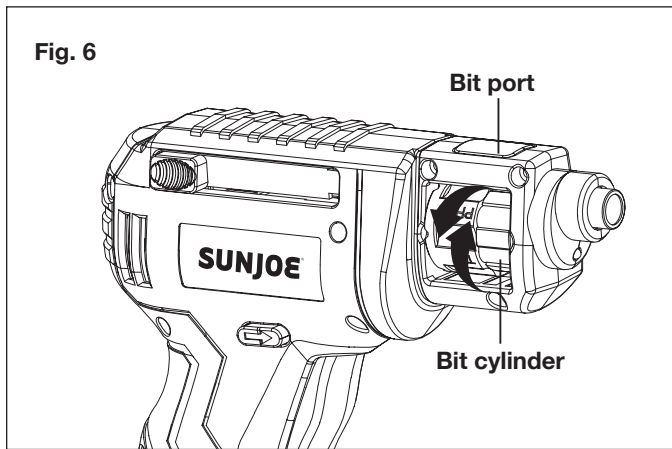


# Operation

## Loading + Unloading Screwdriver Bits

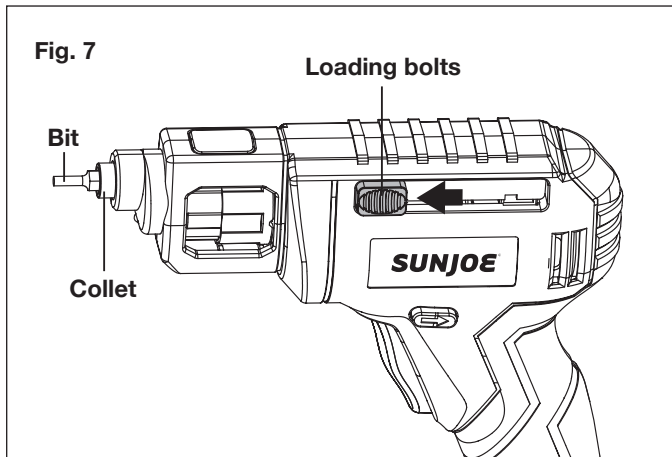
1. Position the forward + reverse selector switch to the center “LOCK” position (Fig. 2).
2. Press and slide the loading bolts on both sides to the back then release the loading bolts to lock into place (Fig. 3).
3. By rotating the bit cylinder in the chamber, select the driving bit best suited for the job and place it to the top. You can view the selected bit through the bit port (Fig. 6).

**NOTE:** For the cylinder to rotate, slide the loading bolts to the back and lock into place.



4. Press and slide the loading bolts on both sides forward to load the selected bit into the collet (Fig. 7).

**NOTE:** The loading bolts will not advance if the cylinder is not properly seated in the top position.



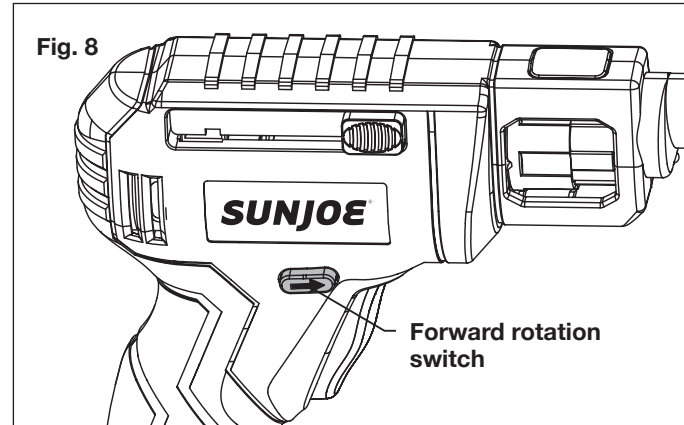
5. Sliding the loading bolts back will draw the bit back into the bit cylinder.

## Selecting the Direction of Rotation

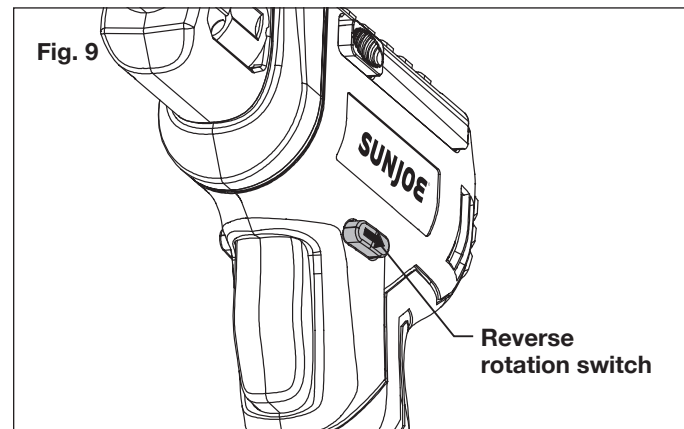
**⚠ WARNING!** Be sure the trigger switch is released when changing the position of the forward + reverse selector switch. Always store the tool in the locked/off position.

**NOTE:** Always check the direction of the cordless screwdriver rotation before use.

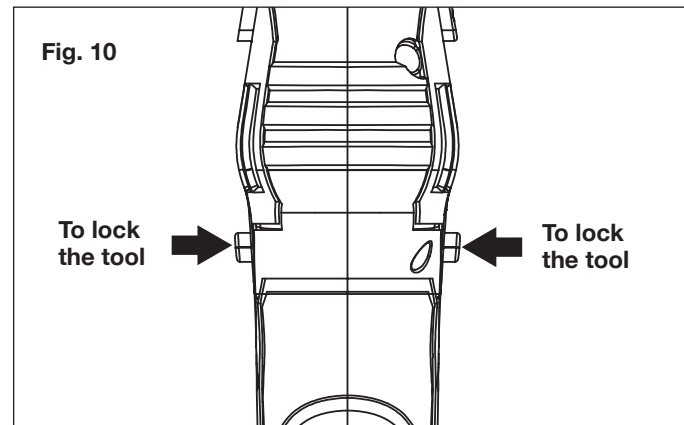
1. To select forward rotation, press the forward selector switch from right to left flat against the cordless screwdriver (Fig. 8).



2. To select reverse rotation, press the reverse selector switch in the opposite direction (Fig. 9).



3. The center position locks the tool (Fig. 10).

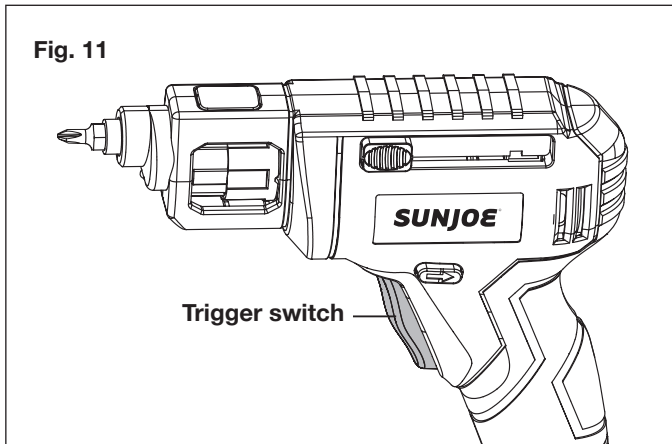




## Starting + Stopping

**⚠️WARNING!** Be sure the trigger switch is released when changing the position of the forward + reverse selector switch. Always store the tool in the locked/off position.

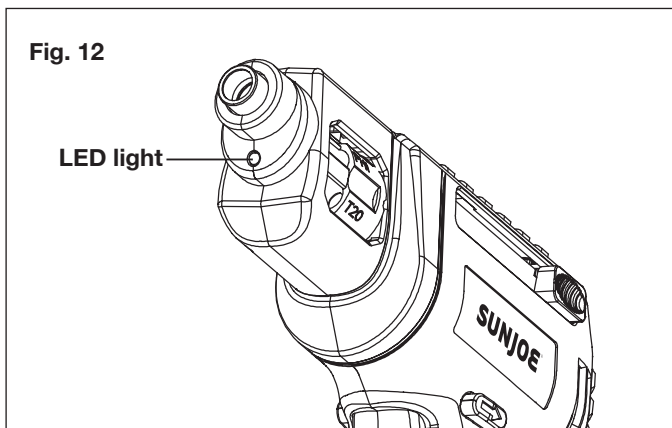
1. To start the cordless screwdriver, press the trigger switch (Fig. 11).



2. Release the trigger switch to stop (Fig. 11).

## LED Light

The cordless screwdriver is equipped with an LED light below the bit collet to provide additional lighting for operation in low light conditions. The LED light will turn on when the trigger switch is pressed (Fig. 12).



## Cleaning + Maintenance

**⚠️WARNING!** To avoid accidents, always disconnect the tool and/or charger from the power supply before cleaning. The tool may be cleaned most effectively with compressed air. Always wear safety goggles when cleaning tools with compressed air.

Ventilation openings, trigger switch and loading bolts must be kept clean and free of foreign matter. Do not attempt to clean by inserting pointed objects through opening.


**⚠️CAUTION!** Certain cleaning agents and solvents damage plastic parts. Some of these are: gasoline, carbon tetrachloride, chlorinated cleaning solvents, ammonia and household detergents that contain ammonia.

**⚠️WARNING!** No user serviceable parts inside. Preventive maintenance performed by unauthorized personnel may result in misplacing of internal wires and components which could cause serious hazard.

## Battery Caution + Disposal

### Disposal

Should your appliance need replacement after extended use, do not dispose of it with the household refuse, but in an environmentally safe way.

 Waste produced by electrical machine items should not be handled like normal household rubbish. Please recycle where recycle facilities exist. Check with your local authority or retailer for recycling advice.

Always dispose of your battery pack according to federal, state, and local regulations. Contact a recycling agency in your area for recycling locations.

**⚠️CAUTION!** Even discharged battery packs contain some energy. Before disposing, use electrical tape to cover the terminals to prevent the battery pack from shorting, which could cause a fire or explosion.

**⚠️WARNING!** To reduce the risk of injury or explosion, never burn or incinerate a battery pack even if it is damaged, dead, or completely discharged. When burned, toxic fumes and materials are emitted into the surrounding atmosphere.

1. Batteries vary according to device. Consult your manual for specific information.
2. Install only new batteries of the same type in your product (where applicable).
3. Failure to insert batteries in the correct polarity, as indicated in the battery compartment or manual, may shorten the life of the batteries or cause batteries to leak.
4. Do not mix old and new batteries.
5. Do not mix Alkaline, Standard (Carbon-Zinc), or Rechargeable (Nickel Cadmium, Nickel Metal Hydride, or Lithium-Ion) batteries.





## SNOW JOE® + SUN JOE® CUSTOMER PROMISE

**ABOVE ALL ELSE,** Snow Joe® + Sun Joe® are dedicated to you, our customer. We strive to make your experience as pleasant as possible. Unfortunately, there are times when a product does not work or breaks under normal operating conditions. We think it's important that you know what you can expect from us. That's why we created the Snow Joe® + Sun Joe® promise.

**OUR PROMISE:** Snow Joe® + Sun Joe® warrant new products for two years from the date of purchase. If your product does not work, or there's an issue with a specific part, we will fix this by either sending you a free replacement part or by sending you a new or comparable product at no charge. How cool is that! Before you know it, you'll be back in action cutting, sawing, mowing, washing and...?

---

### PRODUCT REGISTRATION:

Snow Joe®, LLC ("Snow Joe® + Sun Joe®") strongly encourages you to register your purchase. You can register online at [snowjoe.com/ProductRegistration](http://snowjoe.com/ProductRegistration), or by printing and mailing in a registration card available online from our website, or calling our Customer Service Department at **1-866-SNOWJOE (1-866-766-9563)**, or by e-mailing us at [help@snowjoe.com](mailto:help@snowjoe.com). Failure to register your product purchase will not diminish your warranty rights. However, registering your purchase will allow Snow Joe® + Sun Joe® to better serve you with any of your customer service needs.

### WHO CAN SEEK WARRANTY COVERAGE?

This Warranty is extended by Snow Joe® + Sun Joe® to the owner of this Machine (a "Machine" consists of a product powered by a motor) for residential and personal household use only. This Warranty does not apply to products used for commercial, rental or re-sale purposes. Should ownership of this machine change during the 2-year period, please update the Machine's owner information at [snowjoe.com/ProductRegistration](http://snowjoe.com/ProductRegistration).

### WHAT IS COVERED?

Snow Joe® + Sun Joe® warrants to the owner that if this Machine fails within 2 years from the date of purchase due to a defect in material or workmanship or as a result of normal wear and tear from ordinary household use, Snow Joe® + Sun Joe® will send a replacement part or product, as needed, free of charge and with free shipping to the original purchaser.

If, in Snow Joe® + Sun Joe®'s sole discretion, the failed Machine cannot be repaired with a part, Snow Joe® + Sun Joe® will elect to either (A) send a new Machine at no charge and with free shipping or (B) refund the full purchase price to the owner.

### WHAT IS NOT COVERED?

This Warranty does not apply to the Machines that have been used commercially or in non-household applications. This Warranty does not cover cosmetic changes that do not affect performance. This Warranty is only valid if the Machine is used and maintained in accordance with the instructions, warnings and safeguards contained in the owner's manual. Snow Joe® + Sun Joe® will not be responsible for the cost of any unauthorized warranty repairs. This warranty does not cover any cost or expense incurred by the purchaser in providing substitute equipment or service during reasonable periods of malfunction or non-use of this product while waiting for a replacement part or unit under this warranty.

Wearing parts like belts, augers, chains and tines are not covered under this warranty, and can be purchased at [snowjoe.com](http://snowjoe.com) or by calling **1-866-SNOWJOE (1-866-766-9563)**. Batteries are covered in full for 90-days from the date of purchase.

Repair, replacement or refund of the purchase price are the exclusive remedies of purchaser and the sole liability of Snow Joe® + Sun Joe® under this warranty. No employee or representative of Snow Joe® + Sun Joe® is authorized to make any additional warranty or any modification to this warranty which may be binding upon Snow Joe® + Sun Joe®. Accordingly, purchaser should not rely upon any additional statements made by any employee or representative of Snow Joe® + Sun Joe®. In no event, whether based on contract, indemnity, warranty, tort (including negligence), strict liability or otherwise, shall Snow Joe® + Sun Joe® be liable for any special, indirect, incidental, or consequential damages, including, without limitation, loss of profit or revenue.

Some states do not allow limits on warranties. In such states, the above limitations may not apply to you.

Outside the USA, other warranties may apply.



**snowjoe.com**

**⚠️WARNING!** This product or its power cord contains chemicals, including lead, known to the State of California to cause cancer and birth defects or other reproductive harm. Wash hands after handling. For more information go to [www.P65Warnings.ca.gov](http://www.P65Warnings.ca.gov).

**⚠️WARNING!** Some dust created by power sanding, sawing, grinding, drilling, and other construction activities contains chemicals known [to the State of California] to cause cancer, birth defects, or other reproductive harm. Some examples of these chemicals are:

- lead from lead-based paints,
- crystalline silica from bricks and cement and other masonry products, and
- arsenic and chromium from chemically-treated lumber.

Your risk from these exposures varies, depending on how often you do this type of work. To reduce your exposure to these chemicals: work in a well ventilated area, and work with approved safety equipment, such as those dust masks that are specifically designed to filter out microscopic particles. For more information go to [www.P65Warnings.ca.gov](http://www.P65Warnings.ca.gov).