



# Use and Care Guide

## 1.25 in. and 1.5 in. ABS In-Line Sump Pump Check Valve

Item # 1001091718  
Model # THD1020

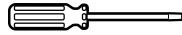
**EVERBILT**



### TOOLS REQUIRED

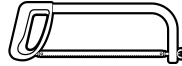
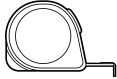


Safety Goggles



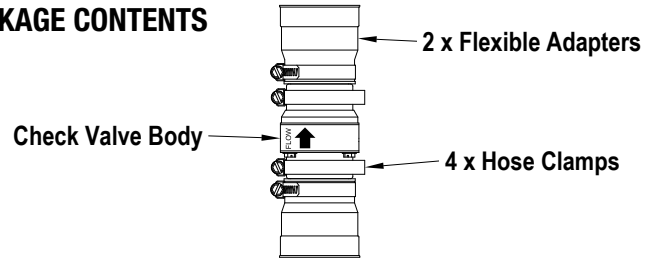
Flathead Screwdriver

Tape Measure



Hacksaw or PVC Cutter

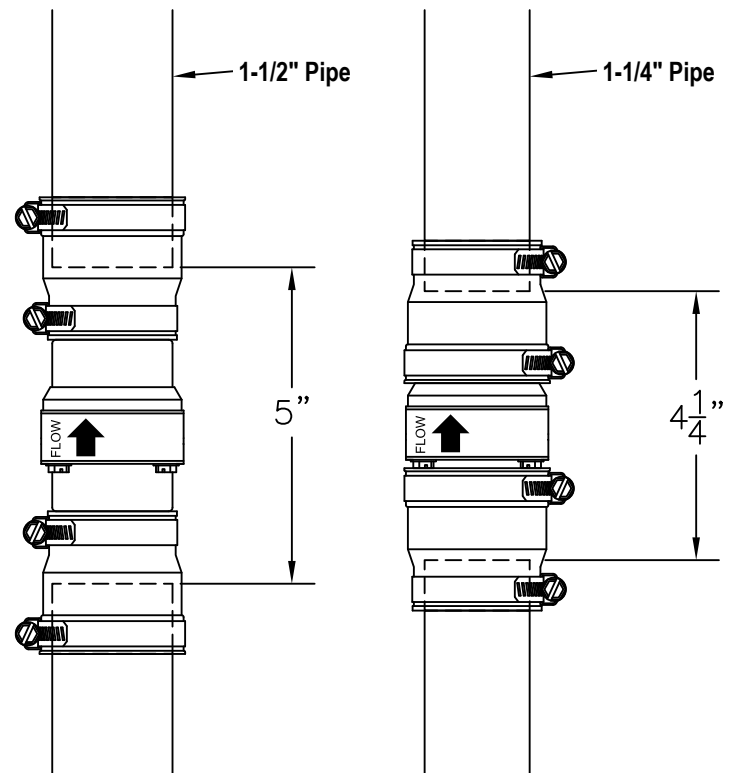
### PACKAGE CONTENTS



## Installation

*NOTE: For use with residential sump pumps only. Maximum 12 PSI.*

1. Unplug your pump.
2. Disconnect the discharge pipe from your pump below your existing check valve.
3. Drain the discharge pipe above the check valve into your basin or a bucket and remove the old check valve.
4. Loosen all four clamps on your new check valve.
5. For 1-1/2" discharge piping, ensure the space between the two pipe ends is 5". For 1-1/4" piping, the space should be 4-1/4" and the adapters must be inverted.
6. Install your new check valve, with the flow arrow pointing away from the pump, by inserting the two pipe ends into the flexible adapters. The flow arrow should be on top for horizontal installations.
7. Position the check valve assembly as shown, and tighten clamps. **Do not exceed 15 in-lbs. Do not overtighten.**
8. Plug in your pump. Cycle your system a few times and check for leaks. Retighten any clamps if necessary. **Do not exceed 15 in-lbs. Do not overtighten.**



## Safety Information



**WARNING:** Always disconnect power to your pump and release system pressure before servicing.

## Warranty

This product is warranted to the original consumer purchaser to be free from defects in material and workmanship for a period of one year from the date of purchase. For additional details and questions, please contact Everbilt Customer Service at 1-877-297-6069.

**EVERBILT**

HOMEDEPOT.com

Please contact 1-877-297-6069 for further assistance.