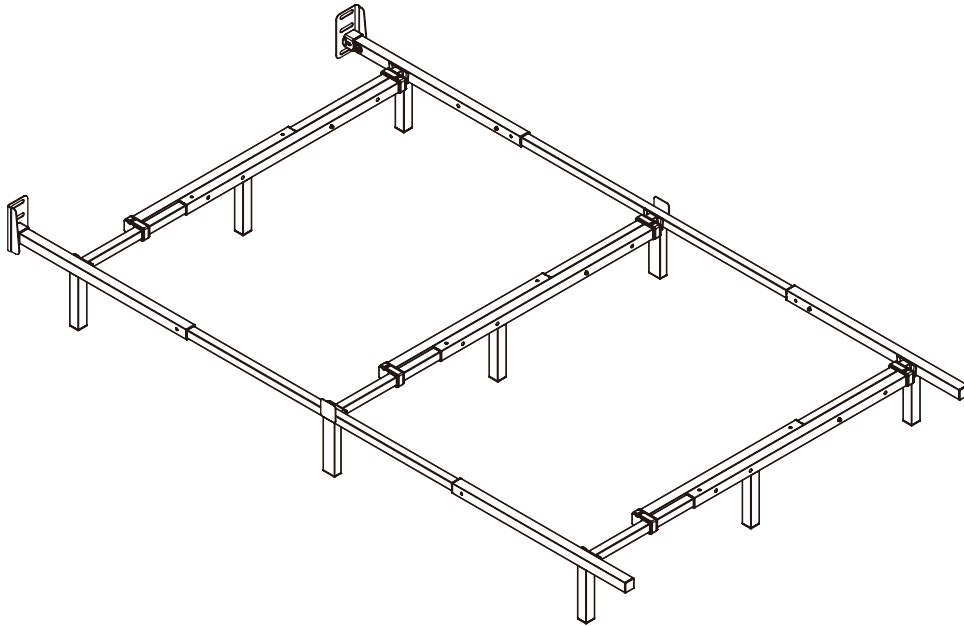


Adjustable Bed Frame

Item # 1004028191
Model # THD-ADSTBF-T-CK

USE AND CARE GUIDE

ADJUSTABLE BED FRAME FOR ALL SIZE



Questions, problems, missing parts? Before returning
to the store, Customer Service.

8 a.m. – 7 p.m., EST, Monday – Friday, 9 a.m. – 6 p.m.,
EST, Saturday

1-877-527-0313

HOMEDEPOT.COM

THANK YOU

We appreciate the trust and confidence you have placed in Home Depot through the purchase of this Adjustable Bed Frame. We strive to continually create quality products designed to enhance your home. Visit us online to see our full line of products available for your home improvement needs. Thank you for choosing Home Depot !

Table of Contents

Table of Contents.....	2
Safety Information.....	2
Warranty.....	2
What is Covered.....	2
What is Not Covered.....	2
Pre-Assembly	2
Planning Assembly	2
Package Contents.....	3
Assembly	4
Maintenance	6
Care and Cleaning	6

Safety Information

Remark

1. Keep small parts away from children during assembly
2. Read and follow instructions carefully



Warning: Any assembly of the product must be carried out by adults only.



Warning: Check all bolts periodically for tightness to avoid collapse. When required, tighten them.



Warning: The Maximum recommended loading weight capacity is 1200 lbs each and it may not be exceeded. Exceeding the loading capacity may result in collapse and possible injury.

Warranty

1 YEARS WARRANTY

WHAT IS COVERED

This warranty is your sole remedy for product defects only. The defects include circumstances where the frame has broken under normal use and no longer performs its function.

WHAT IS NOT COVERED

It does not cover damage due to mishandling, misuse or abuse. We are not responsible for incidental or consequential damages.

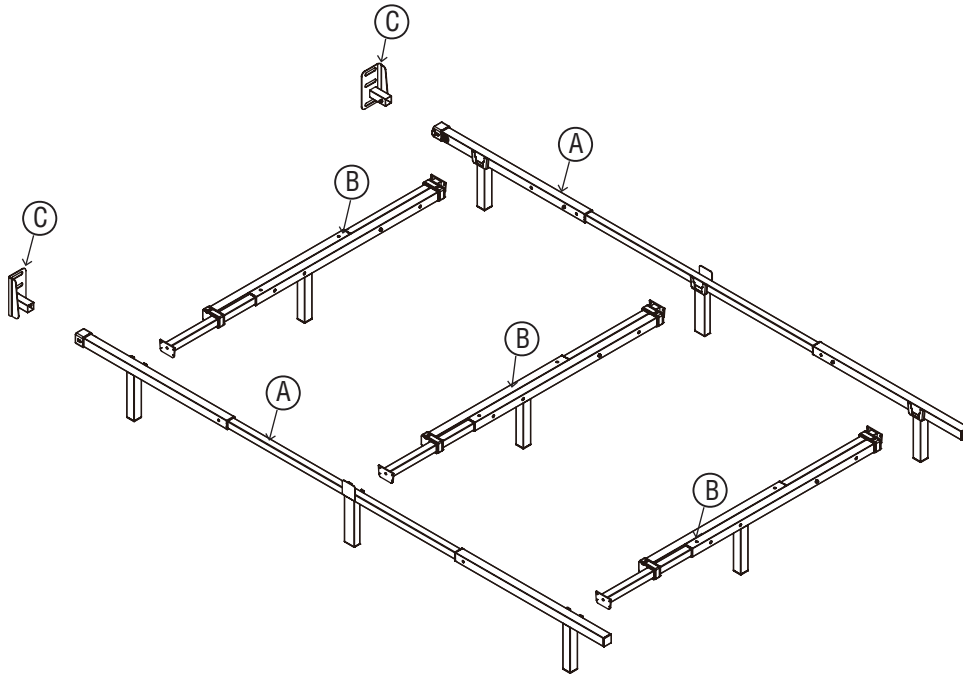
Pre-Assembly

PLANNING INSTALLATION

Keep children and pets away from build area, make sure your area is large enough to unpack, sort and assemble the unit.

Pre-Assembly (cont.)

PACKAGE CONTENTS

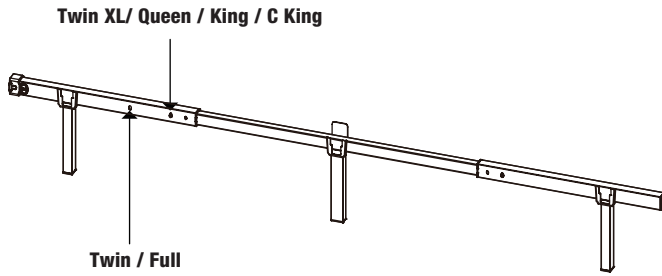


Part	Description	Quantity
A	adjustable side leg	2
B	adjustable leg	3
C	headboard bracket	2

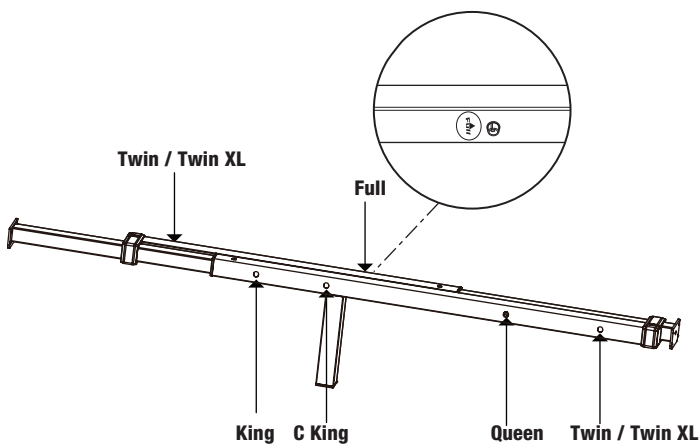
Assembly

1 Adjust the size you want

- Push the bullet of adjustable side leg(A) and pull to adjust size.

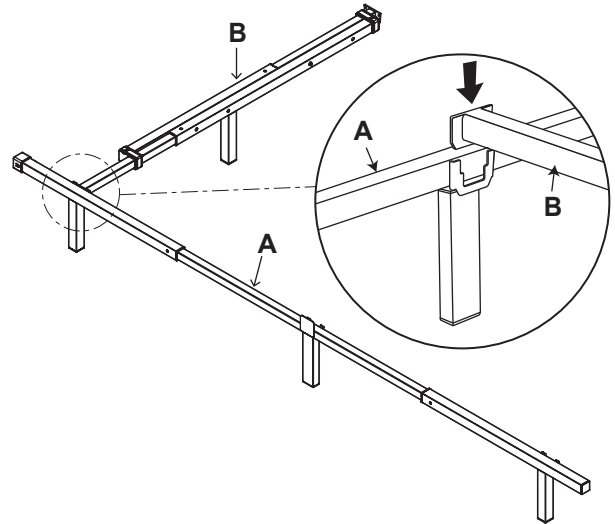


- Push the bullet of adjustable leg (B) and pull to adjust size.

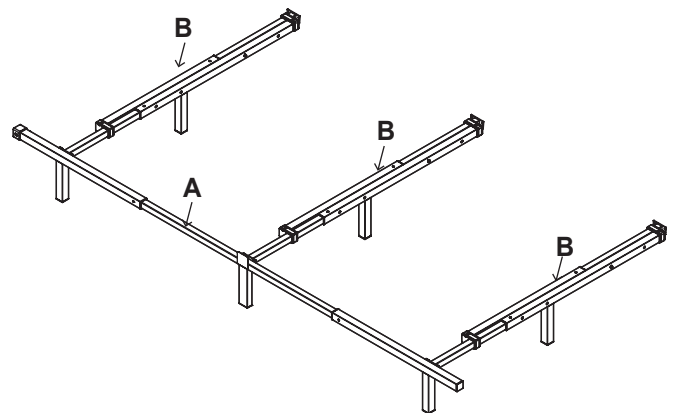


2 Joint adjustable legs

- Insert adjustable leg (B) to adjustable side leg (A).

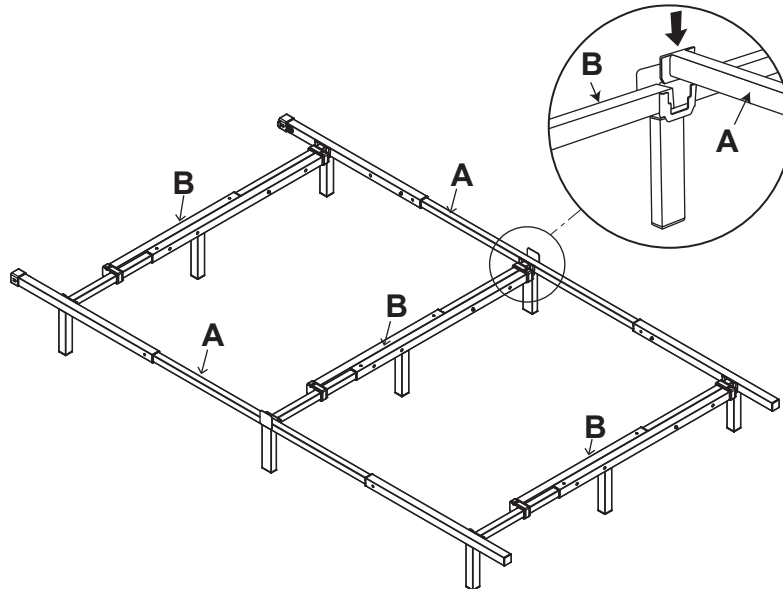


- Insert another two adjustable leg (B) to the adjustable side leg (A).



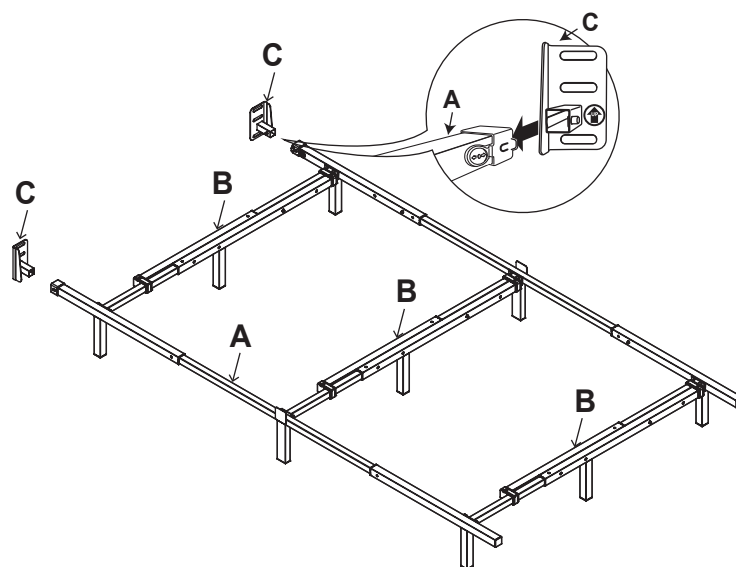
Assembly

- Insert adjustable leg (B) to another adjustable side leg (A).



3 Joint the headboard bracket

- Joint the headboard bracket (C) to adjustable side leg (A) as below.



Maintenance

- **Keep the product away from direct heat and sunlight.**
- **Prolonged exposure to heat sources may cause scorching, or even cause color to fade.**
- **Regular vacuuming or light brushing helps to remove dirt and prevent soil build-up, which increases the appearance wear.**

Care and Cleaning

- **Vacuum your product regularly. Small dust particles are very abrasive and can wear furniture prematurely.**
- **Never use harsh chemicals or solvents on your product as this may damage the metal.**
- **Marks and stains from pens, crayons and ink markers are difficult to remove. In the event that your product becomes permanently stained, we recommend that you consult a professional.**

**Questions, problems, missing parts?
Before returning to the store, call Customer Service.
8 a.m. – 7 p.m., EST, Monday – Friday, 9 a.m. – 6 p.m., EST, Saturday**

**1-877-527-0313
HOMEDEPOT.COM**

Retain this manual for future