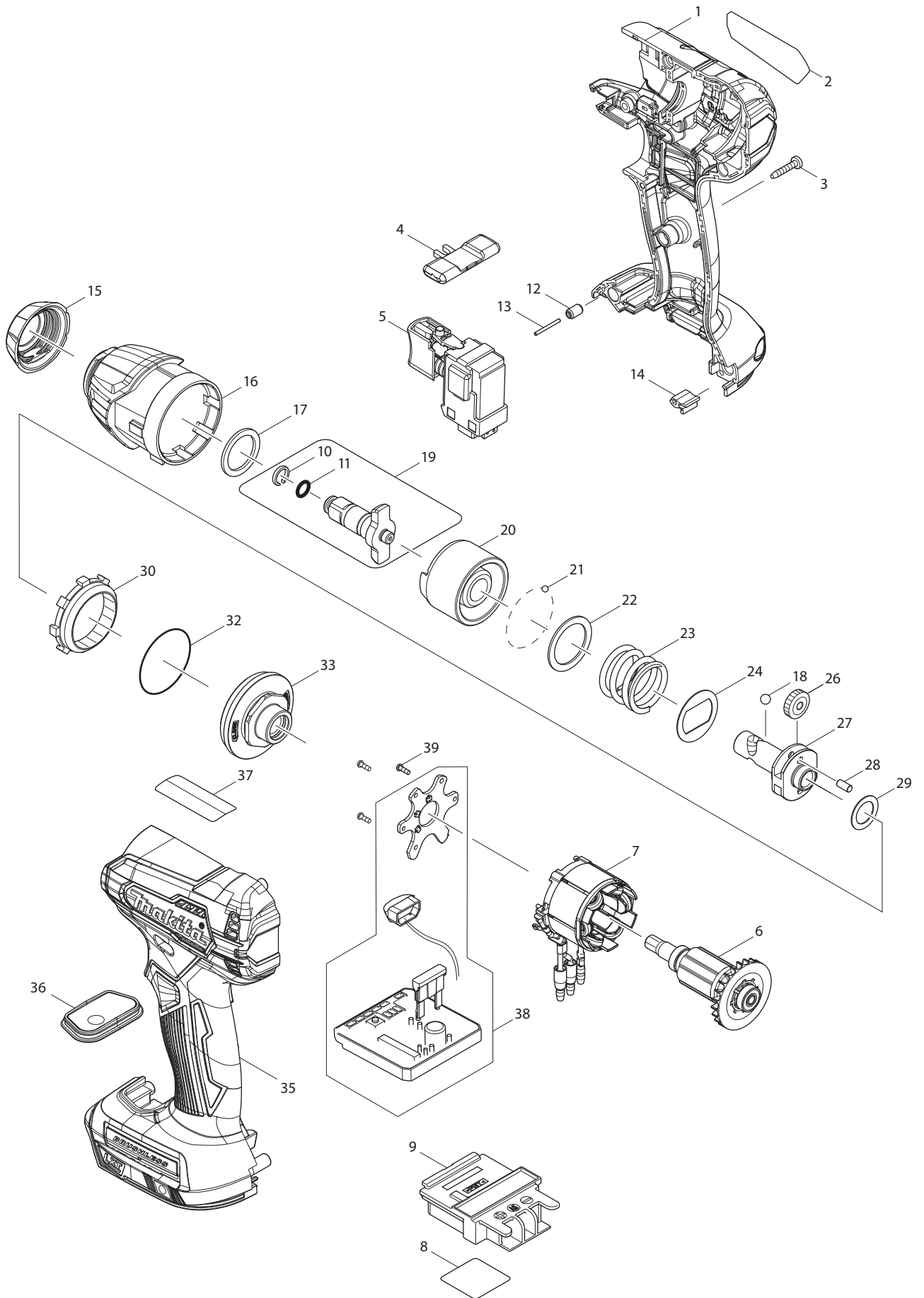


Model XFD11ZB Parts Price List

A = Standard Equipment

O = Circuit Diagram

Item#	Part#	Description	Q'ty Unit
001	183E64-0	HOUSING SET	1
	C10 263005-3	RUBBER PIN 6	2 PC.
	C20 252126-6	HEX. LOCKING NUT M4-7	2 PC.
	D10	INC. 17	
002	852L70-5	XFD11 NAME PLATE	1
003	266429-2	TAPPING SCREW 3X16	8 PC.
004	457020-9	SPEED CHANGE LEVER	1
005	233025-1	COMPRESSION SPRING 2	2 PC.
006	419041-9	F/R CHANGE LEVER	1 PC.
007	650689-0	SWITCH C3JW-2B	1 PC.
008	251468-5	- FLAT HEAD SCREW M6X22	1 PC.
009	763241-6	KEYLESS DRILL CHUCK 13	1
010	123587-6	CHANGE LEVER ASS'Y	1
	D10	INC. 5	
011	123868-8	GEAR ASSEMBLY	1
012	266490-9	TAPPING SCREW PT 2X6	3 PC.
013	620555-5	CONTROLLER	1
014	629228-7	STATOR	1 PC.
015	619410-6	ROTOR	1
016	643874-2	TERMINAL	1 PC.
017	183E64-0	HOUSING SET	1
	C10 263005-3	RUBBER PIN 6	2 PC.
	C20 252126-6	HEX. LOCKING NUT M4-7	2 PC.
	D10	INC. 1	
019	809U04-3	CAUTION LABEL	1
023	620549-0	LED CIRCUIT	1
A01	251314-2	+ SCREW M4X12	1 PC.
A02	346449-3	HOOK	1 PC.



Model XWT12 Parts Price List

A = Standard Equipment

O = Circuit Diagram

Item#	Part#	Description	Q'ty	Unit
001	183H94-9	HOUSING SET	1	
	C10 263005-3	RUBBER PIN 6	2	PC.
	C20 252126-6	HEX. LOCKING NUT M4-7	2	PC.
	D10	INC. 35		
002	854B89-0	XWT12 NAME PLATE	1	
003	266429-2	TAPPING SCREW 3X16	9	PC.
004	455053-8	F/R CHANGE LEVER	1	PC.
005	143975-1	SWITCH COMPLETE	1	
	C10 424890-1	SWITCH COVER	1	
006	619491-0	ROTOR	1	
007	629334-8	STATOR	1	
008	854B90-5	XWT12 SERIAL NO. LABEL	1	
009	643860-3	TERMINAL	1	PC.
010	233943-3	RING SPRING 8	1	PC.
011	213960-9	O RING 5	1	PC.
012	263036-2	RUBBER PIN 5	1	PC.
013	268284-8	PIN 1.5	1	PC.
014	424517-3	CUSHION	1	PC.
015	422228-4	BUMPER	1	
016	144823-7	HAMMER CASE COMPLETE	1	
	C10 213166-9	O RING 12.5	1	PC.
017	261159-0	NYLON WASHER 19	1	
018	216002-8	STEEL BALL 4.8	2	PC.
019	135932-3	ANVIL ASS'Y	1	
	D10	INC. 10,11		
020	327045-6	HAMMER	1	
021	216019-1	STEEL BALL 3	24	PC.
022	267352-4	FLAT WASHER 22	1	PC.
023	232410-5	COMPRESSION SPRING 21	1	PC.
024	267813-4	WASHER 21	1	PC.
026	221437-0	SPUR GEAR 17	2	
027	327046-4	SPINDLE	1	
028	268217-3	PIN 3.5	2	PC.
029	253052-2	FLAT WASHER 12	1	PC.
030	227316-0	INTERNAL GEAR 43	1	PC.
032	213479-8	O RING 33	1	PC.
033	144829-5	BEARING BOX COMPLETE	1	
035	183H94-9	HOUSING SET	1	
	C10 263005-3	RUBBER PIN 6	2	PC.
	C20 252126-6	HEX. LOCKING NUT M4-7	2	PC.
	D10	INC. 1		
036	144828-7	SWITCH PLATE COMPLETE	1	
037	816P57-5	CAUTION LABEL	1	
038	620743-4	CONTROLLER	1	
039	266490-9	TAPPING SCREW PT 2X6	3	PC.
A01	346449-3	HOOK	1	PC.
A02	266622-8	+ TRUSS HEAD SCREW M4X12	1	PC.
A03	***DC18RC	DC18RC FAST CHARGER	1	PC. (XWT12RB)
A04	197257-3	BATTERY BL1820B SET	2	(XWT12RB)
A05	450128-8	BATTERY COVER	2	PC. (XWT12RB)
A06	831253-8	TOTE BAG	1	PC. (XWT12RB)