

Moen Accessories Technical Specification

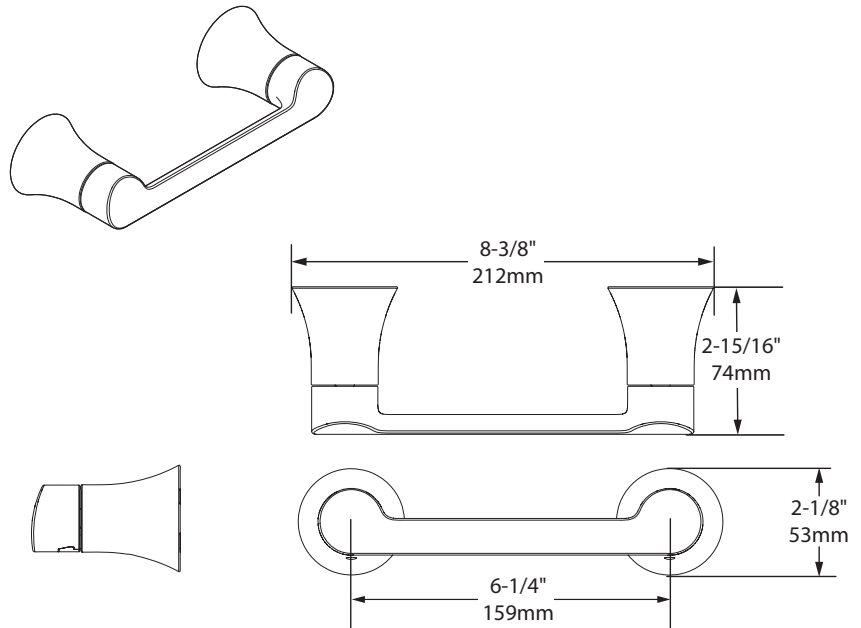
Paper Holder

YB0208

Stock Numbers:

- YB0208CH – Paper Holder
Chrome
- YB0208BN – Paper Holder
Brushed Nickel
- YB0208BL – Paper Holder
Matte Black

Dimensions:



Materials:

Paper Holder is constructed of zinc.

Installation Instructions:

1. Position the mounting template on the wall in the desired location.
2. Using a level, align the template and tape it to the wall.
3. Using the horizontal holes for drywall installation OR the vertical holes for installation into a stud, mark the hole locations at each mounting post for your corresponding product OR drill two 1/4" pilot holes at the corresponding location.
4. Remove the template from the wall.
5. Using a #2 Phillips head screwdriver, screw the provided anchors into the wall until flush.
6. Remove mounting post from the product assemblies by loosening each set screw with the provided hex wrench.
7. One at a time, place each mounting post over the anchors (with the arrow facing up) and insert provided screws through the post into the anchors.
8. Tighten screws.
9. Assemble the paper holder and posts.
10. While assembled, position each end post with setscrews facing down and place over both mounting posts. Tighten the setscrew at the bottom of each post.

Cleaning Instructions:

To preserve the fine finish of this product, clean only with a soft damp cloth. Dry well. Do not use commercial or abrasive cleaners.

Stock Number: _____ Paper Holder
By Moen Incorporated

 **MOEN**
Buy it for looks. Buy it for life.®

25300 AL MOEN DRIVE • NORTH OLMSTED, OH 44070
CORPORATE HEADQUARTERS: (800) 321-8809 • FAX: (800) 848-6636
INTERNATIONAL: (440) 962-2000 • FAX: (440) 962-2726
CUSTOMER SERVICE (USA): 800-882-0116 • FAX: (888) 379-2720
WWW.MOEN.COM

© 2016 Moen Incorporated. Moen is a registered trademark and Wynford is a trademark of Moen Incorporated. All rights reserved.