

MS915800TX

Mirage TV/ Media Stand- Silver

ASSEMBLY INSTRUCTION



Southern
ENTERPRISES

For assistance with assembly contact:

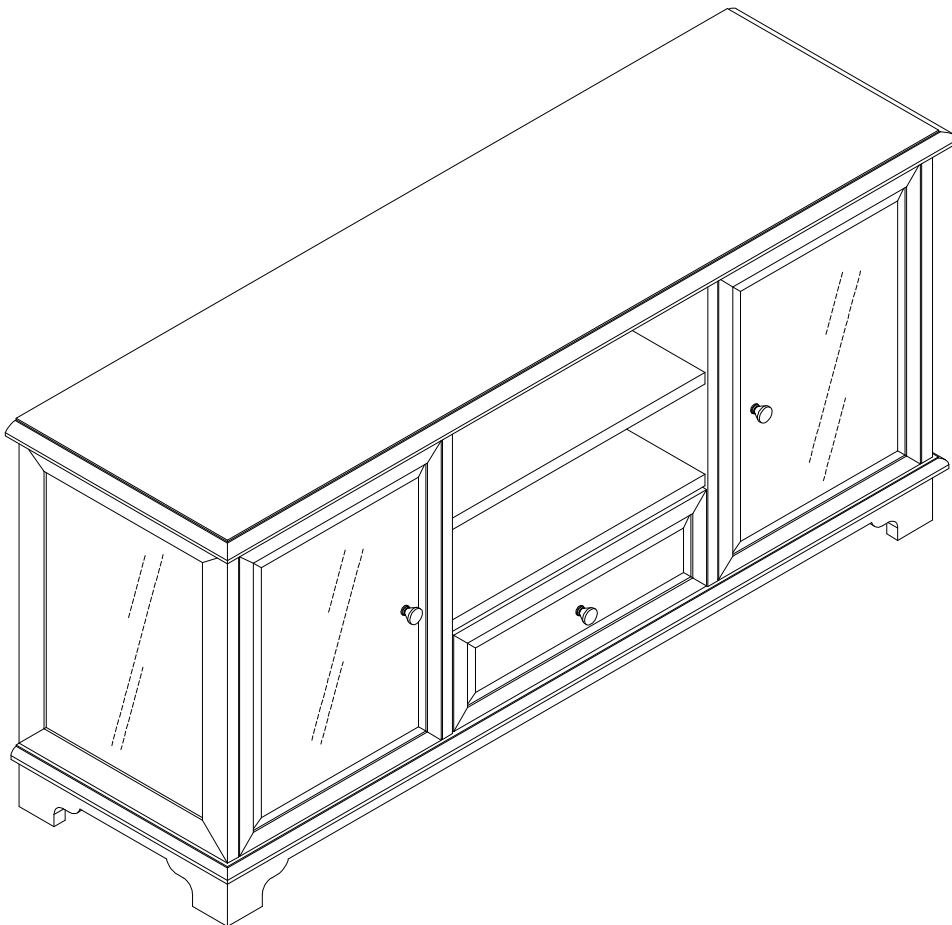
Southern Enterprises, Inc.

Customer Service 1-800-633-5096

service@seidal.com

www.seidal.com

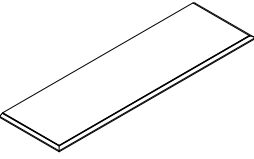
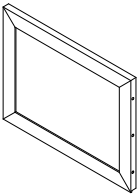
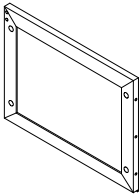
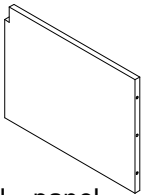
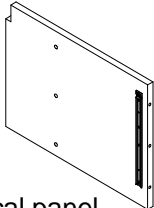
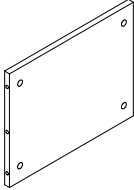
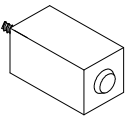
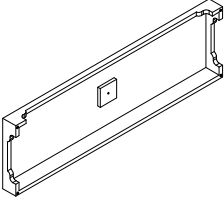
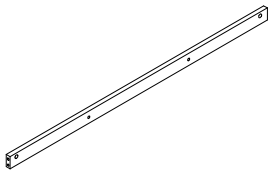
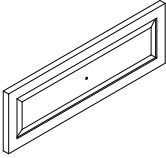
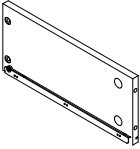
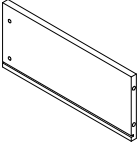
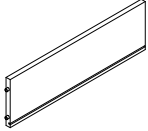
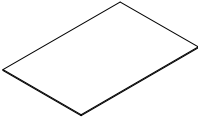
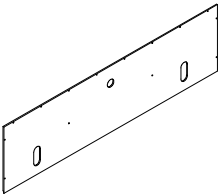
PO# :

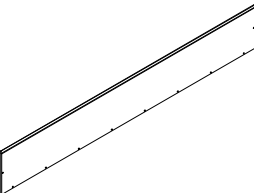
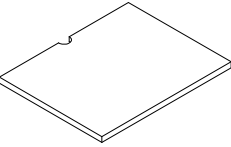
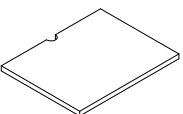
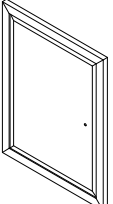
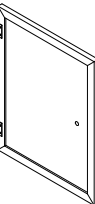
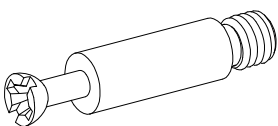

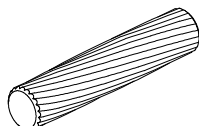
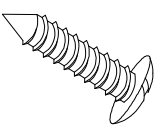
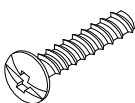
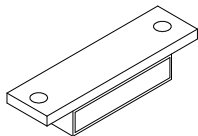
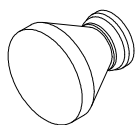
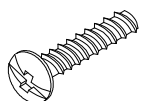
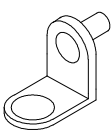


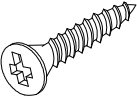
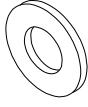
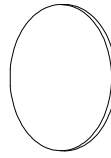
Mirage TV/Media Stand

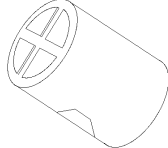

Parts list

Please check packaging for all parts and hardware before discarding. Unpack and lay parts on clean, padded surface like carpet or blanket. Check that you have all parts indicated. Call customer service if hardware is missing. Before beginning assembly, carefully study the diagrams below and sort your hardware according to the pictures. Using the incorrect hardware will cause damage.

<p>A Quantity of 1</p>  <p>top panel</p>	<p>B Quantity of 1</p>  <p>left side panel</p>	<p>C Quantity of 1</p>  <p>right side panel</p>
<p>D Quantity of 1</p>  <p>left vertical panel</p>	<p>E Quantity of 1</p>  <p>right vertical panel</p>	<p>F Quantity of 1</p>  <p>fixed shelf panel</p>
<p>G Quantity of 1</p>  <p>middle leg</p>	<p>H Quantity of 1</p>  <p>bottom panel</p>	<p>I Quantity of 1</p>  <p>front rail</p>
<p>J Quantity of 1</p>  <p>drawer front panel</p>	<p>K Quantity of 1</p>  <p>left drawer side panel</p>	<p>L Quantity of 1</p>  <p>right drawer side panel</p>
<p>M Quantity of 1</p>  <p>drawer back panel</p>	<p>N Quantity of 1</p>  <p>drawer bottom panel</p>	<p>O Quantity of 1</p>  <p>top back panel</p>

<p>P Quantity of 1</p>  <p>bottom back panel</p>	<p>Q Quantity of 1</p>  <p>middle adjustable shelf</p>	<p>R Quantity of 2</p>  <p>side adjustable shelf</p>
<p>S Quantity of 1</p>  <p>left door</p>	<p>T Quantity of 1</p>  <p>right door</p>	
<p>1 Quantity of 26</p>  <p>cam bolt</p>	<p>2 Quantity of 22</p>  <p>cam lock</p>	<p>3 Quantity of 14</p>  <p>wood dowel</p>
<p>4 Quantity of 26</p>  <p>screw: Dia1/8"x1/2"L</p>	<p>5 Quantity of 4</p>  <p>machine screw: Dia3/16"x1-3/4"L</p>	<p>6 Quantity of 2</p>  <p>magnet</p>
<p>7 Quantity of 3</p>  <p>knob</p>	<p>8 Quantity of 3</p>  <p>small bolt Dia5/32"x7/8"L</p>	<p>9 Quantity of 12</p>  <p>shelf pin</p>

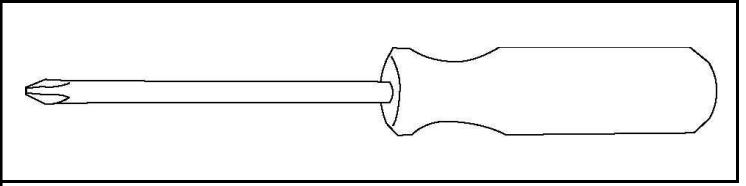
<p>10 Quantity of 12</p>  <p>screw (for hinge and Magnet) Dia1/8"x1/2"L</p>	<p>11 Quantity of 3</p>  <p>plastic washer</p>	<p>12 Quantity of 26</p>  <p>sticker cover</p>
---	--	--

<p>13 Quantity of 4</p>  <p>nut</p>	<p>14 Quantity of 4</p>  <p>Cam lock</p>	
---	--	--

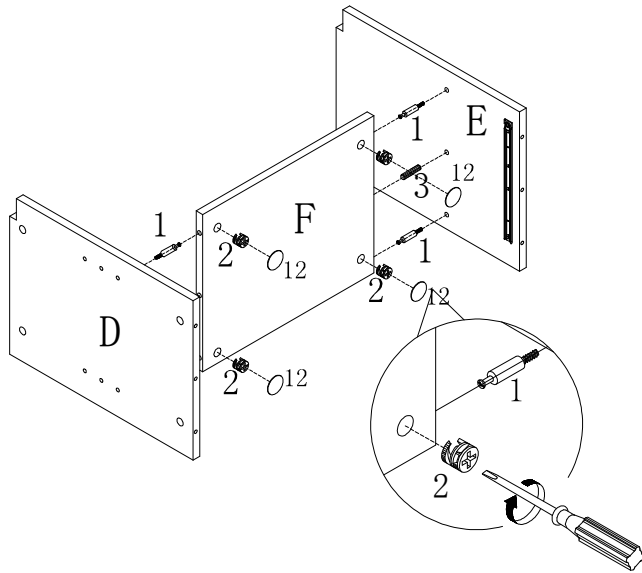
Care and Cleaning Instructions:
 Before using, wipe with a clean, dry cloth.
 Periodically apply furniture wax to renew the finish. Avoid rubbing or scratching the surface with rough or abrasive objects.

For replacement parts or questions, please
 Call Customer Service at 1-800-633-5096

Assembly Tool Required No.2 Phillips Screwdriver (Not included)



Mirage TV/Media Stand Assembly Instructions

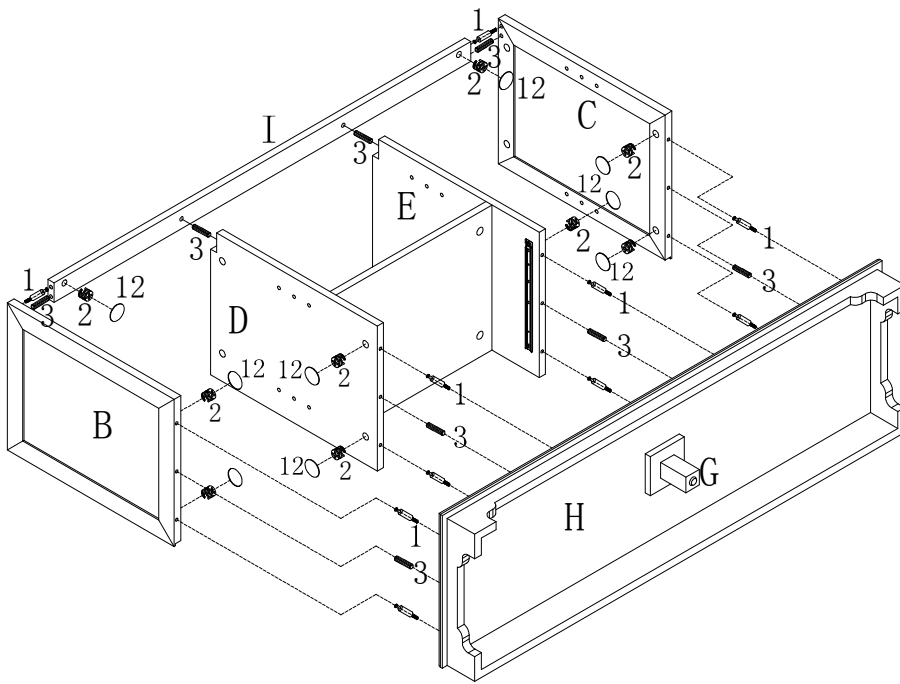


Insert cam locks (2) into holes on fixed shelf (F). Screw cam bolts (1) into holes on left vertical panel (D) and right vertical panel (E). Attach left vertical panel (D) and right vertical panel (E) to fixed shelf panel (F) by inserting wood dowels (3) and cam bolts (1) into corresponding holes until side panel (D), (E), and fixed shelf panel (F) meet.

Tighten by rotating cam locks (2) clockwise with phillips screwdriver.

Cover cam locks with sticker covers (12).

Figure 1



Attach front rail (I) by inserting wood dowels (3) into holes on front rail (I).

Insert cam locks (2) into holes on front rail (I). Screw cam bolts (1) into holes on left side panel (B) and right side panel (C).

Attach left side panel (B) and right side panel (C) to front rail (I) by inserting wood dowels (3) and cam bolts (1) into corresponding holes until left side panel (B), right side panel (C), and front rail (I) meet.

Tighten by rotating cam locks (2) clockwise with phillips screwdriver.

Insert cam locks (2) into holes on left side panel (B), left vertical panel (D), right vertical panel (E), and right side panel (C).

Screw cam bolts (1) into holes on bottom panel (H).

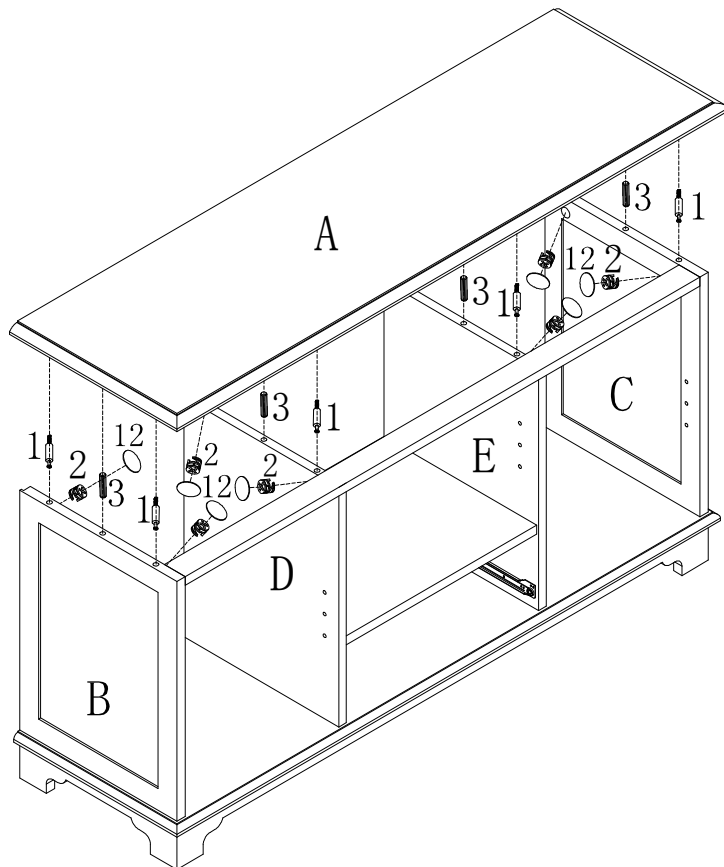
Attach bottom panel (H) to left side panel (B), left vertical panel (D), right vertical panel (E), and right side panel (C) by inserting wood dowels (3) and cam bolts (1) into corresponding holes until all panels meet.

Tighten by rotating cam locks (2) clockwise with phillips screwdriver.

Cover cam lock holes with sticker covers (12) as shown.

Attach middle leg (G) to bottom panel (H) by hand.

Figure 2



Insert cam locks (2) into holes on assembled unit.

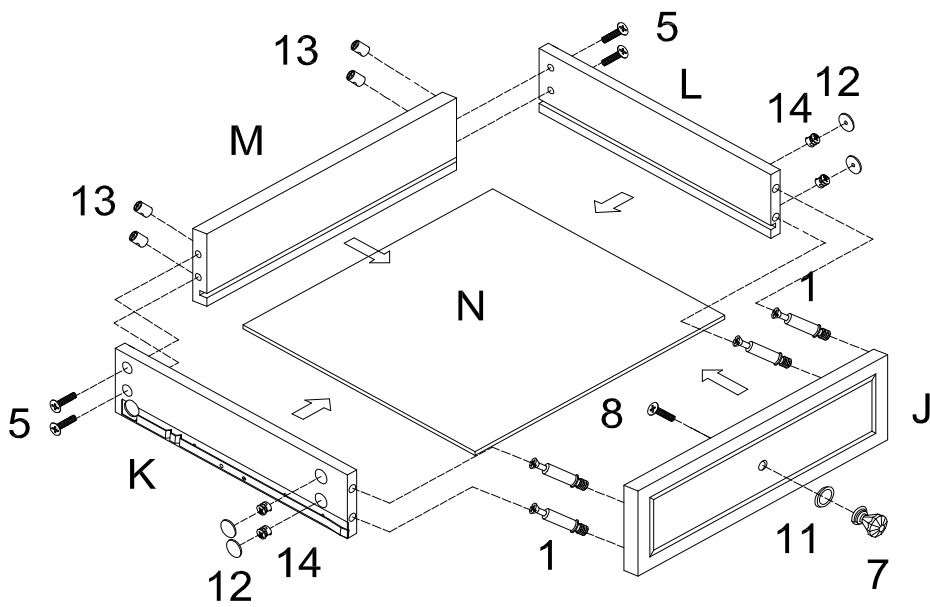
Screw cam bolts (1) into holes on top panel (A).

Attach top panel (A) to assembled unit on by inserting wood dowels (3) and cam bolts (1) into corresponding holes until top panel (A) and assembled unit meet.

Tighten by rotating cam locks (2) clockwise with phillips screwdriver.

Cover cam lock holes with sticker covers (12) as shown.

Figure 3



Insert nut (13) into hole on drawer back panel (M), attach right drawer side panel (L) and left drawer side panel (K) to drawer back panel (M) with machine screws (5).

Tighten screws (5) with phillips screwdriver. Slide drawer bottom panel (N) into the grooves of right drawer side panel (L), left drawer side panel (K), and drawer back panel (M). Insert cam locks (14) into holes on left drawer side panel (K) and right drawer side panel (L).

Screw cam bolts (1) into holes on drawer front panel (J). Attach drawer front panel (J) to left drawer side panel (K) and right drawer side panel (L) until all panels meet.

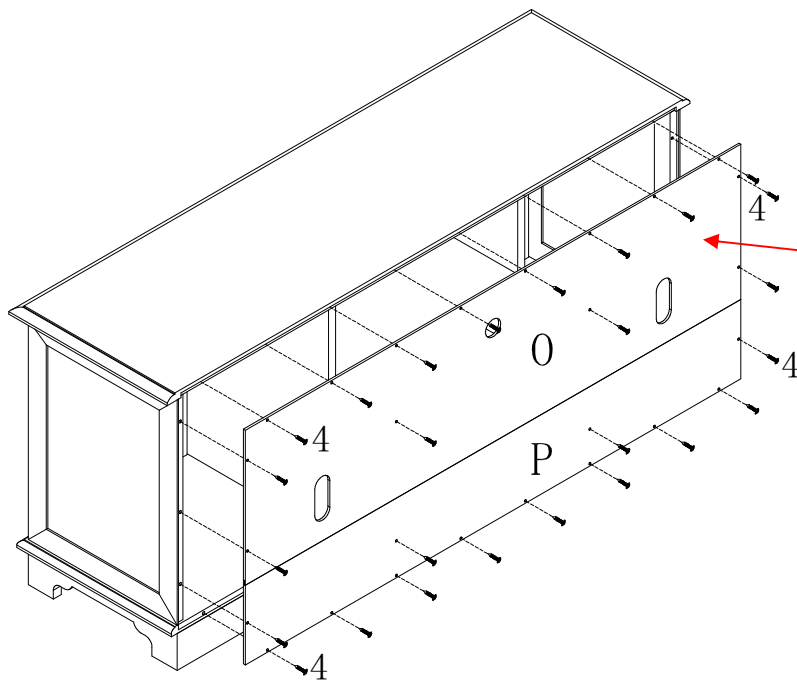
Tighten by rotating cam locks (14) clockwise with phillips screwdriver.

Cover cam lock holes with sticker covers (12) as shown.

Attach knobs (7) to drawer front panel (J) with small bolts (8) through plastic washer (11). Tighten small bolts with phillips.

Tip: Don't over tighten bolts (8) because it will cause the mirror to crack.

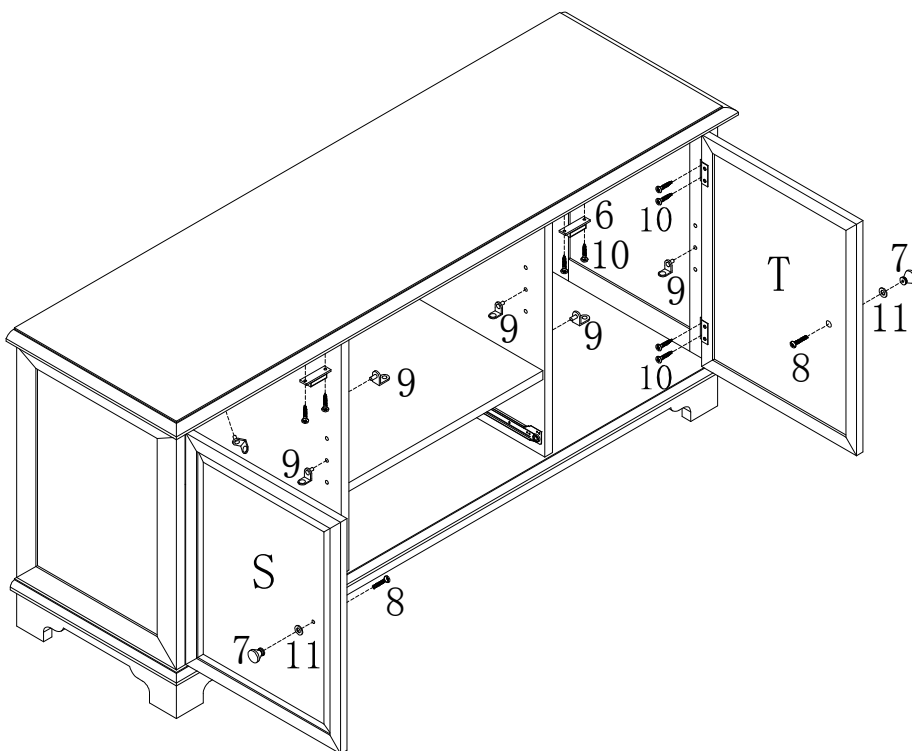
Figure 4



Attach top back panel (O) and bottom back panel (P) to assembled unit with screws (4).

Tighten screws (4) with phillips screwdriver.

Figure 5



Attach magnet (6) to assembled unit with screws (10).

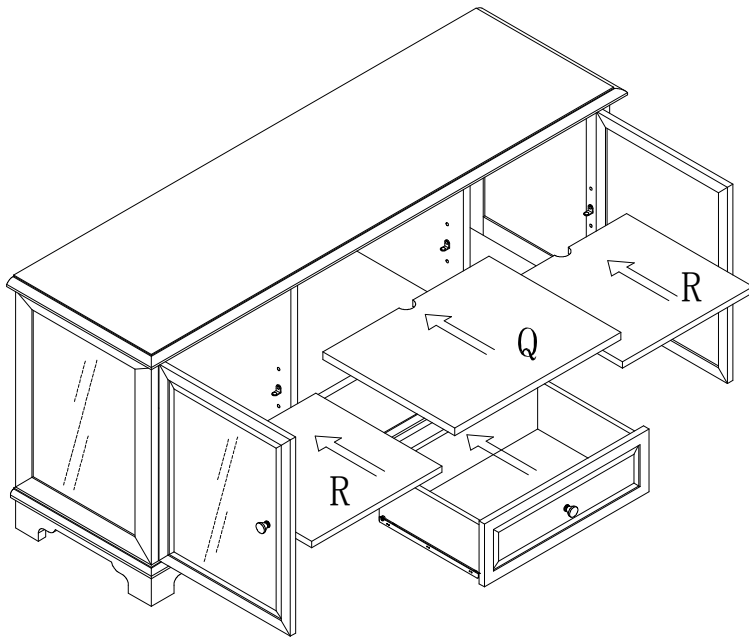
Attach left door (S) and right door (T) to assembled unit on with screws (10).

Insert shelf pins (9) to holes on assembled unit.

Attach knobs (7) to left door (S) and right door (T) with small bolts (8) through plastic washers (11).

Tighten screw and small bolt with phillips screwdriver.

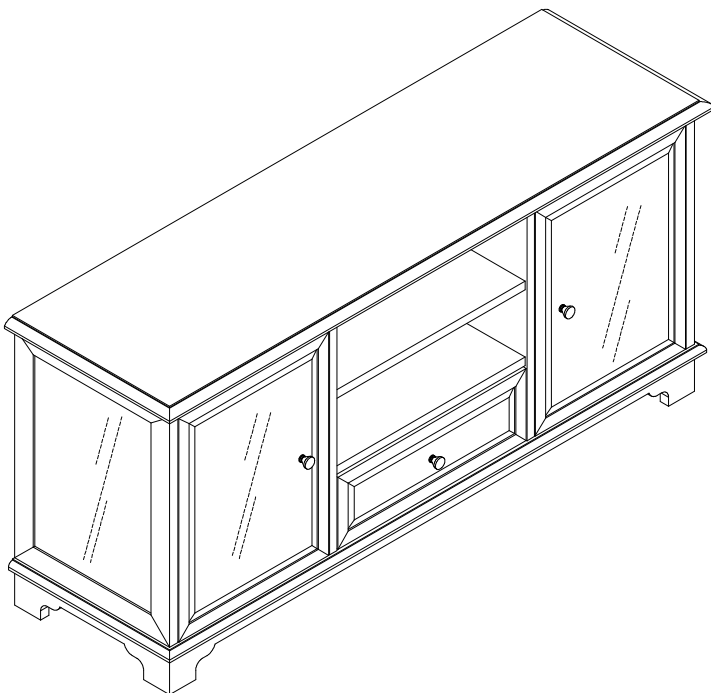
Figure 6



Place adjustable shelves (R) and (Q) onto shelf pins as shown.

Attach drawer into assembled unit. Make sure drawer smoothly slides into side panel's female slides.

Figure 7



Your Mirage TV/media stand is ready to use.

Figure 8

Parts Replacement Form

Customer Information

Name _____

Address _____

City/State/Zip Code _____

Phone Number _____

Please indicate where you purchased this item: Store/Website/Catalog

Please indicate color/size/style number:

Style No	Parts Letter	Parts Description	Quantity Needed
_____	_____	_____	_____
_____	_____	_____	_____
_____	_____	_____	_____

Please immediately examine this product carefully. Any request for missing parts or damage replacement must be received within 90 days of your receipt of the product. Replacement, if available, will be honored within this time frame. Parts will not be available for items arriving fully assembled. We do not recommend modifying product(s) and we are not responsible for any damages due to product modification(s). If damages or missing parts are not reported within 90 days of your receipt, we are under no obligation to provide parts or replacement merchandise.

Please contact Southern Enterprises at 800-633-5096 or in Dallas 972-869-0111/ 9am – 4pm Mon-Fri Central time if you have product issues or email us at service@seidal.com. Please ask for customer service representative for issues involving damages or replacement parts. Please ask for technical assistance representative for any issues with product and assembly/construction.

Please contact the retailer that you purchased from for returns.



Southern
ENTERPRISES

Customer Service 1-800-633-5096
service@seidal.com
Southern Enterprises, Inc.
600 Freeport Parkway, Suite 200
Coppell, Texas 75019



CAUTION

The top shelf is intended for a flat screen television with a maximum overall width of 50" and supports up to 175 lb.

The top shelf is NOT INTENDED for tube televisions.

Each center shelf should not be loaded with more than 20 lb. Each side shelf should not be loaded with more than 15 lb. the drawer box should not be loaded with more than 15 lb

DO NOT EXCEED RECOMMENDED LOAD. Use with products heavier than the maximum sizes and weights indicated may result in instability causing possible injury.

This unit contains a permanent warning sticker located on under side of top shelf or inside drawer.

Do not allow children under 16 years to move the cart.

Model: MS915800TX
MIRAGE TV/MEDIA STAND
Southern Enterprises, Inc
600 Freeport Parkway,
Suite 200 Coppell, Texas, 75019
Manufacture Date: 04/01/2014