



SECURITY'LIGHT  
connected camera concept

---

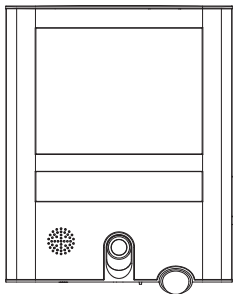
## VESTA ST1906-CAM



LUTEC   
CONNECTED BY LIGHTING

# Contents

---



x 1



x 1



x 3



x 2



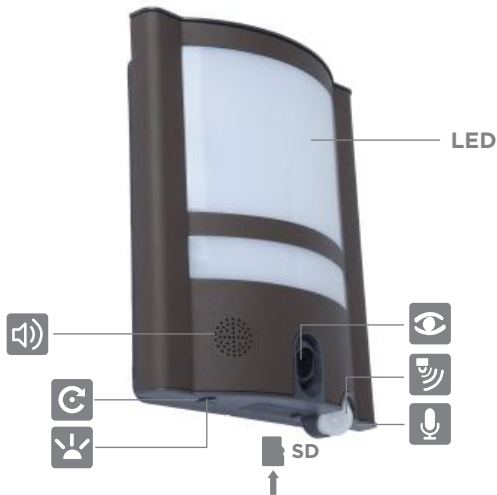
x 1



x 1

# Introduction

---



Reset  
Reiniciar



Camera  
Cámara



Microphone  
Micrófono



Loudspeaker  
Altavoz



Sensor  
Sensor



Indicator light  
Luz indicadora

# Pre-installation

1



- Download the APP.
- Descargar la APP.

2



SECURITY'LIGHT

- Ensure **SECURITY'LIGHT** location has good Wi-Fi reception.
- Asegúrese de que **SECURITY'LIGHT** tiene buena recepción de Wi-Fi.

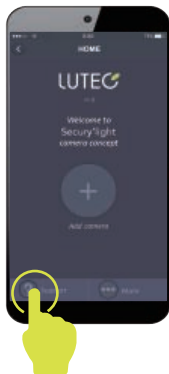
# Maintenance

---

- Wipe the camera regularly.
- Limpie la cámara regularmente.



- Via the "Support" button you can access to all further questions.
- Mediante el botón de "Support" se puede acceder a las preguntas.





**SECURITY'LIGHT**  
connected camera concept

*«When light meets a camera,  
when light means security»*

**Service:**

**LUTEC in USA**

**149B Houston Rd Troutman NC 28166**

**+704-980-4135**

**Are members of LUTEC Group**

**CN8, Far East Industry Park , Yuyao, China**

**Service@lutec.net www.lutec.net**

**LUTEC**

CONNECTED BY LIGHTING

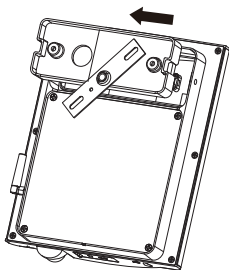
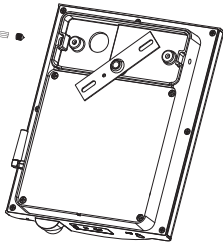
# Installation

---

① OFF



②

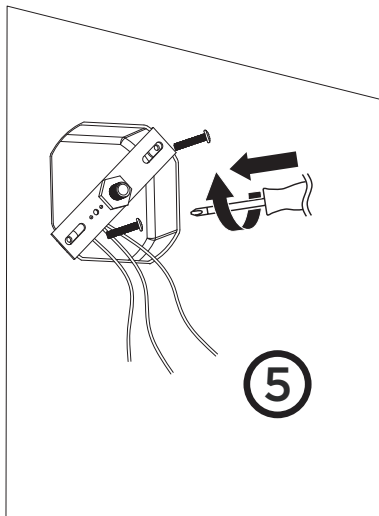
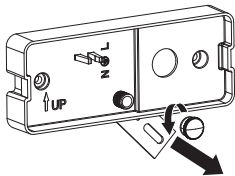


③

# Installation

---

4



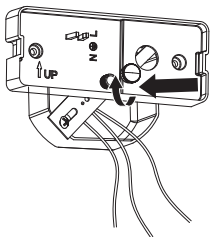
5



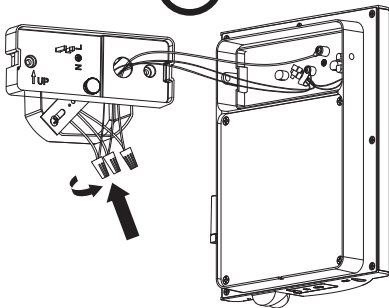
# Installation

---

6

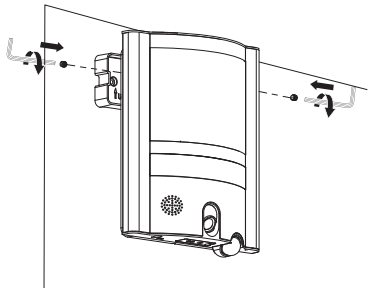


7

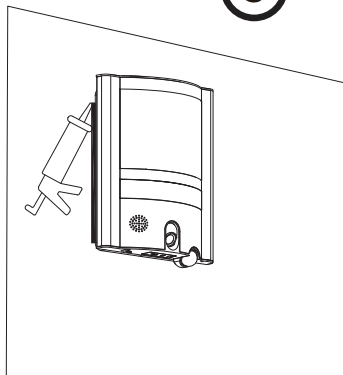


# Installation

---

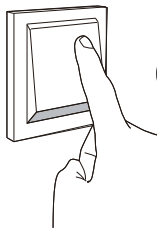


8



9

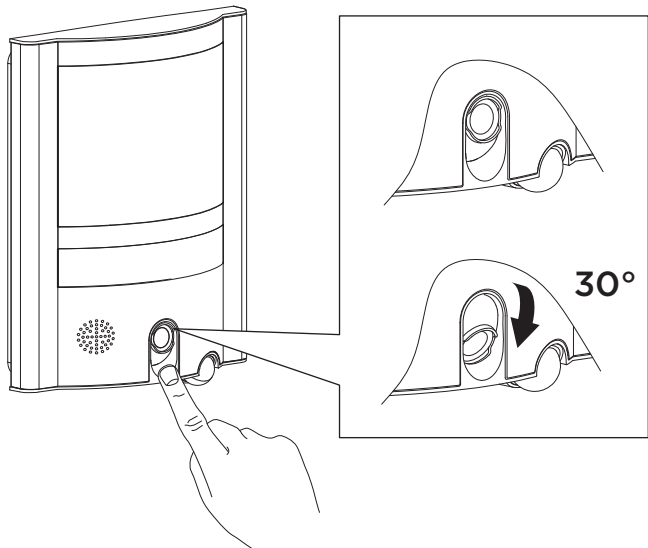
ON



10

# Adjustment

---



# Set up



- Start set up when red indicator flashes.
- Inicie la configuración mientras el indicador rojo parpadea.

