

Installation Instructions:

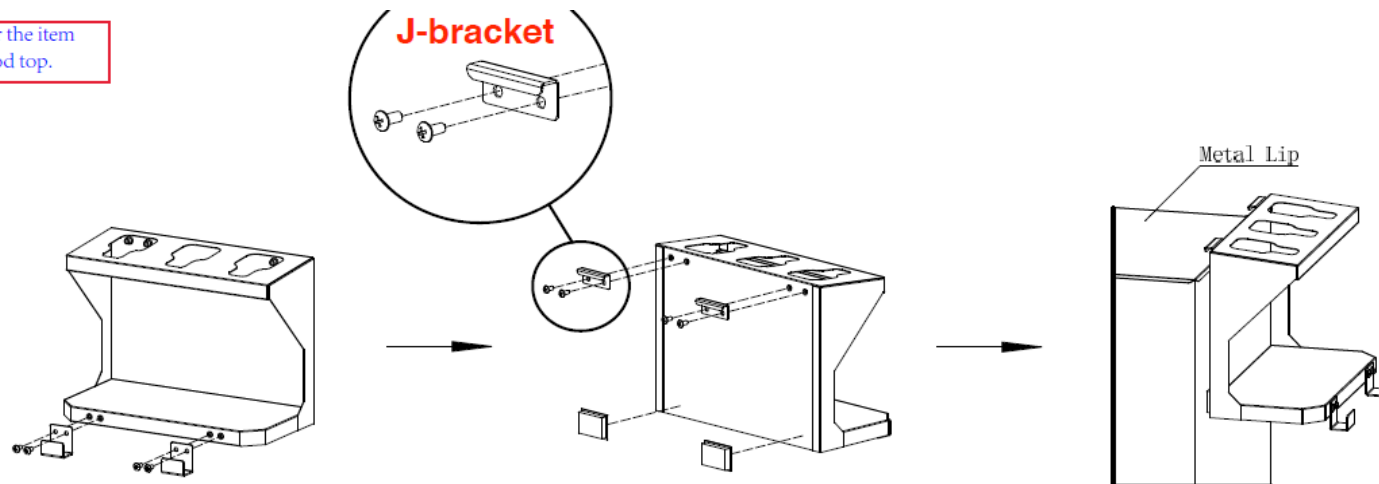
1. Attach the cord storage hooks using four bolts
2. Determine which mounting bracket to use based upon the style of tool cabinet you are attaching too.

Warning! For product safety, the attachment brackets must be used to properly secure the Power Tool Organizer to your existing tool cabinet. The two magnets will reduce vibration and movement of the Power Tool Organizer and are not intended for mounting only.

A. If your tool cabinet has a recessed top with a raised metal lip, then use the two J-shaped brackets

- Attach the J-shaped brackets to the Power Tool Organizer using four bolts
- Attach the 2 magnets to the bottom corners of the Power Tool Organizer by removing the adhesive label on the rear of the magnets
- Hang the Power Tool Organizer on your tool cabinet and press down to ensure fully seated and secure

Option 1 for the item
without wood top.



B. If your tool cabinet has a flat top made of wood or steel, then use the two L-shaped brackets

- Attach the L-shaped brackets to the Power Tool Organizer using four bolts
- Attach the 2 magnets to the bottom corners of the Power Tool Organizer by removing the adhesive label on the rear of the magnets
- Carefully place the Power Tool Organizer on your tool cabinet in the desired location and mark the 4 holes in the L-bracket. Remove Power Tool Organizer.
- Using a 3/32 in. drill bit, carefully pre-drill four holes into the tool cabinet top at 1/2 in. maximum depth. Caution! Failing to pre-drill the holes in a wood top will cause the top to split.
- Attach the Power Tool Organizer to your tool cabinet using the four screws

Option 2 for the item with wood top.

