



# ENGINEERING EXCELLENCE

Motegi Series #4MT840

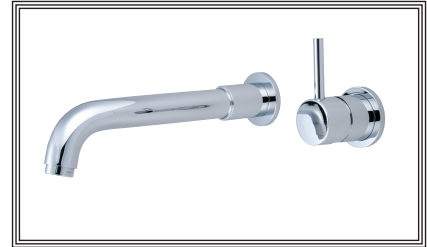
PARTS BREAKDOWN SHEET

### DESCRIPTION

- Single Handle Wall Mount Roman Tub Set
- Metal Lever Handle
- Rigid Bent Nose Spout
- 10" Reach
- Ceramic Disc Cartridge with Temperature Limit Stop
- 2-Hole 4" Installation
- Includes Valve With Mounting Plate

### FINISHES

- PC PVD Polished Chrome
- BN PVD Brushed Nickel
- SS PVD Stainless Steel
- PN PVD Polished Nickel
- PB PVD Polished Brass



#4MT840 SHOWN \* ADA 

### STANDARDS APPLICABLE

- ASME A112.18.1
- ANSI A117.1
- CUPC / IAPMO LISTED / ADA COMPLIANT

### Note:-

Rough-in valve included.

Model #: \_\_\_\_\_

Specific Features: \_\_\_\_\_

Project Name: \_\_\_\_\_

Submitted For: \_\_\_\_\_

Model	Description	Finishes	
#4MT840	Single Handle Wall Mount Roman Tub Set	<input type="checkbox"/> PC	<input type="checkbox"/> Other__



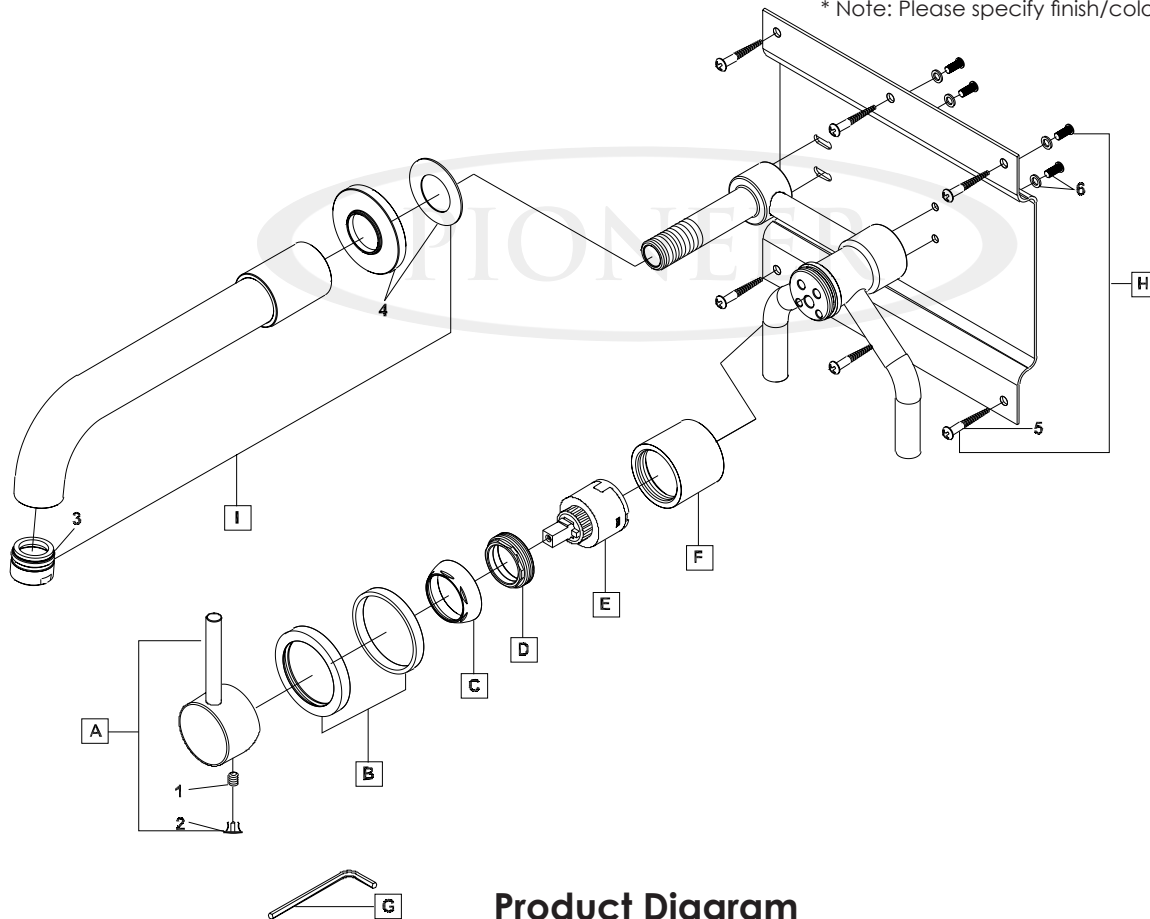
ENGINEERING EXCELLENCE

Pioneer:1-800-338-9468  
 Commerce, CA 90040  
 www.pioneerind.com  
 Pioneer Industries, Inc. © 2013

DMPB4MT840/REV. 12 2012  
 Page 1 of 2

	ITEM#	DESCRIPTION
A	X-1900008*	Motegi Lever Handle
B	X-4900052*	Valve Escutcheon
C	X-4900017*	Retainer Sleeve
D	X-4900018	Retainer Nut
E	X-3900001	Ceramic Disc Cartridge
F	X-4200091*	Valve Sleeve
G	X-4900024	3/32" Allen Wrench
H	X-4900054	Mounting Bracket With Screws
I	X-2400001*	Motegi Bent Nose Spout
1	X-4900002	3/32" Allen Screw
2	X-4900044*	Hole Cover
3	X-4400042*	Flow Streamer
4	X-4400040*	Spout Escutcheon
5	X-4900055	Mounting Screw
6	X-4900056	Mounting Screw & Washer

\* Note: Please specify finish/color when ordering.

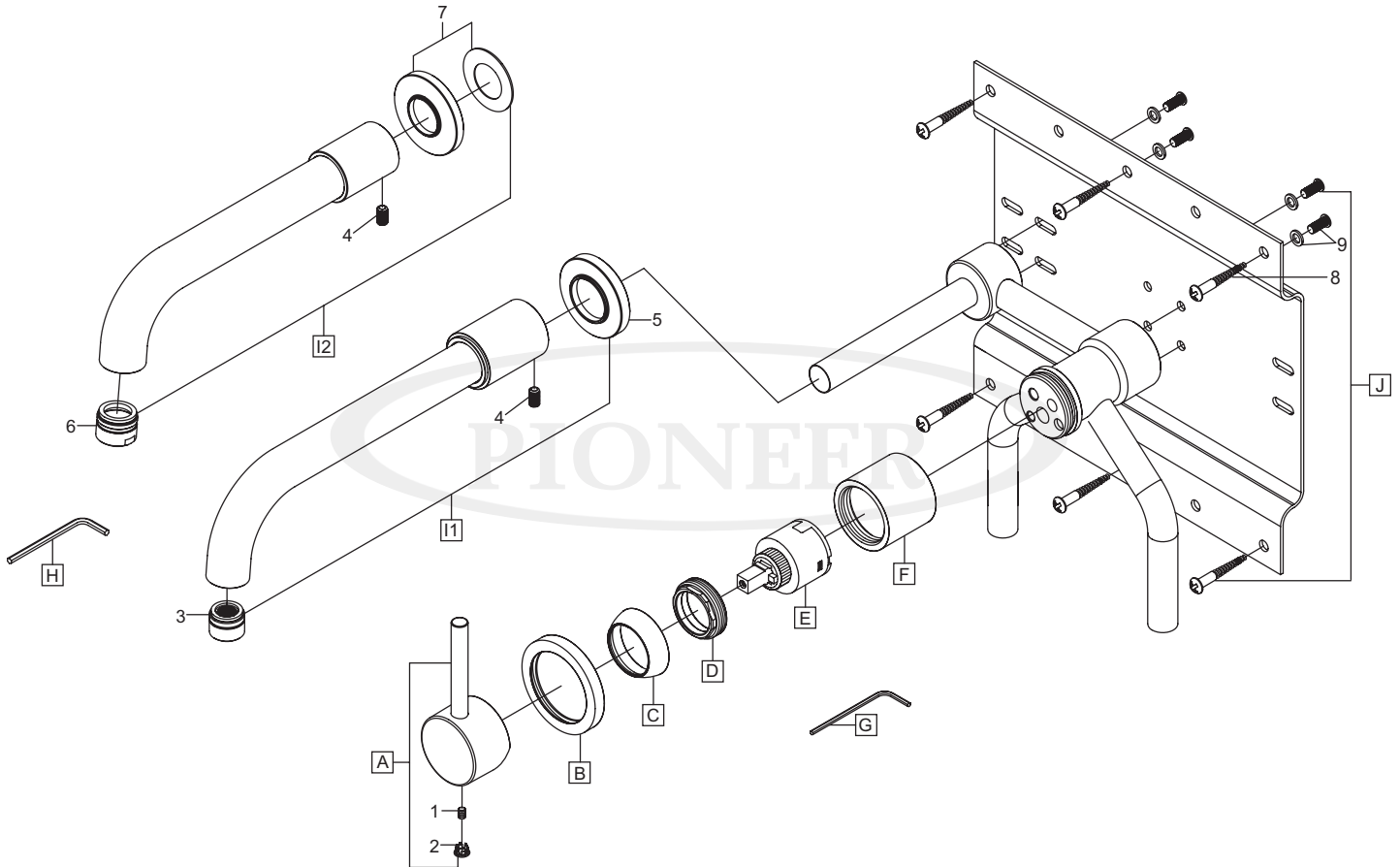


Product Diagram



ENGINEERING EXCELLENCE

Pioneer: 1-800-338-9468  
 Commerce, CA 90040  
 www.pioneerind.com  
 Pioneer Industries, Inc. © 2013



ITEM#	DESCRIPTION	ITEM#	DESCRIPTION
A	X-1900008* Motegi Lever Handle	1	X-4900002 3/32" Allen Screw
B	X-4900052* Valve Escutcheon	2	X-4900044* Hole Cover
C	X-4900017* Cap	3	OP-490063* 1.2 GPM Aerator (For 3MT800)
D	X-4900018 Retainer Nut	4	X-4400001 1/8" Allen Screw
E	X-3900001 Ceramic Disc Cartridge	5	X-4300029* Spout Escutcheon (For 3MT800)
F	X-4200091* Valve Sleeve	6	X-4400042* Flow Streamer (For 4MT840)
G	X-4900024 3/32" Allen Wrench	7	X-4400040* Spout Escutcheon & Gasket (For 4MT840)
H	X-4900026 1/8" Allen Wrench	8	X-4900055 Mounting Bracket Screws
I1	X-2300023* Motegi Bent Nose Spout (For 3MT800)	9	X-4900056 Washers and Bolts
I2	X-2400021* Motegi Bent Nose Spout (For 4MT840)		
J	X-4900054 Mounting Bracket With Screws		

\* Note- Please Specify finish/color code while ordering.