



# INSTALL DIRECTION

STEAM BATHROOM

MODEL : WS-701



*Your best choice!*

- No advanced advice will be submit before we change our design and size.
- The pictures may be a little different from the real products.
- Our company keep the final explanation right.

## TECHNIQUE PARAMETER

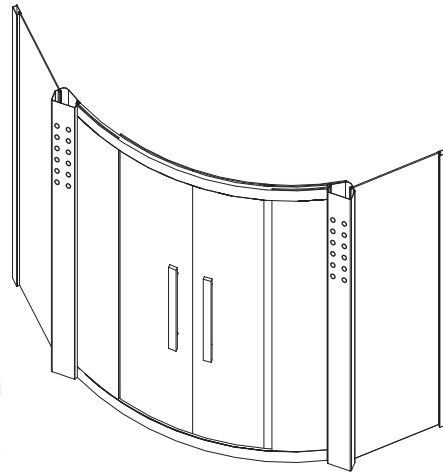
Voltage	Frequency	Water Voltage	Power of steam generator	Power of water pump	Power of heat pump	Power of air pump	Storage capacity	Storage capacity
Ac 110 V(±10%)	60Hz	0.1~0.2Mpa	2.65KW	1.2HP	1.0KW	0.2KW	66gallon	0.3m <sup>3</sup>

CAUTIONS: Heat pump and air bubble pump is required by customers.

## CONSTRUCTION SKETCH



Handrail



Glass door

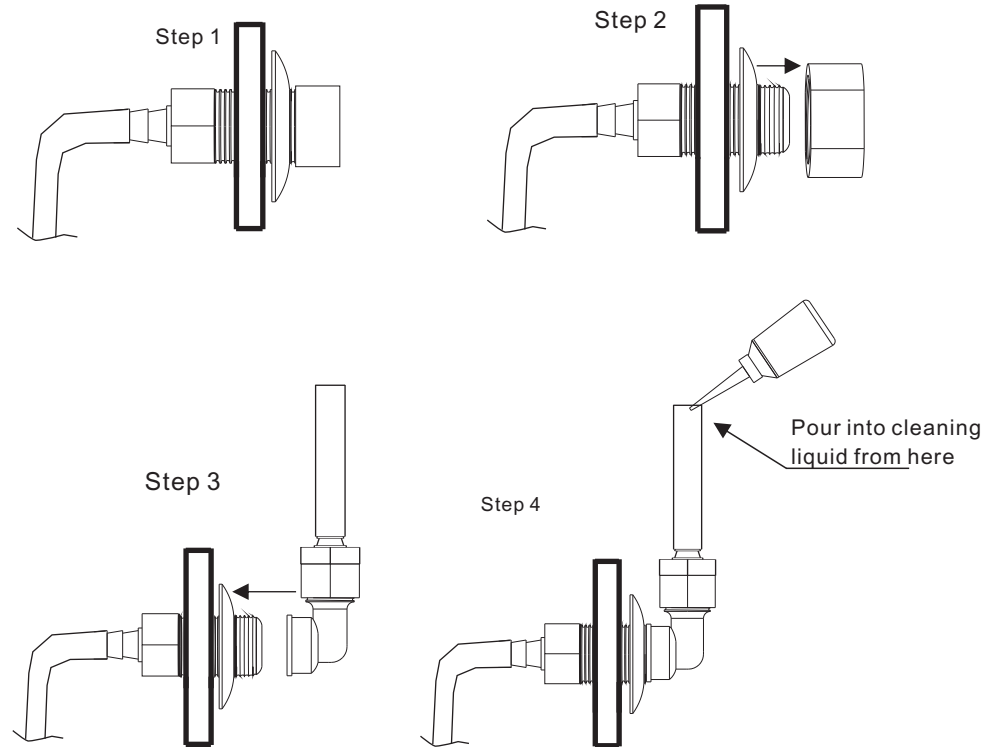


SIZE 1660x1660x2250 mm  
65.4"x65.4"x88.6"




Shower moveable rail




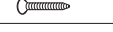
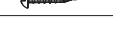
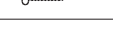

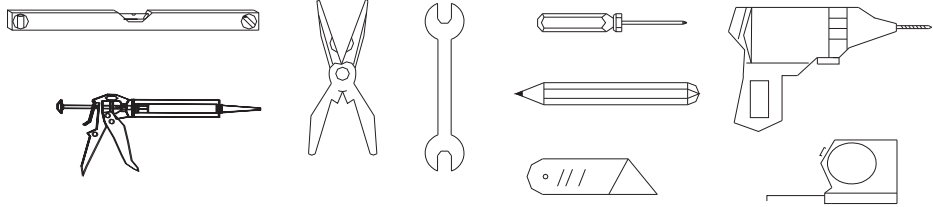
## Self-clean system



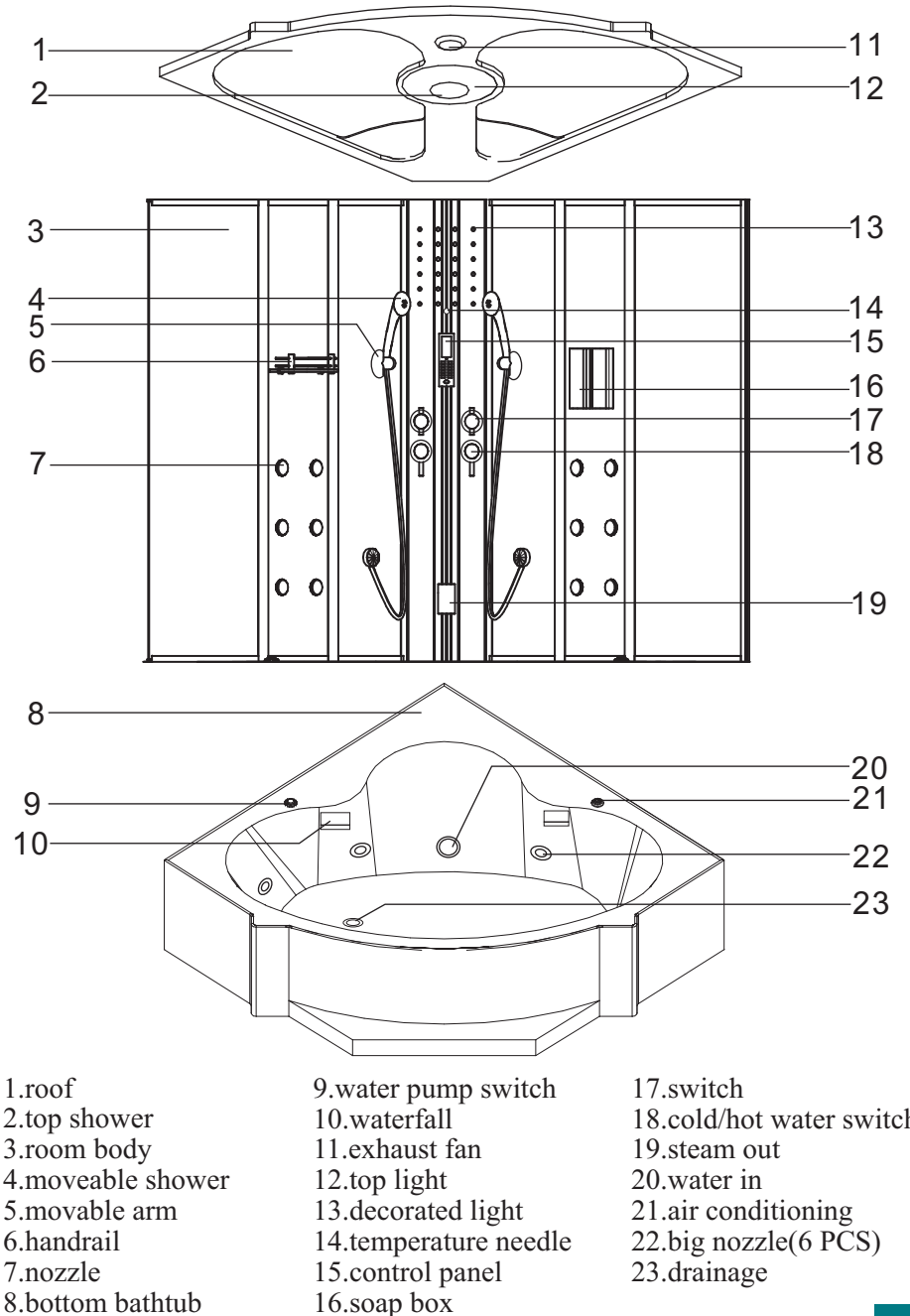
### Cleaning method :

1. Clean the steam engine regularly at least once by every 2 weeks or after using 20 times.
2. Inject citric acid as main cleaning liquid, add 1.5L each time. after 10 minutes, turn on and When the system turns on, press  button to start the steam function for about 30 seconds and then shut down the system. After vent the stagnant water, repeat 2 or 3 times.
3. CAUTION: The system must be shut down before injecting

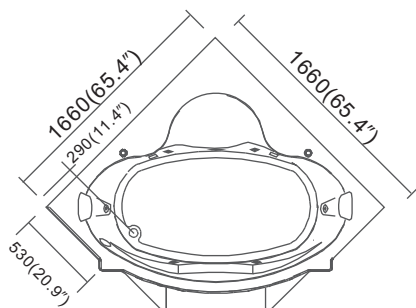
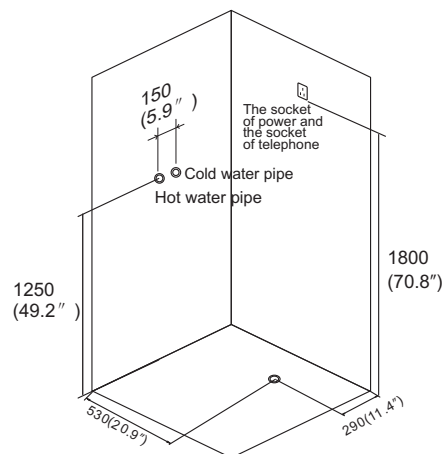
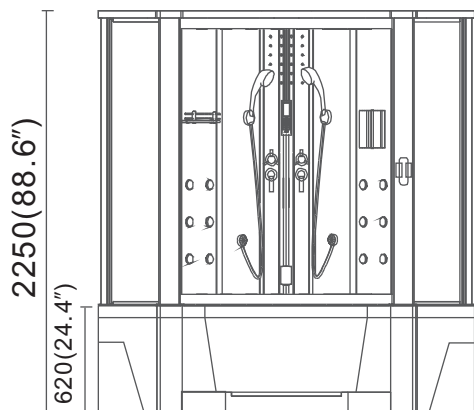
## Packing list

Packing 1	four pieces of glass shower body, four pieces of fixed glass door , two pieces of sliding glass door ,one piece of post, two pieces of decorating post,two pieces of magnetic strip,four pieces of water resist strip,six pieces of single side plastic seal, two pieces of up and down bended aluminum column,two pieces of decorating board. 蒸			
Packing 2	one tray,one roof, two pieces of long handle.			
Spare parts list	two set of shower,one set of towel shelf,one piece of herb box,one piece of soap box, one piece of drainage cover ,wheel with cover,two pieces of “T” shaped pillow,M6*25 screw(1),M6*35 screw(2),ST4*20 screw(3),ST4*25 screw(4),ST4*20 screw(5), ST4*12 screw(6),M4*25 screw(7),one instruction.			
	SCREW (1)	M6x25		10pcs
	SCREW (2)	M6x35		10pcs
	SCREW (3)	St4x20		4pcs
	SCREW (4)	St4x25		4pcs
	SCREW (5)	St4x20		16pcs
	SCREW (6)	St4x12		8pcs
	SCREW (7)	M4x20		4pcs
				

## CONSTRUCTION SKETCH



## ● INSTALLATION SKETCH

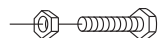


SIZE: 1660×1660×2250mm  
65.4"x65.4"x88.6"

Other screws  
M4x16 M4x25



Install the screw  
M6x25



Active chain wheel of glass



## ● ILLUSTRATION OF INSTALLATION

1. The products should be installed by technical guy who are got the certificate or those technical who are assign by dealers. The main power switch and electronic leakage device should be installed.
2. The plug of electronic should be installed above the steam generator and the length of electronic wire not less then 1800MM from the earth.
3. There are should be with main power switch for hot and cold water pipe of steam room and the water pipe should be connect to drainage water pipe.
4. Install the products according to the diagram of installation When fixed the place for the products.

## ● ATTENTION

1. In order to be tripped and fell down, pay more attention when get into the steam room. Please don't shut the finger in the door in order to be hurt.
2. In order to avoid damaging the surface of products please do not use hardness and sharpness tool to curve the products.
3. In order to course fire, no smoking inside the bathroom.
4. the jets of steam and drainage pipe both are high temperature when products working, in order to be hurt please be careful.
5. In order to be tripped and fell down please keep clear of the bathtub after taking shower each time.
6. It will be leaking if the glass glue plastic sheet be off then please add some more for recover.
7. If there are marks of water please clear with soft cloth and toothpaste.
8. In order to be blocked of drainage device please keep clean of the surface of bathtub.
9. Please do not hang up heavy things on the steam room or the handle of steam room.
10. Please deal with the products according to the local laws when it is no longer be use.

## ● ATTENTION FOR USAGE

1. check if power and cold/hot water switch be turn on or be turn off each time before use this product.
2. check if power of electronic leakage device be get through or not.  
Checking way:  
Press testing button, light of power be off, press button of restart then light of power be on. It is not being what mentioned above after operated step by step, then that shows the electronic protection device out off control or there is something wrong with the electronic leakage device, so should ask professional to check and maintain the product.
3. Turn off the main power of control panel after stop usage. The plug of power should be pull out because only turn off all the functions of control panel that is not stop the power.
4. People with hypertension or drunk are not allowed to have sauna steam bath.
5. Children should have sauna steam bath under adult's instruction.
6. Please don't shut the finger in the door in order to be hurt when get into the steam room.
7. In order to be tripped and fell down, pay more attention when get into the steam room.
8. keep clean of the tray in order to be tripped and fell down.

Attention:

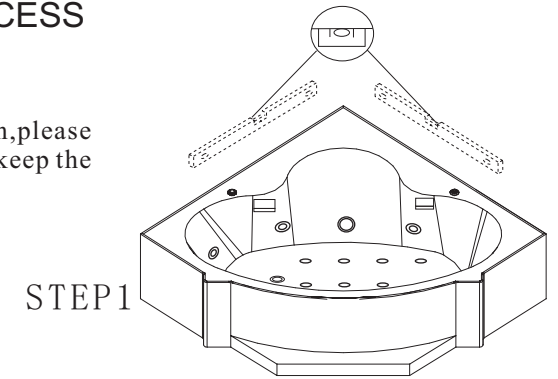
The machine must be fixed in the circuit which protected by creepage protection and should be well-connected with the ground. Nontechnical people can not be fixed or removed at random.

### 6、 Technical parameter

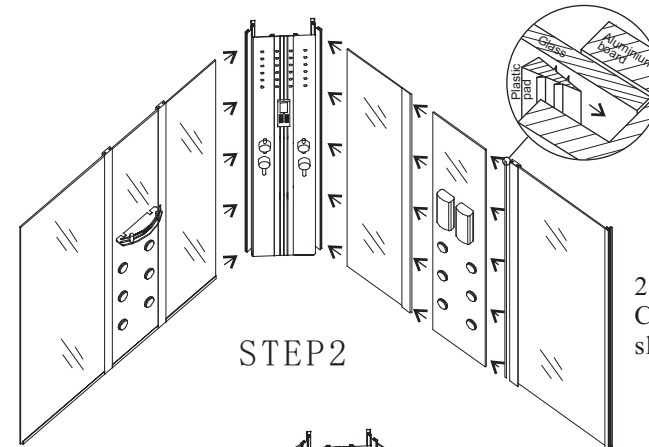
Model	Voltage	Current	Power	protecting electrifying	Waterproof Grade
KL-824	110V	25A	2650W	I	Ip4
Top light	Sidelight	Fan	Water inlet valve	Water drain valve	
20W	5W	3.5W	6W	7W	
AC12V	AC12V	DC12V	DC12V	DC12V	

## ● INSTALLATION PROCESS

1. Assembly of tray  
If the ground is not smooth, please adjust the nail under the tray to keep the balance of the tray and ground.

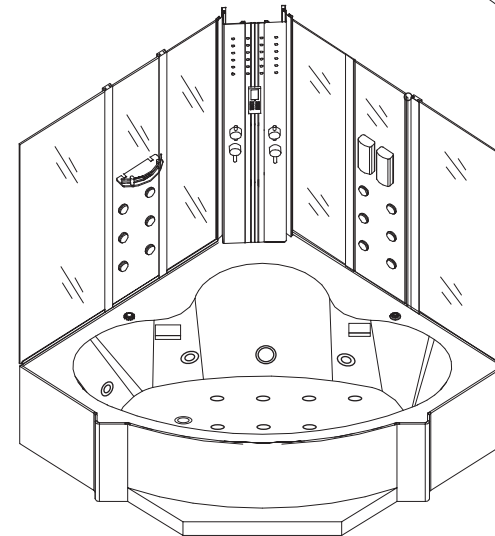


STEP1



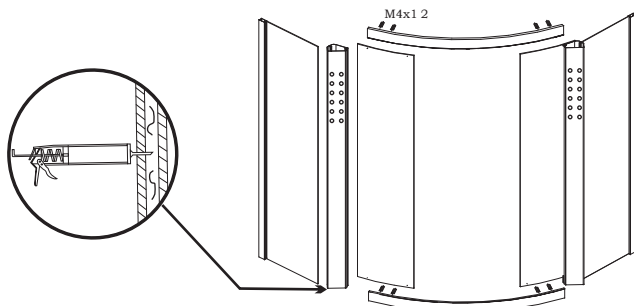
STEP2

2 Install the back shower body  
Connect all the back glass shower body.



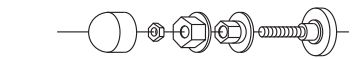
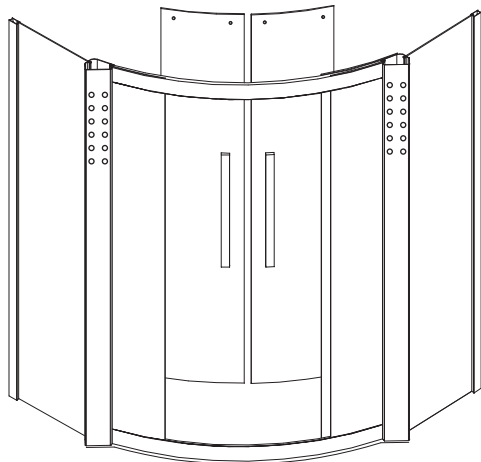
STEP3

3. Install the shower body  
Put the back shower body onto the tray, fix it.



4. Assembly of fixed glass door  
Connect the fixed glass door.

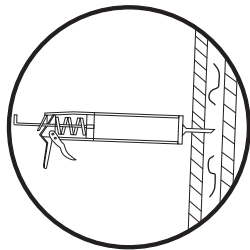
STEP4



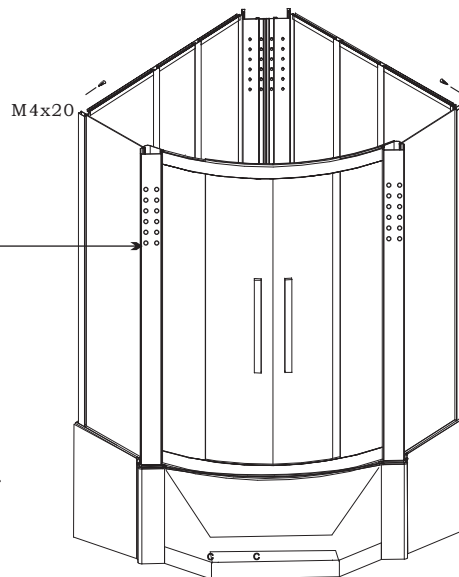
Active chain wheel of glass

5. Assembly of sliding door  
put the sliding door into the up and down aluminum track to keep it balance, fix it.

STEP5



6. Install the shower body  
Put the glass door on the tray, together with the back shower body, fix it.



STEP6

### (1) The electrical pitch

Press pitch can open the machine, the temperature is the room temperature. The time will show 30m. At the same time, it will open the ceiling lamp. Press again will close all the functions. (After the closure of the machine, the water case will drain for 2 minutes)

### (2) The application of the back lamp

Press , the sidelight is on. Press again, the ceiling lamp is out, press a third press, the sidelight is out too.

### 3) The steam function

Press , startup the steam function, the water case will pump water automatically. After 60 minutes or so, it will generate steam. (When the water case is lack of water, the controller will replenish automatically)

### (4) The air draft function

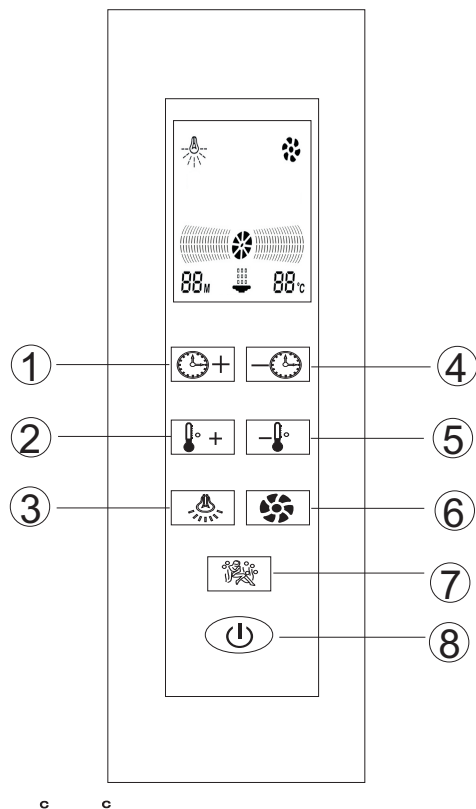
Under the condition of turning on, press can start up air draft function, press again will close it.

### (5) The setting of time or temperature

1. Press pitch can adjust the time from 1-99.

2. Press pitch can adjust the temperature from 30-60 .





① Time adjustment pitch+

② Temperature adjustment pitch+

③ Ceiling Lamp/Back Lamp pitch

④ Time adjustment pitch-

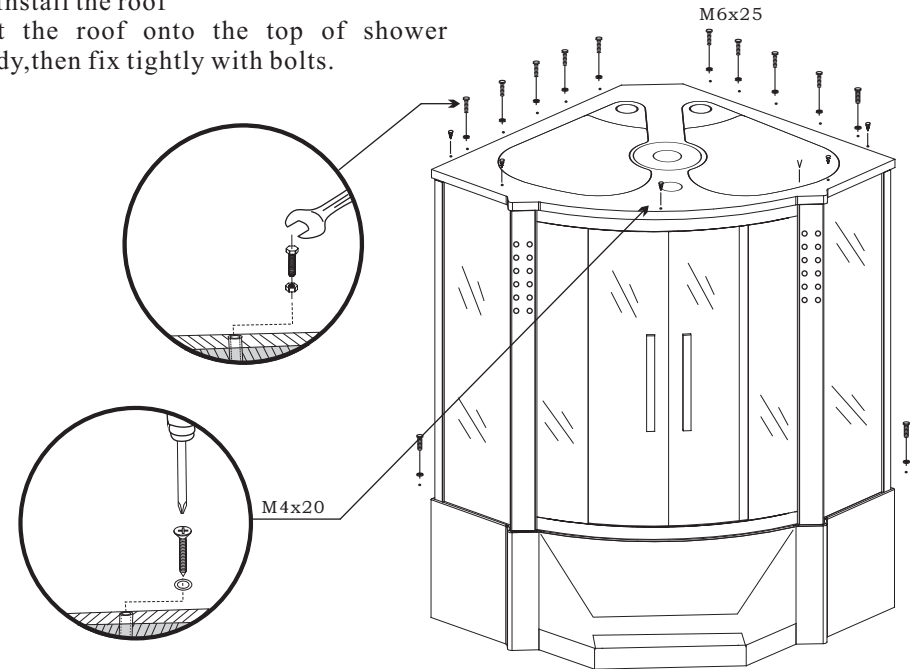
⑤ Temperature adjustment pitch-

⑥ Fan Pitch

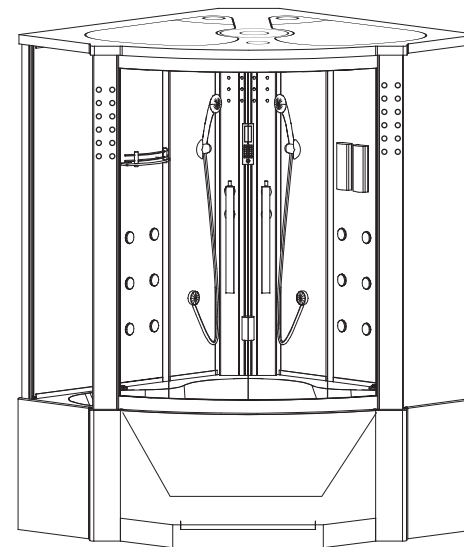
⑦ Steam Pitch

⑧ Main Cock Pitch

7. Install the roof  
Put the roof onto the top of shower body, then fix tightly with bolts.



STEP7



STEP8

8. Install spare parts

A. Finish assembling the whole set, in order to avoid water and steam leaking, except the position of sliding glass door do not use the silicone, the silicone should be used on all else connecting position.



B. While connecting the cold water pipe and drain pipe, wipe the silicone on the connecting mouth to make it will be connected very well.

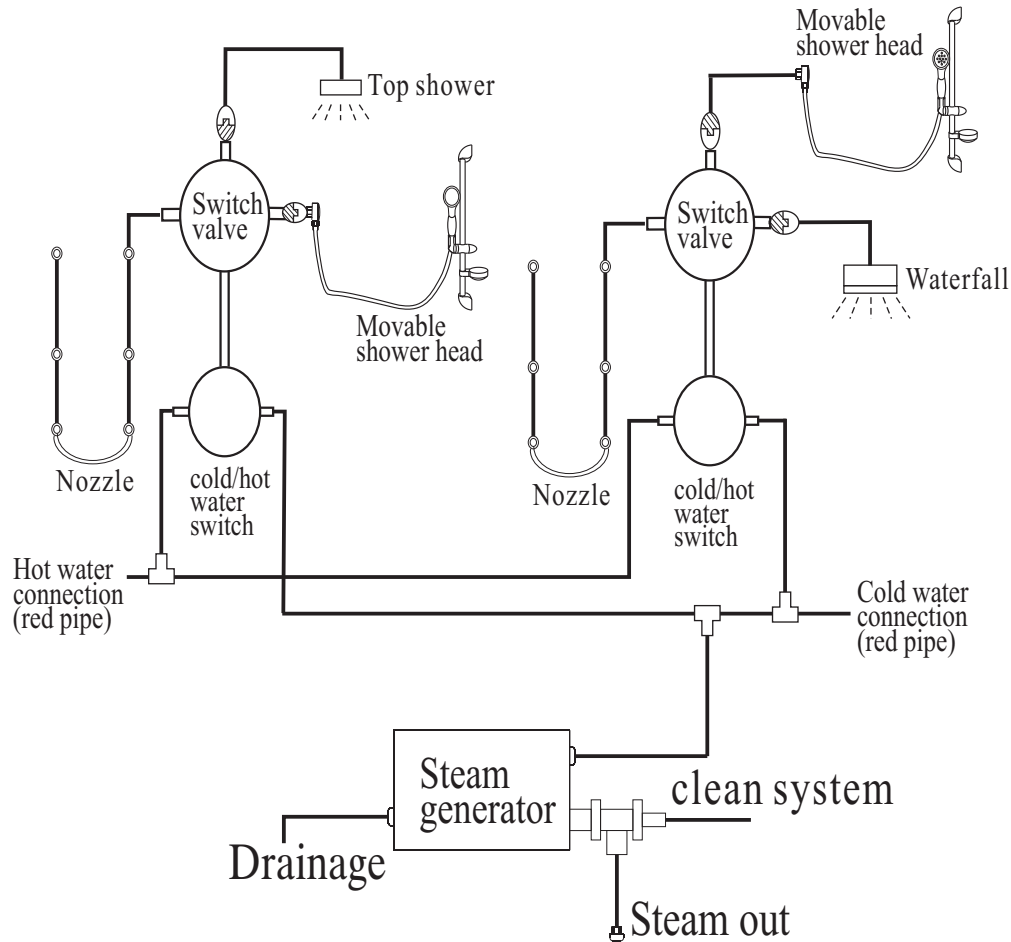
C. Sketch map of pipe connection (shown as the picture).

D. Assembly of spare parts (shower and so on)

After all spare parts have been installed well, put on the power supply and cold/hot water switch to check whether all functions work normally. If not, please install again.

## DRAWING OF WATER CONNECTION

As the “” “” from the picture, please make the connection according to the serial number v1, v2, etc.



## ELECTRIC CIRCUIT SKETCH

