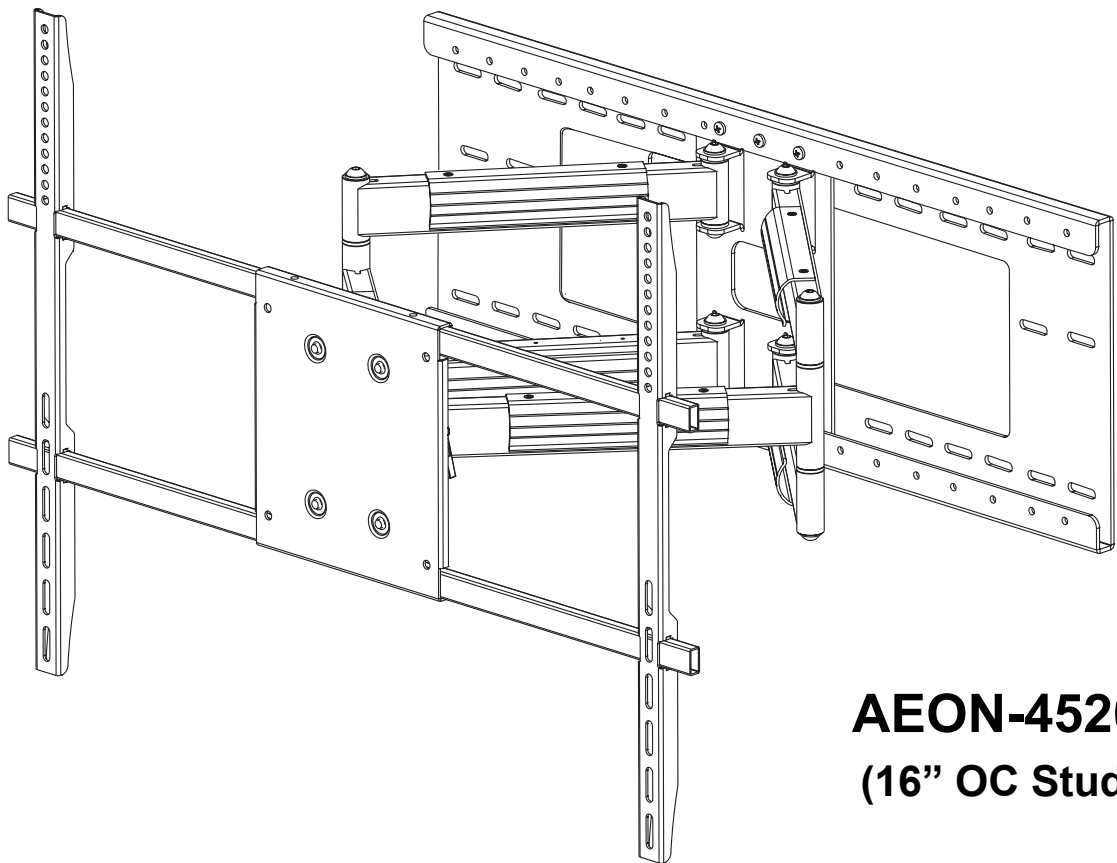


AEON-45200

AEON-45250

Full Motion TV Wall Mount with Long Extending Arm



AEON-45200
(16" OC Studs)

AEON-45250
(24" OC Studs)

Features :

- Designed for 42"-80" Flat panels
- VESA Compliant: Up to 800x600mm
- Maximum weight capacity up to 150 lbs
- Lift and lock for easy installation
- U-cap system for clean and simple cable management
- Up 5° and Down 15° of easy tilt
- Three pivot points with up to 180° swivel
- Horizontal movement feature allows for lateral shift

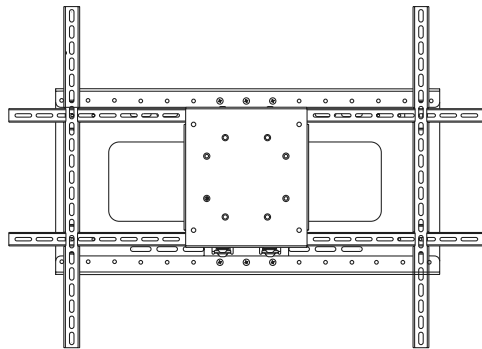
Installation Instructions

AEON
Stands & Mounts

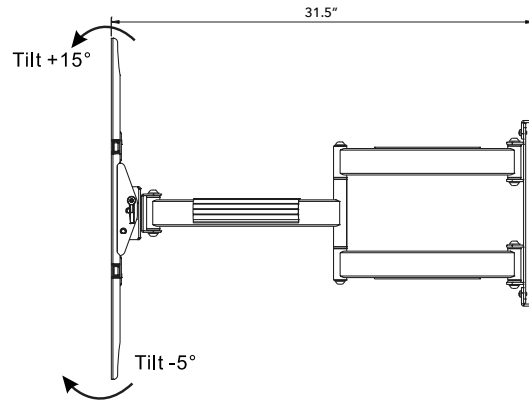
AEON-45200

AEON-45250

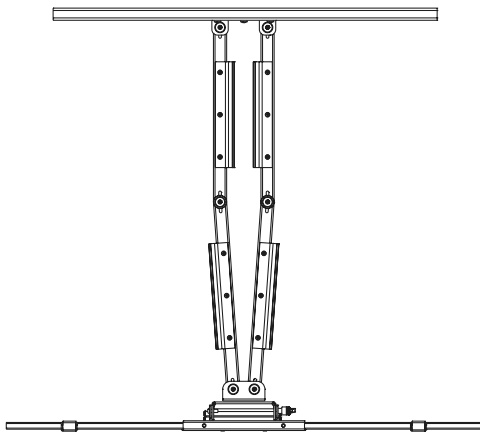
Full Motion TV Wall Mount with Long Extending Arm



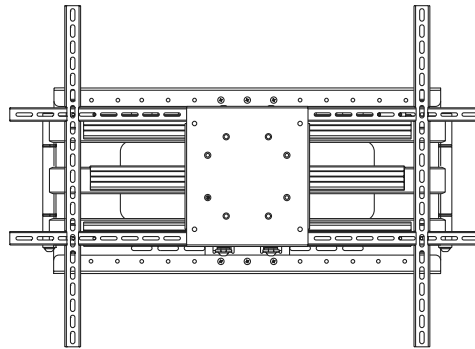
Front View



Right View



Top View



Front View
(Folds against wall)



Right View
(Folds against wall)

Features :

- Ideal for displays from 42" – 80" flat panel displays
- VESA Compliant: 200x200mm to 800x600mm
- 150 lbs (90.8 kg) max weight capacity
- Provides optimum viewing angles
- Offers 180° of swivel on wall
- Low profile design: folds against the wall
- Ball joint design at screen for easy side-to-side movement and +15°/-5° of tilt
- Extends 800mm(31.5")from the wall;
Retracts to 109.3mm(4.3") to save space
- Integrated cable management
- Includes hardware for installation to wood stud or concrete wall



AEON

TV Mounts - Stands - And More



WARNING

PLEASE NOTE: IMPROPER INSTALLATION WILL VOID WARRANTY.

Please do not begin installation until you have thoroughly read and understood these instructions. Improper installation may cause serious injury and/or damage. It is recommended that a qualified contractor install the AEON-45200 / AEON-45250 Full Motion Mount.

Make sure that the wall you plan to use will safely support four times the combined weight of the mounted equipment, including its accessories.

The AEON-45200 / AEON-45250 Full Motion Mount supports LCD and Plasma Flat Panel Displays from 42" to 80" and supports a maximum load of 90.8kg (150 lbs)

This products suits displays with 800mm x 600mm (48"x24") mounting hole patterns.

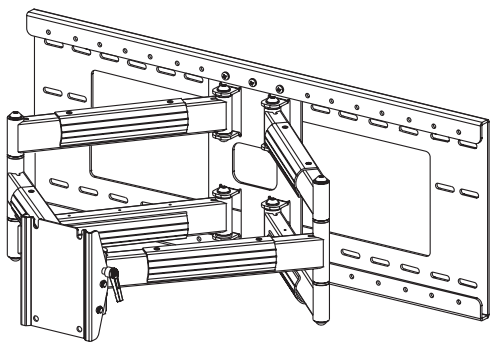
A second person will be required to assist with several steps.

The manufacturer does not accept responsibility for incorrect installation.

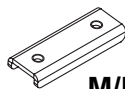
Tools Needed for Assembly

- Stud finder ("edge to edge" stud finder is recommended)
- Phillips screwdriver
- Pencil
- Hammer Drill(Concrete installation only), otherwise a standard drill
- 1/4" drill bit for wood studs, 1/2" drill bit for concrete
- 1/2" socket wrench or bit driver for wood screws
- Level
- Tape measure

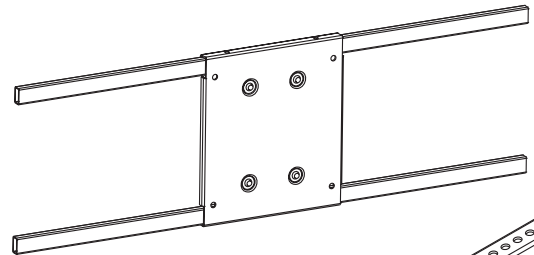
Component Checklist



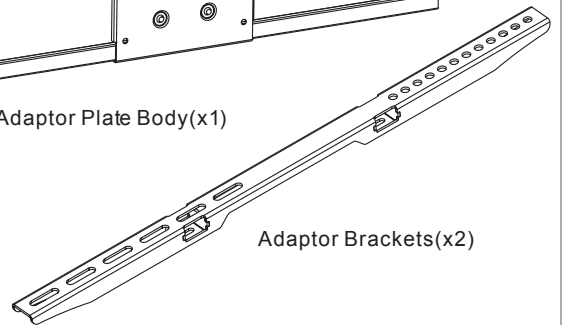
Mount Arm Assy(x1)



Slider Plate(x4)
M/N



Adaptor Plate Body(x1)



Adaptor Brackets(x2)

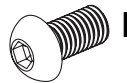
Bits Bag



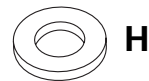
Lag Bolt
8*70mm(x4)



Metal Washer Ø6 (x8)



Socket Pan Head Screw
M8*12mm (x4)



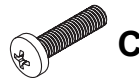
Metal Washer Ø8 (x8)



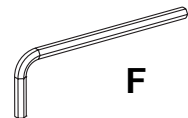
K
Anchor(x4)



J
Spacer (x4)



Phillips Head Screw
M6*15mm (x4)



F
5mm Allen Key (x1)

TV Mounting Screws(Cross Recess)



M5x16mm	(x4 each)-A
M6x16mm	(x4 each)-B
M8x35mm	(x4 each)-E
M8x9mm	(x4 each)-D

Step1 Mounting the mount arm assy

A. Mounting to Wood Studs 16" or 24"

The AEON-45200 / AEON-45250 Full Motion mount can be mounted onto two wooden studs, with center to center distances between 16" and 24". Using an electronic stud finder (Fig. 1), locate the center of the two wooden studs at the desired mounting location. Mark the stud center positions directly on the wall. Connect the stud marks with a horizontal line and find the center between them to represent where you wish the center of the screen to be located. Be sure to measure and mark the center of this horizontal line.



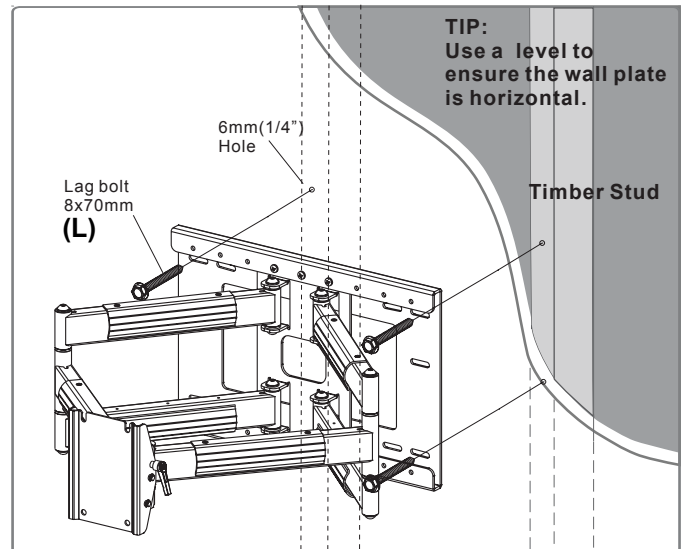
Fig.1

Place the wall plate on the wall, Pin the wall plate to the center mark on the wall. Using a level (bubble or laser), level the guide, and then press the adhesive backing against the wall to hold the guide in place.

Using a 1/4" (6 mm) drill bit, drill 4 pilot holes into the center of the studs (through the mounting hole cut-out sections of the template), down to a depth of 3" (76 mm).

NOTE:

Tighten lag bolts (L) so that wall plate is firmly attached to wall, but **DO NOT** overtighten. The lag bolts can be damaged by over tightening which will strip their threading. Final tightening of lag bolts should be done by hand using a ratchet wrench and socket.



TIP:
Use a level to ensure the wall plate is horizontal.

Timber Stud

6mm(1/4")
Hole

Lag bolt
8x70mm
(L)

B. Mounting to Concrete/Masonry

Place the wall plate on the wall, Pin the wall plate to the center mark on the wall. Using a level (bubble or laser), level the guide, and then press the adhesive backing against the wall to hold the guide in place.

Using a 1/2" (13 mm) masonry drill bit, drill 4 mounting holes 3 1/8" (80 mm) deep into the concrete/masonry surface.

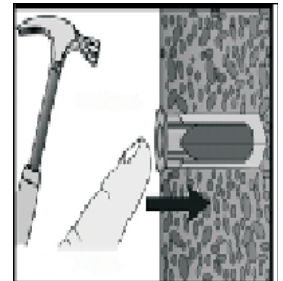
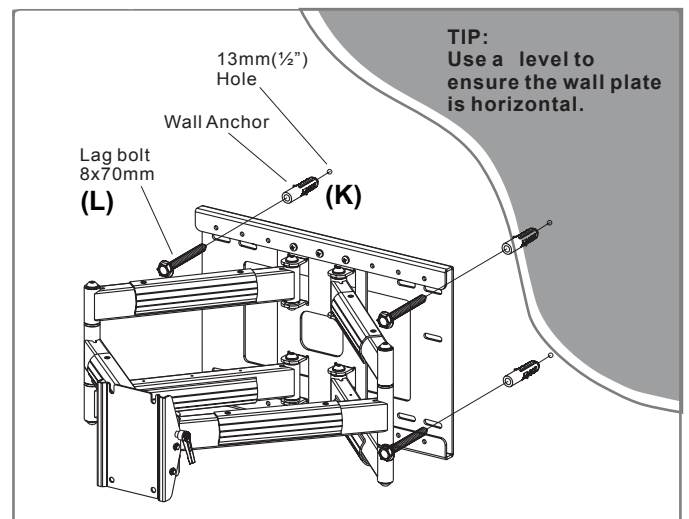


Fig.2

NOTE:

Tighten lag bolts (L) so that wall plate is firmly attached to wall, but **DO NOT** over tighten. The lag bolts can be damaged by over tightening which will strip their threading. Final tightening of lag bolts should be done by hand using a ratchet wrench and socket.



TIP:
Use a level to ensure the wall plate is horizontal.

13mm(1/2")
Hole

Wall Anchor

Lag bolt
8x70mm
(L)

(K)

Step 2 Assemble the Adaptor Plate

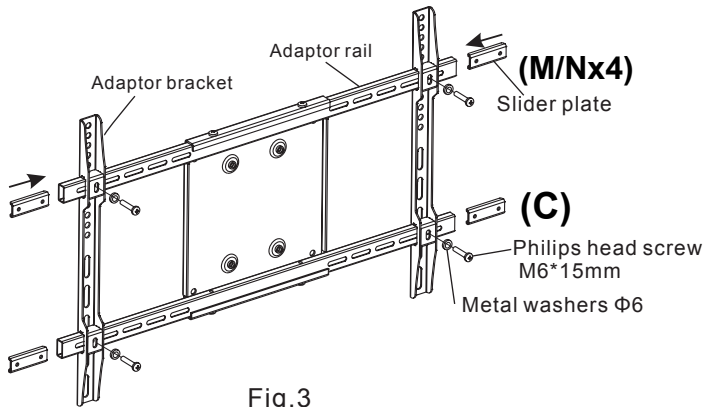
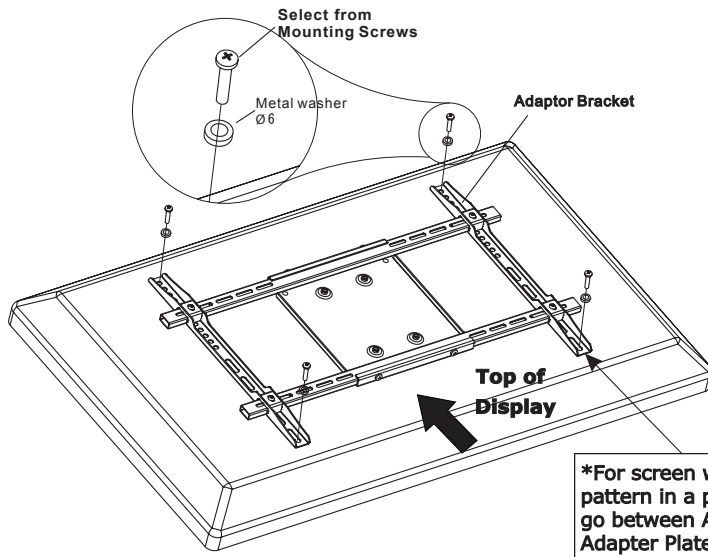


Fig. 3



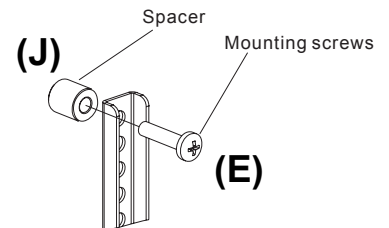
Insert Slider plate (M/Nx4) into adaptor rails, then insert the adaptor bracket into adaptor rail, fix adaptor bracket and slider plate with four philips head screw M6*15mm (C) and four metal washers Φ6 (G) using Philips headcrew driver as shown Fig.3.

Fixed the adaptor bracket onto the display with the selected mounting screws, square washers, and any required spacers.

Now slide the opposite mounting rail into position, align it with the mounting holes, and secure with the mounting hardware.

Note:
Recessed Mounting Holes. If the mounting holes are recessed into the back of the display, use the supplied spacers to pack the recessed hole. Ensure that the hook brackets are securely fixed to the display.

Caution:
 Make sure to use the correct length mounting screw for your TV. A screw that is too long might damage your TV. Hand tighten the mounting screw first to make sure it is the correct length.



Step 3 Attaching the display to the mount

BY HAND, insert two socket pan head screw M8*12mm (I) and metal washer Φ8mm (H) into threaded holes on the adaptor panel as shown Fig.4. Leave approximately 3/8" of exposed thread.

With the help of an assistant, carefully lift the display and attach it to the mount head cautiously.

Tighten the screws as shown Fig.5.

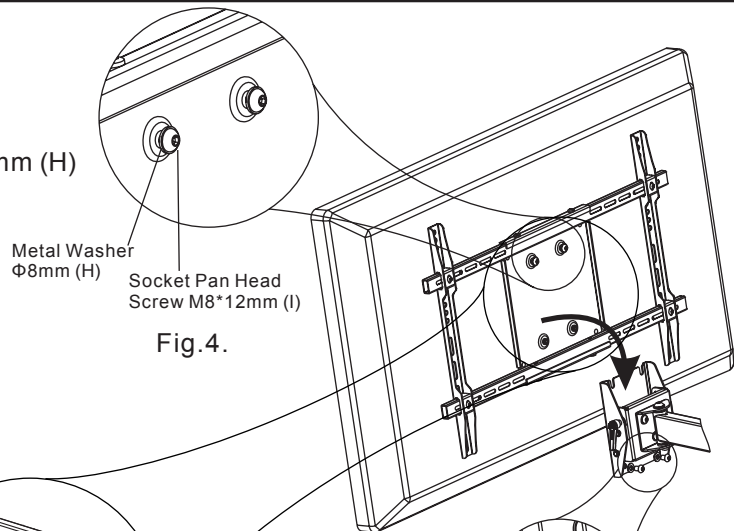


Fig.4.

NOTE:
 For those with a 200x200(mm) VESA pattern the adaptor plate will not be used, instead please affix your TV to the mount directly.

200x200mm

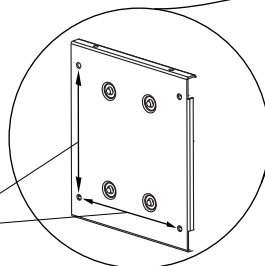
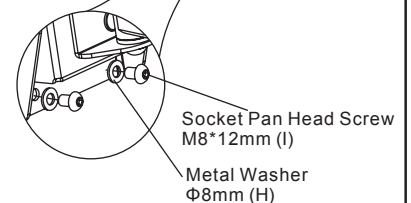


Fig.5.



Step 4 Using Cable Management

The AEON-45200 /AEON-45250 includes a cable management system where cable can be routed along the length of the arm assembly. Route the display cable along the entrance of the cable management slot.(Fig.6)

Note: For optimal performance, route the AC power cable separately form the signal cables.

With all cables in place, pull the display in and out to be certain that the arm assembly moves freely, without stretching or damaging the cables.

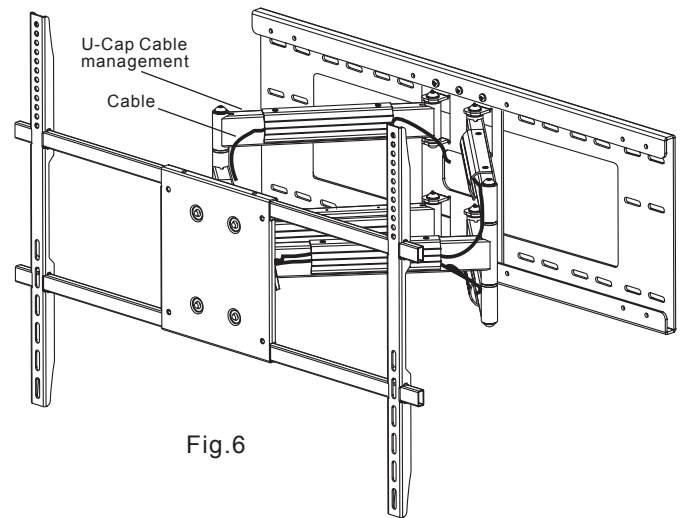


Fig.6

Step 5 Adjusting the Display

The AEON-45200 / AEON-45250 provides a wide range of adjustment possibilities to suit your environment.

RollControl - Horizontal leveling of the flat panel display.

Grasp the edge of the display and roll it up or down into a level position (Fig.7).

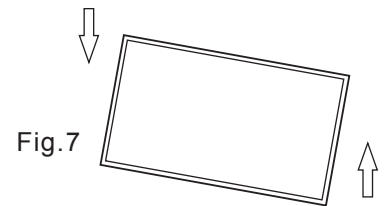


Fig.7

Tilt Adjustment - Raising or lowering the screen to improve viewing angle.

Grasp the upper and lower edges of the display, and then turn it to the desired tilt angle(Fig.8).

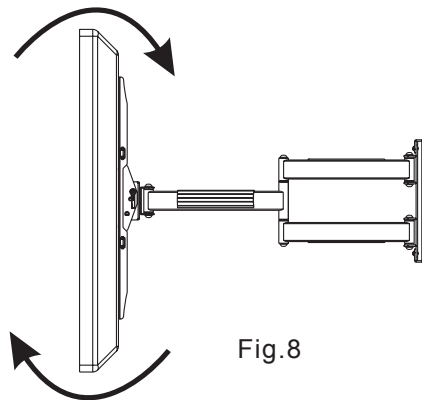


Fig.8

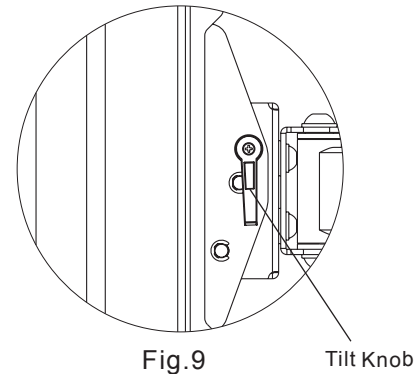


Fig.9

Tilt Knob

To lock the tilt angle, tighten the tilt knob (Fig.9) securely.

NOTE: For heavier displays, never fully release the tilt knob without fully supporting the display.

The tilt lever includes a ratchet function, so that it can be lifted and repositioned for the next turn. To operate the ratchet, pull the lever straight out, rotate it to an unobstructed position, release the lever, and then turn it in the desired direction. Repeat as necessary until the tilt tension is set properly (Fig.10)

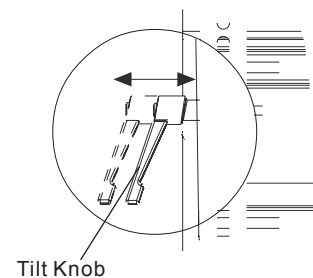


Fig.10

Tilt Knob

Step 5

Swivel - Adjust the flat panel display for off center viewing positions. Grasp the side edges of the display and then swivel display into its desired position (Fig. 11).

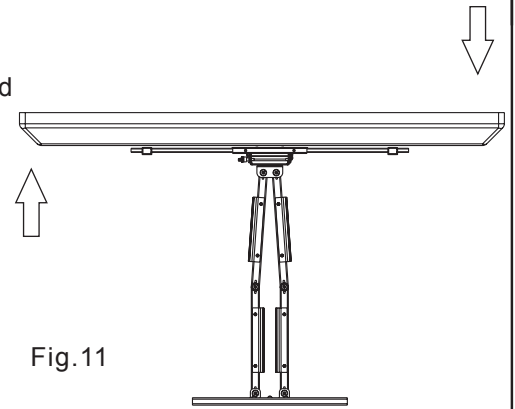


Fig.11

Panning - Positions the flat panel display at an angle to the wall for viewing from opposite sides of the room. Grasp the side edges of the display and then swivel and pull the display into desired position (Fig. 12).

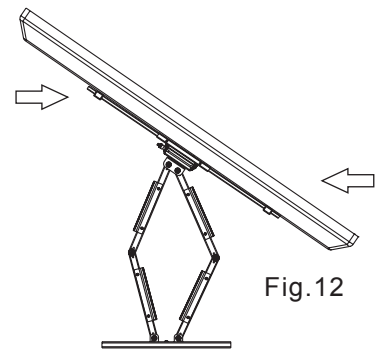


Fig.12

Retracting the Flat Panel Display - Positions the display against the wall.

Grasp the side edge of the display, swivel and pull the display into the center position (Fig. 13), and then gently push the display straight back towards the wall into the retracted position (Fig. 14).

Note: Use care when moving the display to ensure that cables do not become stretched or pinched.

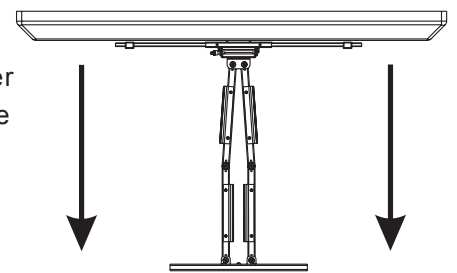


Fig.13



Fig.14

Maintaining the AEON-45200 / AEON-45250 Full Motion TV Wall Mount

The arm assembly and wall plate may be cleaned with a soft sponge and mild solution of soap and water.

Caution: Be sure not to get moisture on the electrical connections or the display.