



ENGLISH

ESPAÑOL

# INSTALLATION MANUAL ELECTRIC CONVECTION BUILT-IN OVEN

Please read these instructions thoroughly before installing and operating the oven.

LWS3081ST  
LWD3081ST

LWS3010ST  
LWD3010ST

LWS3063ST  
LWD3063ST

LSWS306ST  
LSWD306ST

LWS3063BD  
LWD3063BD



MFL51224802\_09

[www.lg.com](http://www.lg.com)

**1 BEFORE BEGINNING**

Remove all tape and packing materials before using the oven. Dispose of all plastic bags after unpacking the oven. Never allow children to play with packing materials.

You can download an installation manual at <http://www.lg.com>.

**IMPORTANT SAFETY INSTRUCTIONS**

Read and follow all instructions before using the oven to prevent the risk of fire, electric shock, injury to persons, or damage when using the oven. This guide does not cover all possible conditions that may occur. For further assistance contact the service agent or manufacturer.



This is the safety alert symbol. This symbol alerts you to potential hazards that can kill or hurt you and others. All safety messages will follow the safety alert symbol and either the word "WARNING" or "CAUTION". These words mean :

**WARNING**

This symbol will alert you to hazards or unsafe practices which could cause serious bodily harm or death.

**CAUTION**

This symbol will alert you to hazards or unsafe practices which could cause bodily injury or property damage.

**WARNING**

- **The information in this manual should be followed exactly.**
  - Failure to do so could result in fire or electrical shock, causing property damage, personal injury or death.
- **DO NOT put any weight on the oven door. Never allow anyone to climb, sit, stand or hang on the oven door.**
  - The oven could be tipped and injury might result from contact with hot food or the oven itself.
- **The electrical power must be shut off while the electrical connections are being made.**
  - Failure to do so can result in severe personal injury, death or electrical shock.
- **New branch-circuit installations (1996 NEC), mobile homes, recreational vehicles, or installations where local codes prohibit grounding through the neutral conductor require 4-wire branch-circuit connection.**
- **Improper connection of aluminum house wiring to copper leads can result in an electrical hazard or fire. Use only connectors designed for joining copper to aluminum and follow the manufacturer's recommended procedure closely.**
- **Mounting screws must be used.**
  - Failure to do so can result in the oven falling out of the cabinet causing serious injury.

**CAUTION**

- **Make sure the cabinets and wall coverings around the oven can withstand the temperature (up to 194°F[90°C]) generated by the oven.**
  - Discoloration, delamination or melting may occur.
- **DO NOT remove spacers on the side walls of the built-in oven.**
  - These spacers center the oven in the space provided. The oven must be centered to prevent excess heat buildup that may result in heat damage or fire.
- **DO NOT block the oven air exhaust located at the bottom of the oven.**
  - Blocking the exhaust may cause cabinet damage and product malfunction.

**IMPORTANT NOTE**

This installation must be completed by a qualified installer or technician.

- Please read the entire Installation Instructions prior to installation.
- Remove all packing materials from the oven compartments before connecting the electrical supply to the oven.
- Installer: please retain these instructions for local inspector's reference, then leave them with the consumer.
- Consumer: please read and keep these instructions for future reference and be sure to read the entire OWNER'S MANUAL prior to use.
- Do not use the parts except for provided components when you install the product.

**WARNING**

- **The information in this manual should be followed exactly.**

- Failure to do so could result in fire or electrical shock, causing property damage, personal injury or death.

**IMPORTANT NOTE**

Proper installation is the responsibility of the installer and product failure due to improper installation is NOT covered under warranty.

**WARNING**

- **DO NOT put any weight on the oven door. Never allow anyone to climb, sit, stand or hang on the oven door.**

- The oven could tip and injury might result from contact with hot food or the oven itself.

**WARNING**

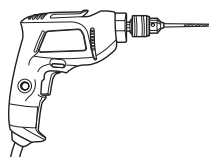
- **The electrical power must be shut off while the electrical connections are being made.**

- Failure to do so can result in severe personal injury, death or electrical shock.

**REQUIRED TOOLS**



Phillips Screwdriver



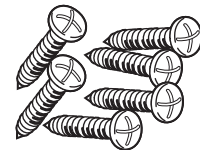
Drill

**MATERIALS INCLUDED**

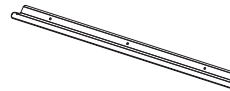
(For Model : LWS3081ST, LWD3081ST, LWS3010ST, LWD3010ST)



4X8  
6 Screws For  
Bottom Trim  
(3 needed for installation  
and 3 extra's)



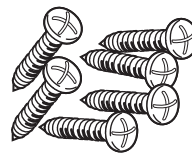
4X14  
6 Wood Screws  
For Mounting  
(4 needed for installation  
and 2 extra's)



30' (76.2 cm)  
Metal Bottom Trim

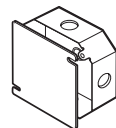
**MATERIALS INCLUDED**

(For Model : LWS3063ST, LWD3063ST, LWS306ST, LSWD306ST, LWS3063BD, LWD3063BD)

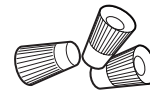


4X14  
6 Wood Screws  
For Mounting  
(4 needed for installation and  
2 extra's)

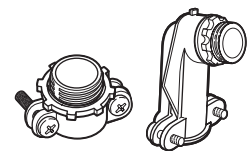
**MATERIALS NEEDED**



Junction Box



Wire Nuts



3/4" Conduit  
Connector



36" (91 cm)  
of String

## Part 2

# INSTALLATION REQUIREMENTS

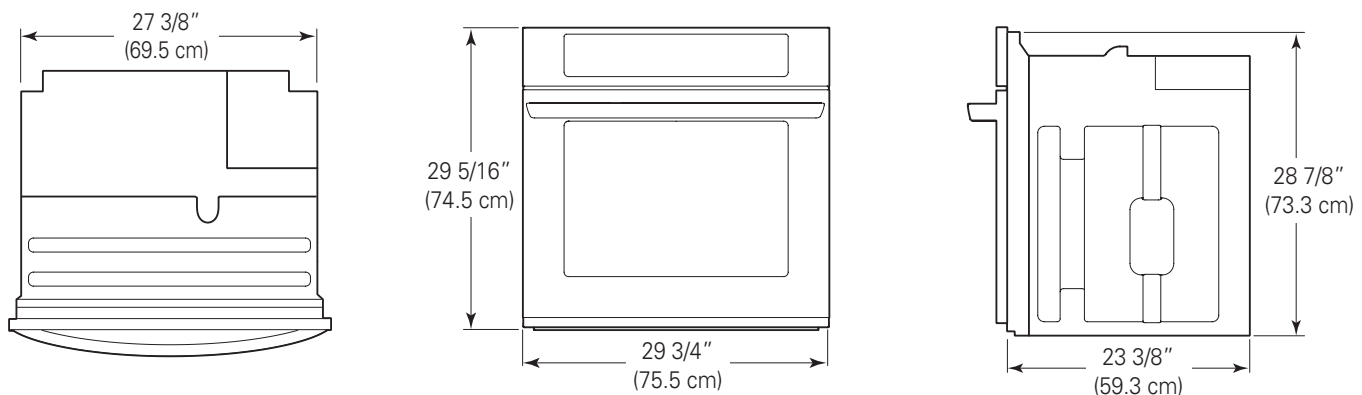
### 1 INSTALLATION DRAWINGS (FOR 30" SINGLE BUILT-IN OVEN)

The first step of the installation is measure the current cutout dimensions and compare them to the cutout dimensions shown below. Little or no cabinet work may be necessary.

#### IMPORTANT NOTE

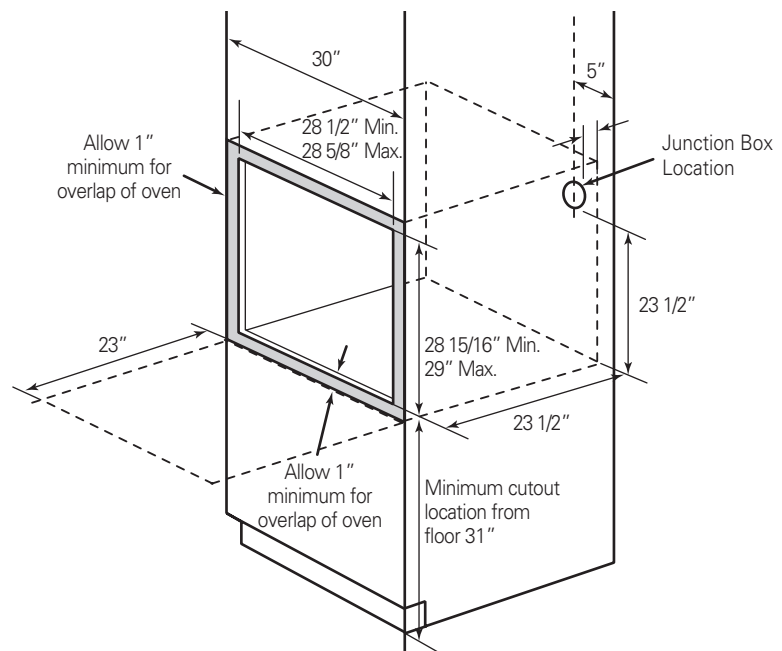
- The cabinet base platform must be able to support 190lbs (86kg). If the cabinet does not have a solid bottom, two braces or runners must be installed level with the bottom of the cutout to support the weight of the oven. Make sure the base is level and the front of the cabinet is square. If the cabinet base is not level, the oven glides will tend to slide out when opening the door.
- If marks, blemishes or the cutout opening are visible above the installed oven, it may be necessary to add wood shims under the runners and front trim until the marks or opening are covered.
- If the cabinet does not have a front frame and the sides are less than 3/4" (1.9 cm) thick, shim both sides equally to establish the cutout width.
- The junction box must be flush with the rear wall of the cabinet as shown below.
- Allow at least a 23" clearance for the door depth when it is open.
- Kitchen cabinets in contact with the oven must be heat resistant up to 194°F (90°C), and fronts of nearby units up to at least 158°F (70°C).

#### Product dimensions



#### Cutout dimensions

Cabinet Width	30" (762 mm)
Recommended Minimum Cutout Location from Floor	31" (787.4 mm)
Cutout Depth	23 1/2" Min. (596.9 mm)
Cutout Width	28 1/2" Min. (723.9 mm) 28 5/8" Max. (727 mm)
Cutout Height	28 15/16" Min. (735 mm) 29" Max. (736.6 mm)



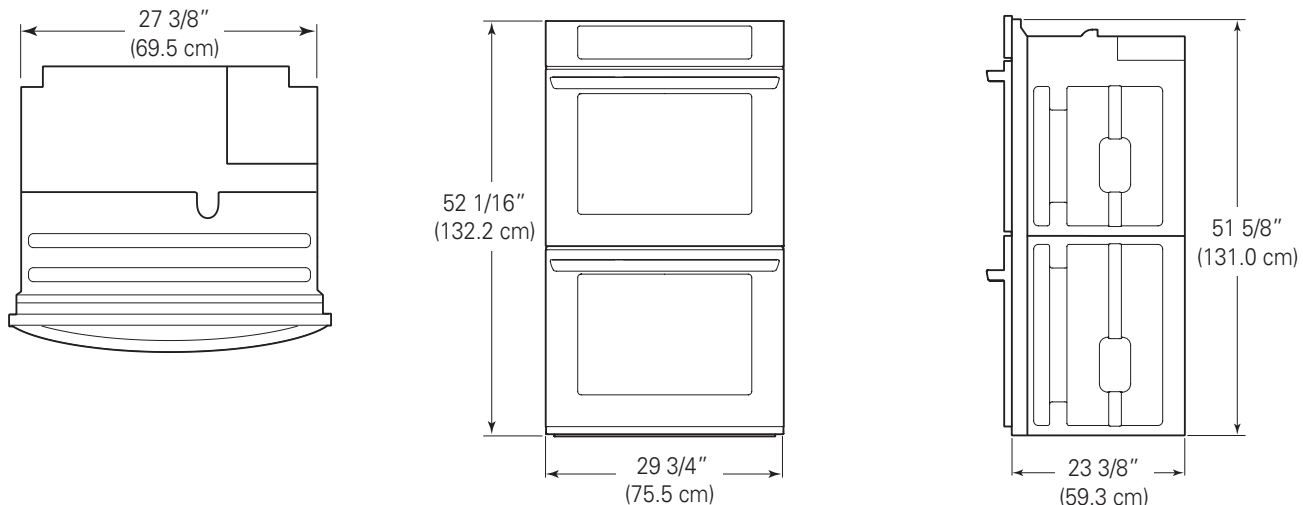
**2 INSTALLATION DRAWINGS (FOR 30" DOUBLE BUILT- IN OVEN)**

The first step of the installation is measure the current cutout dimensions and compare them to the cutout dimensions shown below. Little or no cabinet work may be necessary.

**IMPORTANT NOTE**

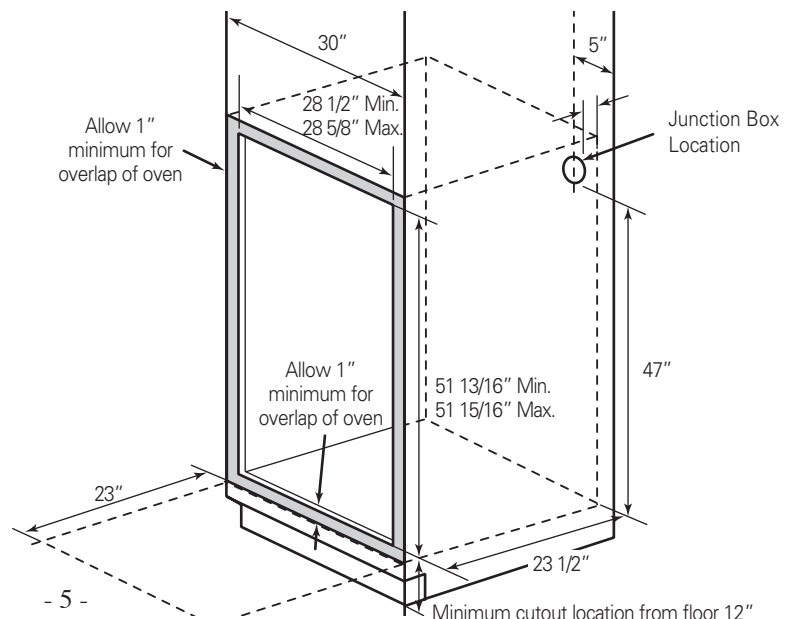
- The cabinet base platform must be able to support 325lbs (147kg). If the cabinet does not have a solid bottom, two braces or runners must be installed level with the bottom of the cutout to support the weight of the oven. Make sure the base is level and the front of the cabinet is square. If the cabinet base is not level, the oven glides will tend to slide out when opening the door.
- If marks, blemishes or the cutout opening are visible above the installed oven, it may be necessary to add wood shims under the runners and front trim until the marks or opening are covered.
- If the cabinet does not have a front frame and the sides are less than 3/4" (1.9 cm) thick, shim both sides equally to establish the cutout width.
- The junction box must be flush with the rear wall of the cabinet as shown below.
- Allow at least a 23" clearance for the door depth when it is open.
- Kitchen cabinets in contact with the oven must be heat resistant up to 194°F (90°C), and fronts of nearby units up to at least 158°F (70°C).

**Product dimensions**



**Cutout dimensions**

Cabinet Width	30" (762 mm)
Recommended Minimum Cutout Location from Floor	12" (304.8 mm)
Cutout Depth	23 1/2" Min. (596.9 mm)
Cutout Width	28 1/2" Min. (723.9 mm) 28 5/8" Max. (727 mm)
Cutout Height	51 13/16" Min. (1316 mm) 51 15/16" Max. (1319.2 mm)



## Part 2

# INSTALLATION REQUIREMENTS

### 3 INSTALLATION DRAWINGS (FOR 30" SINGLE BUILT-IN OVEN UNDERCOUNTER)

The first step of the installation is measure the current cutout dimensions and compare them to the cutout dimensions shown below. Little or no cabinet work may be necessary.

#### IMPORTANT NOTE

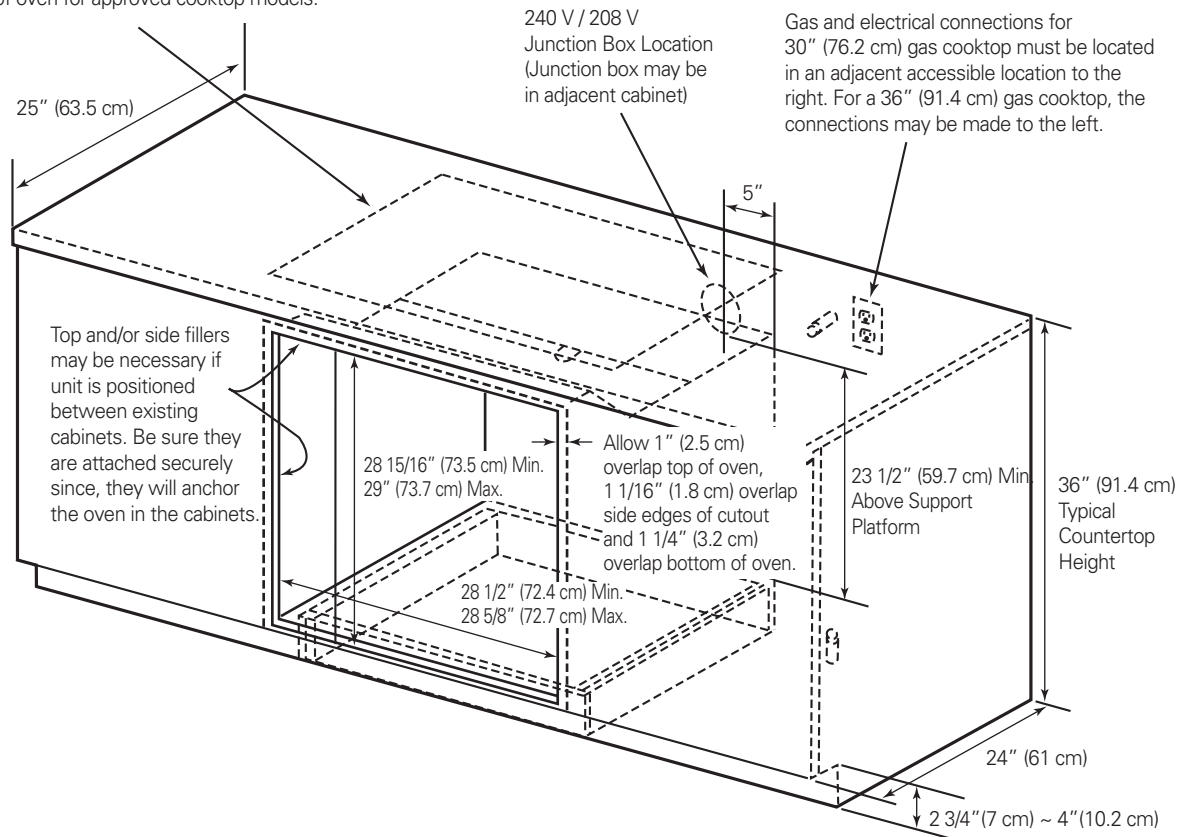
- The cabinet base platform must be able to support 190lbs (86kg). If the cabinet does not have a solid bottom, two braces or runners must be installed level with the bottom of the cutout to support the weight of the oven. Make sure the base is level and the front of the cabinet is square. If the cabinet base is not level, the oven glides will tend to slide out when opening the door.
- If marks, blemishes or the cutout opening are visible above the installed oven, it may be necessary to add wood shims under the runners and front trim until the marks or opening are covered.
- If the cabinet does not have a front frame and the sides are less than 3/4" (1.9 cm) thick, shim both sides equally to establish the cutout width.
- The junction box must be flush with the rear wall of the cabinet as shown below.
- This oven is only approved to be installed under the specific models as labeled on this unit.
- Kitchen cabinets in contact with the oven must be heat resistant up to 194°F (90°C), and fronts of nearby units up to at least 158°F (70°C).

#### Product dimensions

Dimensions are the same as the single built-in oven on page 4.

#### Cutout dimensions

Gas or electric cooktops may be installed over this oven.  
See cooktop installation instructions for cutout size.  
See label on top of oven for approved cooktop models.



## Part 2

# INSTALLATION REQUIREMENTS

ENGLISH

### 4 PREPARATION FOR MOVING THE OVEN

The second step of the installation is to remove any packing material from the oven before installing the oven.

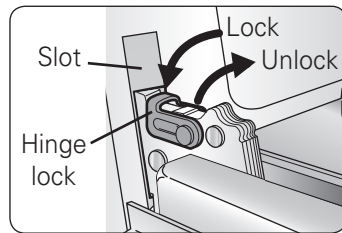
1. Remove all tape from around the oven.
2. Open the oven door and remove packaging materials and oven racks inside the oven.
3. Door removal is not a requirement for installation of the oven, but is an added convenience.  
To remove the door, follow the steps below.

#### Step. 1

Fully open the door.

#### Step. 2

Pull the hinge locks up towards the door's frame, to the unlocked position.

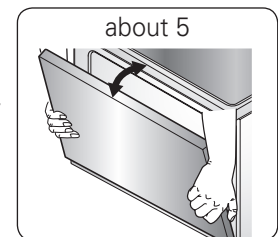


#### Step. 3

Firmly grasp both sides of the door at the top.

#### Step. 4

Close door to the door removal position, which is approximately 5 degrees.



#### Step. 5

Lift door up and out until the hinge arm is clear of the slot.

4. Place the oven on a table or platform even with the cutout opening. (The table or platform must support **190 lbs [86 Kg] for a single built-in oven, 325 lbs [147 Kg] for a double built-in oven.**)
5. Remove the metal bottom trim from the oven. It will be installed at the end of the installation process. The trim is wrapped separately and taped to the top of the unit.

#### CAUTION

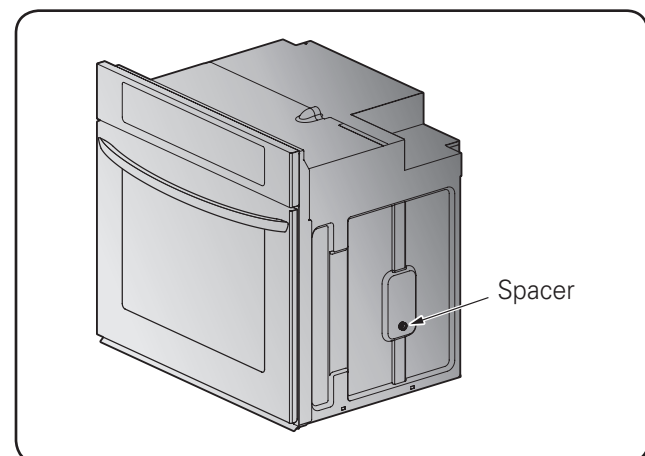
- **Make sure the cabinets and wall coverings around the oven can withstand the temperature (up to 194 °F [90 °C]) generated by the oven.**  
- Discoloration, delamination or melting may occur.

#### CAUTION

- **DO NOT remove spacers on the side walls of the built-in oven.**  
- These spacers center the oven in the space provided. The oven must be centered to prevent excess heat buildup that may result in heat damage or fire.

#### IMPORTANT NOTE

- Do not lift the door by the handle. The oven door is very heavy. Firmly grasp the door by the sides before lifting it off the hinges.
- Do not lay the oven door on its handle. Doing so may cause dents or scratches.
- Use two or more people to lift or move the oven into the cabinet opening. Use caution when lifting the oven and wear gloves to protect hands from any sharp edges. Failure to follow these instructions may result in injury.



**1 ELECTRICAL CONNECTION REQUIREMENTS**

The third step of the installation is to follow the electrical connection requirements below. Ensure that dedicated circuit protection is prepared as recommended and that the oven is grounded properly.

**IMPORTANT NOTE**

- Be sure the wall oven is installed and grounded properly by a qualified installer or service technician.
- This wall oven must be electrically grounded in accordance with local codes or, in their absence, with the National Electrical Code ANSI/NFPA No.70- latest edition\* in United States, or with CSA Standard C22.1-1982 and C22.2 No.01982 (or latest edition)\*\*, Canadian Electrical Code, Part1, and all local codes and ordinances.
  - This wall oven must be supplied with the proper voltage and frequency, and connected to an individual, properly grounded branch circuit, protected by a circuit breaker or fuse. To know the circuit breaker or fuse required by this model, see the rating plate to find the wattage consumption and refer to the table below to get the circuit breaker or fuse amperage.

Appliance Rating Watts 240 V	Protection Circuit recommended	Appliance Rating Watts 208 V	Protection Circuit recommended
less than 4800 W	20 A	less than 4100 W	20 A
4800 W - 7200 W	30 A	4100 W - 6200 W	30 A
7200 W - 9600 W	40 A	6200 W - 8300 W	40 A
9600 and +	50 A	8300 and +	50 A

- A double wall oven can consume up to 7,800 W at 240 VAC.  
A 40 Amp circuit breaker with wire gauge #8 AWG must be used.
- A single wall oven can consume up to 4,100 W at 240 VAC.  
A 30 Amp circuit breaker with wire gauge at least #10 AWG must be used.

**IMPORTANT NOTE**

- Do Not ground to a gas pipe.
- Do Not have a fuse in the neutral or grounding circuit.
- A U.L.-listed conduit connector must be provided at the junction box.

**⚠ WARNING**

- **New branch-circuit installations (1996 NEC), mobile homes, recreational vehicles, or installations where local codes prohibit grounding through the neutral conductor require 4-wire branch-circuit connection.**

**⚠ WARNING**

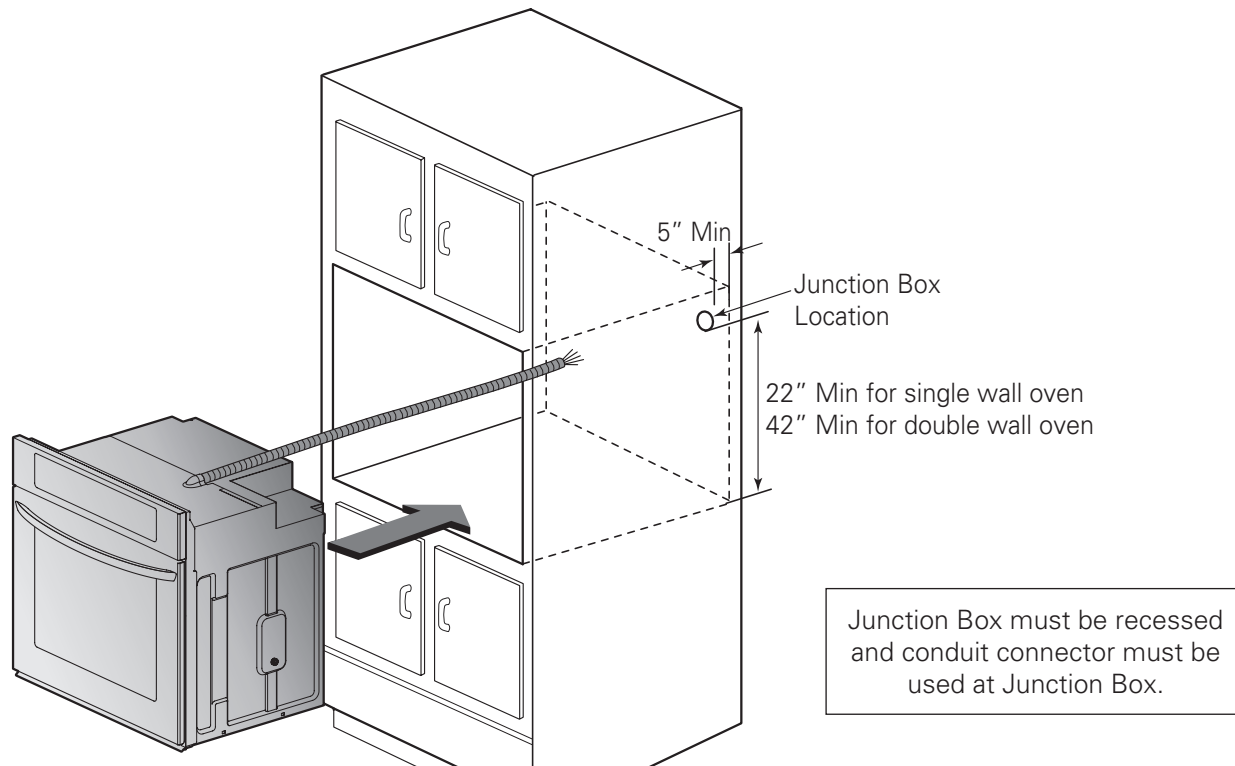
- **Improper connection of aluminum house wiring to copper leads can result in an electrical hazard or fire. Use only connectors designed for joining copper to aluminum and follow the manufacturer’s recommended procedure closely.**



## 2 ELECTRICAL CONNECTION

The fourth step of the installation is to prepare the electrical connection as follows:

1. Turn off the circuit breaker or remove fuses to the oven branch circuit.
2. With the oven positioned directly in front of the cabinet opening, connect the flexible conduit to the electrical junction box as shown below. Position the conduit in such a manner that it will lie on top of the oven in a natural loop when the oven is installed.



3. If local codes permit connection of the frame grounding conductor to the neutral(white) wire, follow the instructions for a 3-wire circuit connection on page 10.

If used in mobile homes or new construction, or a recreational vehicle, or local codes do not permit connection of the frame grounding conductor to the neutral(white) wire, follow the instructions for a 4-wire circuit connection on page 10.

### IMPORTANT NOTE

- The wall ovens must be hard wired (direct wired) into an approved junction box. A plug and receptacle is not permitted on these products.
- DO NOT shorten the flexible conduit. The conduit connector must be securely attached to the junction box and the flexible conduit must be securely attached to the conduit connector. If the flexible conduit will not fit within the connector, do not install the oven until a connector of the proper size is obtained.

### NOTE TO ELECTRICIAN

The power leads supplied with the appliance are UL, CSA recognized for connection to larger gauge household wiring. The insulation of these leads is rated at temperatures much higher than the temperature rating of household wiring. The current carrying capacity of the conductor is governed by the wire gauge and the temperature rating of the insulation around the wire.

## Part 3

# ELECTRICAL CONNECTIONS

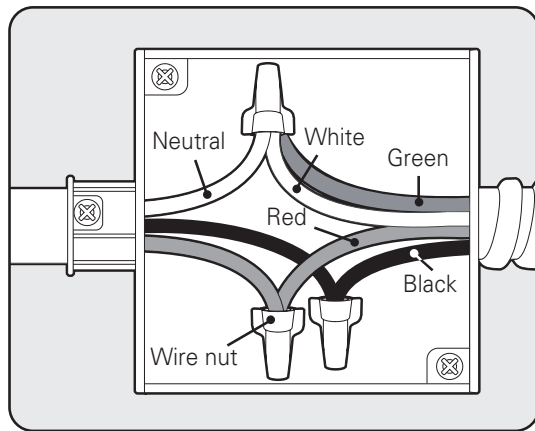
### IMPORTANT NOTE

- You will need to purchase an appropriate conduit connector to complete the connection of the conduit to the junction box.

### 3-wire circuit connection

To connect to a three-wire circuit, follow these steps:

1. Connect the oven ground (green) wire and neutral (white) wire to the branch circuit neutral (white or gray in color) wire, using a wire nut.
2. Connect the oven red wire to the branch circuit red (L2) wire in accordance with local codes, using a wire nut.
3. Connect the oven black wire to the branch circuit black (L1) wire in accordance with local codes, using a wire nut. If the residence red, black or white wires are aluminum conductors, see WARNING on page 8.
4. Install the junction box cover.

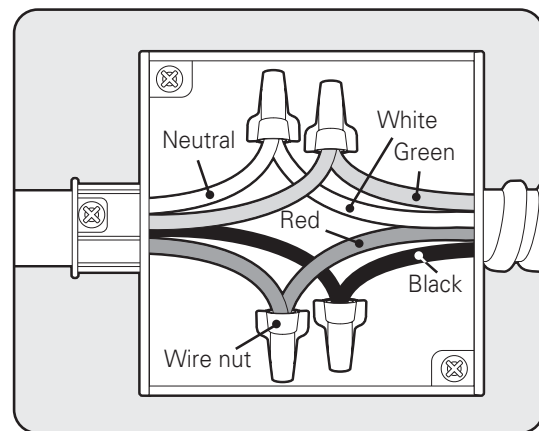


Junction Box

### 4-wire circuit connection

To connect to a four-wire circuit, follow these steps:

1. Separate the oven ground and white wires if necessary.
2. Connect the oven ground (green) wire to the branch circuit ground (green) wire in accordance with local codes, using a wire nut. If the residence red, black or white wires are aluminum conductors, see WARNING on page 8.
3. Connect the oven white wire to the branch circuit neutral (white or gray in color) wire in accordance with local codes, using a wire nut.
4. Connect the oven red wire to the branch circuit red (L2) wire in accordance with local codes, using a wire nut.
5. Connect the oven black wire to the branch circuit black (L1) wire in accordance with local codes, using a wire nut. If the residence red, black or white wires are aluminum conductors, see WARNING on page 8.
6. Install the junction box cover.



Junction Box

**1 CABINET INSTALLATION**

The fifth step of the installation is to install the oven into the cabinet as follows:

1. Sliding the oven into the opening.
  - a. Loop (do not tie) a 36" (91 cm) string around the conduit before the oven is slid into place. This will keep the conduit from falling behind the oven.
  - b. Lift oven into cabinet cutout using the oven opening as a grip. Carefully push against the oven front frame. Do not push against outside edges.
  - c. While sliding the oven back, pull the string so that the conduit lies on the top of the oven in a natural loop.
  - d. When you are sure the conduit is out of the way, slide the oven 3/4 way back into the opening. Remove the string by pulling on one end of the loop.

**CAUTION**

- **DO NOT block the oven air exhaust located at the bottom of the oven.**
- Blocking the exhaust may cause cabinet damage and product malfunction.

**WARNING**

- **Mounting screws must be used.**
- Failure to do so can result in the oven falling out of the cabinet causing serious injury.

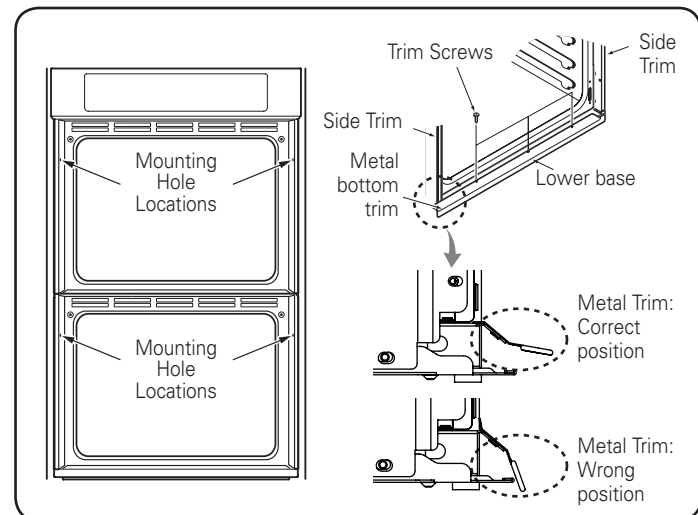
2. Securing the oven.
  - a. Using the mounting holes on the oven side trim as a guide, drill pilot holes for screws provided (For securing the double wall oven, use a minimum of 4 screws, one on each side in both the upper and lower ovens. For securing the single wall oven, use a minimum of 2 screws, one on each side.)
  - b. Secure the oven to the cabinet with screws provided.
 

If the cabinet is particle board, you must use 3/4" particle board screws. These may be purchased at any hardware store.
3. Installing the metal bottom trim.
 

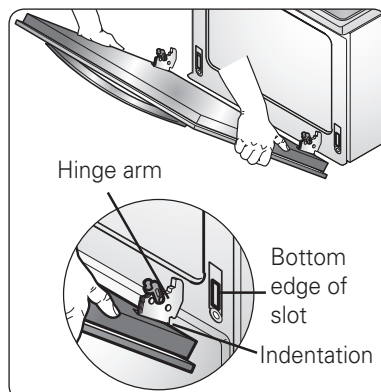
(For model : LWS3081ST, LWD3081ST, LWS3010ST, LWD3010ST)

  - a. Place the metal bottom trim centered over the pre-drilled mounting holes on the lower base.
  - b. Using 3 screws provided, secure the bottom trim to the bottom edge of the cabinet.
4. Reinstalling the oven door.
 

(For model : LWS3081ST, LWD3081ST, LWS3010ST, LWD3010ST)

**Step. 1**

Firmly grasp both sides of the door at the top.

**Step. 2**

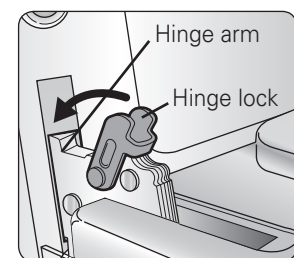
With the door at the same angle as the removal position, seat the indentation of the hinge arm into the bottom edge of the hinge slot. The notch in the hinge arm must be fully seated into the bottom of the slot.

**Step. 3**

Fully open the door. If the door will not fully open, the indentation is not seated correctly in the bottom edge of the slot.

**Step. 4**

Push the hinge locks up against the front frame of the oven cavity to the locked position.

**Step. 5**

Close the oven door.

## 1 CHECKING OPERATION

Each of the functions has been factory checked before shipping. However, it is suggested that you verify the operation of the oven once more. Refer to the Owner's Manual. Follow the instructions for the basic check.

1. Turn on power supply. The initial signal sound is heard and the LG logo appears in the display.
2. Check the operation of the broil mode. When the oven is set to broil, the upper element in the oven should become red. After a few minutes, partially open the oven door. You should feel heat from the oven. Press CLEAR/OFF (for model : LWS3081ST, LWD3081ST, LWS3010ST, LWD3010ST, LWS3063ST, LWD3063ST, LWS3063BD, LWD3063BD) or adjust the oven mode knob to OFF position (for model : LSWS306ST, LSWD306ST)
3. Check the operation of the bake mode. After setting the oven to 350 °F / 177 °C for baking, the temperature of the oven in the display should increase. Press CLEAR/OFF (for model : LWS3081ST, LWD3081ST, LWS3010ST, LWD3010ST, LWS3063ST, LWD3063ST, LWS3063BD, LWD3063BD) or adjust the oven mode knob to OFF position (for model : LSWS306ST, LSWD306ST)
4. Check the operation of the convection bake mode. After setting the oven to 350 °F / 177 °C for convection baking, the fan inside the oven should come on with the door closed. Press CLEAR/OFF (for model : LWS3081ST, LWD3081ST, LWS3010ST, LWD3010ST, LWS3063ST, LWD3063ST, LWS3063BD, LWD3063BD) or adjust the oven mode knob to OFF position (for model : LSWS306ST, LSWD306ST)
5. Turn on and off the oven light to check the lights are in normal condition.
6. Check the operation of the burner for each convection mode. After setting the oven to 350 °F / 177 °C for each convection mode, the back element should light up and the fan inside the oven should come on with door closed. (for model : LWS3081ST, LWD3081ST, LWS3010ST, LWD3010ST)

## IMPORTANT NOTE

- A small amount of smoke and odor may be noticeable during the initial break-in period.
- If the oven does not operate properly or an F-, followed by a number, appears in the display, see the Owner's Manual for the troubleshooting list. The list includes common occurrences that are not the result of defective workmanship or materials in this product. If the problem occurs continuously, contact the dealer.
- Refer to the warranty in the Owner's Manual for the LG toll-free service number and address.



ESPAÑOL

# MANUAL DE INSTALACIÓN HORNO ELÉCTRICO DE CONVECCIÓN EMPOTRADO

Tenga a bien leer estas instrucciones por completo antes de instalar y operar el horno.

LWS3081ST  
LWD3081ST

LWS3010ST  
LWD3010ST

LWS3063ST  
LWD3063ST

LSWS306ST  
LSWD306ST

LWS3063BD  
LWD3063BD

## 1 ANTES DE COMENZAR

Quite toda la cinta y materiales de empaque antes de utilizar el horno. Deseche todas las bolsas plásticas después de desempacar el horno. Nunca permita que los niños jueguen con los materiales de empaque.

Usted puede descargar el manual de instalación en <http://www.lg.com>.

## INSTRUCCIONES IMPORTANTES DE SEGURIDAD

Lea y siga todas las instrucciones antes de utilizar su horno para evitar un riesgo de incendio, descarga eléctrica, lesiones a personas o daños cuando utilice el horno. Esta guía no cubre todas las condiciones posibles que pueden ocurrir. Para más información, comuníquese con su agente de servicios o fabricante.



Este es el símbolo de alerta de seguridad. Este símbolo lo alerta sobre peligros potenciales que pueden matarlo a lastimarlo a usted o a otros. Todos los mensajes de seguridad se encontrarán después de los símbolos de alerta de seguridad y de las palabras "ADVERTENCIA" O "PRECAUCIÓN". Estas palabras significan:



### ADVERTENCIA

Este símbolo lo alerta sobre riesgos o prácticas poco seguras que podrían provocar heridas corporales graves o la muerte.



### PRECAUCIÓN

Este símbolo lo alerta sobre riesgos o prácticas poco seguras que podrían provocar lesiones corporales graves o daños a la propiedad.



### ADVERTENCIA

- **La información de este manual debe seguirse al pie de la letra.**
  - De no hacerlo, podría provocar un incendio o una descarga eléctrica, causando daños a la propiedad, lesiones personales o la muerte.
- **NO coloque elementos pesados sobre la puerta del horno. Nunca permita que nadie se suba, siente, pare o cuelgue de la puerta del horno.**
  - El horno puede volcarse y podrían generarse lesiones provocadas por los alimentos calientes o el horno.
- **La energía eléctrica debe apagarse mientras se efectúan las conexiones eléctricas.**
  - No hacerlo puede provocar lesiones personales graves, la muerte o una descarga eléctrica.
- **Las instalaciones nuevas de circuito derivado (1996 NEC), las casas rodantes, los vehículos recreativos o las instalaciones en las que los códigos locales prohíben la conexión a tierra a través de un conductor neutral requieren una conexión de circuito derivado de 4 hilos.**
- **Una conexión inadecuada de cableado doméstico de aluminio con cables de cobre puede generar un riesgo eléctrico o un incendio. Sólo use conectores diseñados para unir cobre con aluminio y siga al pie de la letra el procedimiento recomendado del fabricante.**
- **Deben utilizarse tornillos de montaje.**
  - Si no se hace, el horno puede caer del gabinete, lo que provocaría una lesión grave.



### PRECAUCIÓN

- **Verifique que los gabinetes y los revestimientos de las paredes ubicados alrededor del horno puedan soportar la temperatura (hasta 194°F [90°C]) generada por el horno.**
  - Puede provocarse decoloración, delaminación o fusión.
- **NO quite los espaciadores de las paredes laterales del horno empotrado.**
  - Estos espaciadores centran el horno en el espacio provisto. El horno debe centrarse para evitar una acumulación excesiva de calor que puede provocar daños o un incendio.
- **NO bloquee la salida de aire del horno ubicada en la parte inferior del horno.**
  - Bloquear la salida puede provocar daños en el gabinete y el mal funcionamiento del producto.

**NOTA IMPORTANTE**

Esta instalación debe completarla un instalador o técnico calificado.

- Tenga a bien leer la totalidad de las Instrucciones de instalación antes de efectuar la instalación.
- Quite todo el material de empaque de los compartimentos del horno antes de conectar el suministro eléctrico del horno.
- Instalador: Conserve estas instrucciones para referencia del inspector local, luego déjelas con el consumidor.
- Consumidor: Lea y conserve estas instrucciones para referencia futura y asegúrese de leer todo el MANUAL DEL PROPIETARIO antes del uso.
- No utilice partes que no sean los componentes provistos cuando instale el producto.

**⚠ ADVERTENCIA**

• **La información de este manual debe seguirse al pie de la letra.**

- De no hacerlo, podría provocar un incendio o una descarga eléctrica, causando daños a la propiedad, lesiones personales o la muerte.

**NOTA IMPORTANTE**

Una instalación adecuada es responsabilidad del instalador y la garantía NO cubre las fallas del producto debido a una instalación incorrecta.

**⚠ ADVERTENCIA**

• **NO coloque elementos pesados sobre la puerta del horno. Nunca permita que nadie se suba, siente, pare o cuelgue de la puerta del horno.**

- El horno puede volcarse y podrían generarse lesiones provocadas por los alimentos o el horno.

**⚠ ADVERTENCIA**

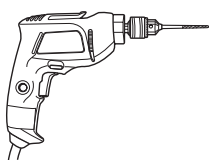
• **La energía eléctrica debe apagarse mientras se efectúan las conexiones eléctricas.**

- No hacerlo puede provocar lesiones personales graves, la muerte o una descarga eléctrica.

**PREPARACIÓN PARA INSTALAR EL HORNO**



Destornillador Phillips



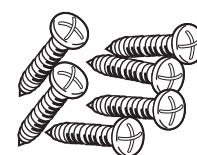
Perforadora

**PREPARACIÓN PARA INSTALAR EL HORNO**

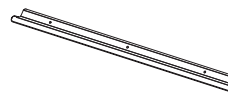
(Para el modelo : LWS3081ST, LWD3081ST, LWS3010ST, LWD3010ST)



4X8  
6 tornillos para el reborde inferior (3 necesarios para la instalación y 3 extra)



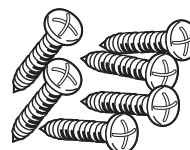
4X14  
6 tornillos de madera para el montaje (4 necesarios para la instalación y 2 extra)



30" (76.2 cm)  
Reborde inferior de metal

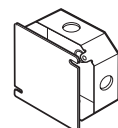
**PREPARACIÓN PARA INSTALAR EL HORNO**

(Para el modelo : LWS3063ST, LWD3063ST, LSWS306ST, LSWD306ST, LWS3063BD, LWD3063BD)



4X14  
6 tornillos de madera para el montaje (4 necesarios para la instalación y 2 extra)

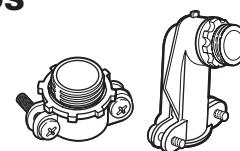
**MATERIALES NECESARIOS**



Caja de conexiones



Tapones de alambre



Conector de conducto de 3/4"



36" (91 cm) de hilo

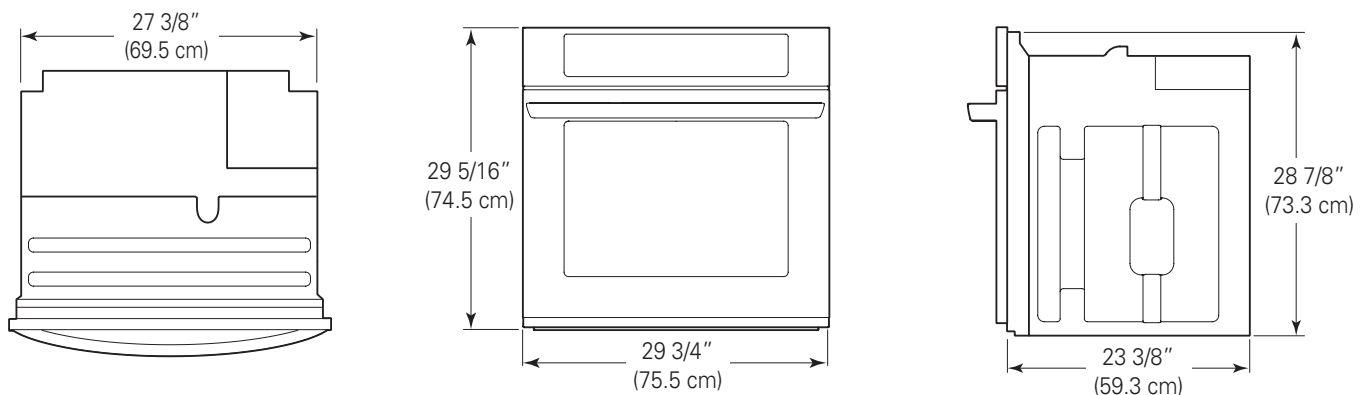
**1 DIBUJOS DE INSTALACIÓN (PARA HORNO SIMPLE EMPOTRADO DE 30")**

El primer paso de su instalación debe ser medir las dimensiones actuales de su abertura y compararlas con las dimensiones mostradas a continuación. Puede descubrir que será necesario realizar poco o nada de trabajo en los gabinetes.

**NOTA IMPORTANTE**

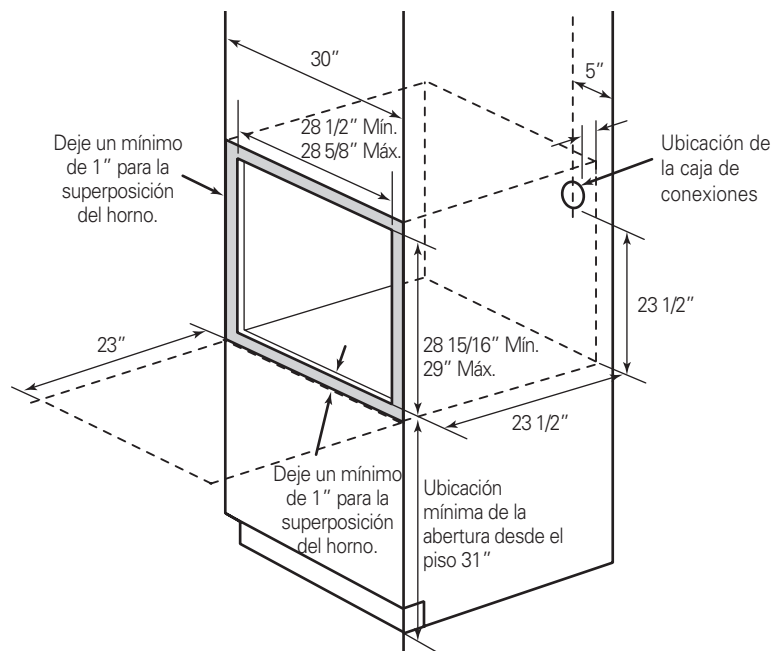
- La plataforma base del gabinete debe poder soportar 190 lbs (86 kg). Si el gabinete no cuenta con un fondo sólido, deben instalarse dos abrazaderas o guías niveladas con la parte inferior de la abertura para sostener el peso del horno. Asegúrese de que la base se encuentre nivelada y que el frente del gabinete esté derecho. Si la base del gabinete no está nivelada, los deslizadores del horno tenderán a deslizarse hacia afuera cuando se abra la puerta.
- Si marcas, imperfecciones o la abertura resultaran visibles sobre el horno instalado, puede ser necesario agregar cuñas de madera bajo las guías y el reborde frontal hasta cubrir las marcas o la abertura.
- Si el gabinete no cuenta con un armazón frontal y los lados son menores a un grosor de 3/4" (1.9 cm), coloque cuñas uniformemente sobre ambos lados para establecer al ancho de la abertura.
- La caja de conexiones debe estar alineada con la pared trasera del gabinete como puede verse abajo.
- Deje un espacio de por lo menos 23" para la profundidad de la puerta cuando se abre.
- Los armarios de cocina que estén en contacto con el horno deben resistir temperaturas de hasta 194 °F (90 °C), y los frentes de las unidades cercanas hasta un mínimo de 158 °F (70 °C).

**Dimensiones del producto**



**Dimensiones de la abertura**

Ancho del gabinete	30" (762 mm)
Ubicación mínima recomendada de la abertura desde el piso	31" (787.4 mm)
Profundidad de la abertura	23 1/2" Mín. (596.9 mm)
Ancho de la abertura	28 1/2" Mín. (723.9 mm) 28 5/8" Máx. (727 mm)
Altura de la abertura	28 15/16" Mín. (735 mm) 29" Máx. (736.6 mm)





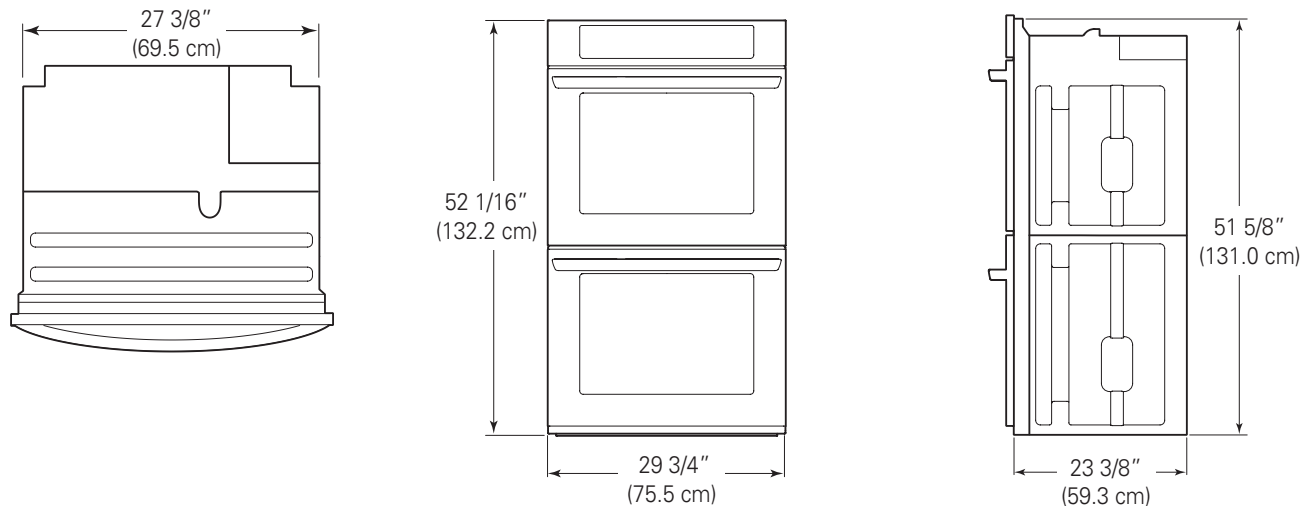
**2 DIBUJOS DE INSTALACIÓN (PARA HORNO DOBLE EMPOTRADO DE 30")**

El primer paso de su instalación debe ser medir las dimensiones actuales de su abertura y compararlas con las dimensiones mostradas a continuación. Puede descubrir que será necesario realizar poco o nada de trabajo en los gabinetes.

**NOTA IMPORTANTE**

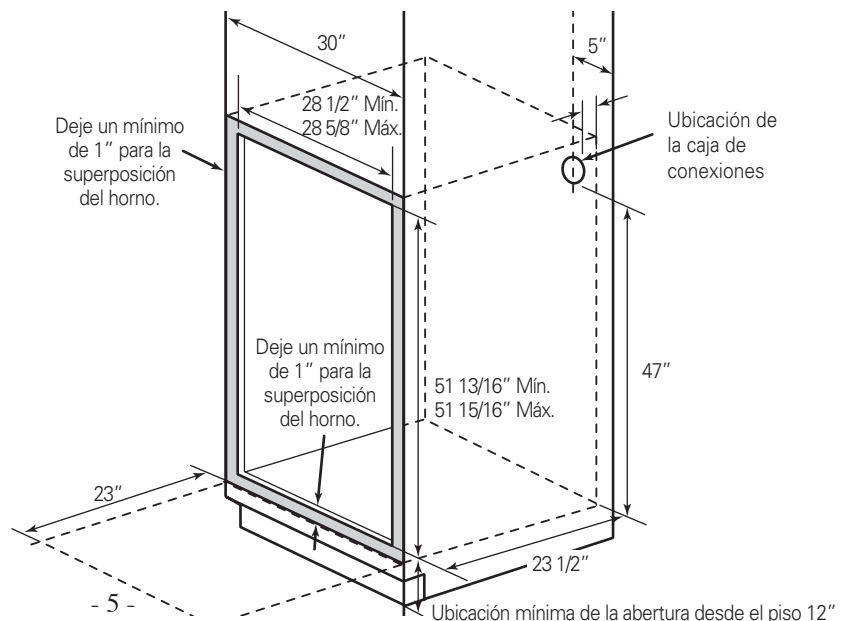
- La plataforma base del gabinete debe poder soportar 325 lbs (147 kg). Si el gabinete no cuenta con un fondo sólido, deben instalarse dos abrazaderas o guías niveladas con la parte inferior de la abertura para sostener el peso del horno. Asegúrese de que la base se encuentre nivelada y que el frente del gabinete esté derecho. Si la base del gabinete no está nivelada, los deslizadores del horno tenderán a deslizarse hacia afuera cuando se abra la puerta.
- Si marcas, imperfecciones o la abertura resultaran visibles sobre el horno instalado, puede ser necesario agregar cuñas de madera bajo las guías y el reborde frontal hasta cubrir las marcas o la abertura.
- Si el gabinete no cuenta con un armazón frontal y los lados son menores a un grosor de 3/4" (1.9 cm), coloque cuñas uniformemente sobre ambos lados para establecer al ancho de la abertura.
- La caja de conexiones debe estar alineada con la pared trasera del gabinete como puede verse abajo.
- Deje un espacio de por lo menos 23" para la profundidad de apertura de la puerta.
- Los armarios de cocina que estén en contacto con el horno deben resistir temperaturas de hasta 194 °F (90 °C), y los frentes de las unidades cercanas hasta un mínimo de 158 °F (70 °C).

**Dimensiones del producto**



**Dimensiones de la abertura**

Ancho del gabinete	30" (762 mm)
Ubicación mínima recomendada de la abertura desde el piso	12" (304.8 mm)
Profundidad de la abertura	23 1/2" Mín. (596.9 mm)
Ancho de la abertura	28 1/2" Mín. (723.9 mm) 28 5/8" Máx. (727 mm)
Altura de la abertura	51 13/16" Mín. (1316 mm) 51 15/16" Máx. (1319.2 mm)



**3 DIBUJOS DE INSTALACIÓN (PARA HORNO SIMPLE EMPOTRADO DE 30" BAJO MOSTRADOR)**

El primer paso de su instalación debe ser medir las dimensiones actuales de su abertura y compararlas con las dimensiones mostradas a continuación. Puede descubrir que será necesario realizar poco o nada de trabajo en los gabinetes.

**NOTA IMPORTANTE**

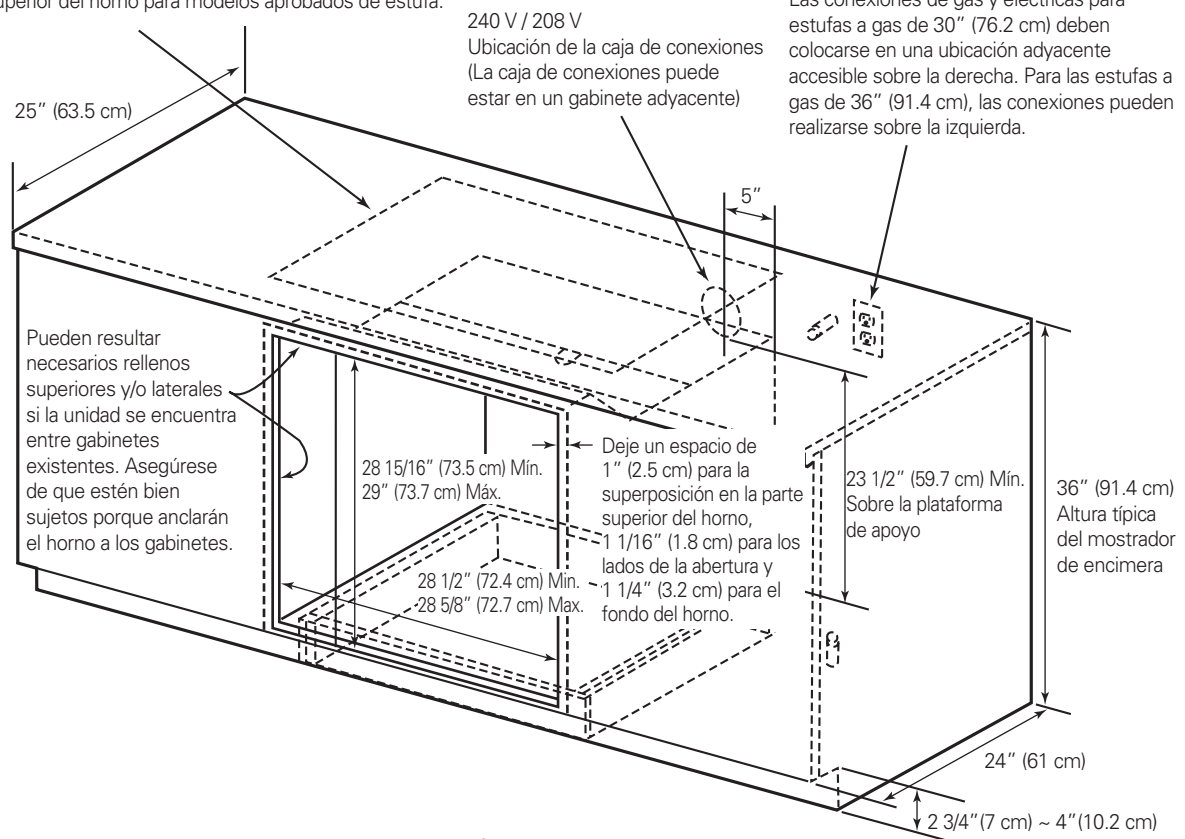
- La plataforma base del gabinete debe poder soportar 190 lbs (86 kg). Si el gabinete no cuenta con un fondo sólido, deben instalarse dos abrazaderas o guías niveladas con la parte inferior de la abertura para sostener el peso del horno. Asegúrese de que la base se encuentre nivelada y que el frente del gabinete esté derecho. Si la base del gabinete no está nivelada, los deslizadores del horno tenderán a deslizarse hacia afuera cuando se abra la puerta.
- Si marcas, imperfecciones o la abertura resultaran visibles sobre el horno instalado, puede ser necesario agregar cuñas de madera bajo las guías y el reborde frontal hasta cubrir las marcas o la abertura.
- Si el gabinete no cuenta con un armazón frontal y los lados son menores a un grosor de 3/4" (1.9 cm), coloque cuñas uniformemente sobre ambos lados para establecer al ancho de la abertura.
- La caja de conexiones debe estar alineada con la pared trasera del gabinete como puede verse abajo.
- Este horno sólo puede instalarse bajo los modelos específicos como se indica en la etiqueta de esta unidad.
- Los armarios de cocina que estén en contacto con el horno deben resistir temperaturas de hasta 194 °F (90 °C), y los frentes de las unidades cercanas hasta un mínimo de 158 °F (70 °C).

**Dimensiones del producto**

Las dimensiones son las mismas del horno simple empotrado de la página 15.

**Dimensiones de la abertura**

Pueden instalarse estufas a gas o eléctricas sobre este horno.  
Ver las instrucciones de instalación de la estufa para el tamaño de la abertura.  
Ver la etiqueta de la parte superior del horno para modelos aprobados de estufa.



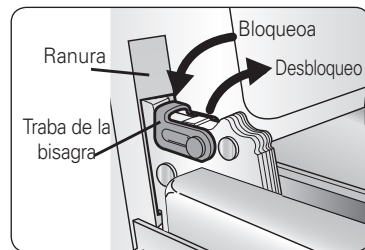
**4 PREPARACIÓN PARA TRASLADAR EL HORNO**

El segundo paso de su instalación debe ser quitar el material de empaque del horno antes de instalarlo.

1. Quite toda la cinta ubicada alrededor del horno.
2. Abra la puerta del horno y quite los materiales de empaque y las bandejas del horno.
3. La remoción de la puerta no es un requisito de la instalación del horno, pero es una comodidad agregada. Para quitar la puerta, siga los siguientes pasos.

**Paso 1**

Abra la puerta por completo.



<Fig.1>

**Paso 2**

Jale las trabas de la bisagra hacia arriba en dirección al marco de la puerta hasta destrabarlas. (Fig. 1)

**Paso 3**

Tome con firmeza ambos lados de la puerta de la parte superior.

**Paso 4**

Cierre la puerta hasta la posición de remoción de la puerta, que es aproximadamente a los 5 grados. (Fig. 2)



<Fig.2>

**Paso 5**

Levante la puerta hasta que el brazo de la bisagra haya salido de la ranura.

4. Coloque el horno sobre una mesa o plataforma en forma nivelada con la abertura. (La mesa o plataforma debe sostener **190 lbs [86 kg]** en el caso de un horno simple empotrado y **325 lbs [147 kg]** en el caso de un horno doble empotrado).
5. Quite el reborde inferior de metal del horno. Se colocará al final del proceso de instalación. El reborde se encuentra envuelto en forma separada y adherido en la parte superior de la unidad.

**PRECAUCIÓN**

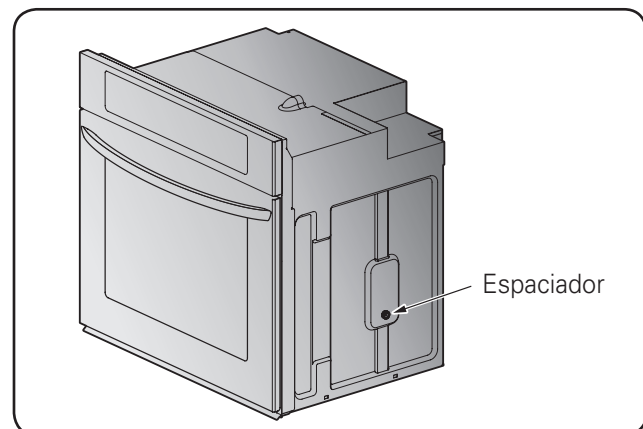
- **Verifique que los gabinetes y los revestimientos de las paredes ubicados alrededor del horno puedan soportar la temperatura (hasta 194 °F [90 °C]) generada por el horno.**
- Puede provocarse decoloración, delaminación o fusión.

**PRECAUCIÓN**

- **NO quite los espaciadores de las paredes laterales del horno empotrado.**
- Estos espaciadores centran el horno en el espacio provisto. El horno debe centrarse para evitar una acumulación excesiva de calor que puede provocar daños o un incendio.

**NOTA IMPORTANTE**

- No levante la puerta de la manija.
- La puerta del horno es muy pesada. Asegúrese de tener un agarre firme antes de levantar la puerta del horno de sus bisagras. Tenga cuidado al levantarla. Se recomienda que dos personas levanten y coloquen el horno dentro de la abertura. No seguir esta instrucción puede provocar lesiones en la espalda u otra clase de lesiones. Use guantes para protegerse de bordes afilados.
- No deposite la puerta sobre la manija. Esto puede provocar abolladuras o rayones.



**1 REQUISITOS DE LAS CONEXIONES ELÉCTRICAS**

El tercer paso de su instalación debe ser seguir los requisitos de las conexiones eléctricas incluidos a continuación. Debe asegurarse que el circuito dedicado para protección se prepare como se recomienda y que el horno está correctamente conectado a tierra.

**NOTA IMPORTANTE**

- Verifique que un instalador o un técnico calificados instalen y conecten a tierra correctamente su horno de pared.
- Este horno de pared debe tener una conexión eléctrica a tierra en cumplimiento con los códigos locales o, si éstos no existieran, de acuerdo con el Código Eléctrico Nacional, ANSI/NFPA N° 70-última edición\* en los Estados Unidos, o con la Norma CSA C22.1-1982 y C22.2 N° 01982 (o última edición)\*\*, Código Eléctrico Canadiense, Parte 1, y todos los códigos y ordenanzas locales.
  - Este horno de pared debe recibir el voltaje y frecuencia adecuados, y debe conectarse a un circuito derivado individual con adecuada conexión a tierra, protegido por un interruptor de circuitos o fusible. Para saber qué interruptor de circuitos o fusible se necesitan para este modelo, vea la placa de clasificación para averiguar el consumo de potencia y consulte la tabla de abajo para obtener el amperaje del interruptor de circuitos o del fusible.

Clasificación del aparato Vatios 240 V	Circuito de protección recomendado	Clasificación del aparato Vatios 208 V	Circuito de protección recomendado
Menos de 4800 W	20 A	Menos de 4100 W	20 A
4800 W - 7200 W	30 A	4100 W - 6200 W	30 A
7200 W - 9600 W	40 A	6200 W - 8300 W	40 A
9600 y más	50 A	8300 y más	50 A

- Un horno doble de pared puede consumir hasta 7800 W a 240 VAC. Debe utilizarse un interruptor de circuitos de 40 amp con un calibre de cable #8 AWG.
- Un horno simple de pared puede consumir hasta 4100 W a 240 VAC. Debe utilizarse un interruptor de circuitos de 30 amp con un calibre de cable de por lo menos #10 AWG.

**NOTA IMPORTANTE**

- No conecte a tierra con una tubería de gas.
- No coloque un fusible en el circuito central o de conexión a tierra.
- Debe contarse con un conector de conductos listado UL en la caja de conexiones.

**⚠ ADVERTENCIA**

- **Las instalaciones nuevas de circuito derivado (1996 NEC), las casas rodantes, los vehículos recreativos o las instalaciones en las que los códigos locales prohíben la conexión a tierra a través de un conductor neutral requieren una conexión de circuito derivado de 4 hilos.**

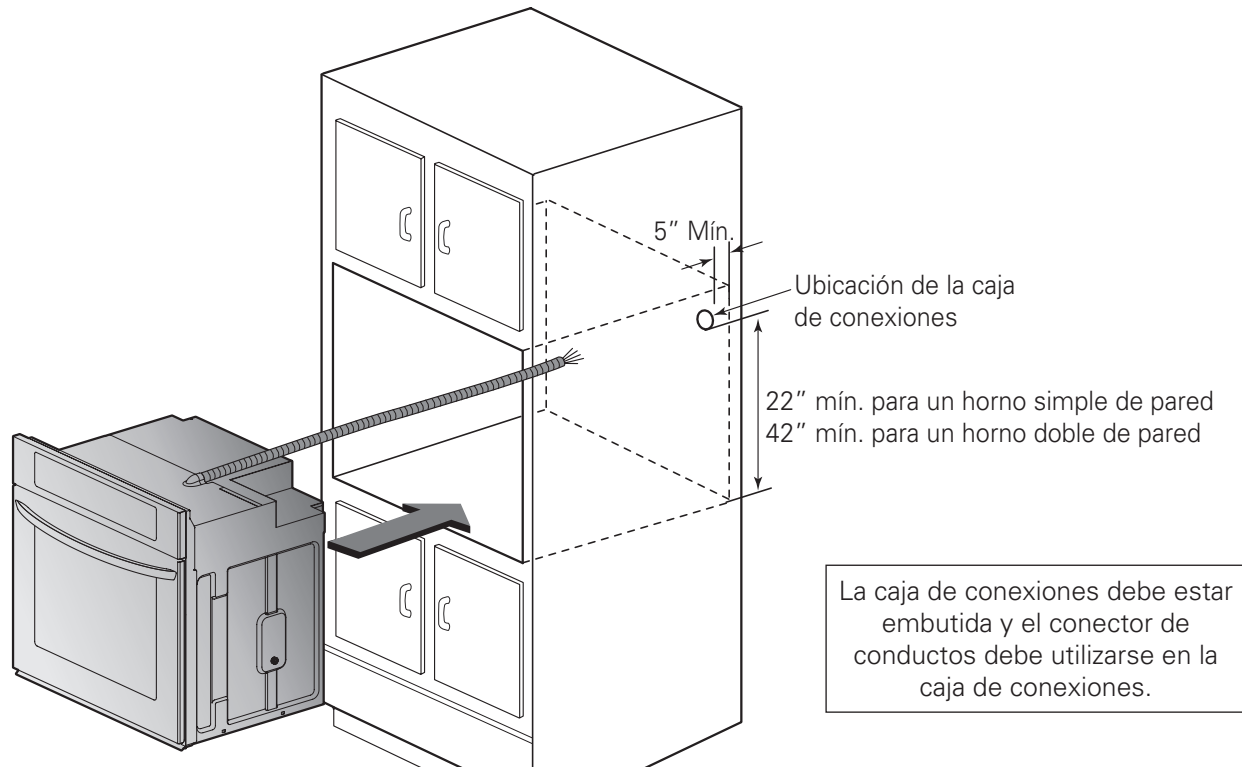
**⚠ ADVERTENCIA**

- **Una conexión inadecuada de cableado doméstico de aluminio con cables de cobre puede generar un riesgo eléctrico o un incendio. Sólo use conectores diseñados para unir cobre con aluminio y siga al pie de la letra el procedimiento recomendado del fabricante.**

## 2 CONEXIÓN ELÉCTRICA

El cuarto paso de su instalación debe ser preparar la conexión eléctrica de la siguiente manera:

1. Apague el interruptor de circuitos o quite los fusibles conectados al circuito derivado del horno.
2. Con el horno colocado directamente frente a la abertura del gabinete, conecte el conducto flexible a la caja de conexiones eléctrica como se señala abajo. Coloque el conducto de modo que quede sobre el horno con un lazo natural cuando el horno se instale.



3. Si los códigos locales permiten la conexión de un conductor a tierra del armazón con el alambre neutral (blanco), siga la instrucción de conexión de circuito de 3 hilos de la página 21.  
Si se utiliza en casas rodantes o construcciones nuevas, o en un vehículo recreativo, o los códigos locales no permiten la conexión de un conductor a tierra del armazón con el alambre neutral (blanco), siga la instrucción de conexión de circuito de 4 hilos de la página 21.

### NOTA IMPORTANTE

- Los hornos de pared deben contar con cableado de conexión permanente (cableado directo) dentro de una caja de conexiones aprobada. En estos productos no se permite la conexión del tipo "enchufe y receptáculo".
- NO acorte el conducto flexible. El conector de conductos debe estar bien sujeto a la caja de conexiones y el conducto flexible debe estar bien sujeto al conector de conductos. Si el conducto flexible no entra dentro del conector, no instale el horno hasta obtener un conector del tamaño adecuado.

### NOTA AL ELECTRICISTA

Los cables de energía suministrados con este aparato están reconocidos por UL y CSA para conexiones con cableados domésticos de calibre mayores. La aislación de estos cables está clasificada a temperaturas mucho más elevadas que la clasificación del cableado doméstico. La capacidad de transmitir corriente del conductor está determinada por el calibre del cable y la clasificación de temperatura de la aislación alrededor del cable.

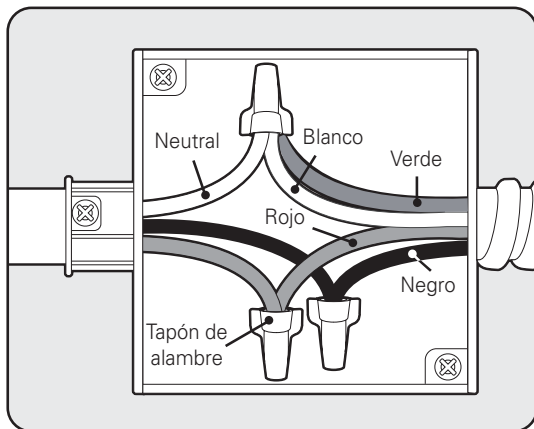
## NOTA IMPORTANTE

- Tendrá que comprar un conector de conductos apropiado para completar la conexión del conducto a la caja de conexiones.

### Conexión de circuito de 3 hilos

Para conectar a un circuito de tres hilos, siga los siguientes pasos:

1. Conecte el cable a tierra (verde) del horno y el cable neutral (blanco) al cable neutral de circuito derivado (de color blanco o gris) utilizando un tapón de alambre.
2. Conecte el cable rojo del horno al cable rojo de circuito derivado (L2) en cumplimiento con los códigos locales utilizando un tapón de alambre.
3. Conecte el cable negro del horno al cable negro de circuito derivado (L1) en cumplimiento con los códigos locales utilizando un tapón de alambre. Si los cables rojo, negro o blanco son conductores de aluminio, ver la ADVERTENCIA de la página 19.
4. Instale la tapa de la caja de conexiones.

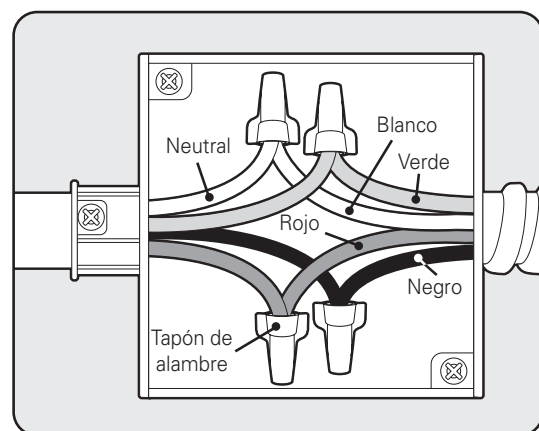


Caja de conexiones

### Conexión de circuito de 4 hilos

Para conectar a un circuito de cuatro hilos, siga los siguientes pasos:

1. Separe los cables a tierra y blanco del horno si fuera necesario.
2. Conecte el cable a tierra (verde) del horno al cable a tierra (verde) de circuito derivado en cumplimiento con los códigos locales utilizando un tapón de alambre. Si los cables rojo, negro o blanco son conductores de aluminio, ver la ADVERTENCIA de la página 19.
3. Conecte el cable blanco del horno al cable neutral de circuito derivado (de color blanco o gris) en cumplimiento con los códigos locales utilizando un tapón de alambre.
4. Conecte el cable rojo del horno al cable rojo de circuito derivado (L2) en cumplimiento con los códigos locales utilizando un tapón de alambre.
5. Conecte el cable negro del horno al cable negro de circuito derivado (L1) en cumplimiento con los códigos locales utilizando un tapón de alambre. Si los cables rojo, negro o blanco son conductores de aluminio, ver la ADVERTENCIA de la página 19.
6. Instale la tapa de la caja de conexiones.



Caja de conexiones

### 1 INSTALACIÓN DEL GABINETE

El quinto paso de su instalación debe ser instalar el horno dentro del gabinete de la siguiente manera:

1. Cómo deslizar el horno dentro de la abertura.
  - a. Enrosque (no ate) un hilo de 36" (91 cm) alrededor del conducto antes de deslizar el horno a su lugar. Esto no permitirá que el conducto caiga detrás del horno.
  - b. Levante el horno dentro de la abertura del gabinete utilizando el horno abierto como agarre. Con cuidado empuje desde el armazón frontal del horno. No presione sobre los bordes externos.
  - c. A medida que desliza el horno hacia atrás, hale del hilo para que el conducto quede sobre el horno con un lazo natural.
  - d. Cuando se asegure de que el conducto no esté en el camino, deslice el horno 3/4 hacia atrás dentro de la abertura. Quite el hilo halando de un extremo del lazo.

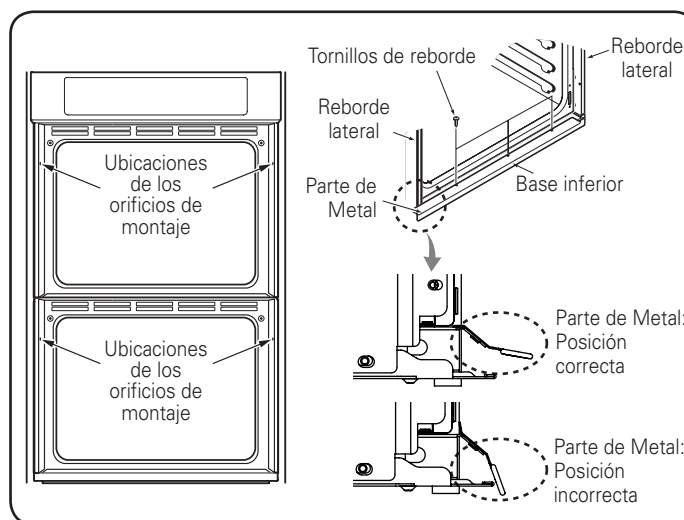
#### ⚠ PRECAUCIÓN

- **NO bloquee la salida de aire del horno ubicada en la parte inferior del horno.**
- Bloquear la salida puede provocar daños en el gabinete y el mal funcionamiento del producto.

#### ⚠ ADVERTENCIA

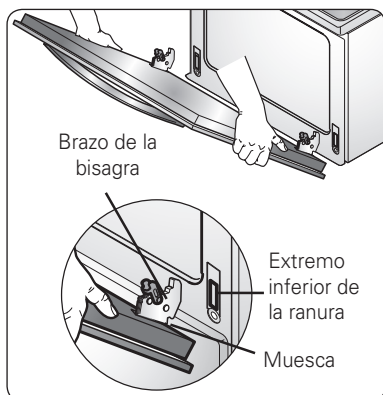
- **Deben utilizarse tornillos de montaje.**
- Si no se hace, el horno puede caer del gabinete, lo que provocaría una lesión grave.

2. Cómo asegurar el horno.
  - a. Utilizando los orificios de montaje del reborde lateral del horno como guía, perfora orificios piloto para los tornillos provistos (para asegurar el horno doble de pared, utilice un mínimo de 4 tornillos, uno en cada lado en los hornos superior e inferior. Para asegurar el horno simple de pared, utilice un mínimo de 2 tornillos, uno en cada lado).
  - b. Asegure el horno al gabinete con los tornillos provistos. Si el gabinete es de placa de partículas, deben utilizarse tornillos de 3/4" para dicho material. Éstos pueden adquirirse en cualquier ferretería.
3. Cómo instalar el reborde inferior de metal. (Para el modelo : LWS3081ST, LWD3081ST, LWS3010ST, LWD3010ST)
  - a. Coloque el reborde inferior de metal centrado sobre los orificios de montaje perforados previamente en la base inferior.
  - b. Utilizando los 3 tornillos provistos, asegure el reborde inferior al lado inferior del gabinete.
4. Cómo volver a instalar la puerta del horno. (Para el modelo : LWS3081ST, LWD3081ST, LWS3010ST, LWD3010ST)



#### Paso 1

Tome con firmeza ambos lados de la puerta sobre la parte superior.



#### Paso 2

Con la puerta en el mismo ángulo de la posición de remoción, introduzca la muesca del brazo de la bisagra dentro del extremo inferior de la ranura de la bisagra. La ranura del brazo de la bisagra debe estar bien colocada en la parte inferior de la ranura.

#### Paso 3

Abra la puerta por completo. Si la puerta no se abre por completo, la muesca no está bien colocada en el extremo inferior de la ranura.

#### Paso 4

Presione las trabas de la bisagra hacia arriba contra el marco frontal de la cavidad del horno, hasta alcanzar la posición de trabado.



#### Paso 5

Cierre la puerta del horno.

## 1 VERIFICACIÓN DEL FUNCIONAMIENTO

Todas las funciones se han controlado en la fábrica antes del envío. Sin embargo, se sugiere que verifique el funcionamiento del horno una vez más. Consulte el Manual del propietario. Siga las instrucciones para una verificación básica.

1. Encienda el suministro de energía. Se oirá la señal inicial y deberá parecer el logotipo de LG en la pantalla.
2. Verifique el funcionamiento en el modo broil (asar). Cuando el horno este en modo broil (asar), el elemento superior del horno debe ponerse rojo. Después de unos minutos, abra la puerta del horno parcialmente. Deberá sentir calor saliendo del horno. Presione el botón "CLEAR/OFF" (borrar/apagado) (Para el modelo : LWS3081ST, LWD3081ST, LWS3010ST, LWD 3010ST, LWS3063ST, LWD3063ST, LWS3063BD, LWD3063BD) o ajustar la perilla de modo del horno a la posición OFF (Para el modelo: LSWS306ST, LSWD306ST)
3. Verifique el funcionamiento en el modo bake (hornear). Después de configurar el horno a 350 °F / 177°C para hornear, la temperatura del horno en la pantalla debe elevarse. Presione el botón "CLEAR/OFF" (borrar/apagado) (Para el modelo : LWS3081ST, LWD3081ST, LWS3010ST, LWD 3010ST, LWS3063ST, LWD3063ST, LWS3063BD, LWD3063BD) o ajustar la perilla de modo del horno a la posición OFF (Para el modelo: LSWS306ST, LSWD306ST)
4. Verifique el funcionamiento en el modo convection bake (hornear por convección). Después de configurar el horno a 350 °F / 177 °C para hornear por convección, el ventilador ubicado dentro del horno debe encenderse con la puerta cerrada. Presione el botón "CLEAR/OFF" (borrar/apagado) (Para el modelo : LWS3081ST, LWD3081ST, LWS3010ST, LWD 3010ST, LWS3063ST, LWD3063ST, LWS3063BD, LWD3063BD) o ajustar la perilla de modo del horno a la posición OFF (Para el modelo: LSWS306ST, LSWD306ST)
5. Encienda y apague la luz del horno para verificar que las luces funcionen normalmente.
6. Verifique el funcionamiento en el modo convection (convección de horno). Después de configurar el horno a 350 °F / 177 °C para el modo convección de horno, el elemento trasero debe encenderse y el ventilador dentro del horno debe encenderse con la puerta cerrada. (Para el modelo : LWS3081ST, LWD3081ST, LWS3010ST, LWD 3010ST)

### NOTA IMPORTANTE

- Puede notarse una pequeña cantidad de humo y olor durante el período inicial de acostumbramiento.
- Si su horno no funciona correctamente o si una "F" seguida de un número aparece en la pantalla, consulte el Manual del propietario para una lista de identificación y solución de problemas. La lista incluye situaciones comunes que no son el resultado de mano de obra o materiales defectuosos del producto. Si el problema ocurre continuamente, comuníquese con el vendedor.
- Consulte la garantía del Manual del propietario para obtener el número gratuito y dirección de servicio.



# MEMO

ESPAÑOL

# MEMO

# MEMO

ESPAÑOL

