

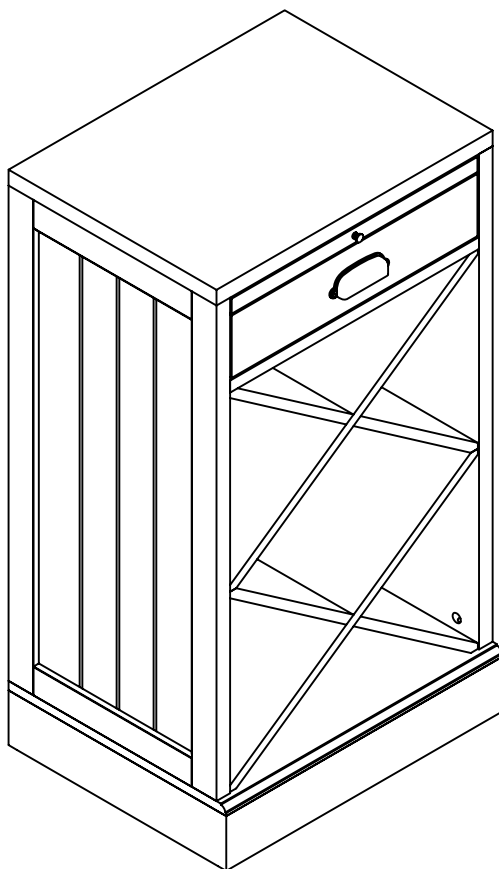
HOME DECORATORS COLLECTION

SK18733G MODULAR BAR-OPEN X BASE 36"Hx20"Wx15.75"D

INV#94688

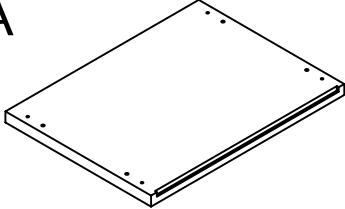
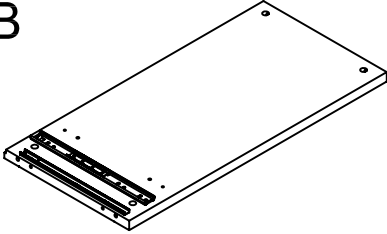
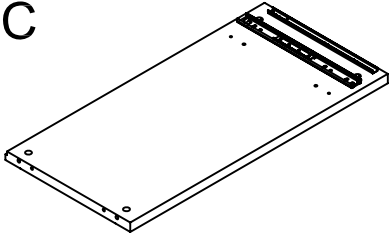
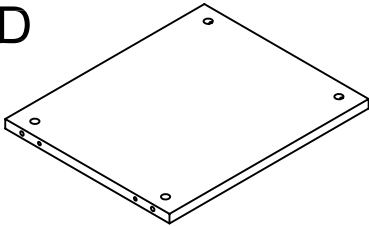
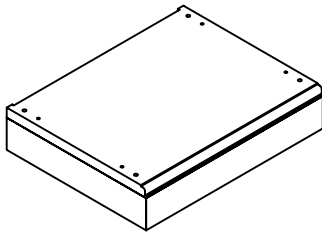
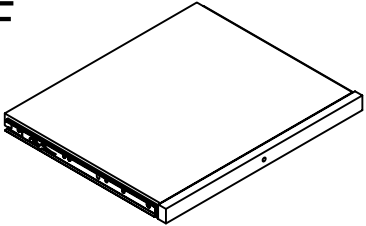
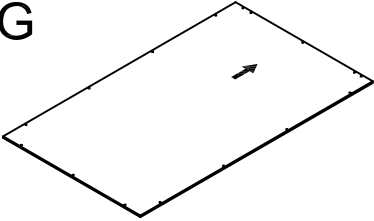
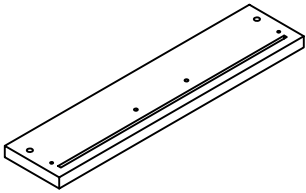
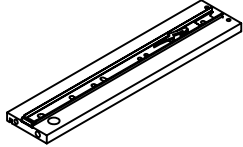
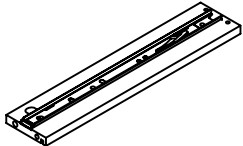
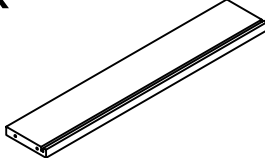
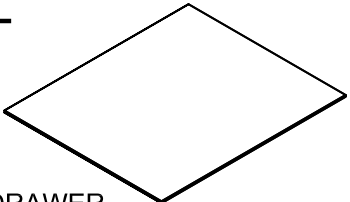
ASSEMBLY INSTRUCTIONS

Made In China

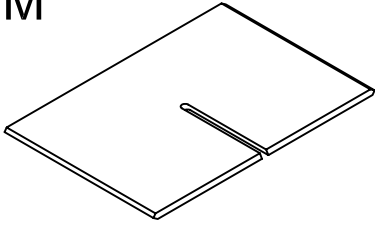


Thank you for purchasing this quality product. Be sure to check all packing material carefully for small parts, which may have come loose inside the carton during shipment. Count all parts and material hardware, then compare with parts list to be sure all parts are present. If any parts are missing or damaged, please contact our Customer Service Department for efficient and speedy service. Please indicate the model number and code letter of part(s) needed.

IMPORTANT NOTE: Follow instructions listed below in proper sequence as numbered to assure fast, easy and correct assembly.

PARTS LIST		
A 	B 	C 
TOP PANEL-1PC	LEFT SIDE PANEL-1PC	RIGHT SIDE PANEL-1PC
D 	E 	F 
FIXED PANEL-1PC	BOTTOM PANEL-1PC	WRITING BOARD-1PC
G 	H 	I 
BACK PANEL-1PC	DRAWER FRONT PANEL-1PC	DRAWER LEFT SIDE PANEL-1PC
J 	K 	L 
DRAWER RIGHT SIDE PANEL-1PC	DRAWER BACK PANEL-1PC	DRAWER BOTTOM PANEL-1PC

M



DIVIDER-4PCS

a



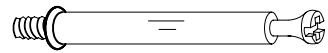
WOOD DOWEL-14PCS

b



SHORT CAM
LOCK BOLT-10PCS

c



LONG CAM
LOCK BOLT-4PCS

d



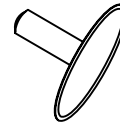
CAM LOCK-14PCS

e



SHORT
PLASTIC COVER-2PCS

f



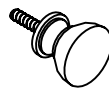
LONG
PLASTIC COVER-4PCS

g



5/8"L ROUND
HEAD SCREW-18PCS

h



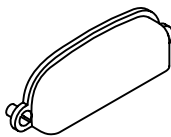
KNOB -1PC

i



1"L FLAT
HEAD SCREW-4PCS

j



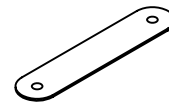
DRAWER HANDLE-1PC

k

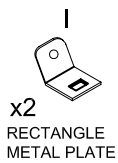


Ø5/32"X10mm BOLT-2PCS

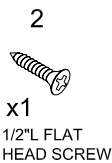
l



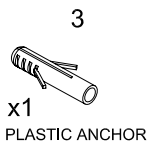
METAL CONNECTING
PLATE-2PCS



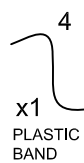
x2
RECTANGLE
METAL PLATE



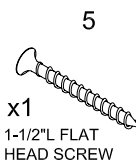
x1
1/2"L FLAT
HEAD SCREW



x1
PLASTIC ANCHOR



x1
PLASTIC
BAND

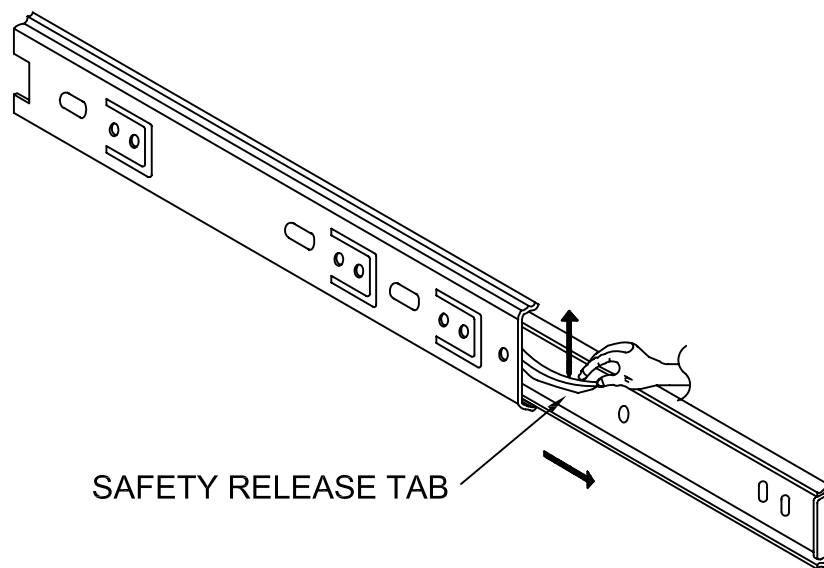


x1
1-1/2"L FLAT
HEAD SCREW

ANTI-TIPPING HARDWARE PACKAGE

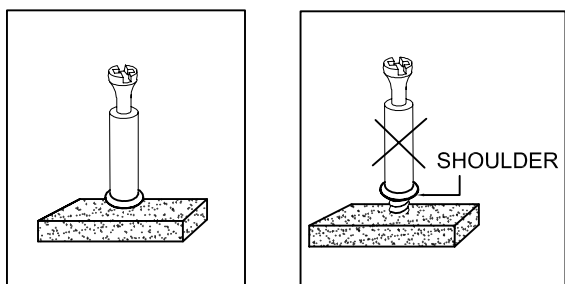
NOTE:THE SURFACE WITH THE STICKER IS THE BACK SIDE

HOW TO SEPARATE GLIDES



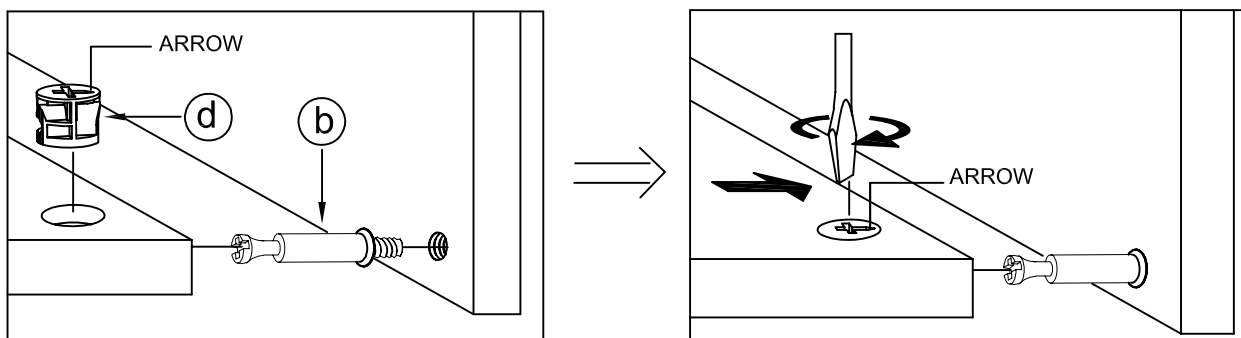
PRIOR TO ASSEMBLY, WE SUGGEST SEPARATING THE INNER GLIDES FROM THE OUTER-GLIDES, SIMPLY PULL THE LEFT/RIGHT INNER GLIDES FROM THE OUTER GLIDES EXPOSING A SMALL BLACK SAFETY RELEASE TAB, BY PUSHING THE SAFETY RELEASE TAB. YOU WILL BE ABLE TO SEPARATE THE GLIDES.

NOTE: • UPON OPENING, THOROUGHLY CLEAN ALL WOOD SURFACES TO REMOVE DUST AND DIRT THAT MAY HAVE SETTLED ONTO THE FINISH DURING SHIPMENT. IN ORDER TO PREVENT DAMAGE DURING ASSEMBLY. PLEASE ASSEMBLE THIS ITEM WITH AT LEAST TWO PEOPLE.



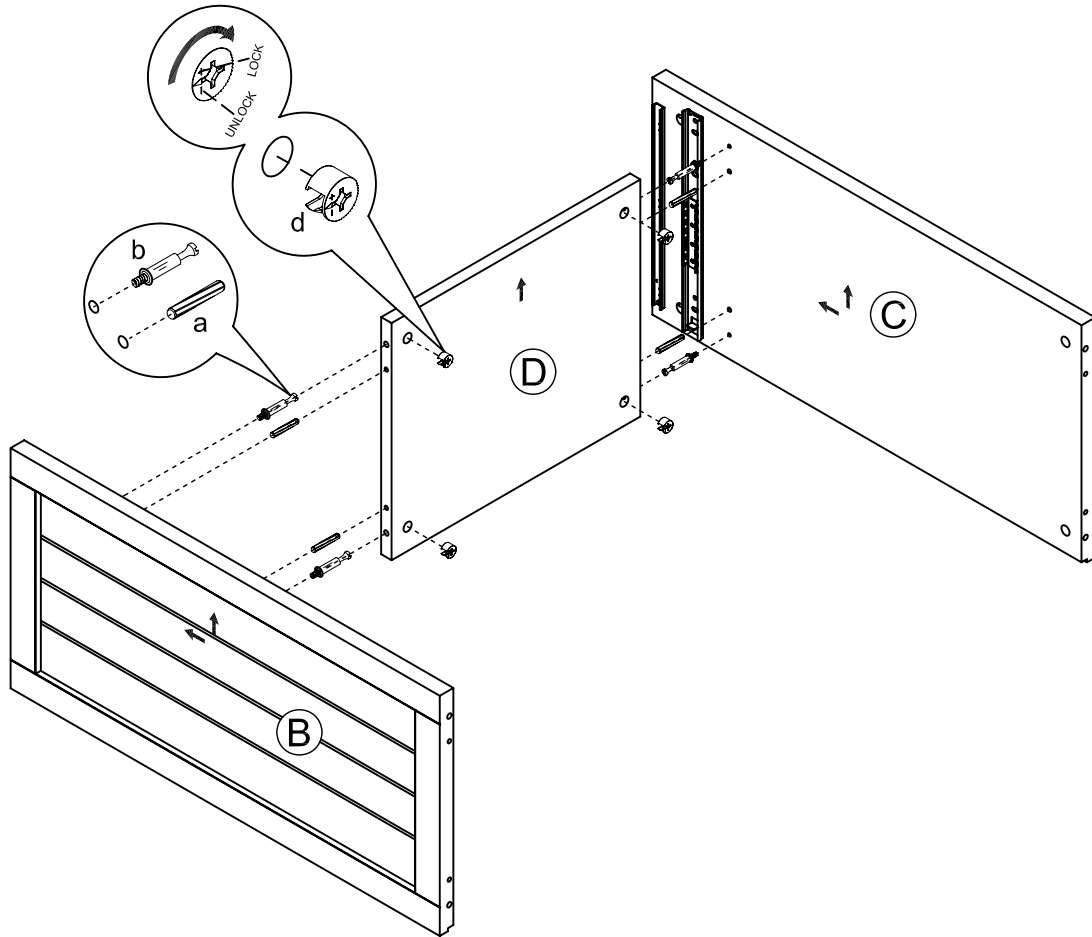
NOTE: TURN THE CAM-BOLT SCREWS UNTIL THEY ARE TIGHT, THE SHOULDER SHOULD BE AGAINST THE SURFACE OF THE PART.

HOW TO USE THE CAM-TOOL



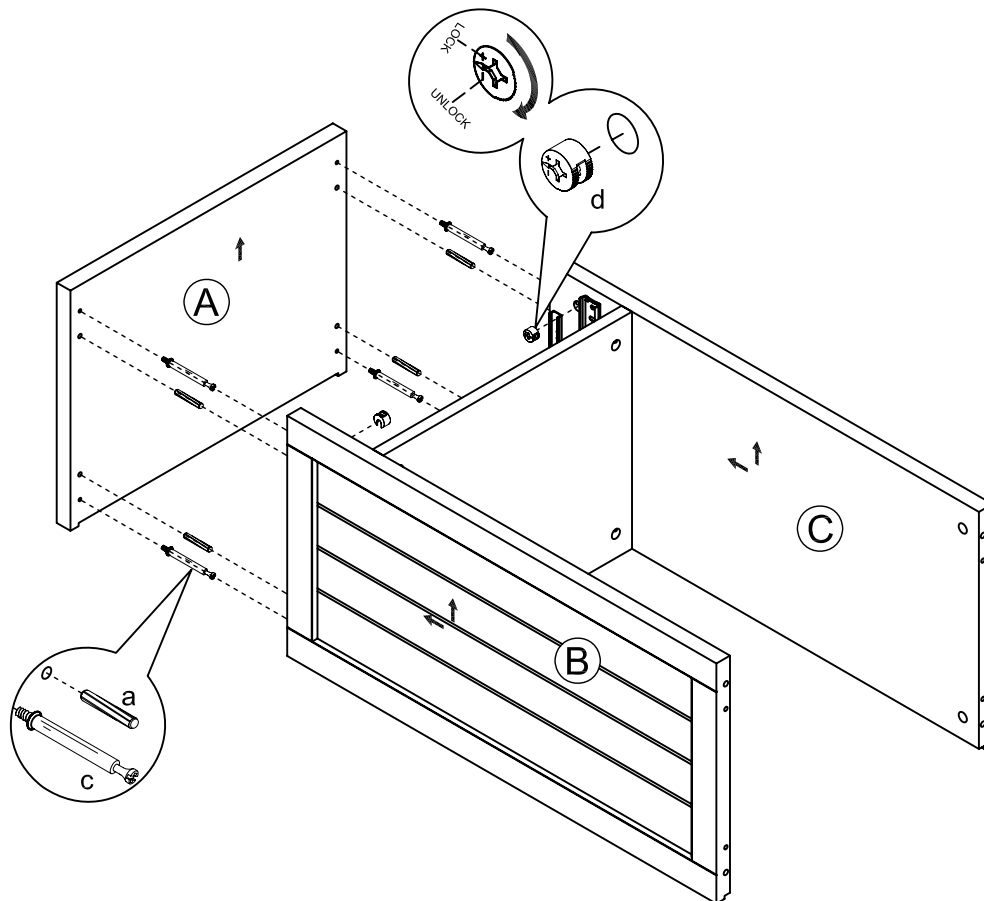
NOTE: • THE ARROWS ON THE HIDDEN CAM-LOCKS SHOULD POINT TO THE CAM-BOLTS.

FIG 1



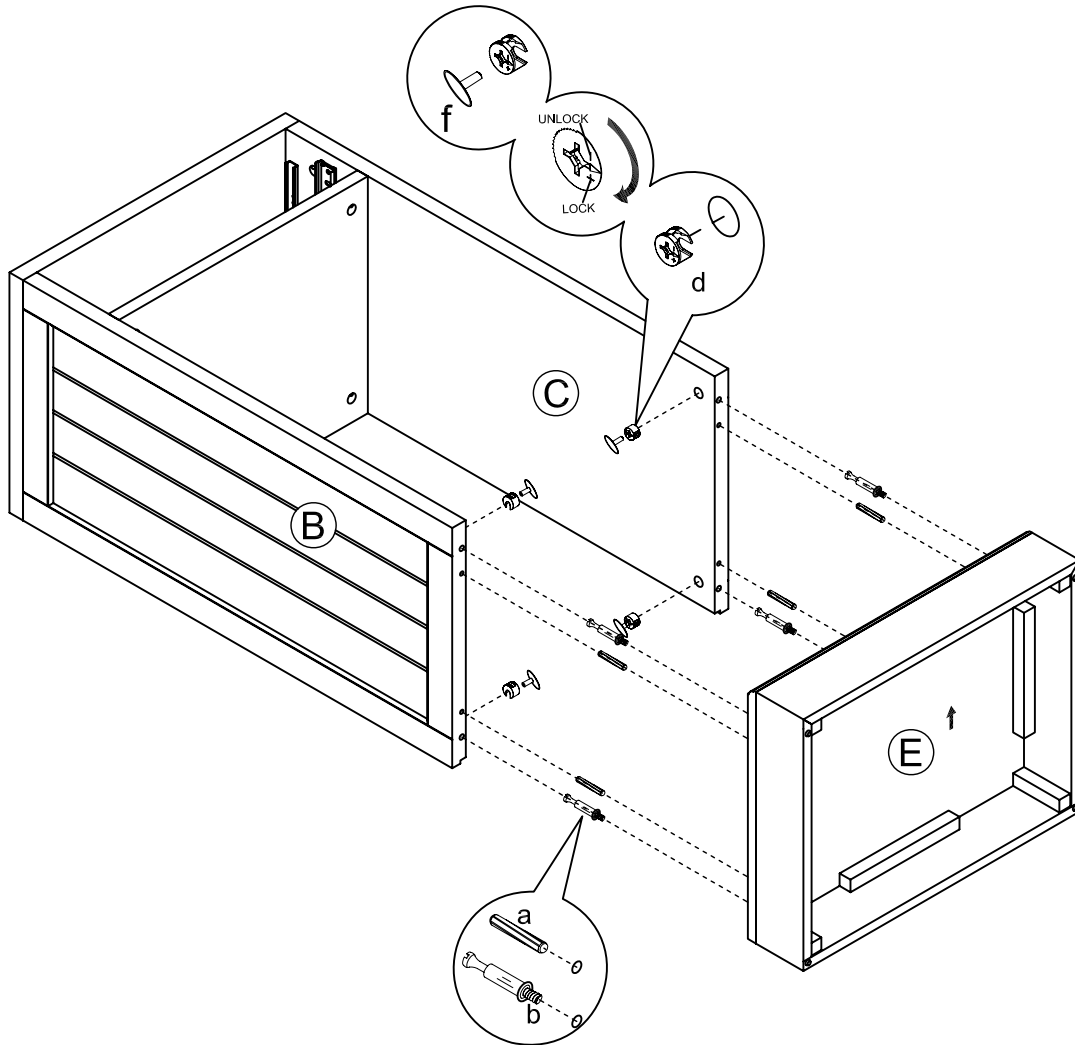
- INSTALL THE WOOD DOWEL (a) AND THE SHORT CAM LOCK BOLT (b) INTO THE LEFT SIDE PANEL (B) AND THE RIGHT SIDE PANEL (C).
- JOIN THE LEFT SIDE PANEL (B) AND THE RIGHT SIDE PANEL (C) TO THE FIXED PANEL (D) BY USING THE WOOD DOWEL (a) FIRST.
- TIGHTEN SHORT CAM LOCK BOLT (b) WITH THE CAM LOCK (d) IN THE PRE-DRILLED HOLES.

FIG 2



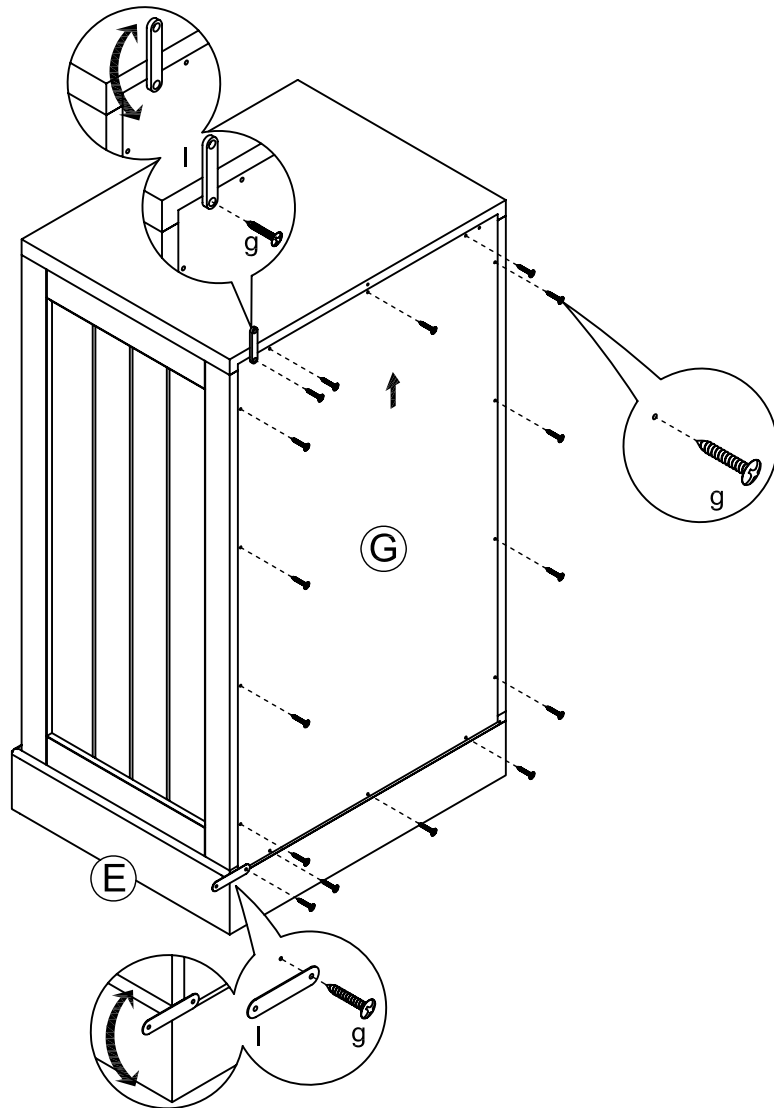
- INSTALL THE WOOD DOWEL (a) AND THE LONG CAM LOCK BOLT (c) INTO THE TOP PANEL (A).
- JOIN THE TOP PANEL (A) TO THE ASSEMBLED PART BY USING THE WOOD DOWEL (a) FIRST.
- TIGHTEN LONG CAM LOCK BOLT (c) WITH THE CAM LOCK (d) IN THE PRE-DRILLED HOLES.

FIG 3



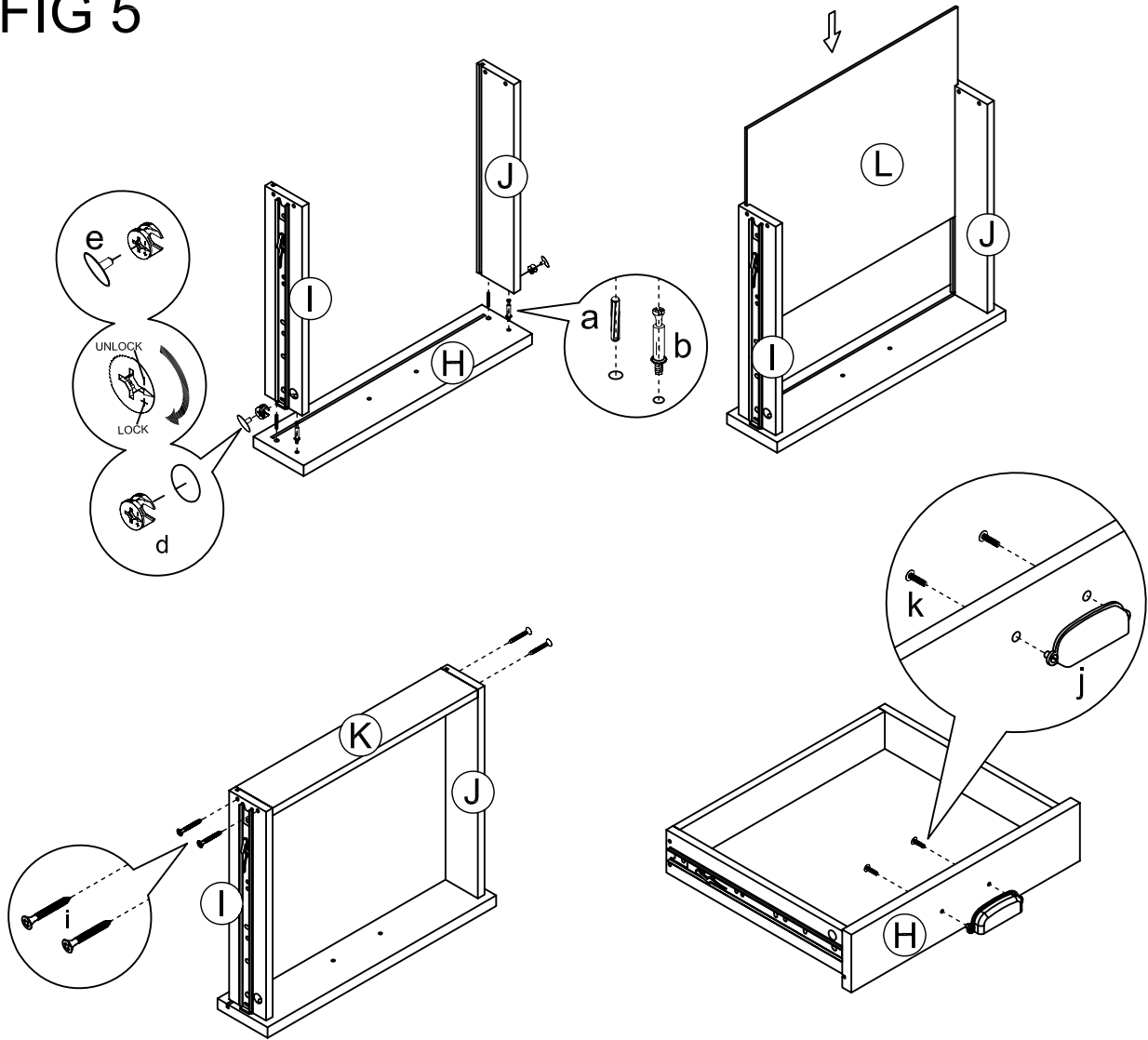
- INSTALL THE WOOD DOWEL (a) AND THE SHORT CAM LOCK BOLT (b) INTO THE BOTTOM PANEL (E).
- JOIN THE BOTTOM PANEL (E) TO THE ASSEMBLED PART BY USING THE WOOD DOWEL (a) FIRST.
- TIGHTEN SHORT CAM LOCK BOLT (b) WITH THE CAM LOCK (d) IN THE PRE-DRILLED HOLES.
- COVER CAM HOLES WITH THE LONG PLASTIC COVER (f).

FIG 4



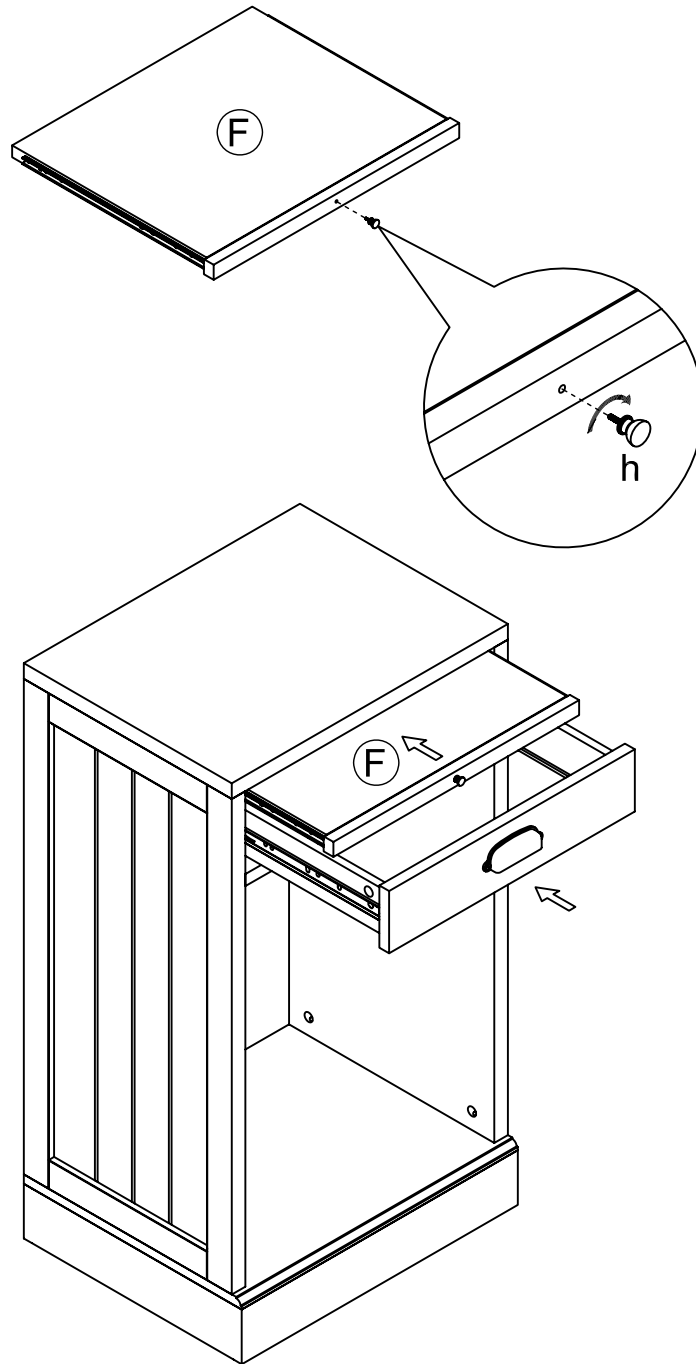
- TIGHTEN THE BACK PANEL (G) BY USING THE 5/8" L ROUND HEAD SCREW (g).
- TIGHTEN THE METAL CONNECTING PLATE (I) ON THE BACK OF THE BOTTOM PANEL (E) AND THE BACK PANEL (G) BY USING THE 5/8" L ROUND HEAD SCREW (g), ROTATE THE METAL CONNECTING PLATE (I) AS SHOWN.

FIG 5



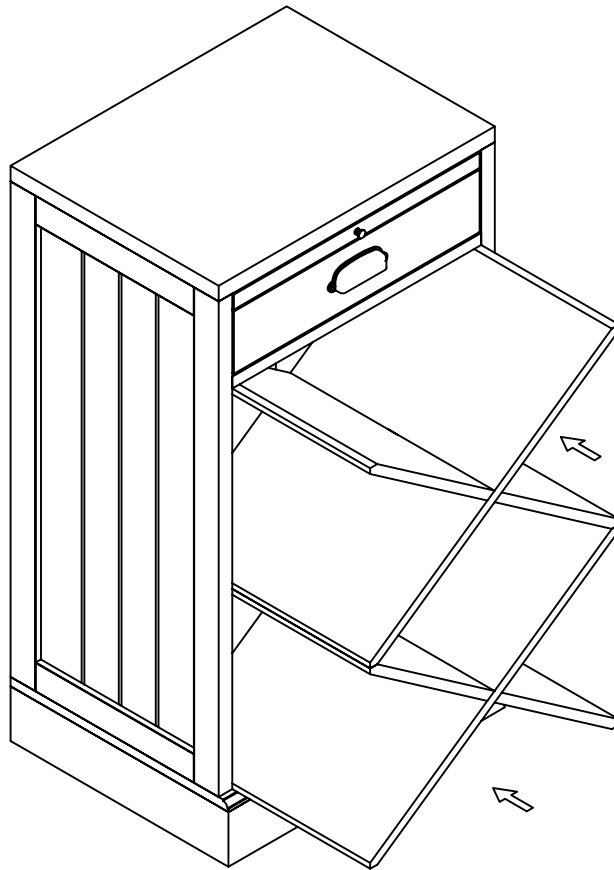
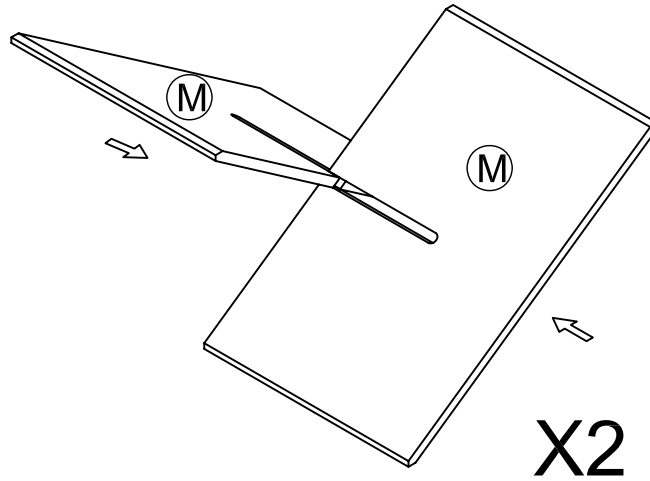
- INSTALL THE WOOD DOWEL (a) AND THE SHORT CAM LOCK BOLT (b) INTO THE DRAWER FRONT PANEL (H).
- JOIN THE DRAWER LEFT SIDE PANEL (I) AND THE DRAWER RIGHT SIDE PANEL (J) TO THE DRAWER FRONT PANEL (H).
- ONCE JOINED, TIGHTEN SHORT CAM LOCK BOLT (b) WITH THE CAM LOCK (d) IN THE PRE-DRILLED HOLES.
- COVER CAM HOLES WITH THE SHORT PLASTIC COVER (e).
- SLIDE THE DRAWER BOTTOM PANEL (L) INTO THE GROOVES ON THE DRAWER LEFT SIDE PANEL (I) AND THE DRAWER RIGHT SIDE PANEL (J).
- JOIN THE DRAWER BACK PANEL (K) TO THE ASSEMBLED DRAWER PART AND TIGHTEN THE DRAWER BACK PANEL (K) BY USING THE 1" L FLAT HEAD SCREW (i) THROUGH PRE-DRILLED HOLES ON DRAWER SIDE PANELS.
- TIGHTEN THE DRAWER HANDLE (j) TO THE DRAWER FRONT PANEL (H) BY USING THE $\varnothing 5/32$ " X 10mm BOLT (k).

FIG 6



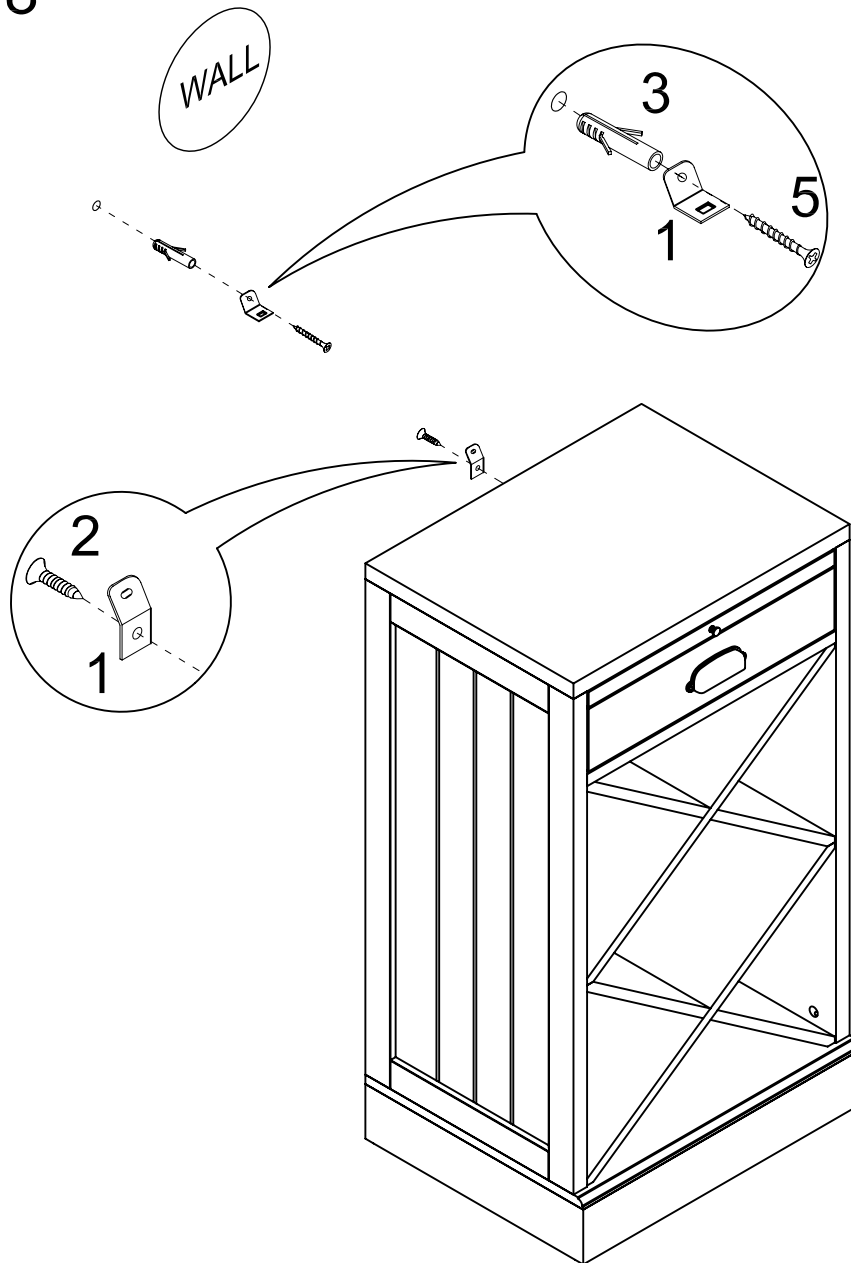
- TIGHTEN THE KNOB (h) INTO THE WRITING BOARD (F) AS SHOWN.
- INSERT THE WRITING BOARD (F) AND DRAWER INTO THE ASSEMBLED PART.

FIG 7



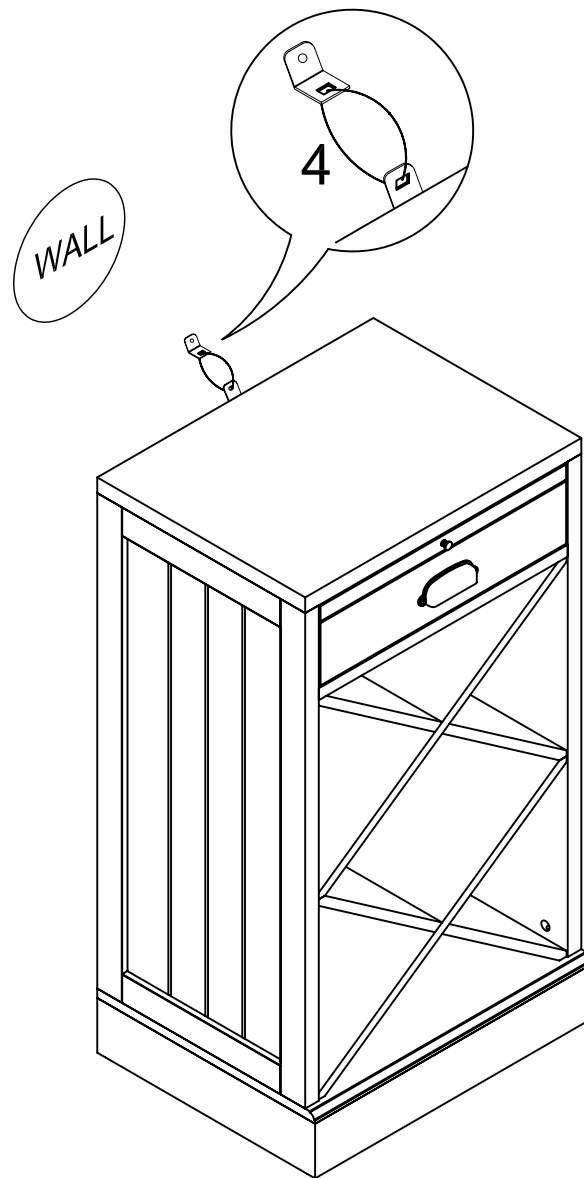
- INSERT THE DIVIDER (M) INTO THE DIVIDER (M) AS SHOWN.
- INSERT THE ASSEMBLED DIVIDERS INTO THE ASSEMBLED PART AS SHOWN.

FIG 8



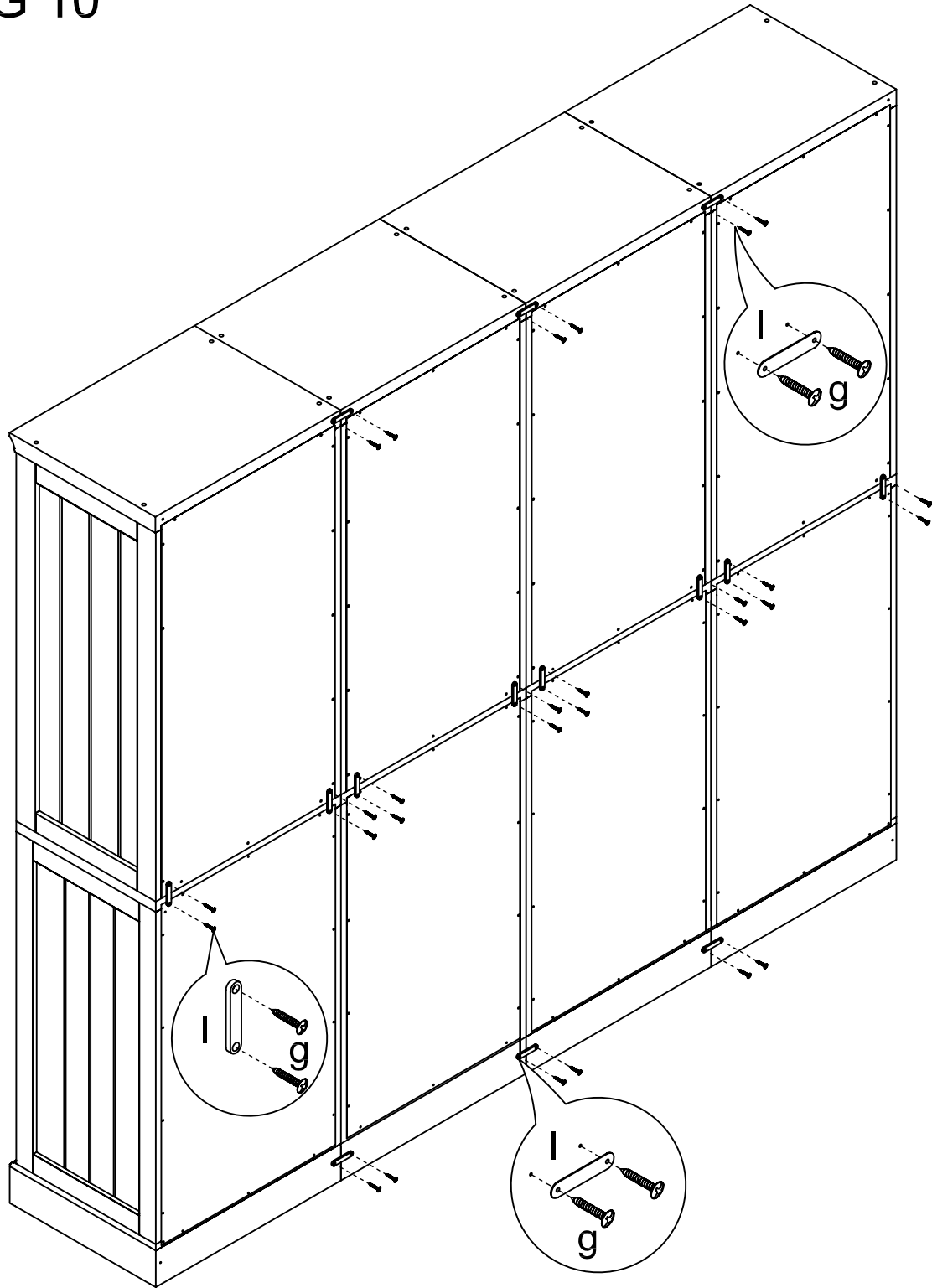
- TIGHTEN THE RECTANGLE METAL PLATE (1) TO THE REAR OF THE TOP PANEL (A) BY USING 1/2" FLAT HEAD SCREW (2).
- PLACE THE ASSEMBLED MODULAR BAR-OPEN X BASE AT THE DESIRED POSITION. MARK THE INSERTION POINTS FOR THE PLASTIC ANCHOR (3).
- USING THE PROPER HARDWARE FOR YOUR WALL TYPE, DRILL 1/4" HOLES INTO THE WALL.
- TIGHTEN THE RECTANGLE METAL PLATE (1) TO THE PLASTIC ANCHOR (3) BY USING THE 1-1/2" FLAT HEAD SCREW (5).

FIG 9



- USING THE PLASTIC BAND (4) CONNECT TWO RECTANGLE METAL PLATES (1).

FIG 10



● CONNECT UNITS BY USING THE 5/8" L ROUND HEAD SCREW (g) AND THE METAL CONNECTING PLATE (I) AS SHOWN.