



**Vault™**  
Top-mount/Under-mount Bar Sink  
**K-3840-1**

**Features**

- 18-inch minimum base cabinet width.
- 18-gauge stainless steel.
- Top-mount or under-mount.
- Single bowl.
- 9-inch depth.
- Single faucet hole.
- Includes bottom bowl rack.
- Includes installation hardware.
- 15" (381 mm) x 15" (381 mm).

**Optional Accessories**

- K- 8801 Sink Strainer
- 1177161 Installation Clip Kit

**Components**

Product includes:

- K- 2993 Bar Sink Rack
- Additional included component/s: Cut-out template, and Hardware kit – top-mount.



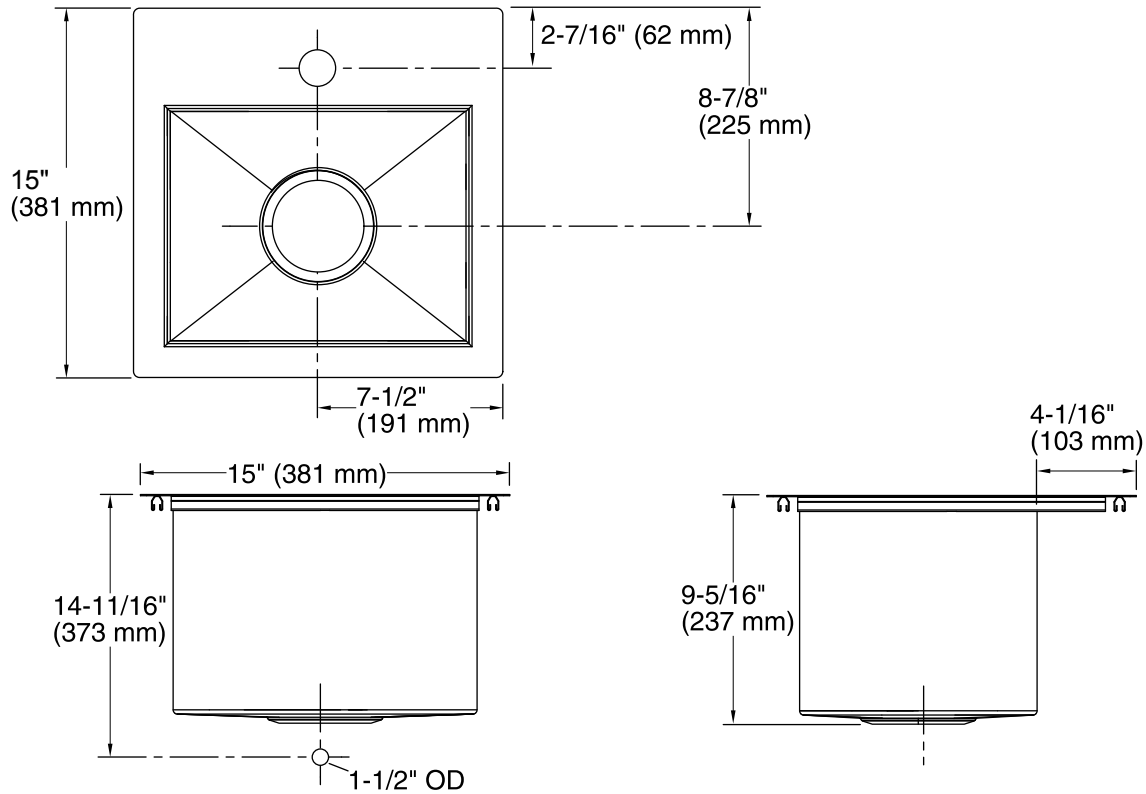
**ADA**

**Codes/Standards**

- ASME A112.19.3/CSA B45.4
- ADA
- ICC/ANSI A117.1
- CARB P2

**Lifetime Limited Warranty for  
KOHLER® Stainless Steel Sinks**

See website for detailed warranty information.



## Technical Information

All product dimensions are nominal.

Bowl configuration: Single

Installation: Top-mount, Under-mount

Bowl area (Only) Length: 12-1/4" (311 mm)  
 Width: 9-9/16" (243 mm)  
 Bowl depth: 9" (229 mm)

Number of deck holes: 1

Faucet hole(s): 1-7/16" (37 mm)

Drain hole: 3-5/8" (92 mm)

Template: Top-mount/Under-mount, 1161548-7,  
 required, included

## Notes

Install this product according to the installation guide.

ADA compliant when installed to the specific requirements of these regulations.