





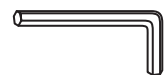



Examine all packaging material for small parts that may have come loose during shipment. Periodic checks are recommended to insure that all components are in proper position, tight and free from damage. Keep this assembly instruction for future reference. Adult assembly is required. The product of Hillsdale Furniture, LLC is designed for residential use only. Customer Service Phone Number: 502-562-0000

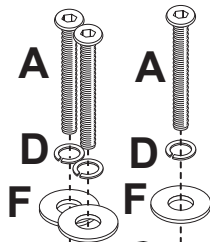
### HARDWARE LIST

- A(10) Long Allen Bolts M6 x 40mm
- B (4) Medium Allen Bolts M6 x 35mm
- C (4) Small Spring Washers
- D(10) Large Spring Washers
- E (4) Small Flat Washers
- F (6) Large Flat Washers
- G (1) Small Allen Wrench
- H (4) Wood Screws 32mm

PART	QTY	HARDWARE	PART	QTY	HARDWARE
A	10		B	4	
C	4		D	10	
E	4		F	6	
G	1		H	4	

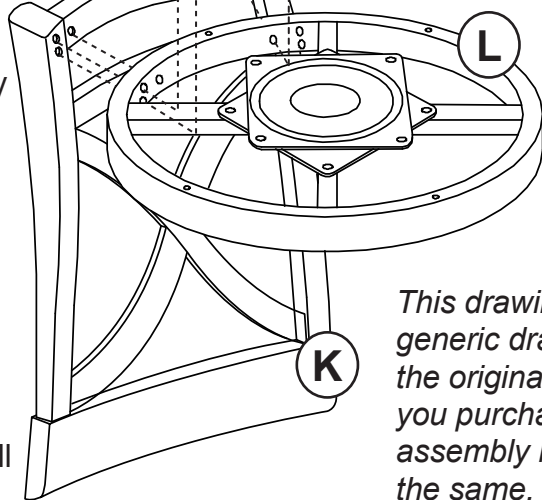
### PARTS LIST

- K (1) Stool Back
- L (1) Seat Base
- M (2) Leg Panels
- N (1) Support Ring
- P (1) Seat Cushion



### STEP 1

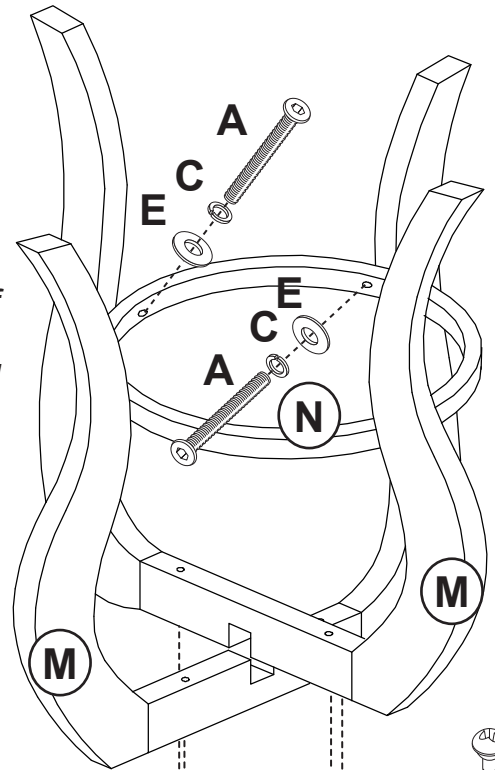
Begin the assembly by attaching the Seat Base (L) to the Stool Back (K). Once in place, secure each arm of the Stool Back (K) using 3 Long Allen Bolts (A), 3 Large Spring Washers (D) & 3 Large Flat Washers (F) per side. Tighten all bolts using the Allen Wrench (G).



*This drawing is a generic drawing of the original item you purchased. All assembly remains the same.*

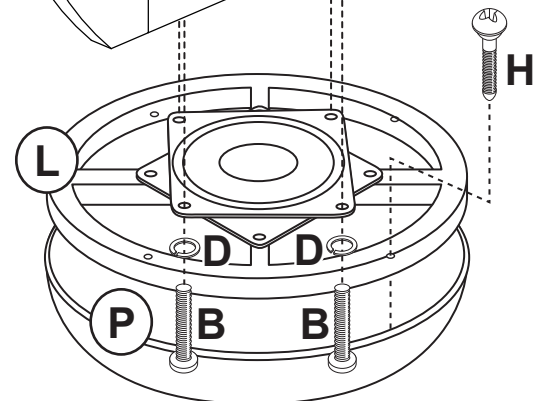
### STEP 2

Attach each Leg Panel (M) together by sliding each into place. During assembly, secure the Support Ring (N) to the inside of each leg using 1 Long Allen Bolt (A), 1 Small Spring Washer (C) & 1 Small Flat Washer (E) per leg. Tighten all bolts.



### STEP 3

Attach the top Leg Panel (M) to the Swivel Metal Plate using 4 Medium Allen Bolts (B) & 4 Large Spring Washers (D) to secure in place. Tighten all bolts.



### STEP 4

Finally, attach the Seat Cushion (P) to the top of the Seat Base (L) using 4 Wood Screws (H) from the bottom. Only tighten screws using a phillips head screw driver (not included). The assembly is now complete.