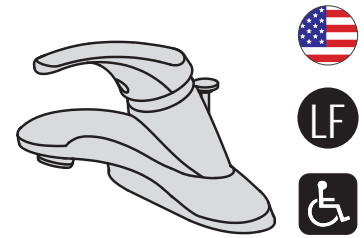


Location:




Symmetrix®

Lavatory Faucet S-20 Series Specification Submittal



S-20-2
Standard handle

Feature Highlights

- Single lever faucet with red & blue indicators on handle
- Ceramic control components and handle limits stop
- Supply has 3/8 inch copper tubing
- 4 inch (102mm) centers
- Metal construction
- Polished chrome finish (standard)
- Aerator with 2.2 gpm flow rate (8.3 L/min)
Optional aerator available in lower flow rates 

Standards / Certifications

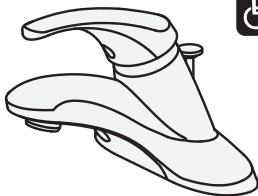



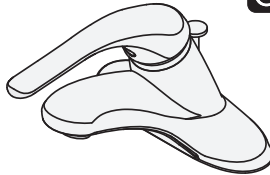

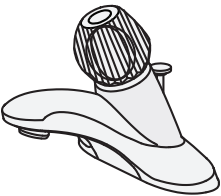
ASME A112.18.1/CSA B125.1
NSF/ANSI 61.9; NSF/ANSI 372
WaterSense: 1.5 gpm (5.7 L/min)



Warranty

- Limited Lifetime - to the original end purchaser in residential / consumer installations
- 5 years - for commercial installations

S-20 series handle options

Standard	LP	W	LCT
 	 	 	

Model Numbers

Append appropriate -suffix to model number.

- S-20 Faucet only with lift rod hole
- S-20-0 Faucet only without lift rod hole
- S-20-1 Faucet with lift rod
- S-20-2 Faucet with pop-up drain & lift rod
- S-20-2-G Faucet with grid strainer drain assembly

Handle Options / Modifications

Append appropriate -suffix to model number.

- LP Loop handle with metal finish
- LCT Clear acrylic handle (only available with 20 inch braided supply hose, option -BH)
- W 6 inch (152 mm) lever handle with metal finish, handle with red & blue indicators on handle (polished chrome finish only)

Finish Options / Modifications





Append appropriate -suffix to model number.

- STN Satin nickel*
- Polished chrome (standard)

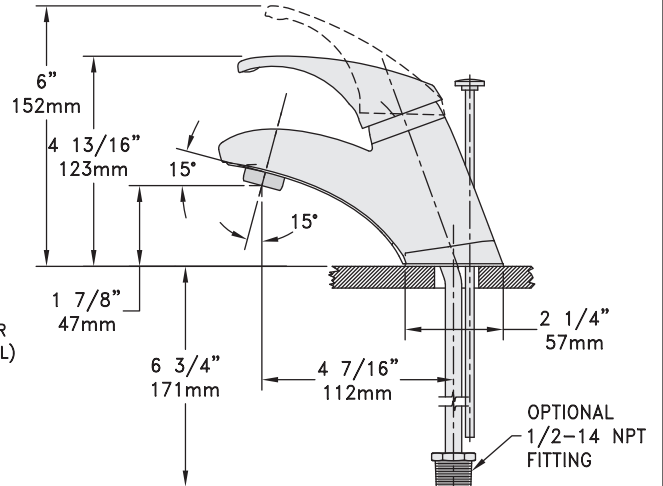
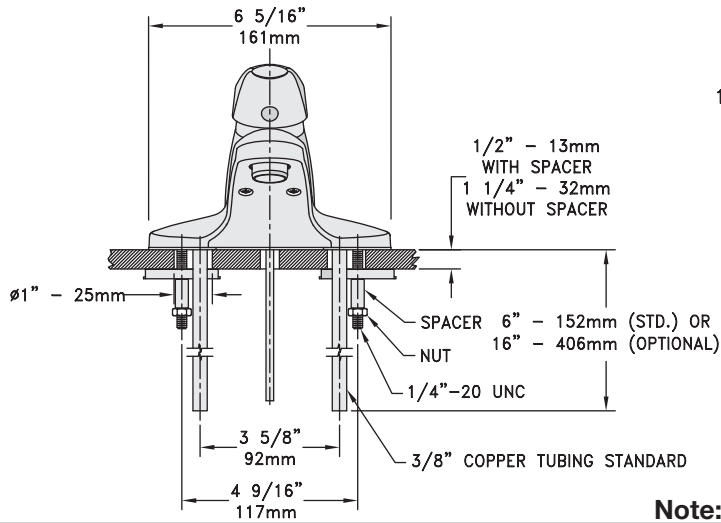
*Note Handles with red/blue indicators are not available with decorative finishes.

Other Options / Modifications

Append appropriate -suffix to model number.

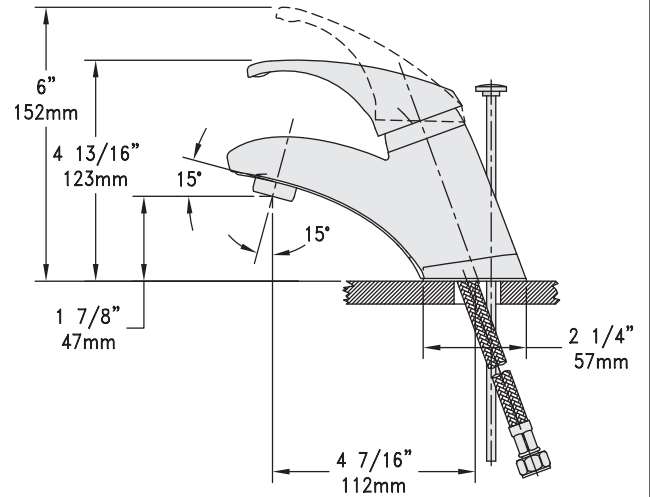
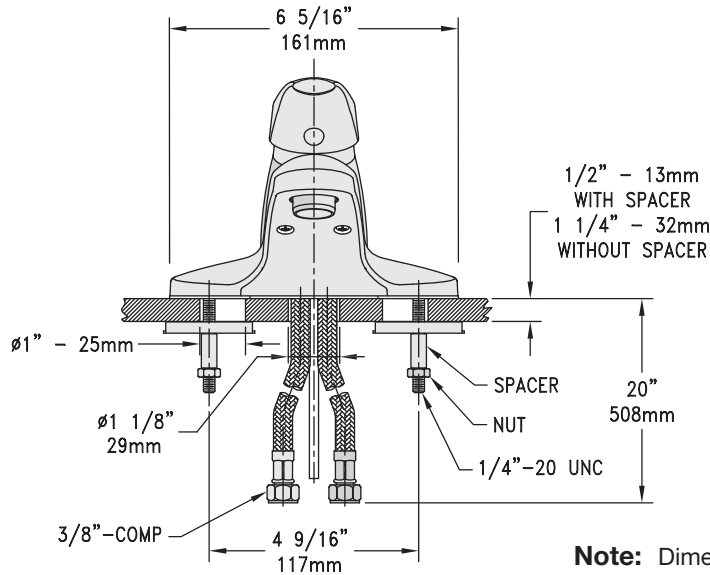
- LST 16 inch copper supply tubing
- BH 20 inch braided supply hose
- IPS 1/2 inch IPS connections
- OFG Offset grid strainer (model S-20-2-G only)
-  -0.35 Aerator flow restrictor, 0.35 gpm (1.3 L/min)
-  -0.5 Non-aerated laminar spray, 0.5 gpm (1.9 L/min)
-  -1.0 Aerator flow restrictor, 1.0 gpm (3.8 L/min)
-  -1.5 Aerator flow restrictor, 1.5 gpm (5.7 L/min)
- VP Vandal resistant aerator (not available for -1.5)

Dimensions Symmetrix Lavatory Faucet, S-20-2



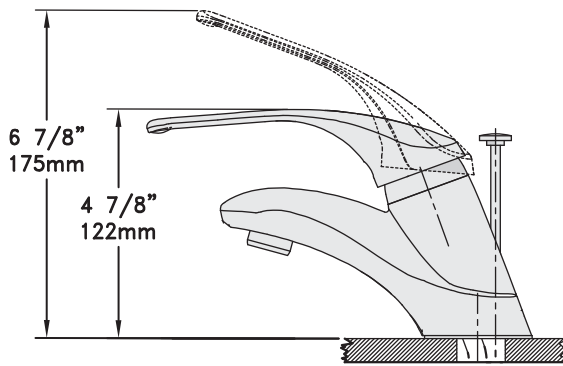
Note: Dimensions subject to change without notice.

Dimensions Symmetrix Lavatory Faucet, S-20-2-BH (with braided supply hose)

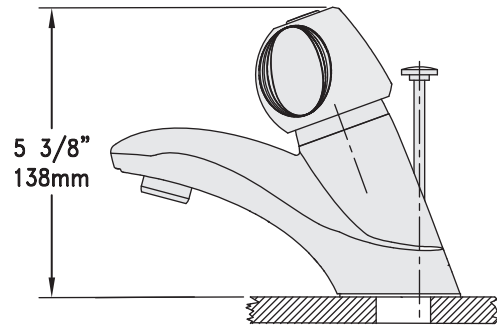


Note: Dimensions subject to change without notice.

Dimensions Symmetrix Lavatory Faucet, S-20-2-W (S-20 Series with optional lever handle, option W)



Dimensions Symmetrix Lavatory Faucet, S-20-2-LCT (S-20 Series with acrylic handle, option LCT)



Symmons Industries, Inc. ■ 31 Brooks Drive ■ Braintree, MA 02184
Phone: (800) 796-6667 ■ Fax: (800) 961-9621
Website: symmons.com ■ Email: gethelp@symmons.com

Copyright © 2017 Symmons Industries, Inc. ■ ZV-1514 REV D ■ 053117

SYMMONS[®]
the smart choice™