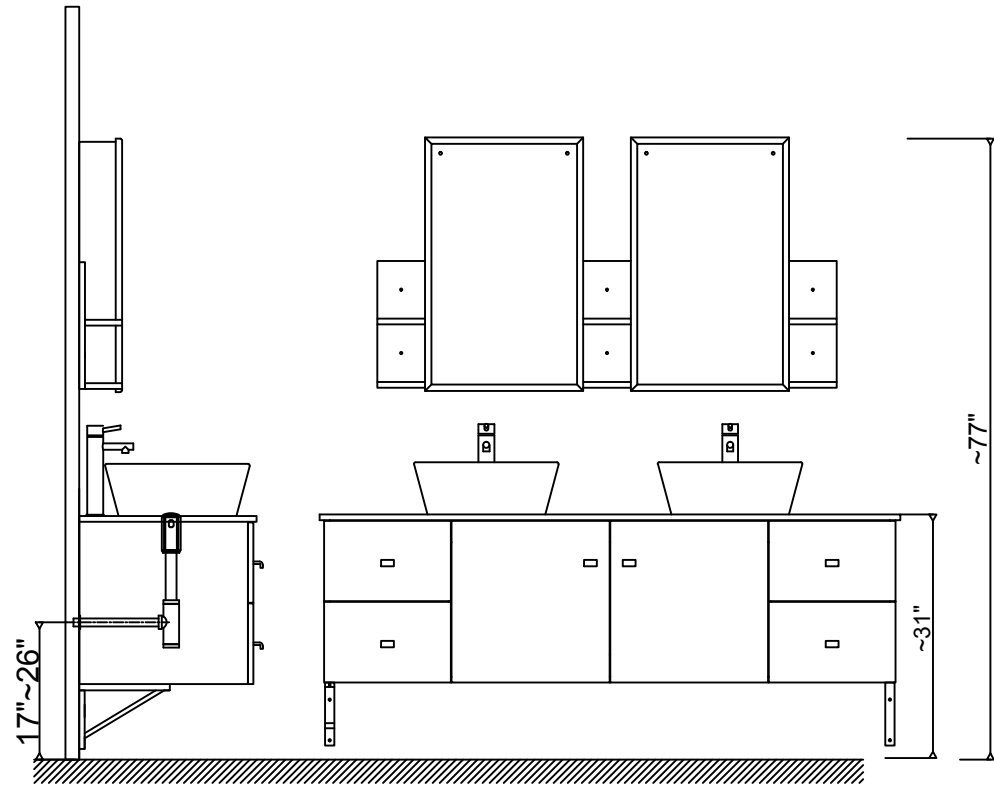


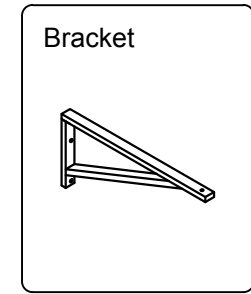
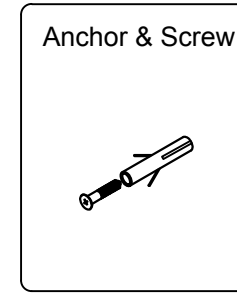
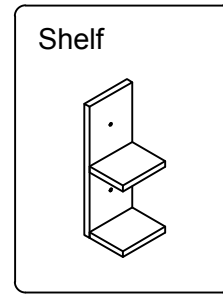
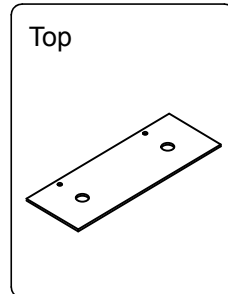
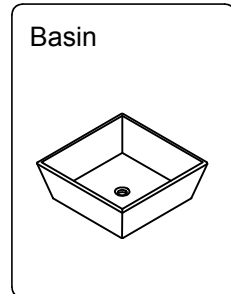
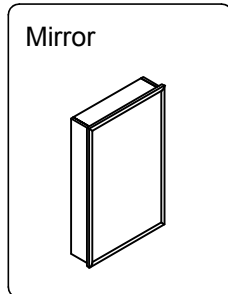
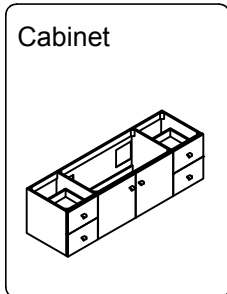
Prior to installation, please check the items you have received against the packing list. Report any missing items to your local dealer immediately.

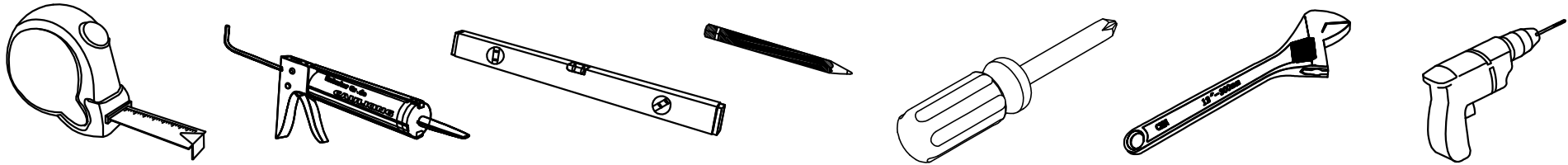
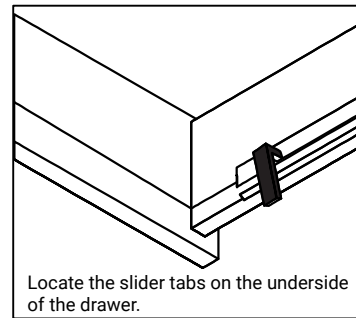
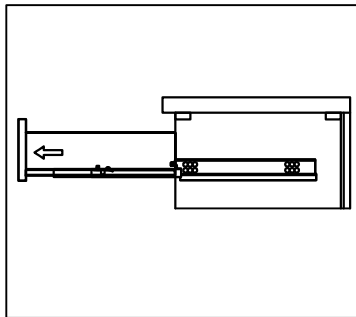
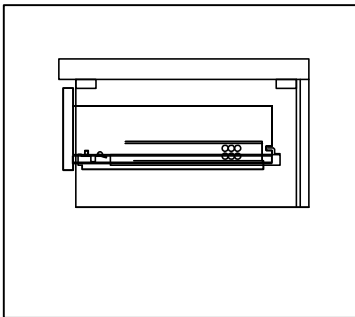
Protect all surfaces from sharp objects, high heat sources, direct prolonged sunlight and chemical hazards.

Professional installation is recommended.



PARTS LIST (may differ depending on purchase)

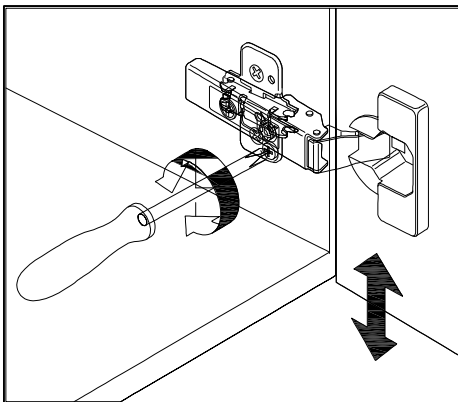


REQUIRED TOOLS**DRAWER REMOVAL****REMOVAL**

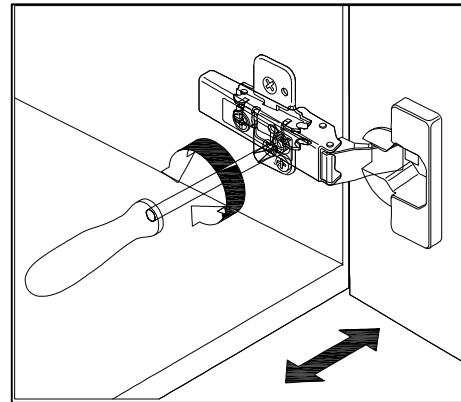
1. Pull tabs toward center
2. Lift and pull drawer out

RE-INSTALL

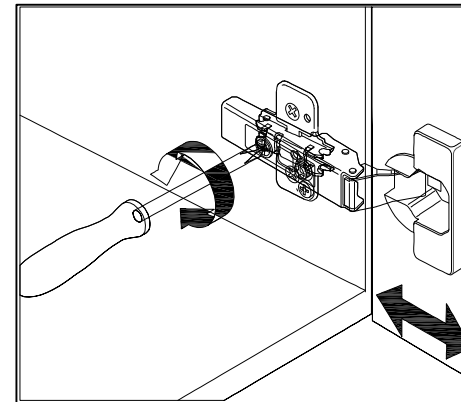
1. Align drawer hole with slider stud
2. Push tabs back in to secure

DOOR ADJUSTMENT

Adjusts the door vertically



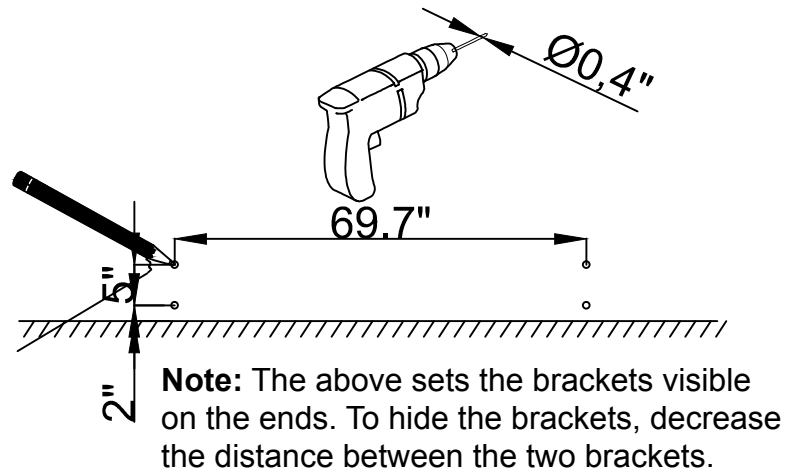
Adjusts the door horizontally



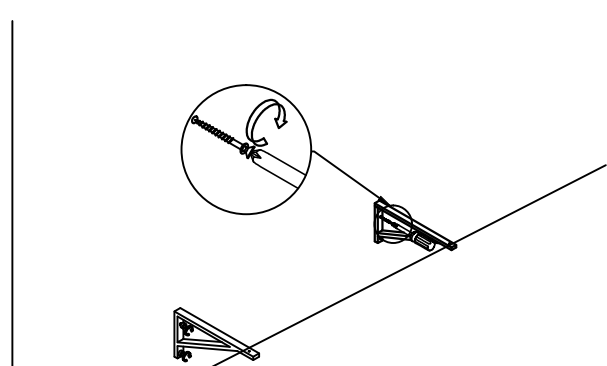
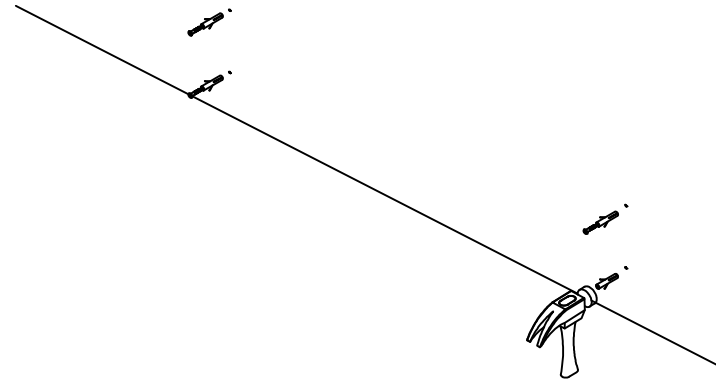
Adjusts the door forward and backwards

Bracket Installation

Mark at distances shown below. Drill holes.

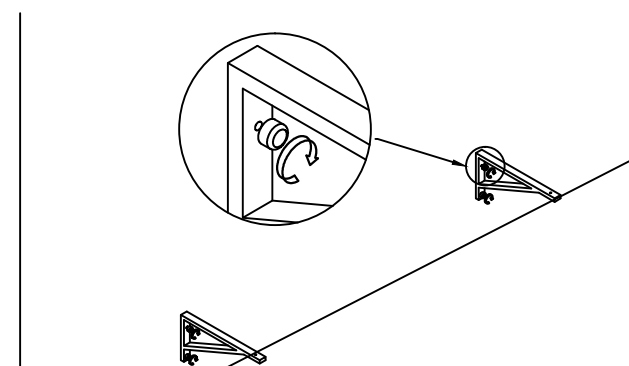


Install drywall anchors into holes.



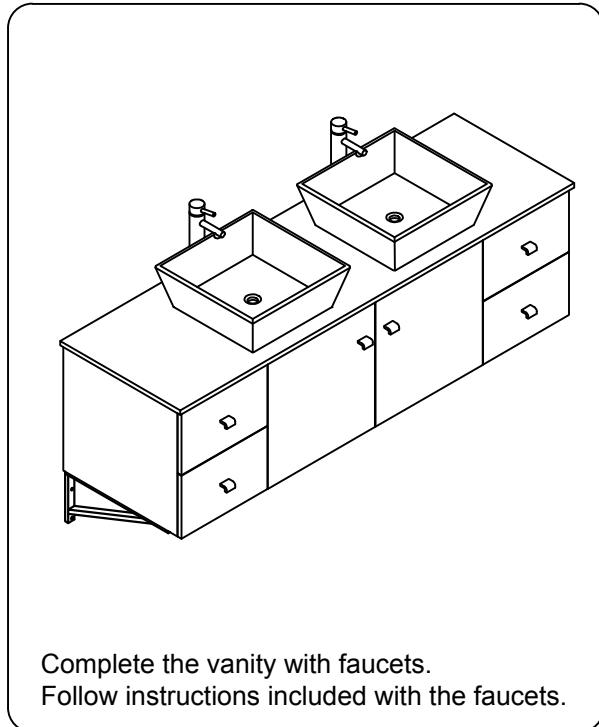
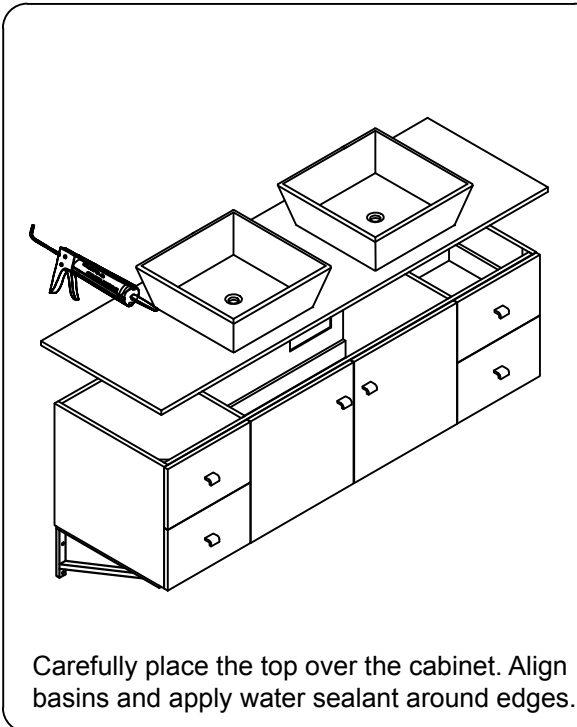
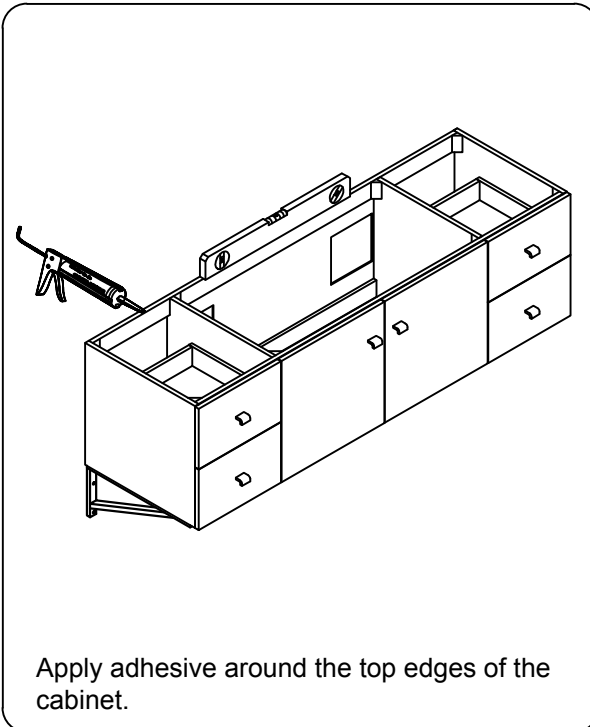
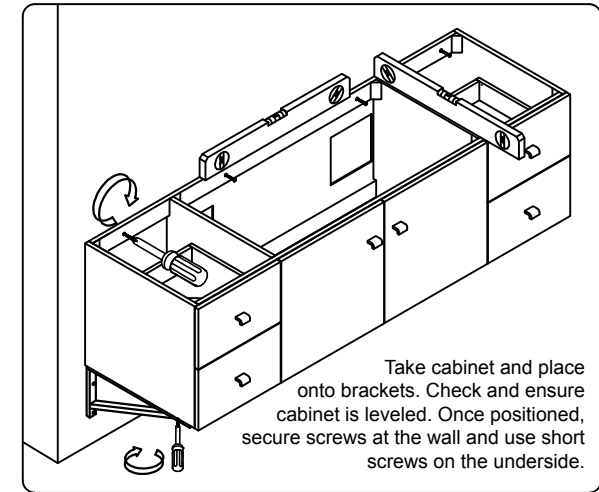
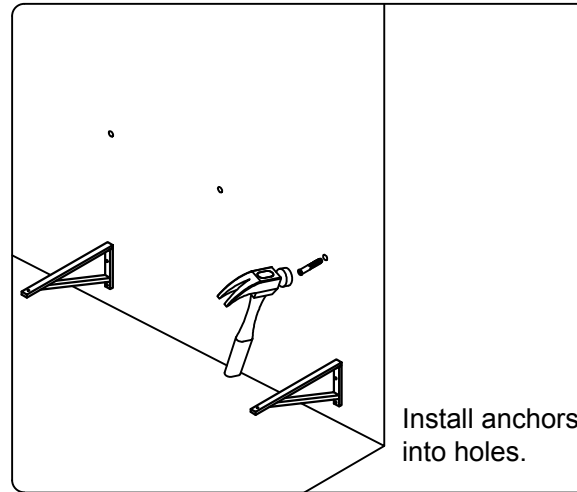
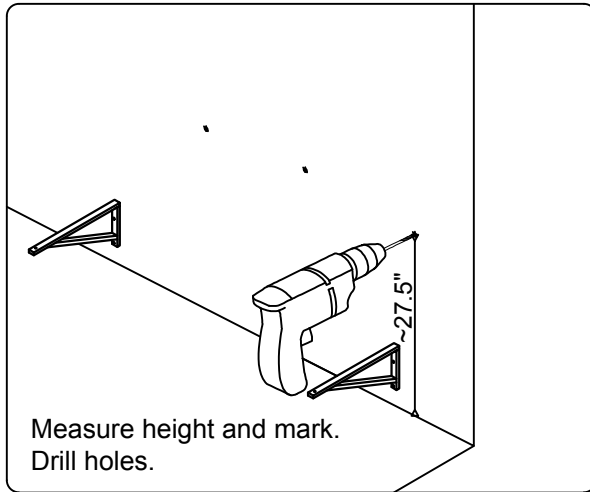
The diagram shows a perspective view of a wall with a diagonal line. A circular inset shows a close-up of a threaded washer being inserted into a hole. A long screw is shown being inserted into the hole. A hand is shown using a screwdriver to tighten the screw into the wall.

Take the threaded washer (inset facing outward) and put the long screw through. Install the screw into the wall. Repeat for the other bracket.



The diagram shows a perspective view of a wall with a diagonal line. A circular inset shows a close-up of a metal cap being twisted clockwise onto a screw. A hand is shown using a screwdriver to tighten the cap.

Take the metal caps and twist clockwise until secure.

Cabinet Installation

Shelf Installation

