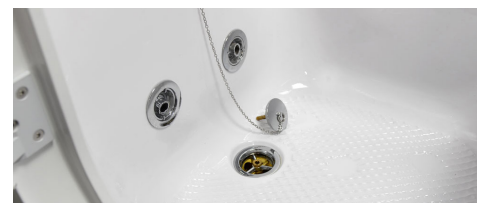


2018



ella
by ella's bubbles

ELLA HYDRO MASSAGE OUTWARD SWING DOOR WALK IN BATHS **OWNERS MANUAL**

REPRESENTING THESE MODEL NUMBERS:



OA3052H
Malibu

OA2660H
Lounger

O2SA3060H
Tub4Two

OA3252H
Monaco

OLA3052H
Transfer

IMPORTANT

Warranty Activation Form **MUST** be completed for both the Owner and Installer to validate the warranty.

Failure to complete both pages will void the warranty on this bathtub.

Completed Ella Warranty Activation Forms can be emailed to warranty@ellasbubbles.com, faxed to 312.666.3551, OR mailed to 2101 S. Carpenter St., Chicago, IL 60608

Unpack and Inspect 1

Move your Ella Walk in Bath 2

Important Safety Instructions 3-4

Before Installation 5

Drain and Plumbing 6

Preparing the Sub-floor..... 7

Service Access and Door Seal 8

Hydro Massage System Diagram 9

Water Supply Lines 10

Installation of Spout..... 11

Finishing Installation..... 12

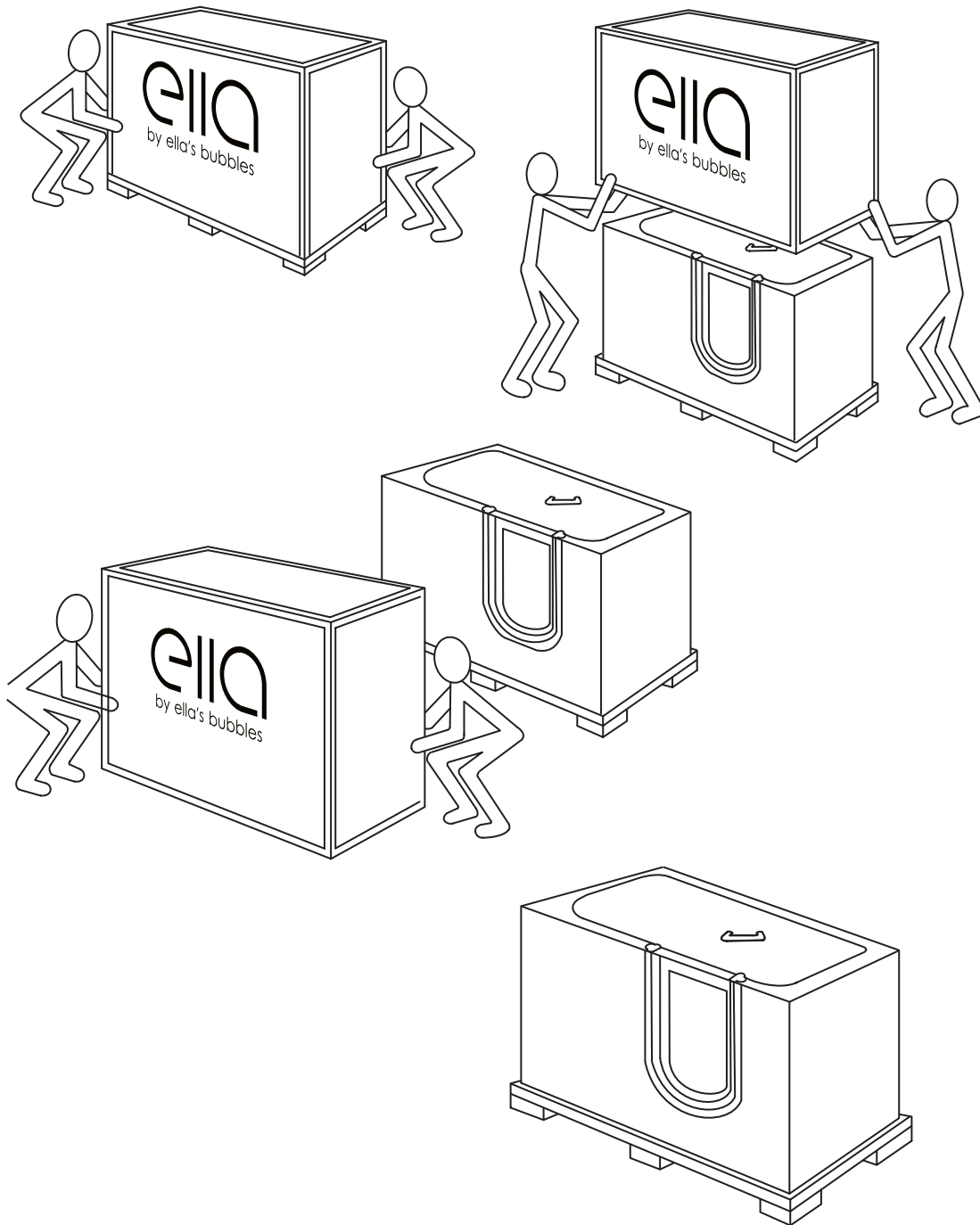
Operating Instructions 13-15

Cleaning and Maintenance 16

NuWhirl System..... 17-22

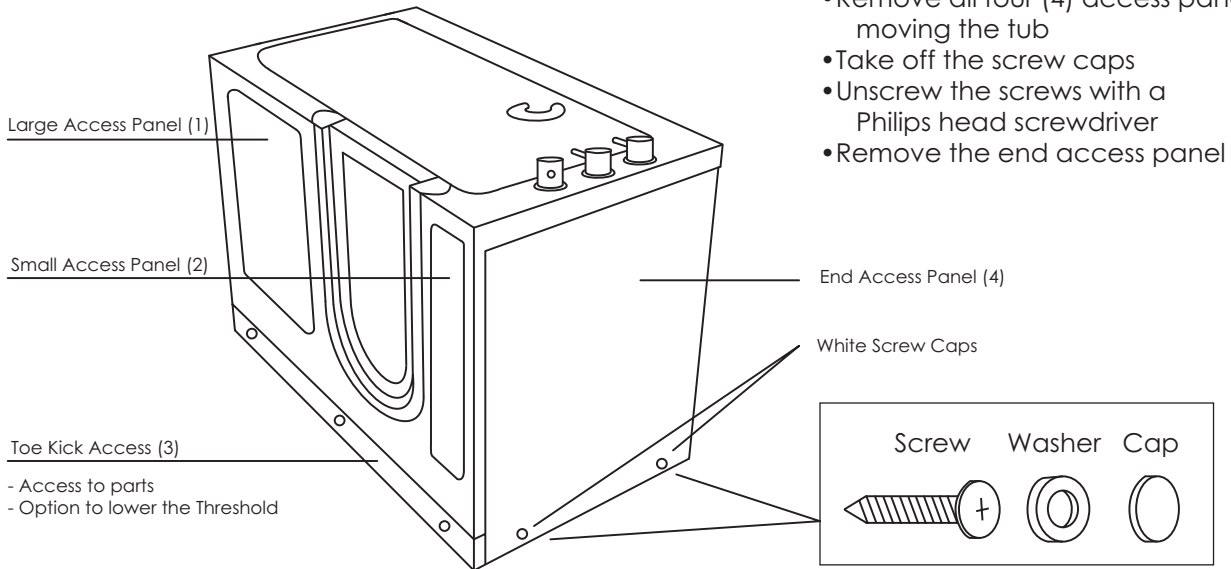
Warranty Information..... 23

Warranty Activation Form 24-25



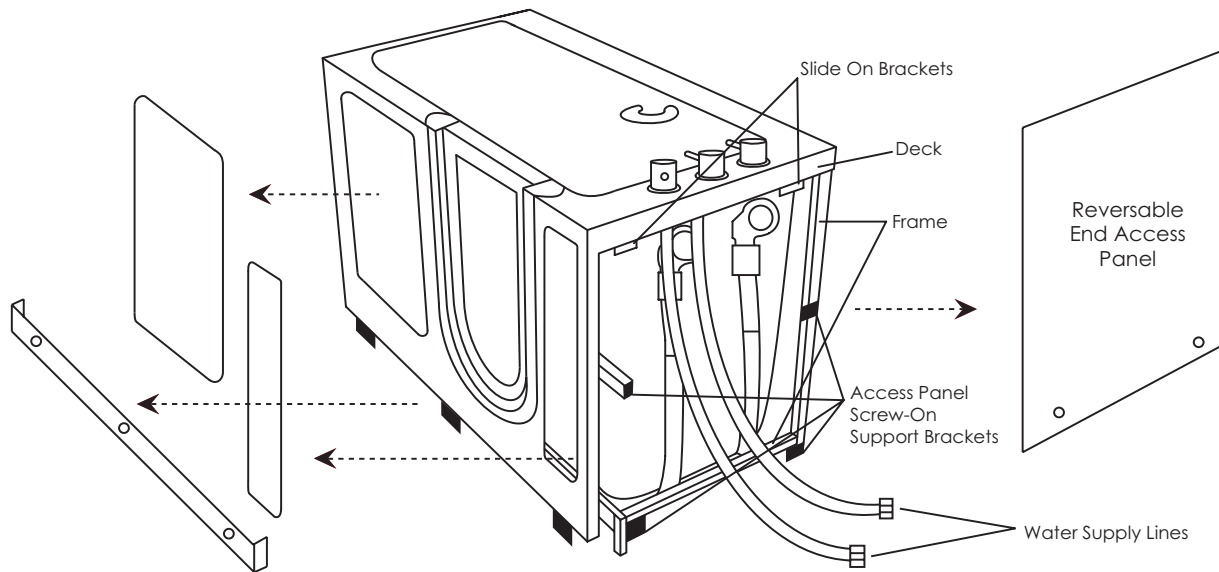
NOTE: Returns are only accepted in original packaging used for shipping. Use caution so as not to damage cardboard crate or its wooden pallet. Do not dispose of shipping material until installation is complete. Please visit our website, www.ellasbubbles.com for complete details of return/exchange policy.

Move your Ella Walk in Bath



- Remove all four (4) access panels before moving the tub
- Take off the screw caps
- Unscrew the screws with a Phillips head screwdriver
- Remove the end access panel

WARNING: Do not carry the walk in tub by the panels. Be careful when carrying the tub, avoid front panel contact with the floor or stairs to prevent damages. Make sure no loose parts are hanging down. Remove all four (4) access panels before carrying the tub to prevent them from falling out and breaking.



WARNING: Lift and carry the tub only by the frame. Protect the bottom of the tub to avoid breaking the air jets positioned on the bottom of the tub.

WARNING:

*****Read through the entire manual completely before beginning installation.*****

Contract a licensed plumber and electrician for installation. Be sure you and your contractor are aware and follow all local plumbing and electrical codes. Your Ella Walk in Bath is not intended for outdoor use. Install the tub in accordance with the instructions in the manual. Use ONLY the parts and accessories provided or as recommended by the manufacturer.

CAUTION:

When using this product, basic precautions should always be followed. Read and follow all instructions pertaining to risk of fire, electric shock and injury. Make sure and have your licensed electrician test all connections to the dedicated line, including the GFCI.

Risk of electric shock; Do not permit electric appliances within 3 feet (1.5m) of the tub. i.e.: hair dryers, lamps, phones, radios, televisions, etc.

To reduce the risk of injury, do not permit children or persons with disabilities to use this product unless they are supervised by an able-bodied adult at all times. Never drop or insert any objects into any openings.

Do not turn on the Hydro jets without water reaching the waterline. The waterline is the point where all jets are covered with water.

DANGER:

Temperature in excess of 100.4 Fahrenheit (38 Celsius) may be harmful to your health. Check and adjust the temperature before use. Consult your physician before using your Ella Walk in Bath if you have a heart condition or other health issues. People using medications, herbal remedies, sleep aids, and/or having adverse medical history should consult a physician before using this product.

Pregnant women should NOT use this product before consulting their physician. Avoid the use of alcohol, drugs or other medications while using your walk in bath.

Be aware, hyperthermia is a risk when raising body temperature. Do not keep body submerged in heated bath for extended periods of time. The symptoms of hyperthermia include an increase in body temperature which can cause dizziness, lethargy, drowsiness and fainting. Avoid using the heated bath after strenuous activity.

Exercise caution while entering and exiting your Ella Walk in Bath.

PLEASE READ BEFORE BEGINNING INSTALLATION

WARNING: Please make sure the floor drain screw is adjusted to the optimum height to close off the floor drain opening. Tighten securely with the back nut. If the screw is not tightened it can fall inside the drain and get lost.



WARNING: To prevent stripping the PVC threads, **ONLY** hand tighten the drain elbow. **DO NOT** tighten with tools.



Protecting the Bath

Cover and protect the bath shell and fixtures from scratches or other damages during the installation and tests. Remove the access panels when moving the Walk in Bath and always lift the bathtub from the frame (Page #2).

Water Test

Fill tub for a minimum of 20 minutes to test that the Hydro and Air Pumps are functioning properly before final in-wall installation to avoid unnecessary repairs or removal.

Electrical

The unit **MUST** be connected to a circuit protected by a ground fault circuit interrupter (GFCI) provided and installed by a licensed electrician and tested periodically (refer to instructions provided by GFCI manufacturer). Electrical requirement is one dedicated 120 V electrical line with a 20 AMP GFCI breaker three prong outlet. A licensed electrician for your area is required to install and test the electrical installation process.

DO NOT use any kind of extension cords to power the unit.

Operating the pumps without first filling the bath to above the jets can cause permanent damage to your equipment.

Push the GFCI "test" button into "reset" mode. If the GFCI fails to operate in this manner, there is a ground current flow or a device malfunction, indicating the possibility of electrical shock. If this occurs, turn OFF the power and do not use the bathtub until the source of the problem has been identified and corrected.

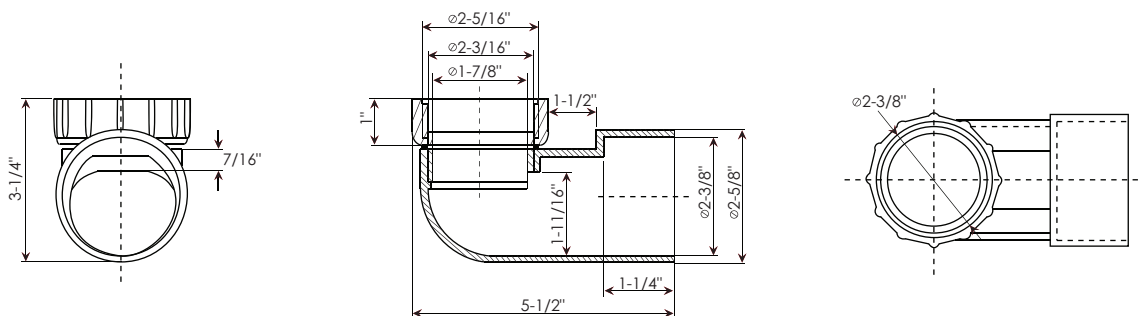
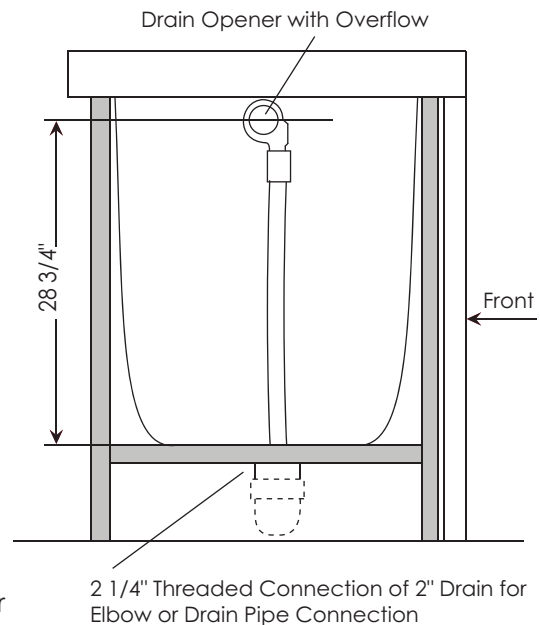
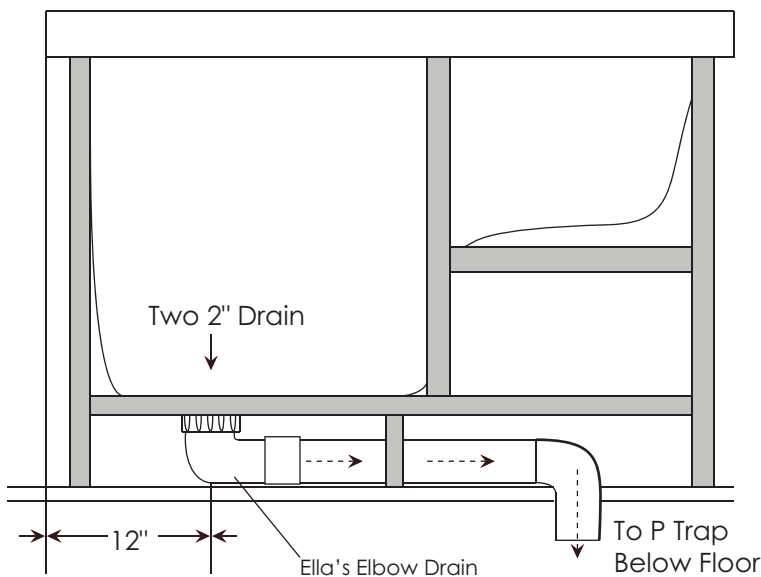
*Consult your licensed contractor to determine correct water heater size.

Make sure that the drain rough in has been placed at the proper location. **The specifications and drawings shown below and on page #7 are demonstrative (each model comes with separate specifications, please refer each model's specification).** The dual drain can be connected with a "T" or "Y" connection into existing house drain. Proper materials must be used based on local plumbing code requirements.

NOTE: Flexible drains are not permitted in some areas. The customer and their contractor are responsible for using the appropriate solution to meet the current local construction and plumbing code requirements, proper drainage, and rodding access to the drain. The contractor and customer is responsible for testing the house drain prior the installation of the walk-in bathtub to assure proper drainage of the bathtub. The drainage time varies due to condition of the house drain.

Specifications vary by model, please refer to the drawing that matches the model being installed.

Drain Elbow Options

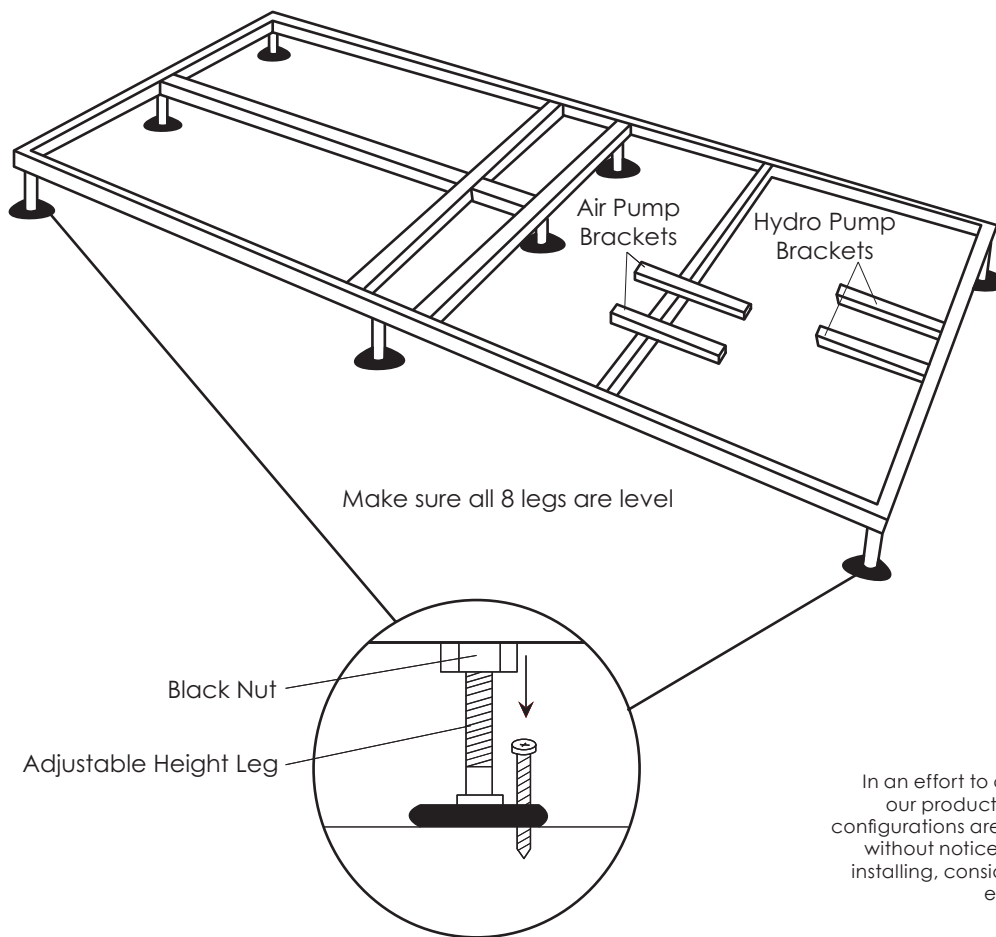


Disclaimer:

In an effort to continually improve our product, specifications and configurations are subject to change without notice. Before ordering or installing, consider future access to essential equipment.

Prepare the sub-floor for the drain and ensure that the area is level. The supporting sub-floor must be able to support the total weight of the bathtub, bather and water.

Use a level and make sure that the sub-floor below the tub is leveled. If the floor is not perfectly level, adjust the appropriate leveling legs to re-align the tub to perfect level. It is important that all of the leveling legs are completely supporting the tub (touching the floor with equal weight distribution) and the tub is leveled for the door seal to work properly. If the tub is not perfectly leveled, it could result in water leakage and void the warranty.



Disclaimer:
In an effort to continually improve our product, specifications and configurations are subject to change without notice. Before ordering or installing, consider future access to essential equipment.

NOTE: Drawing above shows frame layout demonstration. Each model drain layout may vary. Please reference appropriate specification drawings for proper drain locations. Adjust the legs and lower the bath to within 1/16th of an inch above the floor or tile. Seal with white silicone or caulking if appropriate. If the sub-floor does not support the total weight of the bath, bather and the water, it can result in warping of the shell, misalignment of the door and/or create leaks and damages to the building structure.

Service Access and Ventilation

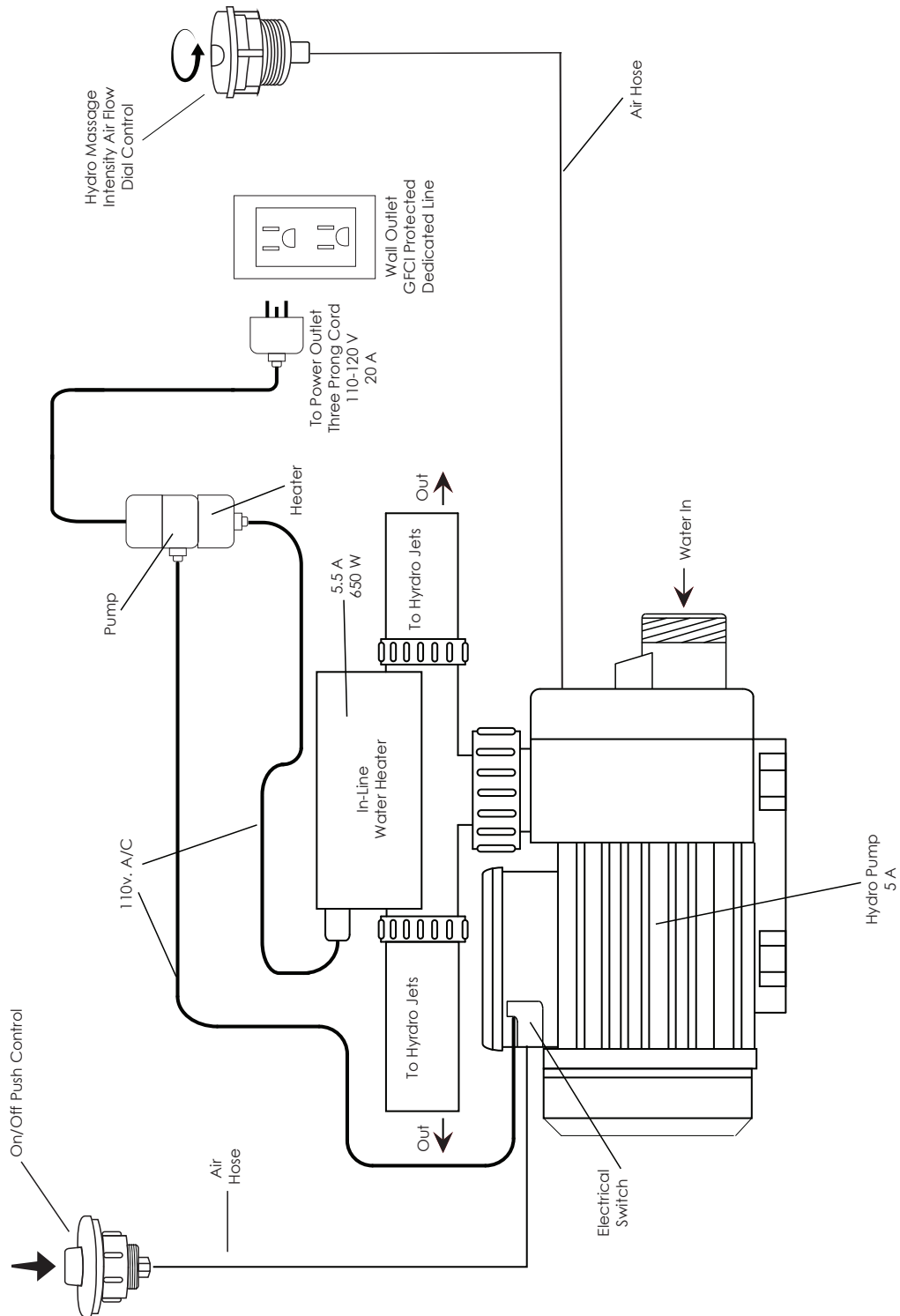


It is the responsibility of the installer or owner to provide access for service required, per code. Ella is not responsible for any costs related to obtaining access for repair. The owner shall assume responsibility for such costs, and if appropriate, must seek recovery from the installer.

Do not insulate around the tub equipment. The tub, frame and all parts have been engineered to provide the proper ventilation. Any obstructions may cause the pumps or other electrical components to overheat.

Door Seal

Please keep in mind that the door has been closed for an extended period of time throughout shipping and the bathtub has been stored in various temperatures. It is possible for the silicone seal to stick to the frame when stored for extended periods of time. When the bathtub is received, the door seal should be checked for deformations from shipping and re-formed and adjusted where necessary. To restore the door seal, the seal must be released and allowed to relax with the door open. This is done by squeezing the seal with your finger tips and pulling it away from the door frame to regain its flexibility and original form. It is recommended that the door be kept open when not in use to increase the lifetime of the door seal and maintain its flexibility.



Heated seat and backrest (optional)

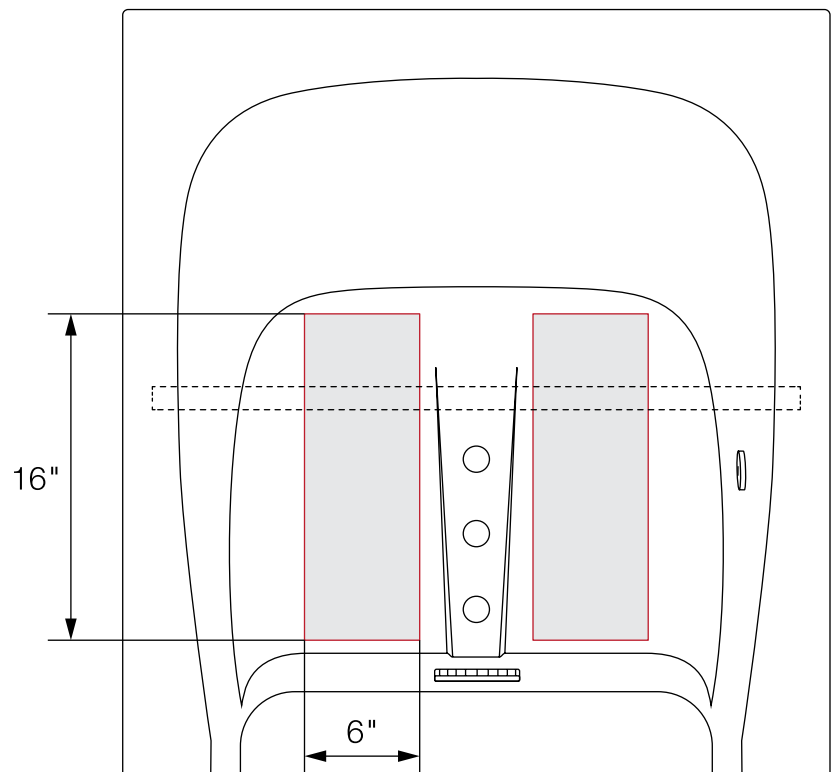
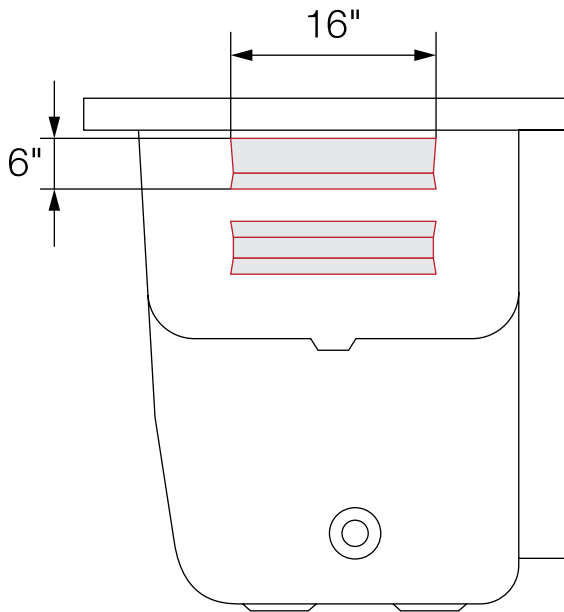
Heated Seat and Backrest

Specifications

Voltage:
Input - 120V
Wattage:
Back - 47.4W
Seat - 44.6W
Total - 92W

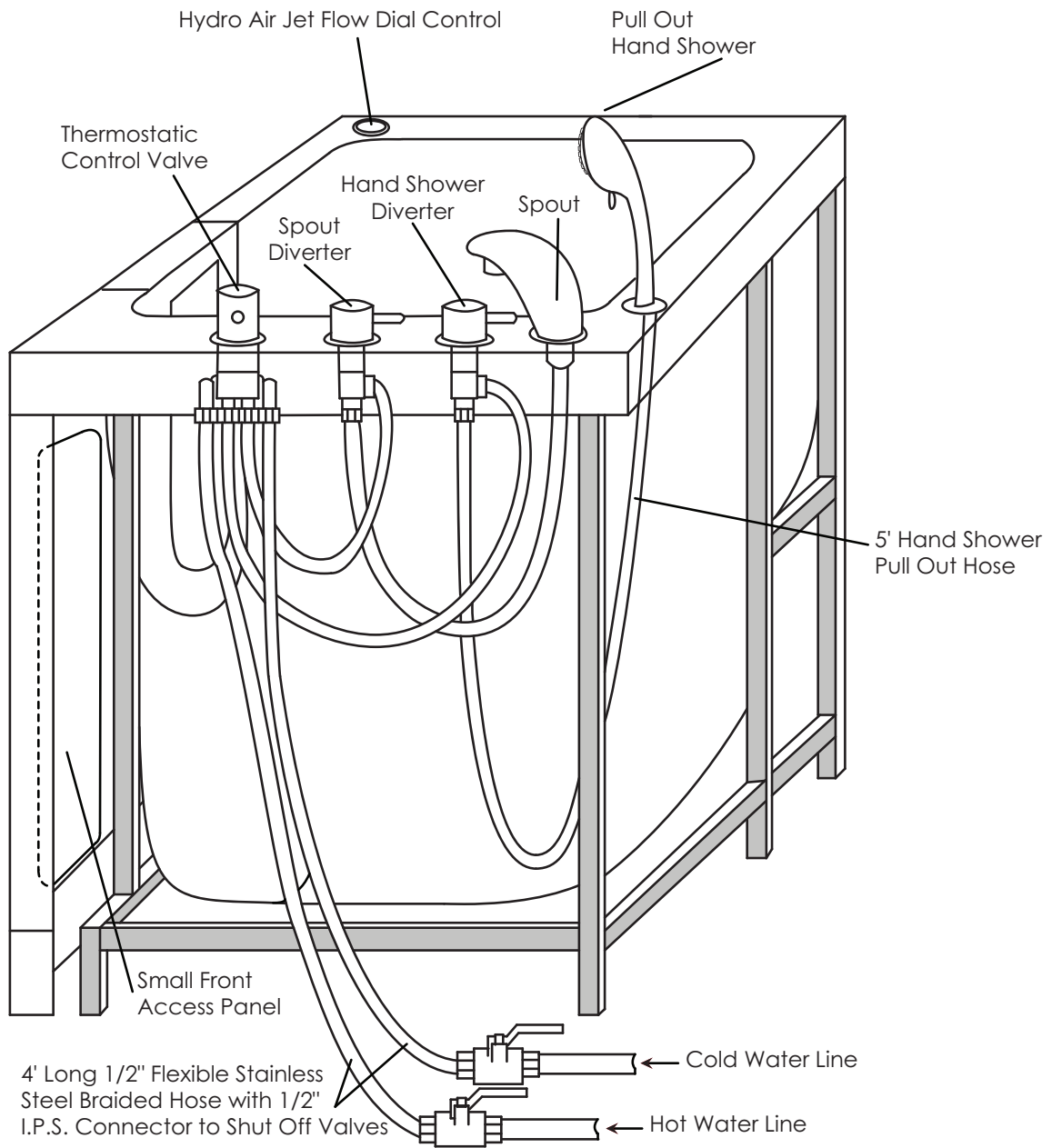
Components:

- (1) Controller Box
- (1) LED Keypad
- (2) Seat Heater
- (2) Backrest Heater



Water Supply Lines

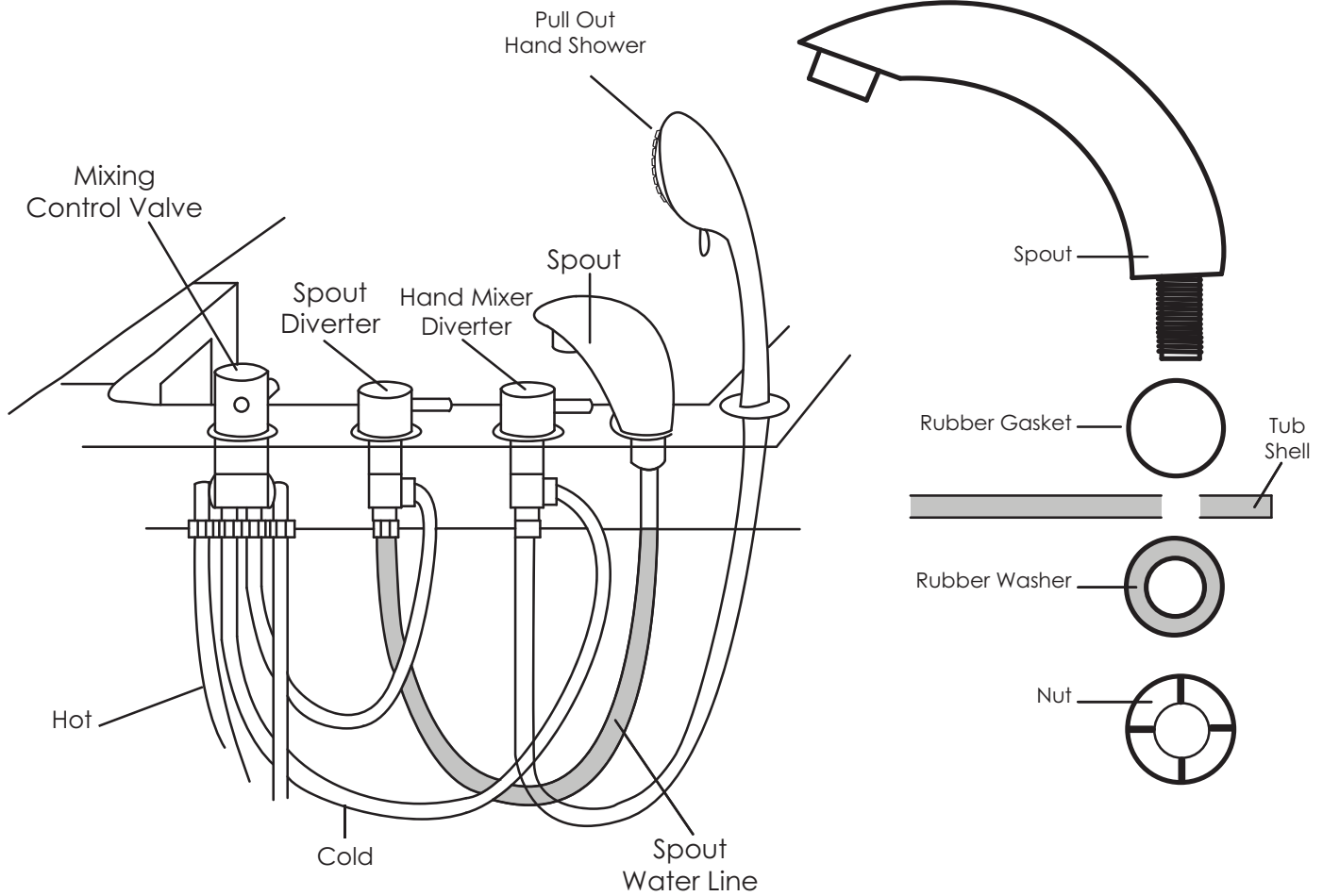
Ella Hydro Massage Walk in Baths with the Standard Ella Faucet (Thermostatic Control Valve) include two 4 ft. long 1/2" I.P.S. connection flexible water supply lines. **Please note: The 5-Piece Fast Fill Roman and 5-Piece Traditional Roman Faucet Sets do not include the I.P.S. connection flexible water supply lines.**



NOTE: It is recommended that shut off valves are installed behind the opening and in reach from the small access panel.

ALWAYS INSTALL SPOUT BEFORE THE WALK IN BATH IS IN PLACE.

- Parts List: Rubber gasket x (1)
 Rubber washer x (1)
 Brass mounting nut x (1)

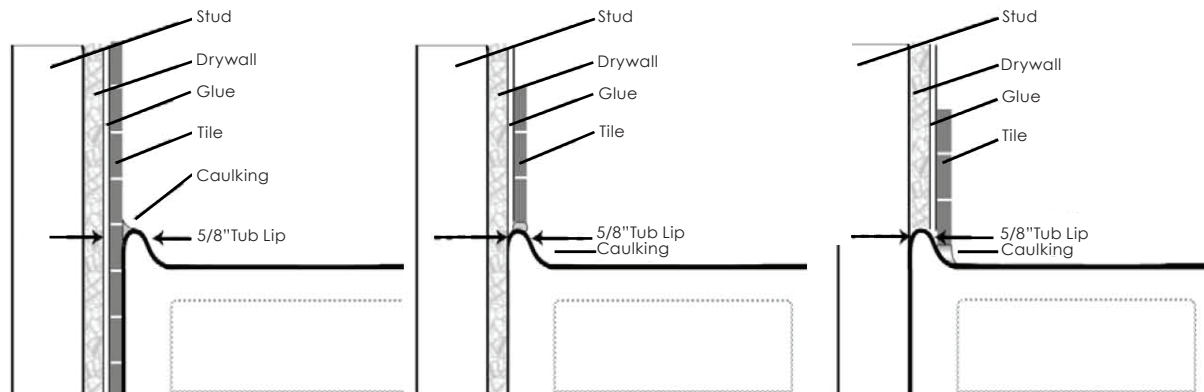


To Install the supplied spout, first place the rubber gasket on the bottom of the spout and make sure it is properly seated in its groove. Put the spout in through the hole in the tub shell (shown in the drawing above). Install the rubber washer and then the brass mounting nut. Locate the water line from the spout diverter and connect it to the threading on the bottom of the spout. Tighten all fittings and check for leaks.

***NOTE:** Rubber gasket only comes with the Elite, Royal and Petite models. **Spout must be tightened down prior to installation of tub.**

WARNING: Do not over tighten the water supply line. To tighten properly, it should be hand tight plus about a half a turn.

After all of the water and electrical testing is completed and all fixtures are checked, the tub can be installed to the surrounding wall or walls. Ella Walk in Baths come with low rise tile flange which allows for two or one wall installations.



The tub can be finished and tiled over as shown in images. Caulking must be applied to joints as needed after the bathtub is installed.

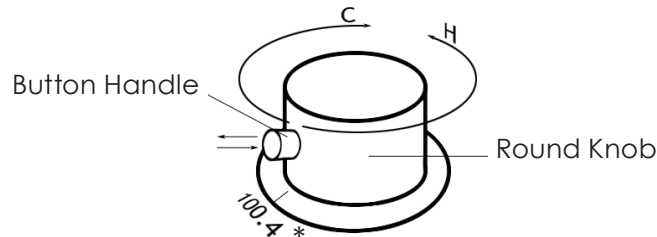
Threshold Lowering Option

Lowering the threshold is an option that can be chosen during installation. Because your Ella Walk in Bath is set up for easy installation, lowering the threshold requires the drain option to be set up below the floor (Page #6). To lower the Walk in Bath threshold; Adjust the height of the tub while keeping the Walk in Bath plumb level on all four corners. Finish the installation with baseboard.

NOTE: Any alterations or installed additions are the responsibility of the installer. Ella Accessible Bathrooms is not responsible for any damage to the unit or for water damage, which could occur due to improper installation.

1. Thermostatic Control Valve:

Before turning on the water, please adjust the thermostatic control valve to the desired water temperature. To raise the temperature above the preset 100.4 Fahrenheit, press and hold in the button handle while turning. For hotter water turn counterclockwise. Conversely, turn the valve clockwise for colder water. The thermostatic control valve is pre-set to 100.4 Fahrenheit for your safety.



**The button knob stops here at 100.4 Fahrenheit. To adjust to a hotter temperature past 100.4 F, press the button knob in while turning the handle counter clockwise*

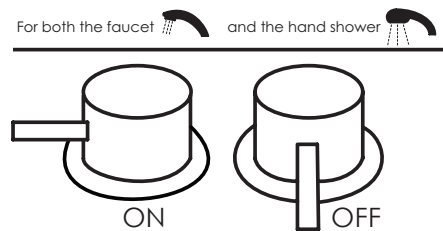
2. Using the Door:

Entering the walk in bath, the door can be closed and locked with the handle from a seated or standing position. Do not apply any body weight on the door when entering or exiting the walk in bath. The door hinges are well built and are very durable, however leaning on or applying weight on the door may damage and mis-align the door and create leaks. Such damages are not covered by the warranty.

3. Using the Diverter Valves:

Close the door and fill up the bathtub with water by moving the faucet diverter handle in to the ON position.

The faucet and hand shower may be used individually or at the same time.



4. Using the Pull out Hand Held Shower:

To use the pullout hand held shower turn its diverter handle to the ON position. The hand held shower is equipped with a 5 ft. long retractable flex hose. The pressure of the shower can be adjusted by turning the round shower head of the hand unit.

WARNING: Do NOT attach the hand held shower to the wall. This may cause water to leak behind your walk in tub.

5. Using the Hydro Massage:

To activate and deactivate the hydro massage pump, push the on/off the control button (Page #9). There are two types of hydro jets in your walk in bath; adjustable and non-adjustable types. Simply push on the head of an adjustable jet and turn the head in the desired position. The in-line water heater will activate with the Hydro pump. An air flow rate control dial can be found over the shoulder of the seating area. Turning the knob clockwise will reduce the amount of air introduced into the hydro system. Adjust according to personal preference.

6. Using the Air Massage

To activate and deactivate the air massage pump, push the on/off control button (Page #10). Notice, when adding cool air into the bath water it can lower the water temperature.

7. Using the Ozone Sterilization

To activate and deactivate the ozone sterilization, turn on the hydro jets. The ozone sterilization will run automatically in the background during your hydro massage. (Page #12). Turn the ozone on for 10 minutes for every 30 minutes of tub use.

8. Using the LED system

The LED Chromatherapy light system may be controlled manually. Push the on/off control button (Page # 11).

9. Draining the Walk in Bath

To drain your Ella Walk in Bath. Begin by turning OFF the massage systems. Open each of the drains by turning the drain openers clockwise from a down position, upward one half turn until fully open. Remain in the tub until the water has dropped below the door sill.

10. Exiting the Bath

Getting out of your Ella Walk in Bath is as easy as getting in to it. Wait for the water to drain below the door sill. Unlock the door by using the door handle. Fully open the door first then stand up and exit your Ella Walk in Bath.

NOTE: It is recommended to leave the door fully open when not in use to keep the door seal fresh and promote a longer lifetime for the door seal.

Recommended Acrylic Cleaners

Use only cleaning products whose labels state that they are SAFE for ACRYLIC. Always test products on a small are of skirt before applying to complete bath area.

- **White Vinegar & Water (Recommended)**
- ZEP Professional strength shower tub & tile cleaner
- Dawn dish detergent
- Rubbermaid commercial strength shower tub & tile cleaner
- Home Depot HDX shower tub & tile cleaner
- Scrub free original soap scum remover
- Kaboom shower tub & tile cleaner with oxy clean
- Simple green all purpose cleaners (any scent)
- Simple green lime scale remover
- Simple green natural bathroom cleaner
- All tilex products
- All Pine-Sol Products
- All Frangranzia Products

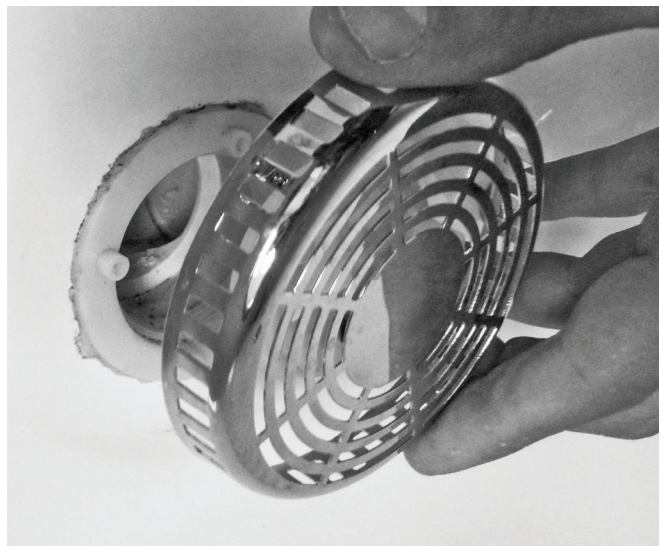
DO NOT USE the following on your

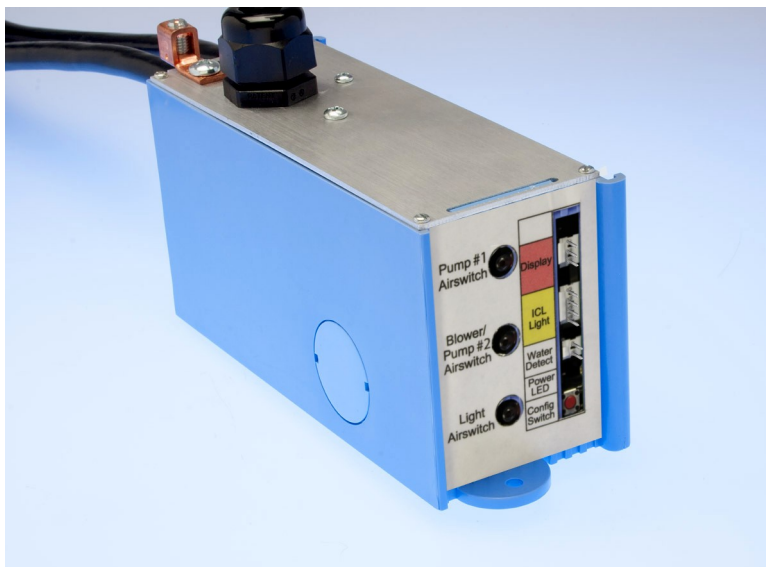
ACRYLIC Bath System. The use of the following chemicals will cause a dull surface or chemical cracks. The use of these products will VOID YOUR WARRANTY.

- Any product containing ammonia
- Dow scrubbing bubbles
- Abrasive Cleaners
- Ajax
- Comet
- Fantistik
- Soft Scrub
- Mr. Clean
- Nail Polish Remover
- Scouring Pads
- Ammonia
- Tough Act
- Powder or Crystal Drain Cleaners
- Greenworks Bathroom Cleaner
- Scrub Free w/Bleach
- Seventh generation bathroom cleaner - regular
- Magic Eraser

Monthly Maintenance

It is recommended that once a month the tub is flushed. As well, with every month of normal use, clean out the pumps inlet cover (shown right) by unscrewing the cover (counter clockwise) and removing any hair and debris from the cover and housing. Remount the cover in place. Never operate the system with the cover off, as the pump creates a strong suction and damage to the pump or injury may occur.





TOUCHSTONE Dual Load Controller

CIMC-296-01-01-01 (15 Amp)

CIMC-296-01-02-01 (20 Amp)

Configuration #1

Single Speed Pump

Variable Speed Blower

Owner's Manual

NuWhirl Systems Corp • www.nuwhirl.com • 951-817-5600
900150-CIMC-296-01-XX-01 C1 Rev 3/22/2016



Important Safety Instructions

**PLEASE READ CAREFULLY PRIOR TO
Troubleshooting and Servicing Electrical Equipment**

Definitions:

WARNING (May cause serious injuries or death)

CAUTION (May cause property damage)

For information on NuWhirl Instructions, see:
www.nuwhirl.com/docs/product-instructions.html

When installing and using this electrical equipment, basic safety precautions should always be followed, including:

WARNING: Keep dry. Replace control if exposed to water, moisture or contamination.

WARNING: Use and follow these instructions along with all instructions that have been provided with your whirlpool bathtub in order to fully enjoy the bathtub safely.

WARNING: Electronic control system components should be installed as per local and national Electrical Codes, in a location not to be subjected to splashing or flooding. Exposure to water or splashing will void all product certifications and warranties.

There are no user serviceable parts inside. Opening, modifying, or tampering with control system components will void all product certifications and warranties.

WARNING: Risk of electric shock. Connect only to a ground type receptacle or power supply junction box protected by a Ground-Fault Circuit Interrupter (GFCI). Contact a qualified electrician if you cannot verify that the power supply is protected by a GFCI. The GFCI should be tested on a routine basis. Consult the GFCI manufacturer's instructions for correct testing and operation.

For electrical connections, see applicable wiring diagram.

See www.nuwhirl.com/docs/product-instructions.html

Do not use an extension cord to connect the product to the electric supply; provide a properly located receptacle or junction box.

WARNING: Failure to install in strict accordance with each and every instruction above may compromise the system, which may cause injury to persons and/or property.

The tub may be supplied from more than one power source. Before working on any electrical device, make sure all power to the control system is off.

Use this unit only for its intended use as described in this manual. Do not use attachments not recommended by the manufacturer. Any improper installation or misuse of the equipment may result in injury to the user and will void the warranty.

Do not run unit dry. Always be certain that the pump casing is filled with water before starting the unit. If pump fails to prime within 30 seconds, turn it off. Check if there is an airlock, clogged plumbing, or closed valve.

Save these instructions.

TOUCHSTONE Dual Load Bath Control System Configuration #1 Owner's Manual

Your whirlpool bathtub has been equipped with TOUCHSTONE Electronic Controls to provide features that allow you to customize your bathing experience to your individual preference. Please familiarize yourself with the features and operating instructions below in order to maximize the enjoyment you receive from your bath. These operating instructions should be used in conjunction with the other instructions and warnings provided with your whirlpool bathtub in order to fully understand and safely utilize the bathtub.

System Features

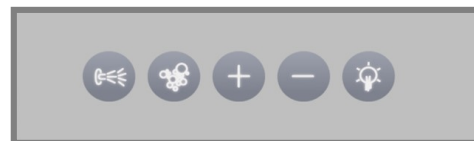
- Air Button or Electronic Keypad Options
- Independent Function Timers
- Single-Speed Pump
- Variable-Speed Blower
- Automatic Dry Cycle
- Multicolor LED Tub Lights

Air Button and Electronic Keypad Options

Airswitch Buttons may be labeled
Water, Air, Light.



Lighted Electronic Keypad.





Air Button Operating Instructions

Single Speed Pump (Water): The Whirlpool Water System is activated by pressing the Water Button. Ensure first that there is sufficient water in the Tub to at least cover the Jets. (If not, the Water Detection Function will prevent the Pump from starting dry). This will turn on the Pump, and activate its 20-minute timer. The Whirlpool Water System will stop automatically when its timer expires. To turn off this function earlier, press the Water System Button at any time.



Variable-Speed Air Blower (Air): The Air system is activated by pressing the Air Button. (The Air System runs independently of the Tub Water Level). This will turn on the Blower, and activate its 20-minute timer. To change the Speed of the Blower, press and hold to start the Blower, and then ramp its Speed down. Release at the desired setting. To activate the "Massage Mode", press and hold to start the Blower, and then ramp its Speed down to the lowest setting, pause, then release. To turn off the Air System earlier, press the Air Button at any time.



Automatic Dry Cycle: 15 minutes after the Water and/or Air systems are turned off, or the tub is drained, the Air Blower will automatically come on for 2 minutes. This will purge out any residual moisture in the air system, making the system fresh and ready for the next bath.

Multi-color Tub Light (Light)
The LED Multi-Color Tub Light is activated by pressing the Light Button. The first press will start its 60-minute timer, and activate the Tub Light in a "Rainbow" mode. Subsequent presses will change the color to Blue, White, Blue, Aqua, Green, Yellow, Red, Magenta, and off. To turn off this function earlier, press and hold the Light Button at any time.



TOUCHSTONE Dual Load Bath Control System Configuration #1 Owner's Manual

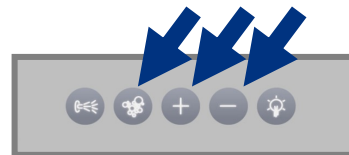
Electronic Keypad Operating Instructions

Keypad Backlighting: When in Standby, the keys are not lighted. When in use, Blue keys indicate "No Water Detected", and Green keys indicate "Water Is Detected". When a function is in use, its key will light Red. When a function is off, its key will light Blue or Green as noted above.

Single Speed Pump (Water): The Whirlpool Water System is activated by pressing the Water System Button. Ensure first that there is sufficient water in the Tub to at least cover the Jets. (If not, the Water Detection Function will prevent the Pump from starting dry, and the Button will flash Red/Blue to alert you). This will turn on the Pump, and activate its 20-minute timer. The Whirlpool Water System will stop automatically when the timer expires. To turn off this function earlier, press the Water System Button at any time.



Variable-Speed Air Blower (Air): The Air system is activated by pressing the Air Button. (The Air System runs independently of the Tub Water Level). This will turn on the Blower, and activate its 20-minute timer. To change the Speed of the Blower, press and hold the "+" or "-" Buttons accordingly. Release at the desired speed. To activate the "Massage Mode", press and hold the "+" and "-" Buttons together, pause, then release. To turn off the Air System earlier, press the Air Button at any time.



Automatic Dry Cycle: 15 minutes after the Water and/or Air systems are turned off, or the tub is drained, the Air Blower will automatically come on for 2 minutes. This will purge out any residual moisture in the air system, making the system fresh and ready for the next bath.

Multi-color Tub Light (Light): The LED Multi-Color Tub Light is activated by pressing the Light Button. (The Tub Light runs independently of the Tub Water Level). The first press will start its 60-minute timer, and activate the Tub Light in a "Rainbow" mode. Subsequent presses will change the color to Blue, White, Blue, Aqua, Green, Yellow, Red, Magenta, and off. The Tub Light will turn off automatically when the timer expires. To turn off this function earlier, press and hold the Light Button at any time.





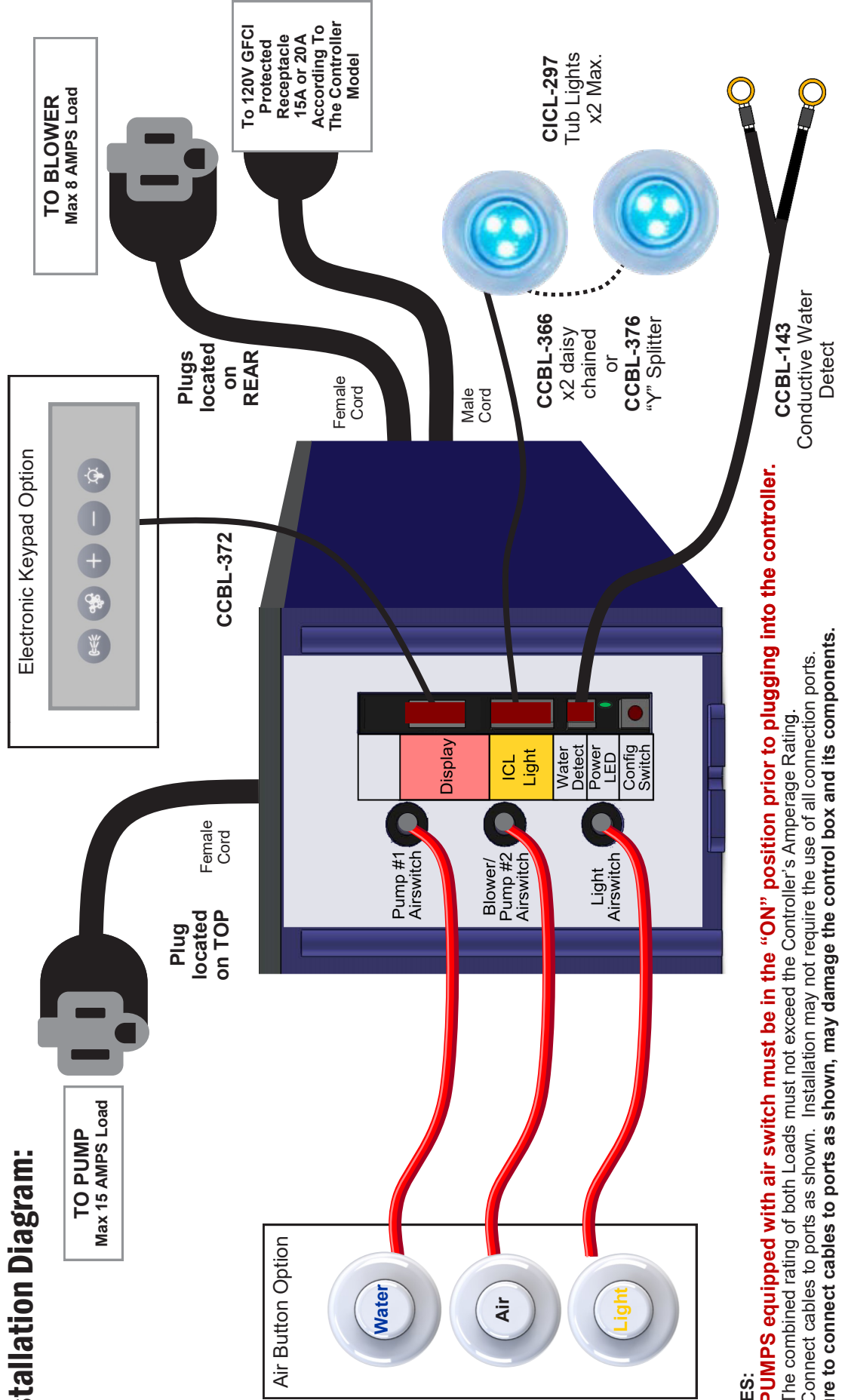
TOUCHSTONE Dual Load Control System Installation Instructions

System Identification: CIMC-296-01-[01 or 02]-01 Configuration #1

System features: Air Buttons or Electronic Keypad, Independent Timers, Single-Speed Pump, Variable-Speed Blower, Multi-Color LED Tub Lights, Conductive Water Detect.

Note: For instructions on setting the Configuration # see "Control Configuration Selection and Setting Guide"

Installation Diagram:



NOTES:

- 1. PUMPS equipped with air switch must be in the "ON" position prior to plugging into the controller.**
2. The combined rating of both Loads must not exceed the Controller's Amperage Rating.
3. Connect cables to ports as shown. Installation may not require the use of all connection ports. **Failure to connect cables to ports as shown, may damage the control box and its components.**



Ella Acrylic Walk In Bath Warranty Information

This limited lifetime warranty is extended to the first purchaser to be free from defects in workmanship and material under normal use and conditions from the date of the original purchase. This warranty is nontransferable and applies only to the original owner and to the original installation place – address only and does not extend to products previously used as display models or products that have been modified or repaired by anyone else but Ella's Bubbles. The warranty is void if the ownership or original installation location is changed (tub is relocated). This warranty relates to all fittings and components included with the tub from the manufacturer. The bathtub shell, frame, door seal, and finish are covered by limited lifetime warranty. The door is covered by a limited lifetime warranty under normal use and conditions. All supporting equipment, motors, pumps, fixtures, electronic controls, faucet, waste, overflow, and all plated finishes, are covered by a limited five (5) year warranty. This warranty is nontransferable and applies only to the original owner. The finish warranty does not apply to fading, cracking, delaminating or blistering due to excessive wear, sun fading or scouring due to cleaning. This warranty shall not apply to any failure resulting from negligence, abuse, misuse, misapplication, alteration, or modification or improper maintenance. The door warranty is valid only if the alignment of the door is not changed by applying pressure or user's weight hold user's weight to the door or by wrong installation. The door is designed to hold its own weight and not designed to hold user's weight. Should service be required for any reason of any defect or malfunction of the product during the first five years, Ella's Bubbles will ship the part to the original customer's address without charge (subject to verification of the defect or malfunction). Ella's Bubbles will not be liable for any incidental expenses or material charges in connection with removal or replacement of the product or parts. Delivery time is based on parts availability and location. Normally parts are sent out immediately. Emailed or mailed photos of defective product and description of the problem is required. defective product and description of the problem is required.

All mailing notification must be sent via certified mail to:

Ella's Bubbles, LLC.

2101 S. Carpenter Street Chicago, IL 60608

Email: info@ellasbubbles.com

The Manufacturer will not be responsible for any water damage to structures or property for any reason including but not limited to manufacturer defect or improper installation. Manufacturer will assume no responsibility for the loss of the system, inconvenience due to loss, damage to real or personal property or any other consequential damage. Manufacturer will not be liable for any incidental expenses or material charges in connection with removal or replacement of the purchased part or any part or parts of the system. This warranty shall not apply to any type of failure resulting from negligence, abuse, misuse, misapplication, improper installation, alteration or modification, chemical corrosion or improper maintenance. There will be a charge for replacement parts or replacement of the entire electrical unit of the defective unit is returned for any of the reasons listed above. Ella's Bubbles reserves the sole authority to make any type of warranties or representations concerning its products and will not be responsible for any warranties or representations made by any outside source including dealers, retailers, distributors or contractors. Ella's Bubbles does not warrant the installation of any of our products. Items include: all plumbing or electrical related connections, improper or negligent installation of the product. Alteration made of, or alterations or modifications made to the system, may cause the product or the system to malfunction. Such problems are not covered by warranty.

TO THE EXTENT PERMITTED BY LAW, ALL IMPLIED WARRANTIES INCLUDING THOSE OF MERCHANTABILITY AND FITNESS FOR A PARTICULAR PURPOSE ARE HEREBY DISCLAIMED.

Ella's Bubbles and seller hereby disclaim any liability for special, incidental, or consequential damages. Some states/provinces do not allow limitations on how long an implied warranty lasts, or the exclusion or limitation of special, incidental or consequential damages, so these limitations and exclusions may not apply to you. This warranty gives you specific legal rights. You may have other rights, which vary from state/province to state/province.

Disclaimer: Limited lifetime or 5 year parts warranty does not apply to thermostatic control valve (TCV).

TCV warranty is (1) year limited warranty which does not cover cartridge malfunction due to contaminated water with calcium, iron or other found heavy particles in the water resulting in cartridge getting stuck and TCV not operating properly. The TCV must be protected with filter or mesh in the water lines which must be cleaned periodically. Ella's Bubbles offers cleaning service for the cartridges for a nominal fee: labor + shipping. The cartridge cleaning is done at Ella's Bubbles facility, or it can be done by the contractor hired by customer. The removal and cleaning of TCV should only be performed by a licensed and insured contractor or plumber following online instructions here:



INSTALLER'S INFORMATION

Name

Address

City

State

Zip

Telephone

Email

Date

Signature

Upon completing the installation of an Ella Walk In Bath, the following Warranty Activation Form must be completed, signed by both the customer and installer, and returned to Ella's Bubbles, LLC. In order for the Warranty to be activated (faxed, scanned, or emailed, or hard copy mailed).

To be initialed by the installer(s)

- ___ Tub is level in all directions and all support legs are touching the ground.
- ___ Tub is installed on a dedicated 20 Amp GFCI protected circuit using 10 gauge wire
- ___ Frame of the tub has been properly grounded.
- ___ Door Seal has been cleaned with rubbing alcohol to remove any dust or debris left over from construction.
- ___ Temperature Control Valve operated on both hot and cold settings.
- ___ Both diverters function properly.
- ___ Hand Shower functions on all settings without leaking.
- ___ All supply lines have been checked for leaks while both diverters are on.
- ___ Drains open and close properly, and the locking nut has been tightened on both stoppers.
- ___ Door seal is water tight after tub has been filled for a minimum of 20 minutes.
- ___ After running for a minimum of 20 Minutes the Hydro and Air Pumps are functioning properly and all connections to the pumps and jets are water tight.
- ___ Chromatherapy Light and the Ozone Sterilization are working properly.
- ___ All drain fittings have been checked for leaks while the tub is draining.
- ___ Unit is installed with access to both plumbing and electrical connections.

OWNER'S INFORMATION

Name

Address

City

State

Zip

Telephone

Email

Date

Signature

Model: _____ Serial Number: _____

Purchase Date: _____ Purchase Price: _____

Place of Purchase: _____

Contact Name: _____ Phone Number: _____

**Copy of sales receipt must be included
with warranty activation forms.**

To activate manufacturer's warranty, please complete both pages and use one of the options below to submit.

Via mail: Ella's Bubbles, LLC.
Warranty Department
2101 S. Carpenter St., Chicago, IL 60608

Via fax: 1-312-666-3551

Via email: warranty@ellasbubbles.com