



E-Commerce by Enitial Lab

ASSEMBLY INSTRUCTIONS

MODEL #

YNJ-19602C24-S
YNJ-19602C35-S

Questions?

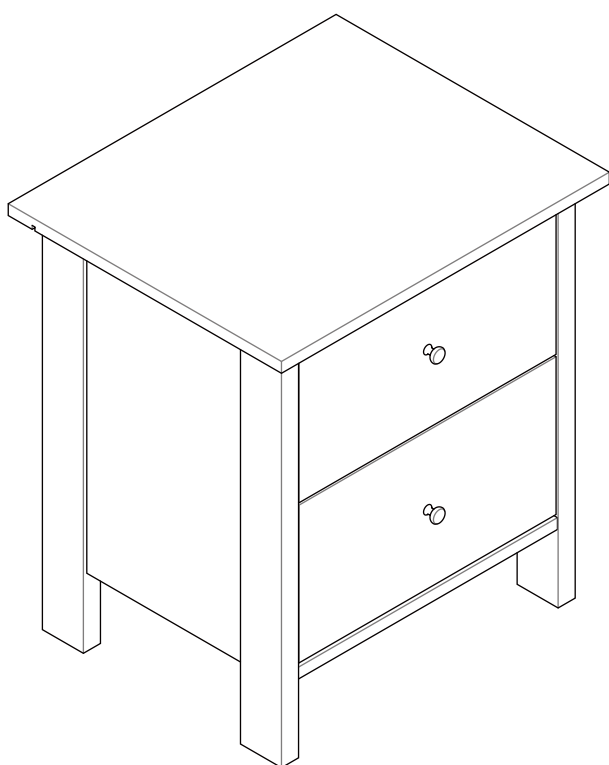
GIVE US A CALL: 1-888-980-5122
MON – FRI 8:30AM – 5:30PM (PST)

TOOLS REQUIRED



**Phillips
Screwdriver**

(Not Included)



**2 - People
Recommended**

ASSEMBLY RATING



EASY ———→ DIFFICULT

The Assembly Rating is a 5-point system showing the level of effort needed to assemble a specific product.



FOA Intro

Thank you for your purchase!

We hope you enjoy this new addition to your home for many years to come.

Our commitment to providing quality products does not simply end when you purchase our product. We fully stand behind our products from start to finish. Our customer service department is available Monday ?Friday 8:30 AM ?5:30 PM Pacific and can help with assembly questions as well as, if necessary, replacing damaged or missing parts. To help expedite our service, please have these assembly instructions readily available, along with your order receipt.



Consumer Hotline
Toll-Free 1-888-980-5122



Monday to Friday
8:30AM- 5:30PM (PST)



WEBSITE
www.foagroup.com



E-MAIL
cs.ec@foagroup.com



foagroup



FurnitureOfAmerica



CHECK BEFORE STARTING

Are you missing anything?

Double-check all parts, hardware and accessories listed on Page 6 are accounted for.

Check out our Quick Tips!

We recommend reviewing the pre-assembly handouts. Even experts need a refresher now and then!

Should we send any replacements?

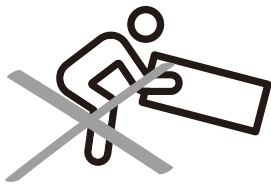
Are there any irregularities or flaws in the parts? We can send replacements!

Prep Time!

Please review the assembly instructions and all diagrams prior to assembling. Arrange parts as recommended on Page 7 and group identical hardware together to make assembling easier.

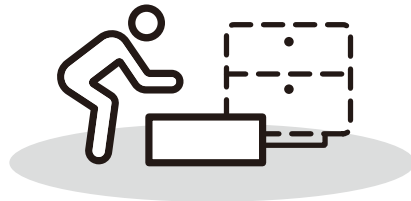
PRE ASSEMBLY INTRODUCTION

We understand building ready-to-assemble furniture can be a challenging experience for some. To help avoid confusion, we have provided some helpful tips that may speed up the process.



Teamwork

ALWAYS have at least two people to help with transporting and assembling the product to avoid potential injury and/or damage.



Suitable Location

Assembling near the area of the intended location is highly recommended.



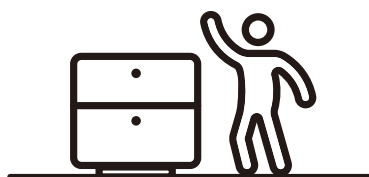
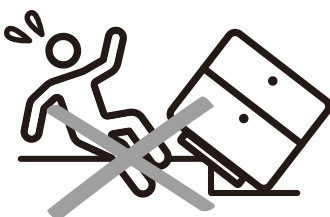
Sufficient Space

Make sure you have enough space to move around during the assembly.



Avoid Scratches

Use cardboard, blankets or a carpeted area while assembling furniture to prevent scratches.



Flat Surface

Make sure the furniture rests on a flat and level surface with each leg evenly touching the floor.

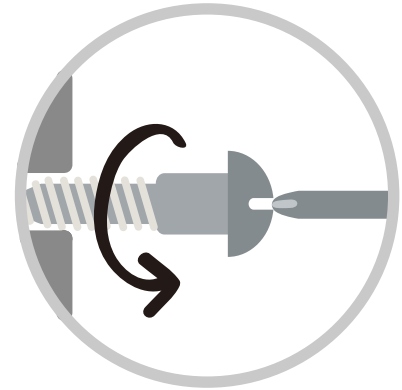
ASSEMBLY AND CARE ADVICE



**FAILURE TO FOLLOW THE GUIDELINES BELOW MAY
RESULT IN INJURY AND/OR PROPERTY DAMAGE.**



Position each part correctly
and insert screws or bolts into
their respective holes.



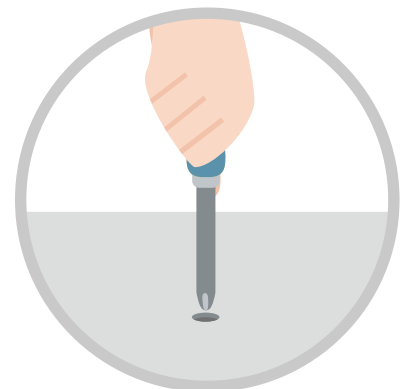
Turn clockwise to tighten and
only tighten when step is
completed or when instructed
to do so.



Use the appropriate hand tools
or power tools for assembly.
Select steps, such as tightening
screws and/or bolts, may require
hand tools to avoid causing
damage during assembly.



Save the instructions and store
any supplied tools for later
maintenance.

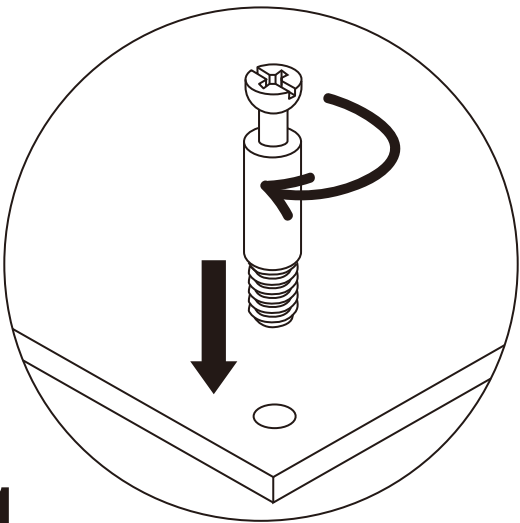


After two weeks, check and
tighten any loose hardware and
repeat again every six months
thereafter.

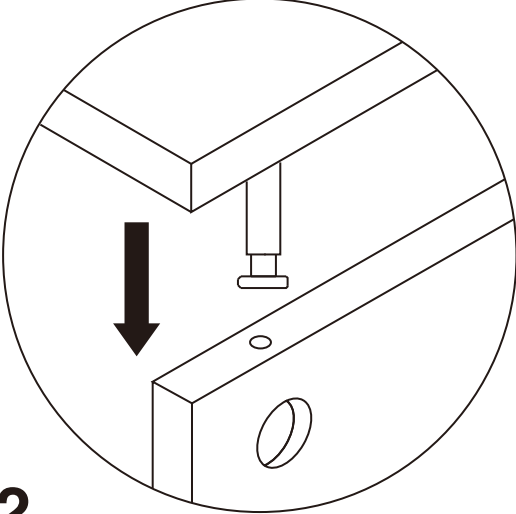
IT IS THE USER'S RESPONSIBILITY TO MAINTAIN THE FURNITURE. THE HARDWARE MAY LOOSEN OVER TIME AND MAY CAUSE THE FURNITURE TO BE WOBBLY AND UNABLE TO SUPPORT ITS INTENDED WEIGHT CAPACITY. THIS MAY LEAD TO COLLAPSE AND MAY CAUSE SERIOUS INJURY.

CAM LOCK FASTENER ASSEMBLY INSTRUCTIONS

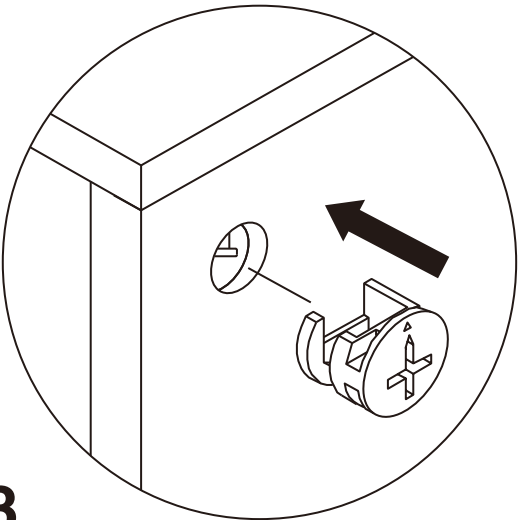
Note :
Every cam lock bolt must have a cam lock connector in order to fasten the parts together.



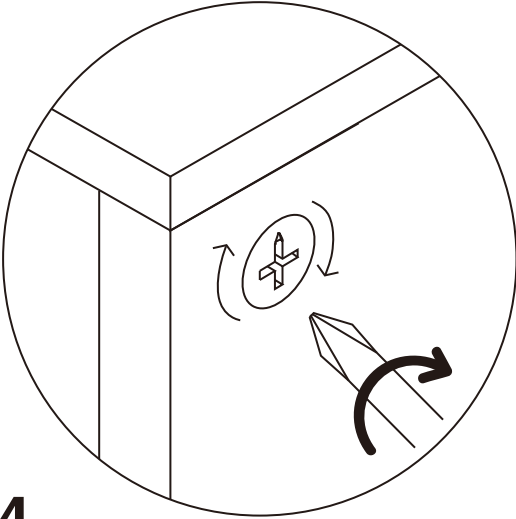
1
Screw the cam bolt into panel.



2
Insert the cam bolt into the bolt hole of joint panel.



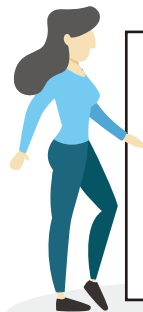
3
Align the cam lock with its side opening (or arrow) pointing to cam bolt.



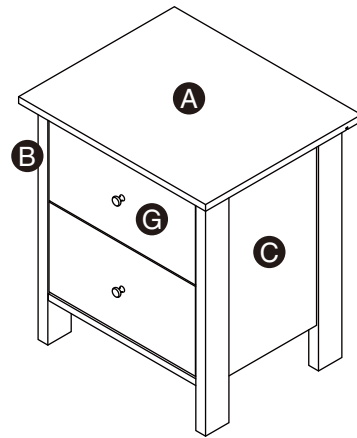
4
Turn the cam lock clockwise gently until it will not turn any more.

DRAWER CABINET

YNJ-19602C24&C35-S

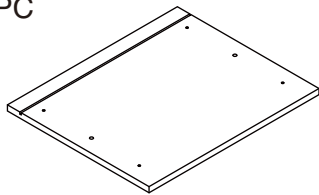


• Please keep instructions for future reference.
 • Check the quantity and irregularity of parts and hardware before you start.

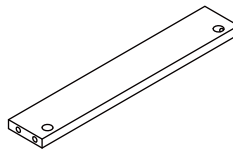


PARTS

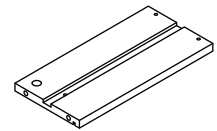
A 1PC



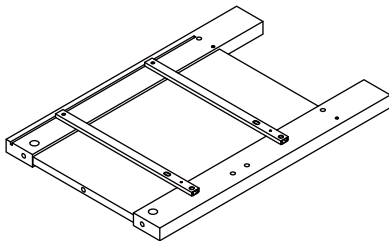
D 1PC



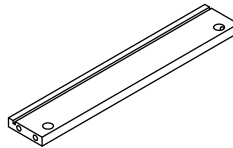
I 2PCS



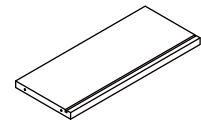
B 1PC



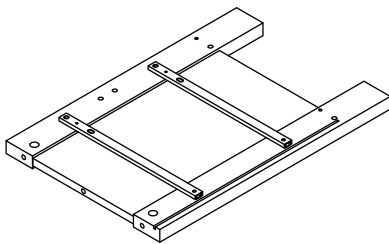
E 1PC



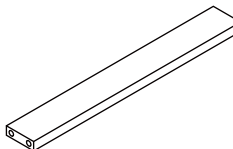
J 2PCS



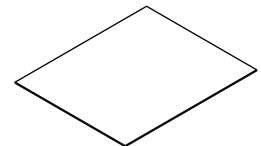
C 1PC



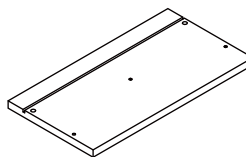
F 1PC



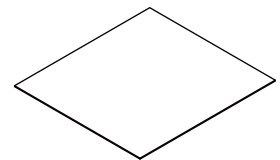
K 2PCS



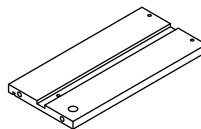
G 2PCS



L 1PC



H 2PCS

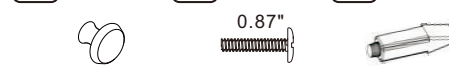
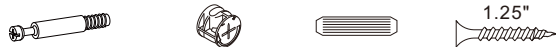


HARDWARE

ACCESSORIES

① 12PCS ② 12PCS ③ 14PCS ④ 8PCS

A1) 2PCS A2) 2PCS A3) 1PC



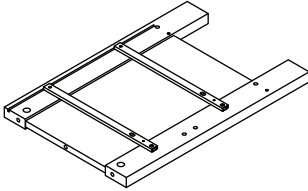
⑤ 4PCS ⑥ 4PCS ⑦ 4PCS



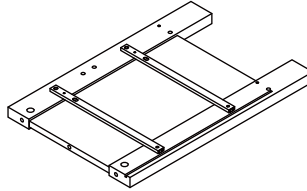
GET READY

Please group boards as below.

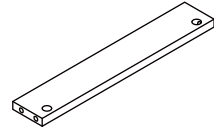
B 1PC



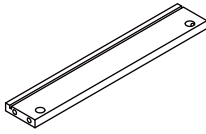
C 1PC



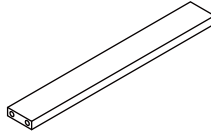
D 1PC



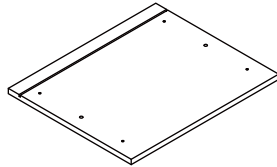
E 1PC



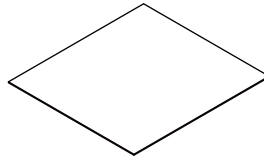
F 1PC



A 1PC

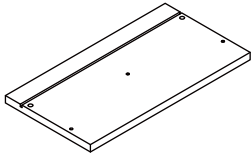


L 1PC

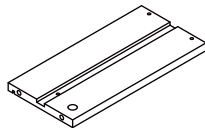


Body

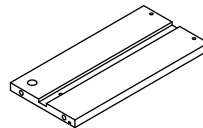
G 2PCS



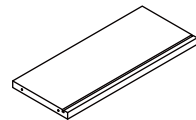
H 2PCS



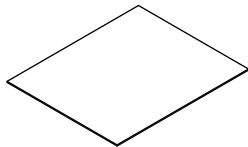
I 2PCS



J 2PCS



K 2PCS



Drawer

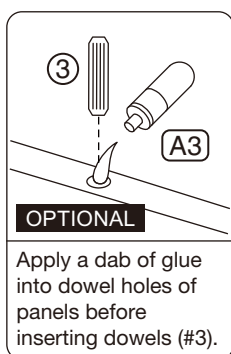
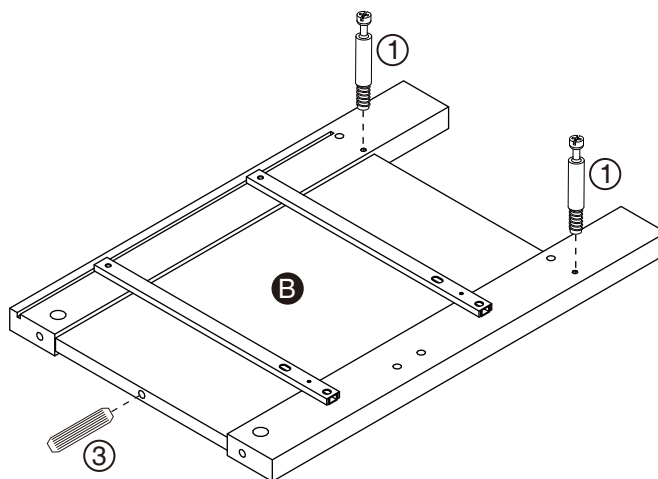
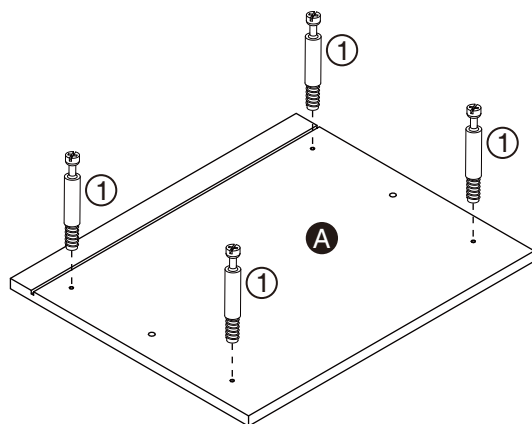
ASSEMBLY INSTRUCTIONS

1

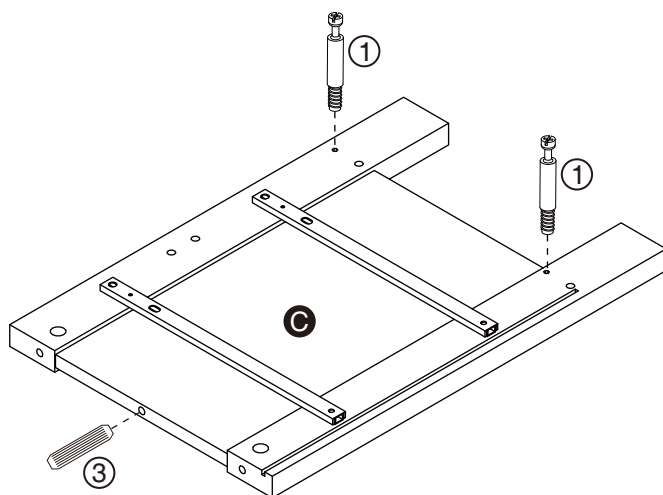
Hardware ① x8PCS

Hardware ③ x2PCS

Accessory (A3) x1PC



OPTIONAL
Apply a dab of glue
into dowel holes of
panels before
inserting dowels (#3).

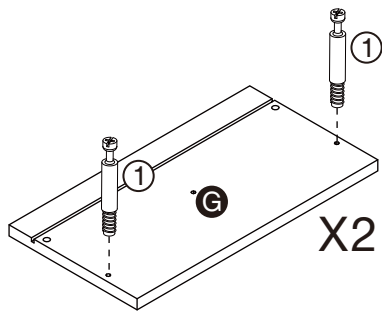
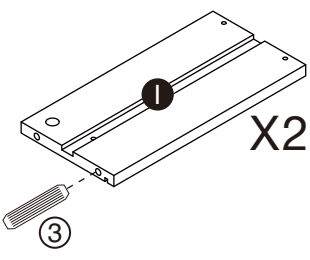
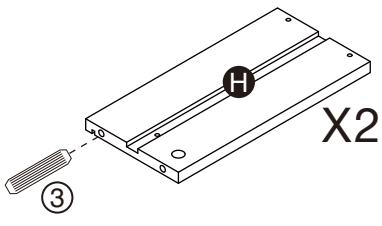
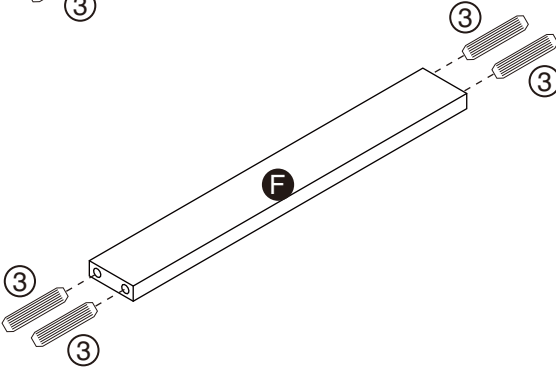
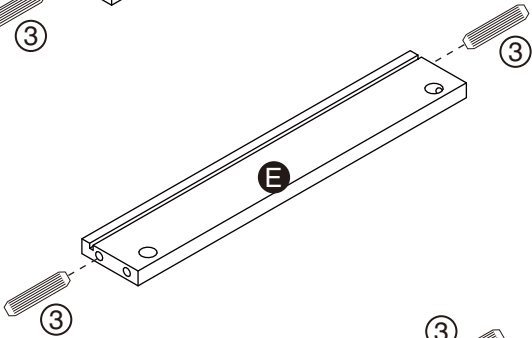
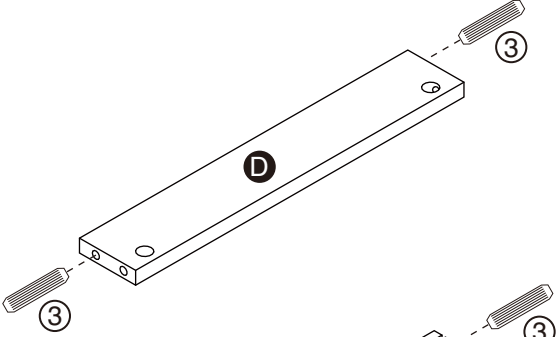
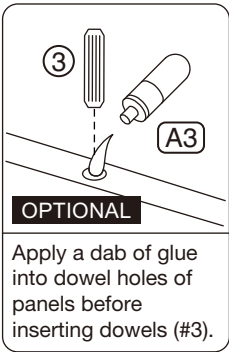


ASSEMBLY INSTRUCTIONS

2

Hardware ① x4PCS
Hardware ③ x12PCS

Accessory A3 x1PC



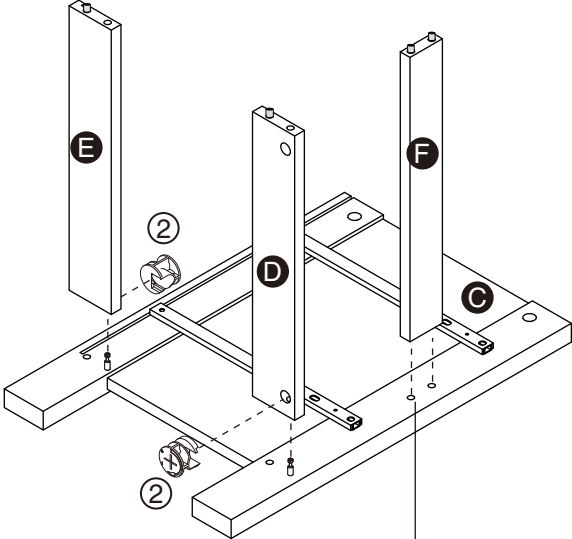
ASSEMBLY INSTRUCTIONS

3

- Part **C** x1PC
- Part **D** x1PC
- Part **E** x1PC
- Part **F** x1PC

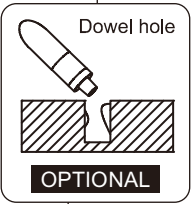
Hardware **②** x2PCS

Accessory **A3** x1PC



Top

Front

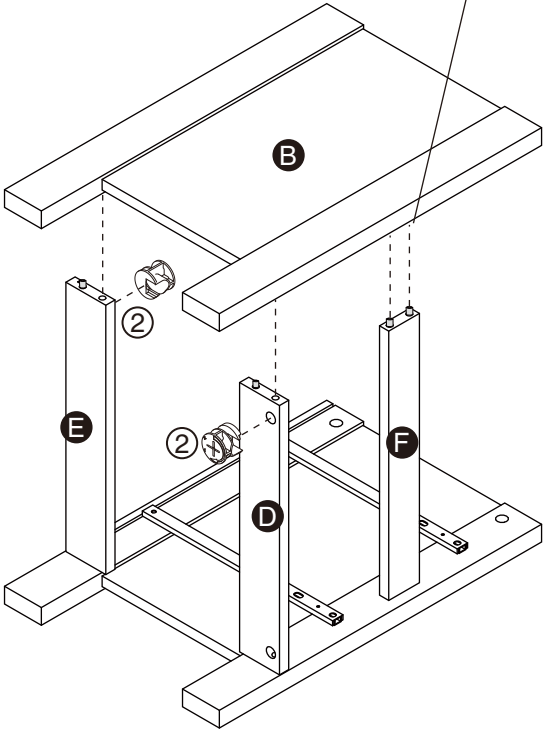


4

- Part **B** x1PC

Hardware **②** x2PCS

Accessory **A3** x1PC



Top

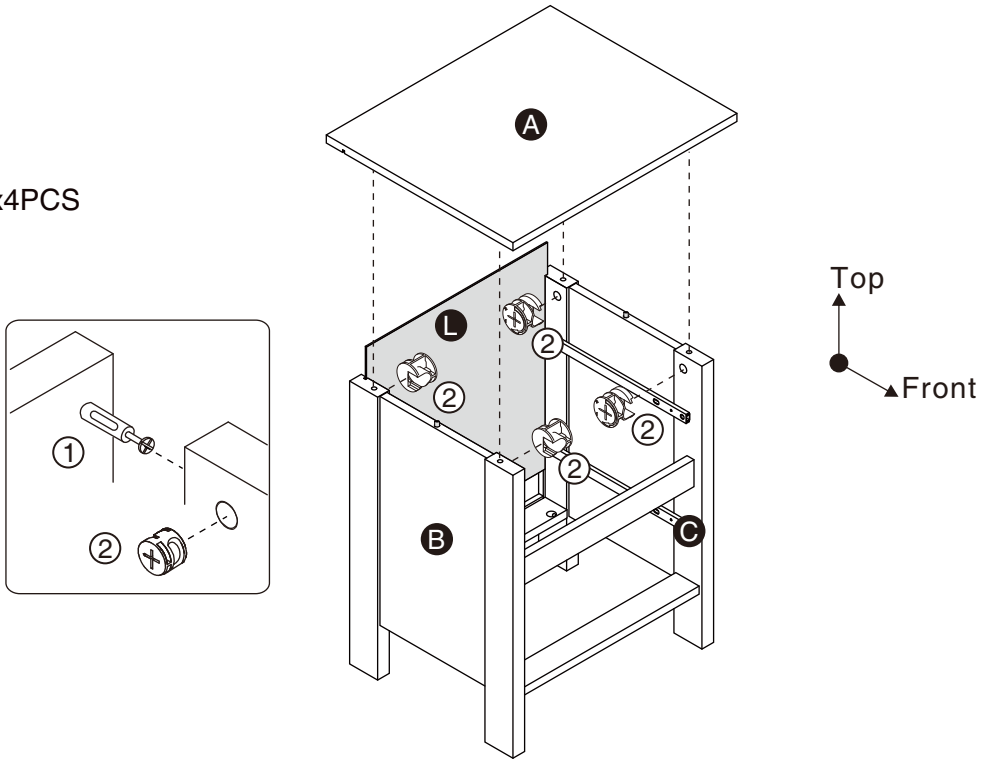
Front

ASSEMBLY INSTRUCTIONS

5

Part **A** x1PC
 Part **L** x1PC

Hardware **②** x4PCS

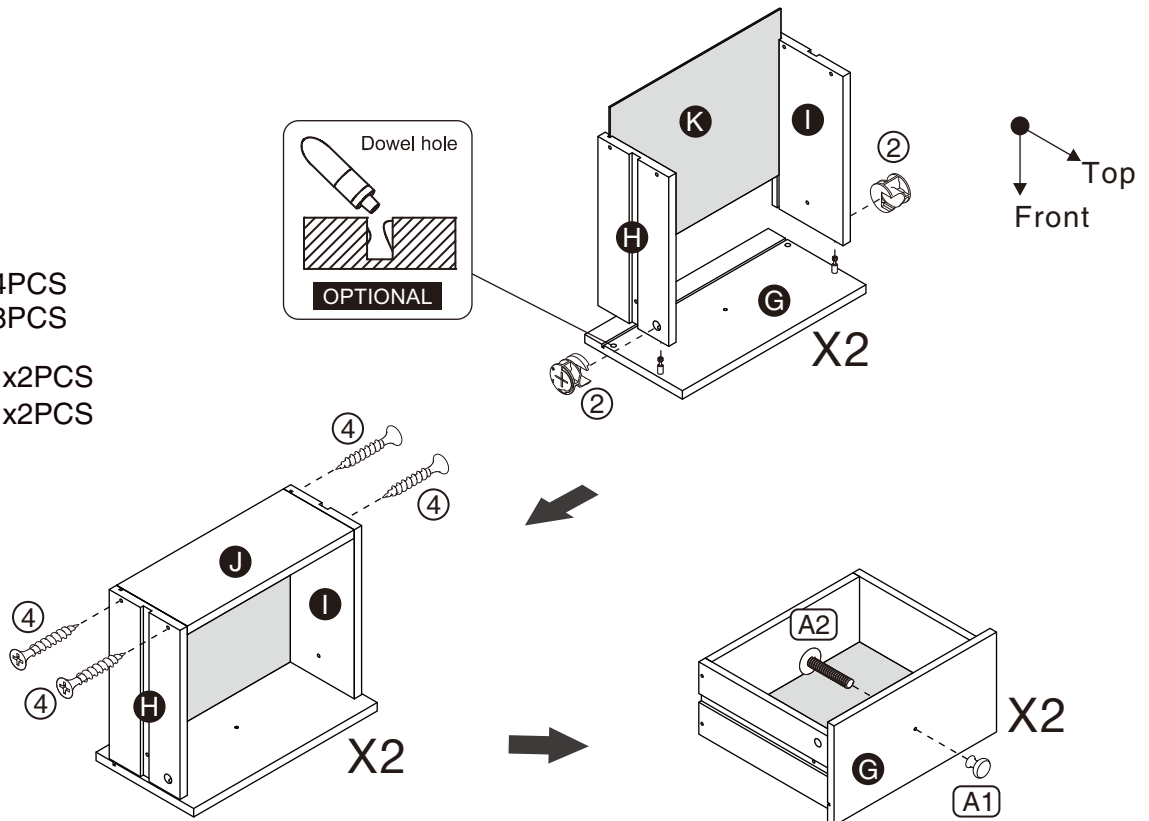


6

Part **G** x2PCS
 Part **H** x2PCS
 Part **I** x2PCS
 Part **J** x2PCS
 Part **K** x2PCS

Hardware **②** x4PCS
 Hardware **④** x8PCS

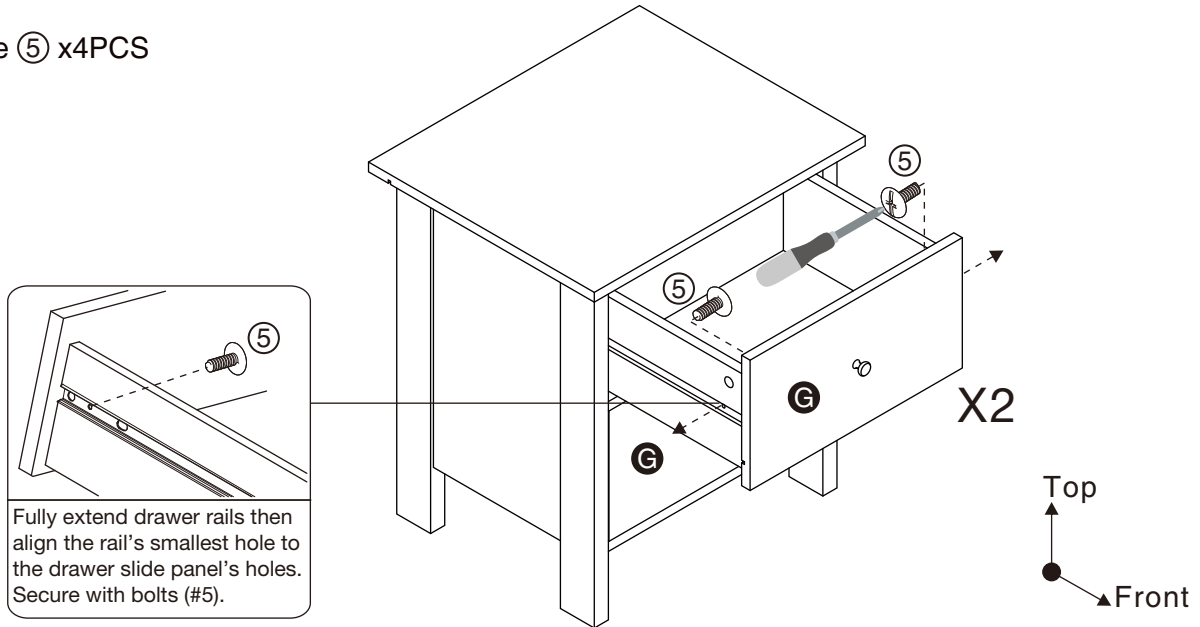
Accessory **A1** x2PCS
 Accessory **A2** x2PCS



ASSEMBLY INSTRUCTIONS

7

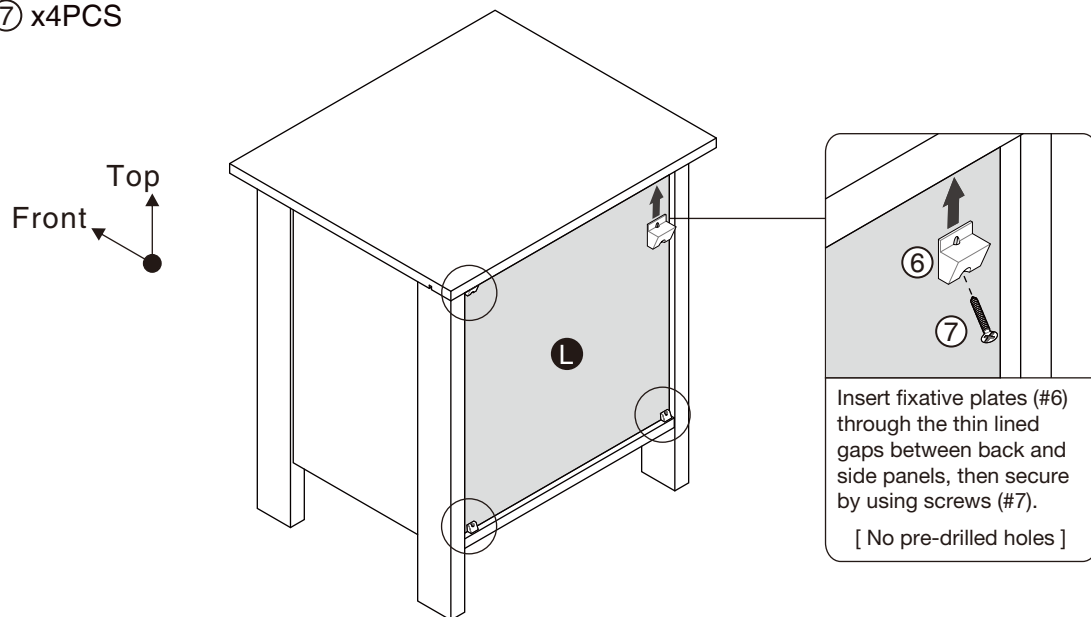
Hardware ⑤ x4PCS



8

Hardware ⑥ x4PCS

Hardware ⑦ x4PCS



ASSEMBLY INSTRUCTIONS

9

ASSEMBLY COMPLETED



Please ensure the furniture rests on an even and flat surface. If the product wobbles or feels loose, double-check all bolts and/or screws are properly tightened and secured.

✓ **Keep this handy!**

Please retain this instruction manual and any order-related information for future reference.

✓ **Lift, don't drag!**

To avoid damage to product please always LIFT the product when transporting or adjusting the placement.

