

# 27W LED WALL PACK WITH SENSOR



## 27WATT WALL PACK SECURITY LIGHT

Dusk to Dawn automatic electronic sensor  
 High Lumen output, lights up to 30X30 area  
 High impact durable plastic housing. Two finishes to choose from.

### FEATURES

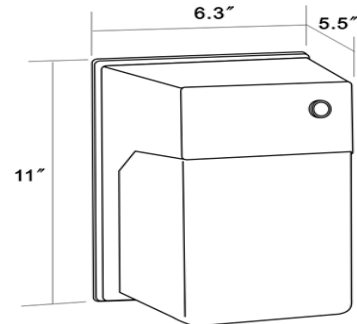
- For side wall installation only.
- Damp-rated for use in exterior locations.
- Not to be used with Motion Detector.
- Intergrated photocell for automatic dusk to dawn operation



**White**



**Bronze**

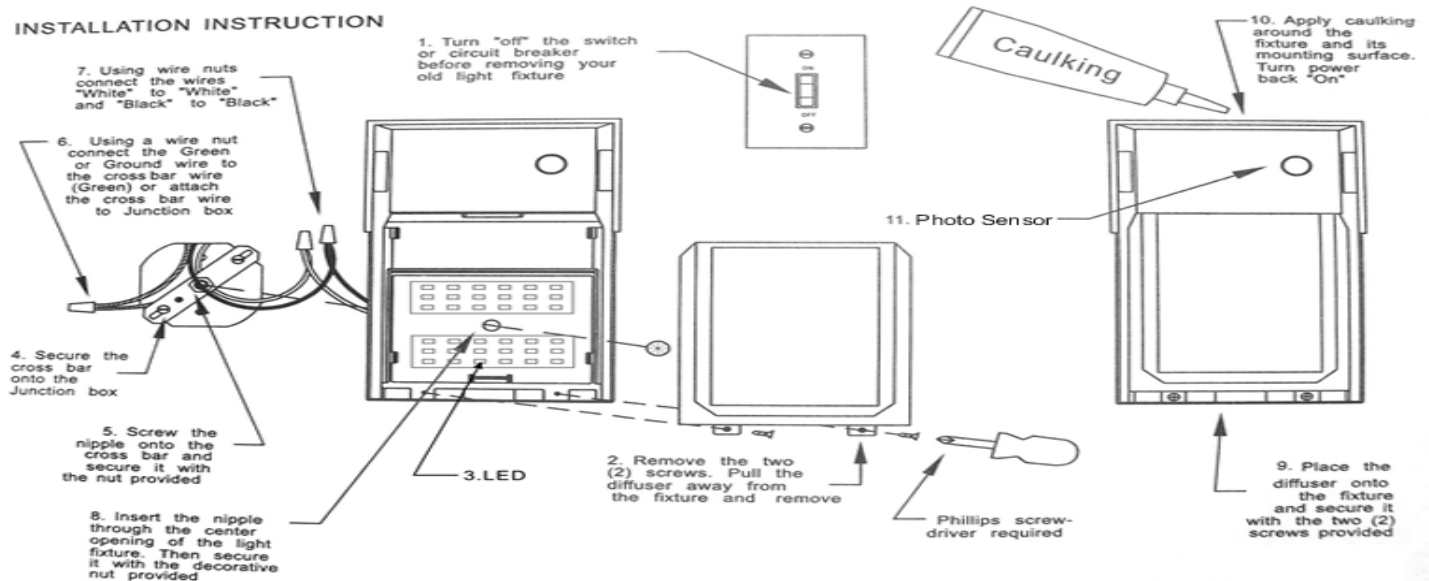


**L=11" W=6.3" H=5.5"**

**Patios Driveways Alleys Garage Backyards Working Areas**

## INSTALLATION

### INSTALLATION INSTRUCTION



## TECHNICAL SPECIFICATIONS

Voltage	120V, 60Hz AC operation
Lumens	2240 lumens CRI ≥ 80
Construction	Heavy-duty, plastic housing
Dimensions	L=11" W=6.3" H=5.5"
Packaging	Corrugated box with model number and short description
Lamp specs	120V SMD5630 LED Cool white, 50,000 average life hours
Diffuser	Clear plastic Diffuser.
Accessories	Cross barx1, Screwx2, P2 Connectorsx3, Decorative Nut x1

## ORDERING INFORMATION

Model No	Description
LED-SL27WT	LED Outdoor Light 27W 54pcs LB 120V,Driver Included, White Finish
LED-SL27BZ	LED Outdoor Light 27W 54pcs LB 120V,Driver Included, Bronze Finish