

Features

- Vitreous china
- Elongated bowl
- AquaPiston® flushing system
- Available with KOHLER Artist Editions designs
- Less seat and supply
- 12" (305 mm) rough-in
- 1.6 gpf (6.0 lpf)
- 2-1/8" (54 mm) glazed trapway
- 10-1/2" (267 mm) x 7-1/8" (181 mm) water area
- 28-3/4" (730 mm) x 17-5/8" (447 mm) x 30-3/4" (781 mm)

COMFORT HEIGHT® TOILET K-3589

ADA

CSA B651

OBC



Codes/Standards Applicable

Specified model meets or exceeds the following:

- ADA
- ICC/ANSI A117.1
- CSA B651
- OBC
- ASME A112.19.2/CSA B45.1

Colors/Finishes

- 0: White
- Other: Refer to Price Book for additional colors/finishes

Accessories

- 0: White
- CP: Polished Chrome
- PB: Vibrant® Polished Brass
- Other: Refer to Price Book for additional colors/finishes

Specified Model

Model	Description	Trip Lever	Colors/Finishes
K-3589	Comfort Height toilet (shown)	left-hand	<input type="checkbox"/> 0 <input type="checkbox"/> Other_____
K-3589-RA	Comfort Height toilet	right-hand	<input type="checkbox"/> 0 <input type="checkbox"/> Other_____
K-3589-T	Comfort Height toilet - tank cover locks	left-hand	<input type="checkbox"/> 0 <input type="checkbox"/> Other_____
K-3589-TR	Comfort Height toilet - tank cover locks	right-hand	<input type="checkbox"/> 0 <input type="checkbox"/> Other_____

Recommended Accessories

K-4664	Brevia™ seat with cover	<input type="checkbox"/> 0	<input type="checkbox"/> Other_____
K-4660	Lustra™ open front toilet seat – for Accessibility compliance (cont.)	<input type="checkbox"/> 0	<input type="checkbox"/> Other_____

Product Specification

The elongated bowl toilet shall be made of vitreous china. Toilet shall be 28-3/4" (730 mm) in length, 17-5/8" (447 mm) in width, and 30-3/4" (781 mm) in height with a 10-1/2" (267 mm) by 7-1/8" (181 mm) water area. Toilet shall be 12" (305 mm) rough-in and 2-1/8" (54 mm) glazed trapway. Toilet shall be 1.6 gpf (6.0 lpf) with AquaPiston flushing system. Toilet shall be available with KOHLER Artist Editions designs. Toilet shall be less seat and supply. Elongated bowl toilet shall be Kohler Model K-3589-_____-_____-_____ or K-3589-_____-_____-_____.

CIMARRON®

K-7637

(cont.) Angle supply with stop - 3/8" NPT

CP

PB

Other_____

Technical Information

Fixture:	
Configuration	two-piece, elongated
Water per flush	1.6 gpf (6.0 lpf)
Passageway	2-1/8" (54 mm)
Water area	10-1/2" (267 mm) x 7-1/8" (181 mm)
Water depth from rim	6-1/8" (156 mm)
Seat post hole centers	5-1/2" (140 mm)
Included components:	
Bowl	K-4309
Tank	K-4418
Tank cover	1086929
Trip lever, left-hand	1059436
Tank accessory pack	1016548
Bolt cap accessory pack	1013092

Installation Notes

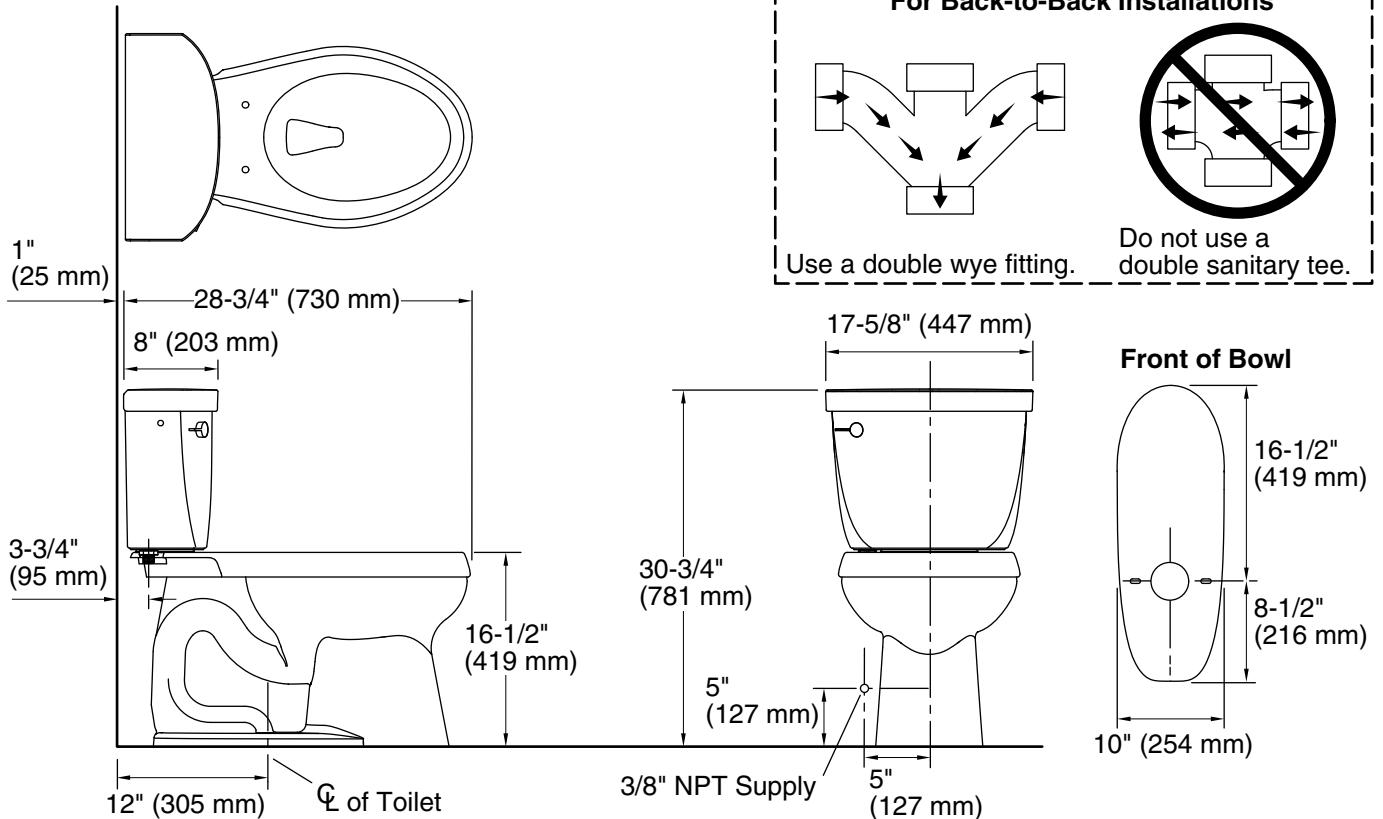
Install this product according to the installation guide.

For back-to-back toilet installations: Use only a 45° double wye fitting.

Will comply with the Americans with Disabilities Act (ADA) when installed per the requirements of the 2010 ADA Standards of Accessible Design, Section 604 Water Closets, of the Act. The Model Plumbing Codes require the installation of elongated open-front toilet seats in public bathrooms.

Will comply with **CSA B651** when installed per Clause 4.3.6 of the standard.

Will comply with **OBC** Barrier Free requirements when installed per Clause 3.8.3.8 and 3.8.3.9.



Product Diagram