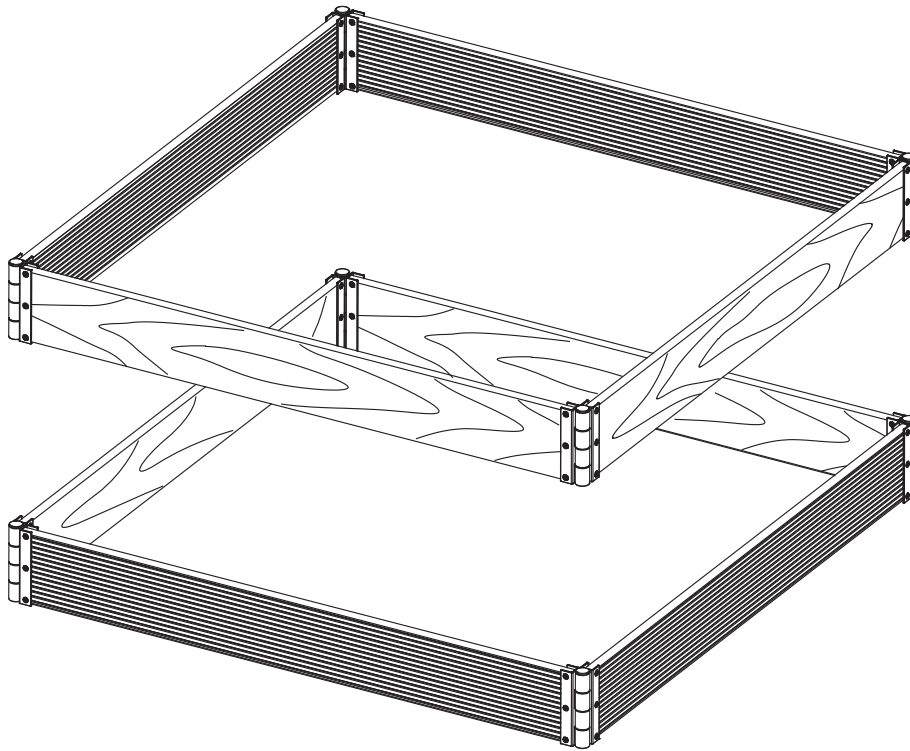


YHD Raised Garden Bed

ASSEMBLING INSTRUCTION



Dimensions: 4' x 4' x 6"

Please keep this instruction for future reference.
If there are any questions regarding assembly or missing parts, please contact
customer service before returning product to the store.
Customer service email: customerservice@yonghengda-hk.com

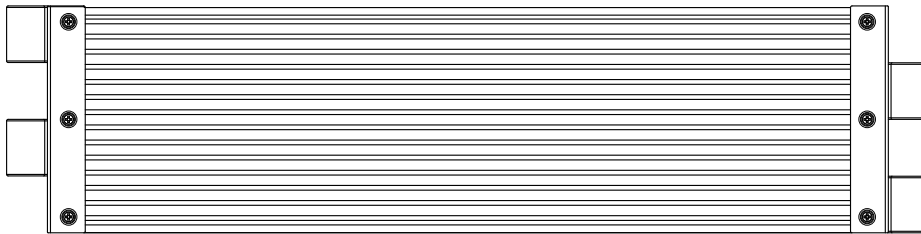
PRE-ASSEMBLY PREPARATION:



THIS PACKAGE MAY CONTAIN SMALL ITEMS WHICH SHOULD BE KEPT AWAY FROM CHILDREN

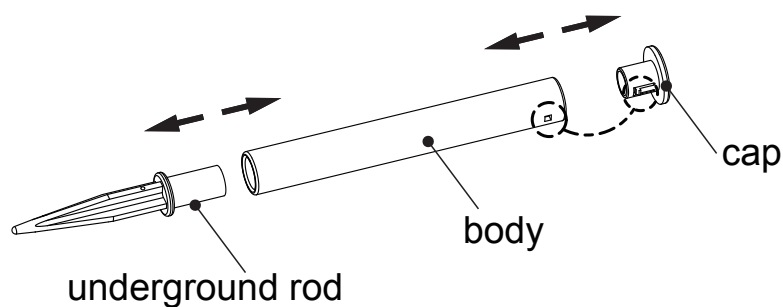
- Please check that all parts and hardware are included before beginning assembly.
- Save all packing materials until assembly is complete to avoid accidentally discarding smaller pieces or hardware.
- Read through the preparation and assembly instructions in full before beginning assembly.
- Please use CAUTION AND CARE WHEN LIFTING the product to avoid personal injury and (or) damage to the product.
- The following additional tool is required for assembly: Rubber mallet.
- For easy assembly, two adults are recommended.

PARTS AND FITTINGS IDENTIFICATION:



A

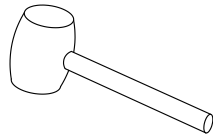
Wood-Plastic Composite Board Qty: 4



B

Plastic connecting rod set Qty: 4

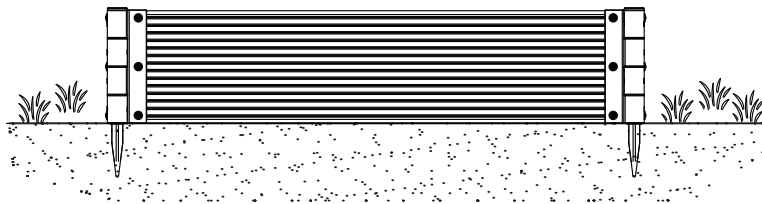
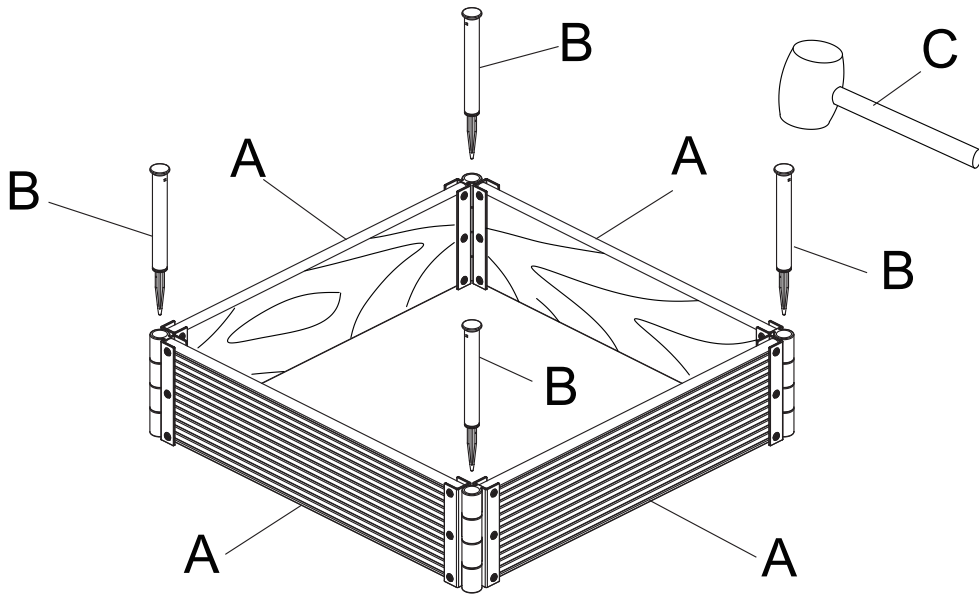
TOOLS REQUIRED:



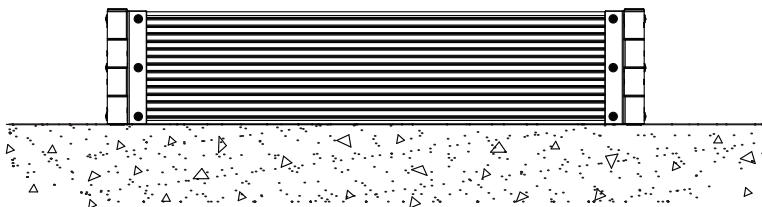
C

Rubber mallet / Qty: 1

STRUCTURAL DIAGRAM:

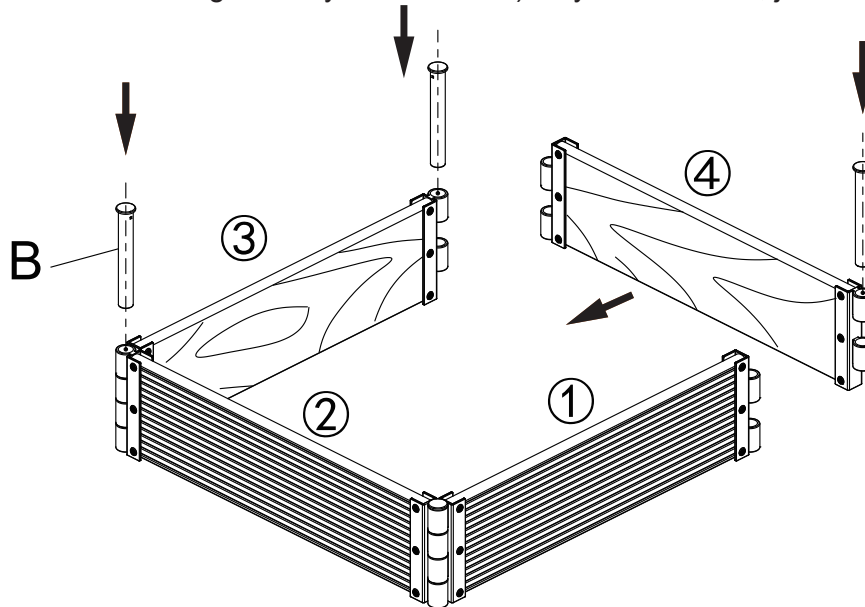


or

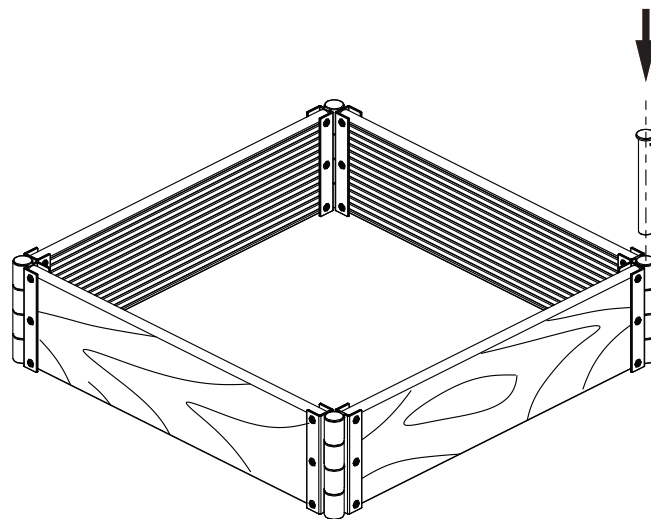


STEP-BY STEP ASSEMBLY:

STEP 1: Connecting Assemble the boards based on the order of 1, 2, 3, 4, to a square. Insert the connecting rod to the connection holes and connect the boards together. The underground rod can be used if you want to fix the garden bed on the empty lawn. (When use underground rod, please assemble the plastic connecting rod as illustration B on page 2, and insert the rod to the connection holes as below illustration, and then stick the underground rod to the ground by rubber mallet). If you don't want, just keep it as a standby.



The boards are reversible



STEP-BY STEP ASSEMBLY:

STEP 2: Stack The garden bed can be stacked. Please follow below steps to do the connection and then follow up the above steps.

