



# SuperStar<sup>XP</sup>

## Safety Guide & Assembly Instructions



**We're Here To Help!**

**Call Toll Free 1-888-752-9782**

Customer Service: Monday - Friday, 8:00 A.M. to 5:00 P.M. C.S.T.

# SAFETY

- This product is intended for single-family residential use only, by children ages two to ten and a maximum weight of 105 pounds. Any recommendation over 10 years of age or 105 pounds exceeds the upper limits specified in the American Society for Testing and Materials (ASTM) Home Playground Safety Standard. In order for PlayStar to comply with the ASTM Standard, we cannot recommend anyone above these limits.
- It is a misuse of this product when installed or used in places of public assembly such as schools or parks.
- Follow the instructions provided, do not alter its design in any way.
- Construction requires at least two adults capable of heavy lifting.
- Thoroughly read all safety instructions before beginning.
- Children must remain clear of construction site until this product is properly installed and ready for use.
- Save these instructions in the event the manufacturer has to be contacted.

## The Consumer Product Safety Commission provides the following consumer information for your Home Playground Equipment

### Select Protective Surfacing

One of the most important things you can do to reduce the likelihood of serious head injuries is to install shock-absorbing protective surfacing under and around your play equipment. The protective surfacing should be applied to a depth that is suitable for the equipment height in accordance with ASTM F1292. There are different types of surfacing to choose from; whichever product you select, follow these guidelines:

*NOTE: Do not install home playground equipment over concrete, asphalt, packed earth, grass, carpet or any other hard surface. A fall onto a hard surface can result in serious injury or death to the equipment user. Grass and dirt are not considered protective surfacing because wear and environmental factors can reduce their shock absorbing effectiveness. Carpeting and thin mats are generally not adequate protective surfacing. Ground level equipment -- such as a sandbox, activity wall, playhouse or other equipment that has no elevated play surface -- does not need any protective surfacing.*

### Loose-Fill Materials

PlayStar Playsets require fall-height protection from eight feet.

- Maintain a minimum depth of 9 inches of loose-fill materials such as wood mulch / chips, engineered wood fiber (EWF), or shredded/recycled rubber mulch for

equipment up to 8 feet high. NOTE: An initial fill level of 12 inches will compress to about a 9-inch depth of surfacing over time. The surfacing will also compact, displace, and settle, and should be periodically refilled to maintain at least a 9-inch depth.

- Use containment, such as digging out around the perimeter and/or lining the perimeter with landscape edging. Don't forget to account for water drainage.
- Check and maintain the depth of the loose-fill surfacing material. To maintain the right amount of loose-fill materials, mark the correct level on play equipment support posts. That way you can easily see when to replenish and/or redistribute the surfacing.
- **Do not** install loose fill surfacing over hard surfaces such as concrete or asphalt.

### Poured-In-Place Surfaces or Pre-Manufactured Rubber Tiles

You may be interested in using surfacing other than loose-fill materials -- like rubber tiles or poured-in-place surfaces.

- Installations of these surfaces generally require a professional and are not "do-it-yourself" projects.
- Review surface specifications before purchasing this type of surfacing. Ask the installer/manufacturer for a report showing that the product has been tested to the following safety standard: ASTM F1292 *Standard Specification for Impact Attenuation of Surfacing Materials within the Use Zone of Playground Equipment*. This report should show the specific height for which the surface is intended to protect against serious head injury.

This height should be equal to or greater than the *fall height* - vertical distance between a designated play surface (*elevated surface for standing, sitting, or climbing*) and the protective surfacing below - of your play equipment.

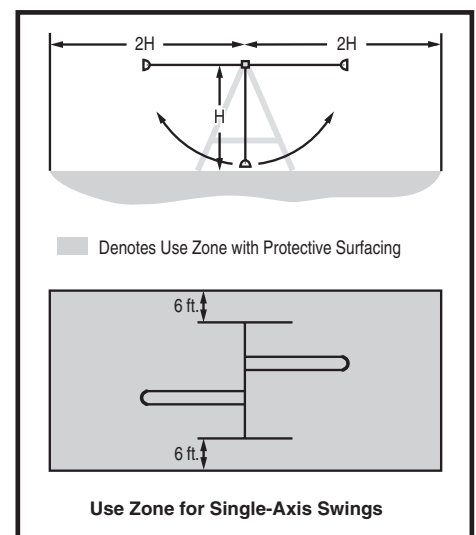
- Check the protective surfacing frequently for wear.

### Placement

Proper placement and maintenance of protective surfacing is essential.

Be sure to;

- Extend surfacing at least 6 feet from the equipment in all directions.
- For to-fro swings, extend protective surfacing in front of and behind the swing to a distance equal to twice the height of the top bar from which the swing is suspended.



# SAFETY

## INSTALLATION:

1. Follow the instructions provided, do not alter its design in any way.
2. Place the equipment on level ground, not less than 6' (1.8m) from any structure or obstruction such as a fence, garage, house, overhanging branches, laundry lines or electrical wires. If the area where you will be installing your playset is not level, you must make it level.
3. Playsets must be anchored to the ground. Follow the anchoring instructions provided with your building kit. If soil conditions permit anchors to be pulled out easily, such as in sandy soil conditions, cementing is required.
4. Tighten all bolts securely to the intended member then cut off all protruding threaded ends of bolts with a hack saw **flush to the end of the nut** and remove sharp edges with a metal file.

**WARNING:** Children must not use the playset until properly installed and proper shock-absorbing surfacing material is in place.

**OPERATION: Observing and following statements and warnings reduces the likelihood of serious or fatal injury.**

1. On-site adult supervision is recommended for children of all ages.
2. Only one child, for each single planned

seat or single planned activity should be allowed on this set at one time, with a maximum weight of **105 pounds** for each child.

**WARNING:** You must teach children the following:

- A. **Not** to walk close to, in front of, behind, or between moving items.
  - B. **Not** to twist swing chains or ropes or loop them over the top support bar since this may reduce the strength of the chain or rope.
  - C. **Avoid** swinging empty seats.
  - D. **To Sit** in the center of the swings with their full weight on the seats.
  - E. **Not** to use the equipment in a manner other than intended.
  - F. **Not** to get off equipment while it is in motion.
  - G. **Not** to climb when equipment is wet.
  - H. **Not** to attach items to the playground equipment that are not specifically designed for use with the equipment such as, but not limited to, jump ropes, clothesline, pet leashes, cables and chain as they may cause a strangulation hazard.
1. **Remove** bike or other sports helmet before playing on the playground equipment.
  3. Verify that suspended climbing ropes are secured at both ends and that they cannot be looped back on themselves.
  4. Never add extra length to chain or rope.

The chains or ropes provided are the maximum length designed for the swinging element(s).

5. Dress children appropriately and do not allow them to wear inappropriate items, such as but not limited to, loose fitting clothing, hood and neck draw strings, scarves, cord-connected items, capes, and ponchos. These items can cause death by strangulation. Provide well-fitting and full enclosure footwear. Examples of inappropriate footwear are clogs, flip flops, and sandals.
6. Verify that all suspended swinging components have at least 8" clearance between the lowest point of component and top of shock-absorbing surfacing material.

**WARNING:** Lawn swings are designed for use by children two years of age and older. Use by children under the age of two can result in entrapment between the seat and backrest. **NEVER** place children in a rearward facing position or with legs between the seat and backrest because the child's body may pass through the opening causing entrapment of the child's head.

## DISPOSAL:

When the playset is to be retired from service, disassemble and dispose of in such a way that no unreasonable hazards will exist. Follow your local disposal requirements.



## ANNUAL MAINTENANCE CHECKLIST

(Copy this section as needed and maintain for your records or visit [www.playstarinc.com/maintenance](http://www.playstarinc.com/maintenance))

**At the beginning of play season:** Date: \_\_\_\_\_

- Tighten all hardware.
- Lubricate all metallic moving parts per manufacturer's instructions.
- Check all protective coverings on bolts, pipes, edges, and corners. Replace if they are loose, cracked, or missing.
- Check all moving parts including swing seats, ropes, cables, and chains for wear, rust, or other deterioration. Replace as needed.
- Check metal parts for rust. If found, sand and repaint using a non lead-based paint meeting the requirements of 16 CRF 1303.
- Check all wood members for deterioration and splinters. Sand down splinters and replace deteriorating wood members.
- Reinstall any plastic parts, such as swing seats or any other items that were removed for the cold season.
- Rake and check depth of loose fill protective surfacing materials to prevent compaction and to maintain appropriate depth. Replace as necessary.

**Twice a month during play season:** Date: \_\_\_\_\_

- Tighten all hardware.
- Check all protective coverings on bolts, pipes, edges, and corners. Replace if they are loose, cracked, or missing.
- Rake and check depth of loose fill protective surfacing materials to prevent compaction and to maintain appropriate depth. Replace as necessary.

**Once a month during play season:** Date: \_\_\_\_\_

- Lubricate all metallic moving parts per manufacturer's instructions.
- Check all moving parts including swing seats, ropes, cables, and chains for wear, rust, or other deterioration. Replace as needed.

**At the end of each play season or when the temperature drops below 0° F:** Date: \_\_\_\_\_

- Remove plastic swing seats and other items as specified by the manufacturer and take indoors or do not use.
- Rake and check depth of loose fill protective surfacing materials to prevent compaction and to maintain appropriate depth. Replace as necessary.

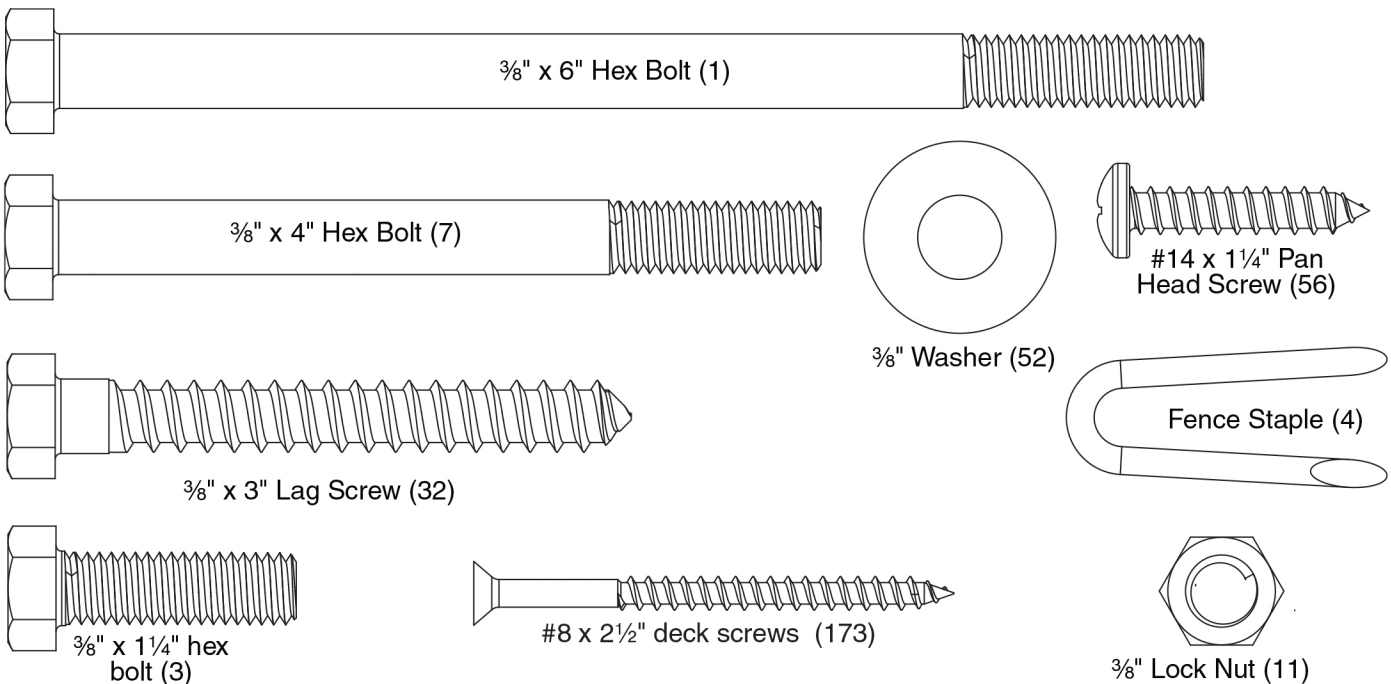
**Owner shall be responsible for maintaining the legibility of any warning labels. If any of these conditions exist, call 1-888-752-9782 for ordering information.**  
Clean plastic components with warm water and a mild detergent such as dish soap.

# TOOLS REQUIRED

Socket Wrench 7/16", 1/2" & 9/16" Socket 5/16" or Adjust. Wrench Ladder	Tape Measure Safety Glasses Drill Saw Horses (Optional)	Square Phillips Screwdriver Saw Punch	Hammer 1/8", 1/4" & 3/8" Drill Bit 3/4" & 1 1/8" Spade Bit Hack Saw	Metal File Pencil Tape Chalk
--	--	--	--	---------------------------------------

# HARDWARE INCLUDED (shown actual size)

Depending on Design Options, some hardware may not be used.



# SAFETY PLAQUE – Mounting Instructions



## SAFETY PLAQUE - LT 7000

1. Place on Swing Beam or in prominent location on Playset.
2. Drill a 1/8" diameter hole 1/2" deep.
3. Fasten with #8 x 5/8" truss head screws provided.

# CONTENTS – Gold Design Option



## Contents:

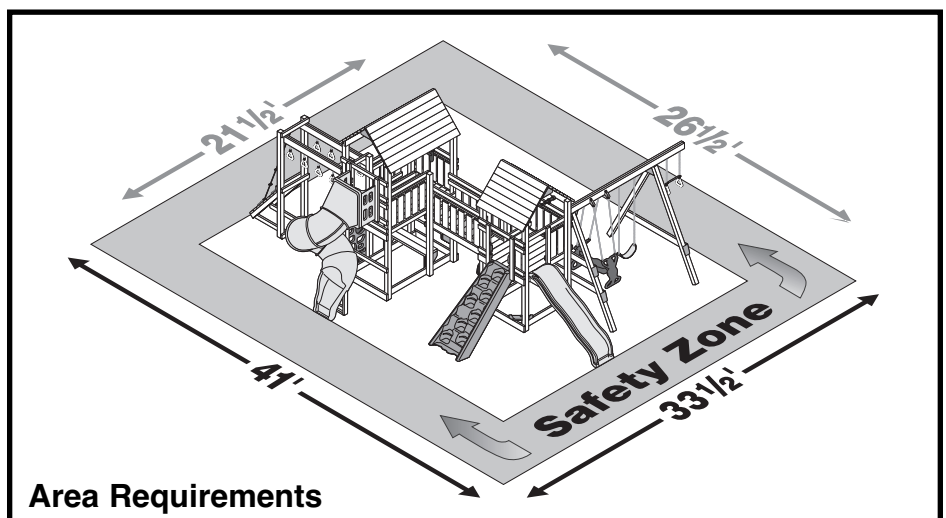
- 1 **Small Tower Assembly**
    - 2 Play Handles
    - 2 Sandbox Seats
  - 1 **Large Tower Assembly**
    - Picnic Table
    - 2 Play Handles
  - 1 **Small Roof Assembly** (7 Bds Ea Sd)
  - 2 **Large Roof Assemblies** (7 Bds Ea)
  - 1 **Bridge Floor Assembly**
  - 2 **Bridge Rail Assemblies**
    - w/ 2 – 2" x 4" x 60" boards
  - 1 **Monkey Ring Base Assembly** (4 Rocks)
  - 2 **Monkey Ring Beam Assemblies**
  - 1 **Swing Beam**
    - (10' Left w/ Air Rider Brackets)
  - 1 **2" x 4" x 28<sup>3</sup>/<sub>8</sub>" board**
  - 1 **2" x 6" x 65<sup>1</sup>/<sub>4</sub>" board**
  - 3 **4" x 4" x 96" boards**
  - 1 **Spiral Tube Slide w/ Pre Assembled Base**
  - 1 **Scoop Wave Slide**
  - 1 **Climbing Wall**
  - 1 **Climbing Steps**
  - 1 **Air Rider (Assembled)**
  - 2 **Vertical Climbers**
- 1 **Component Box - Includes:**
- 1 Swing Seat Assembly (Yellow)
  - 1 Gym Rings Assembly (Yellow)
    - w/ CG Trapeze Bar
  - 1 Telescope
  - 1 Steering Wheel
  - 1 MegaScope
  - 1 Twisted Rope
  - 2 Roof Caps
  - 3 L-H Sturdy-Frame Connectors
  - 1 R-H Sturdy-Frame Connector
  - 1 Sturdy-Frame Brace
  - 11 Anchor Augers
  - 1 Super Star Hardware Bag
  - 1 Super Star F-B Instruction



Front View



Back View



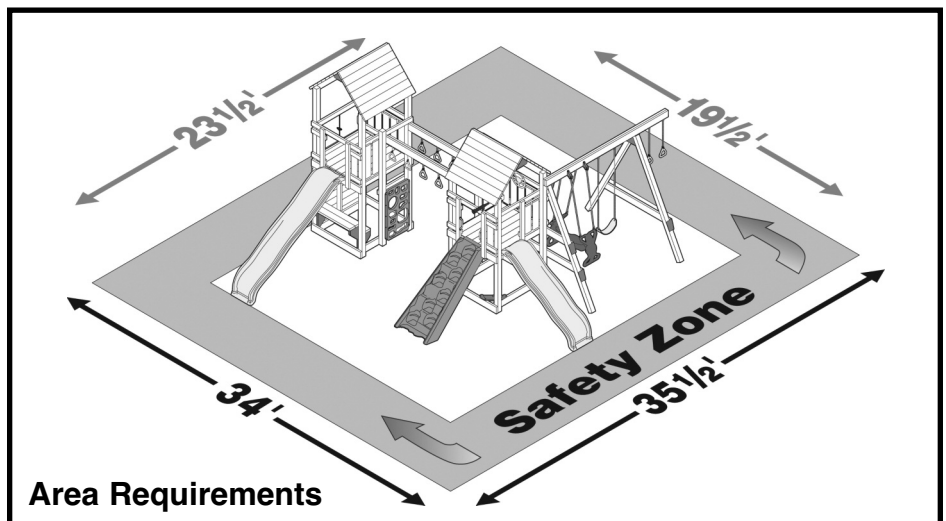
Area Requirements

# CONTENTS – Silver Design Option



## Contents:

- 1 **Small Tower Assembly**
  - 2 Sandbox Seats
  - 2 Play Handles
- 1 **Large Tower Assembly**
  - Picnic Table
  - 2 Play Handles
- 2 **Roof Assemblies** (7 Bds Ea Side)
- 2 **Monkey Ring Beam Assemblies**
- 1 **Swing Beam**
  - (10' Left w/ Air Rider Brackets)
- 1 **2" x 6" x 82¼" board**
- 1 **2" x 6" x 72½" board**
- 1 **2" x 6" x 65¼" board**
- 3 **4" x 4" x 96" boards**
- 1 **2" x 4" x 48" board**
- 1 **2" x 4" x 28⅜" board**
- 1 **Giant Scoop Wave Slide**
- 1 **Scoop Wave Slide**
- 1 **Climbing Wall**
- 1 **Air Ride** (Assembled)
- 1 **Vertical Climber**
- 1 **Component Box - Includes:**
  - 1 Swing Seat Assembly (Yellow)
  - 1 Gym Rings Assembly (Yellow)
  - 1 Telescope
  - 1 Steering Wheel
  - 1 MegaScope
  - 1 Twisted Rope
  - 8 Climbing Rocks
  - 3 L-H Sturdy-Frame Connector
  - 1 R-H Sturdy-Frame Connector
  - 1 Sturdy-Frame Brace
  - 9 Anchor Augers
  - 1 Super Star Hardware Bag
  - 1 Super Star F-B Instruction

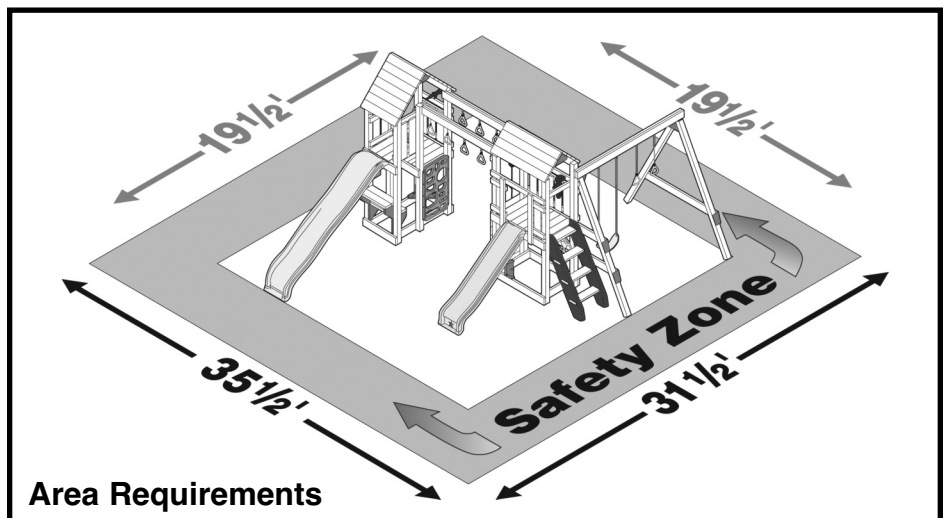


# CONTENTS – Bronze Design Option



## Contents:

- 1 **Front Tower Assembly**
  - 2 Sandbox Seats
- 1 **Back Tower Assembly**
  - Picnic Table
  - 2 Play Handles
- 1 **Roof Assembly** (4 Bds Ea Side)
- 1 **Roof Assembly** (7 Bds Ea Side)
- 2 **Monkey Ring Beam Assemblies**
- 1 **Swing Beam** (8' Left)
  
- 1 **2" x 6" x 65¼" board**
- 3 **4" x 4" x 96" boards**
  
- 1 **Giant Scoop Wave Slide**
- 1 **Scoop Slide**
- 1 **Climbing Steps**
- 2 **Vertical Climbers**
  
- 1 **Component Box - Includes:**
  - 1 Swing Seat Assembly (Yellow)
  - 1 Gym Rings Assembly (Yellow)
  - 1 Telescope
  - 1 Steering Wheel
  - 1 MegaScope
  - 1 Twisted Rope
  - 3 L-H Sturdy-Frame Connector
  - 1 R-H Sturdy-Frame Connector
  - 1 Sturdy-Frame Brace
  - 9 Anchor Augers
  - 1 Super Star Hardware Bag
  - 1 Super Star F-B Instruction



# SMALL TOWER - GOLD

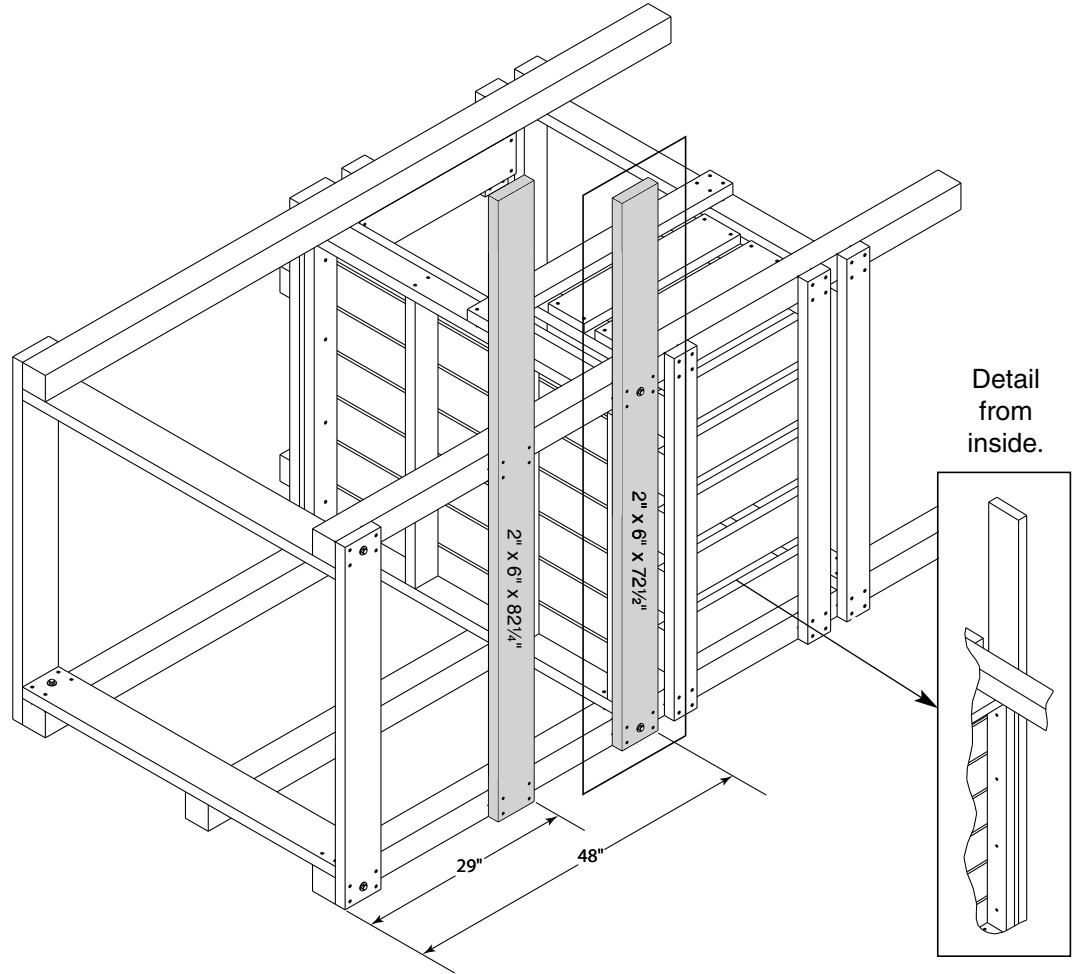
## Items for STEP 1:

- (1) Small Tower Assembly
- (1) 2" x 6" x 82¼" board
- (1) 2" x 6" x 72½" board
- (2) ¾" x 3" lag screws
- (2) ⅜" washers
- (20) #8 x 2½" deck screws

Lay the tower on its side as shown.

Attach 2" x 6" x 82¼" board and 2" x 6" x 72½" board to the tower as shown. Secure with #8 x 2½" deck screws and ¾" x 3" lag screws with ⅜" washers as shown.

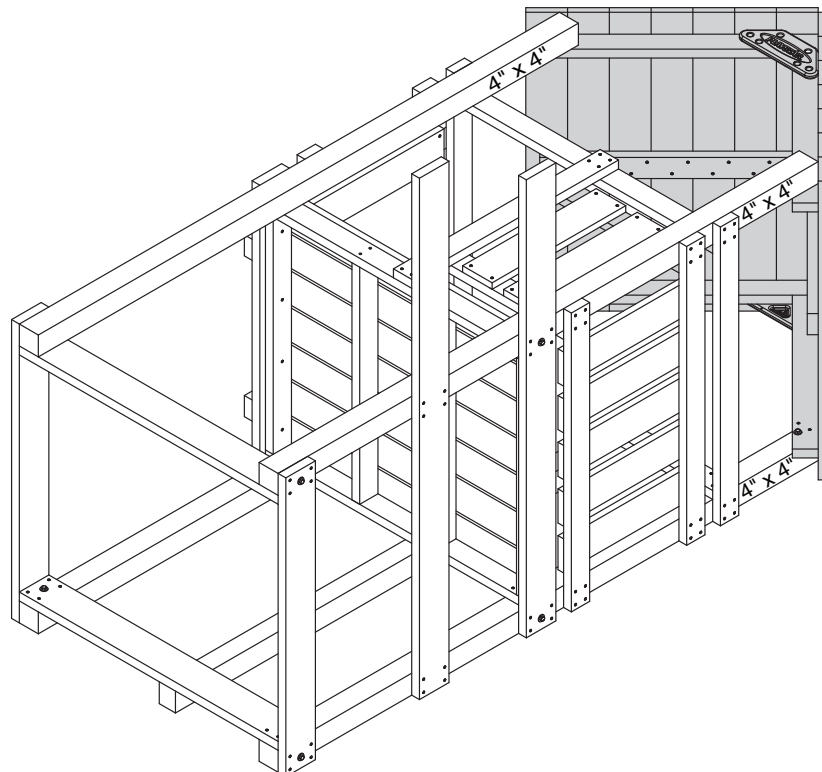
From the back side secure the 2" x 6" x 72½" board through the predilled holes in the deck board with four #8 x 2½" deck screws as shown in detail.



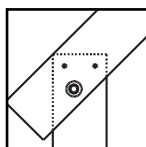
## Items for STEP 2:

- (1) Small Roof Assembly
- (8) #8 x 2½" deck screws
- (4) ¾" x 3" lag screws
- (4) ⅜" washers

Position roof between the 4" x 4" posts (note location of roof caps) as shown. Both sides of roof should overhang equally. Secure each corner of roof assembly with two #8 x 2½" deck screws and one ¾" x 3" lag screw with ⅜" washer. (See below for detail of screw placement.)



Detail of Screw Placement



Predrill –  
 ⅛" Dia. for #8 x 2½" deck screws  
 ¼" Dia. for ¾" x 3" lag screws



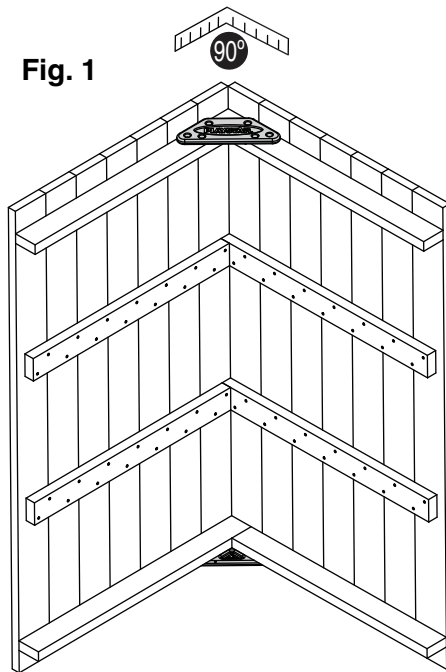
# LARGE TOWER - GOLD

## Items for **STEP 3:**

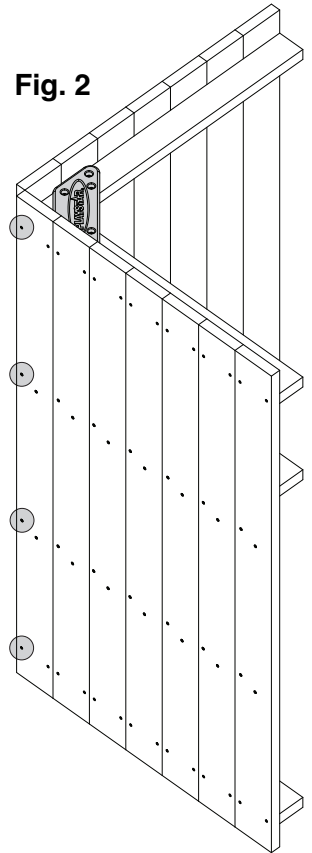
- (2) Large Roof Assemblies
- (2) Roof Caps
- (4) #8 x 2½" deck screws
- (12) #14 x 1¼" pan head screws

Position roof assemblies as shown keeping square. Attach roof caps with twelve #14 x 1¼" pan head screws. **(Fig.1)**

Flip roof assembly as shown. **(Fig 2.)**  
Secure with four #8 x 2½" deck screws in predrilled holes as shown.



**Fig. 2**

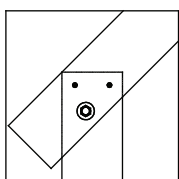
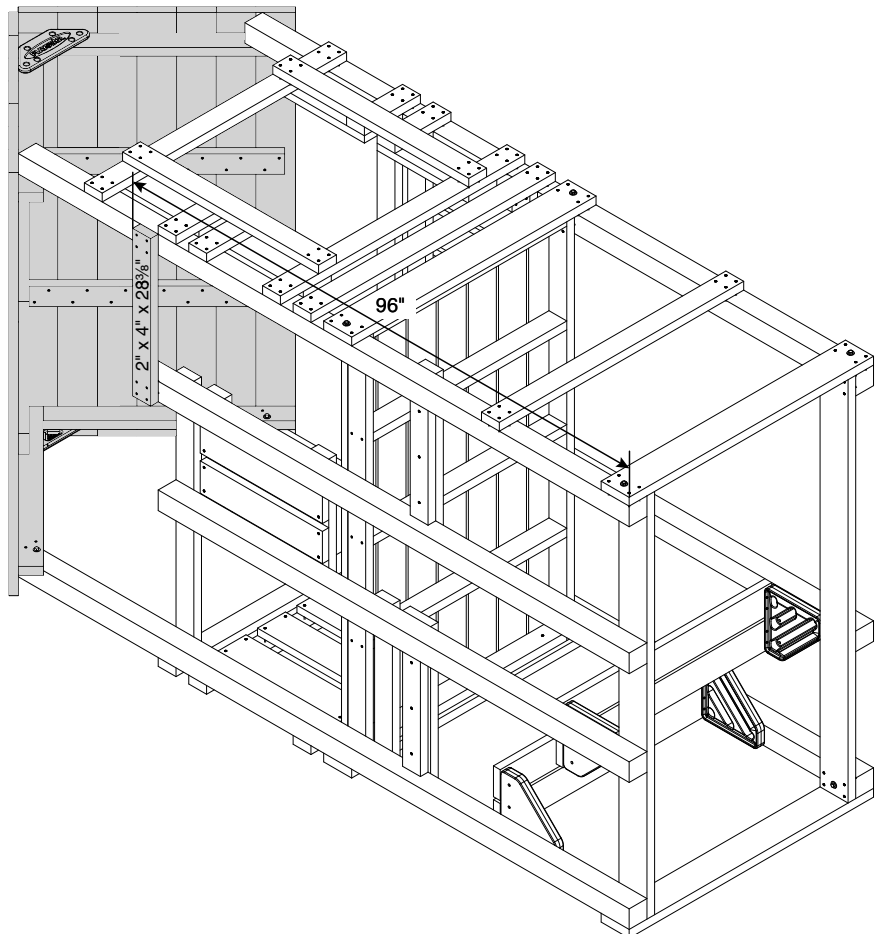


## Items for **STEP 4:**

- (1) Large Tower Assembly
- (1) Large Roof Assembly
- (1) 2" x 4" x 28¾"
- (16) #8 x 2½" deck screws
- (4) ¾" x 3" lag screws
- (4) ¾" washers

Attach 2" x 4" x 28¾" board to the tower as shown. Secure with #8 x 2½" deck screws.

Position roof between the 4" x 4" posts as shown. Both sides of roof should overhang equally. Secure each corner of roof assembly with two #8 x 2½" deck screws and one ¾" x 3" lag screw with ¾" washer. (See below for detail of screw placement.)



*Detail of Screw Placement*

*Predrill –  
1/8" Dia. for #8 x 2½" deck screws  
1/4" Dia. for ¾" x 3" lag screws*

# BRIDGE ASSEMBLY - GOLD

## Items for **STEP 5:**

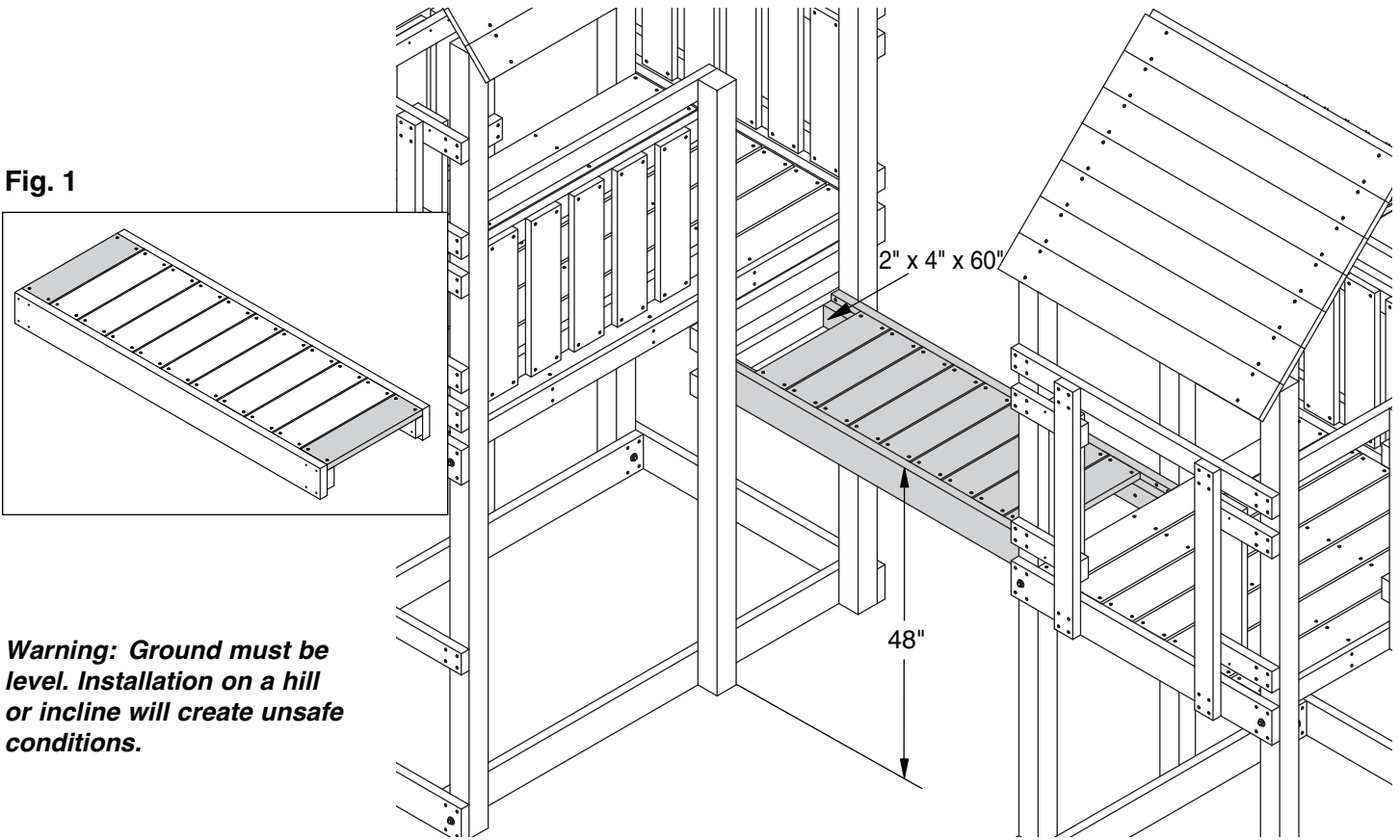
- (1) Bridge Floor Assembly
- (16) #8 x 2½" deck screws

Lift both towers upright and position in final location as shown.

Remove the outermost 5/4" x 6" x 18¾" boards of the Bridge Floor Assembly. (**Fig. 1**)

Connect Towers with Bridge Floor Assembly at dimensions shown. Secure with #8 x 2½" deck screws above and below the ends of the 2" x 4" x 60" boards.

**Fig. 1**



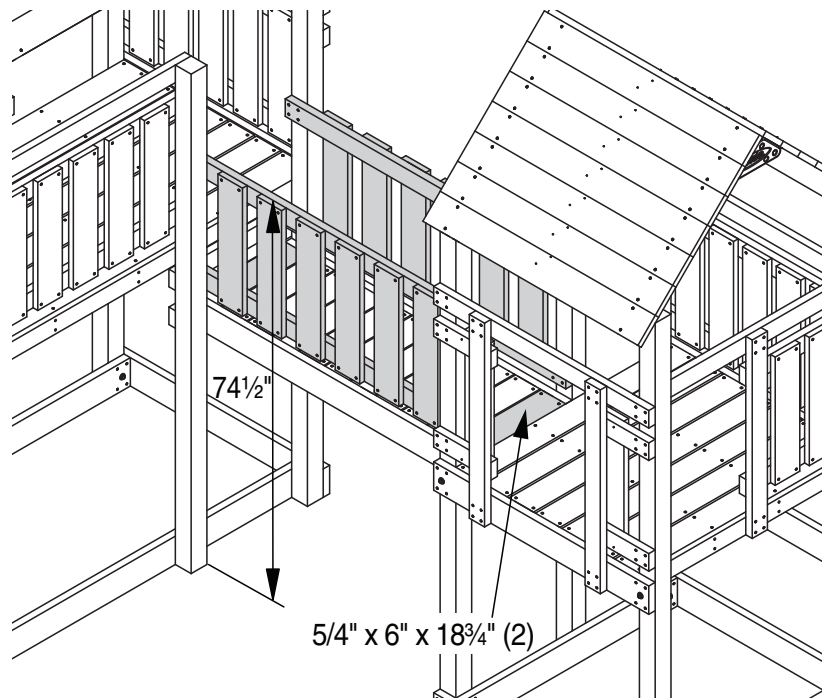
**Warning: Ground must be level. Installation on a hill or incline will create unsafe conditions.**

## Items for **STEP 6:**

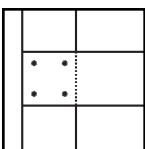
- (2) Bridge Rail Assemblies
- (2) 5/4" x 6" x 18¾" (removed in previous step)
- (32) #8 x 2½" deck screws

Reinstall the outermost 5/4" x 6" x 18¾" boards of the Bridge Floor Assembly.

Position Bridge Rail Assemblies at dimension shown. Secure with #8 x 2½" deck screws.



*Details of Screw Placement*

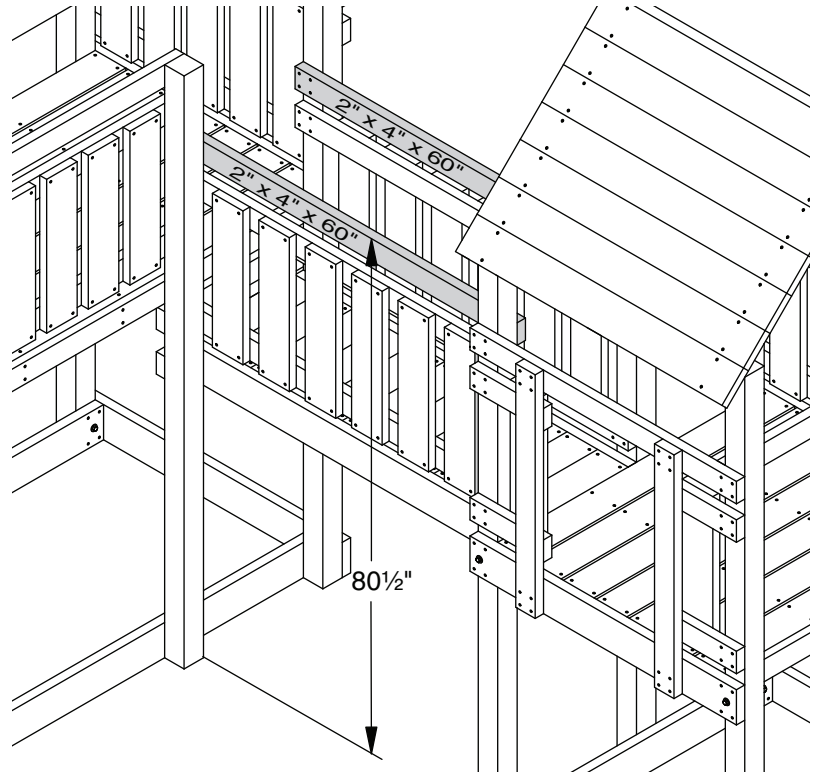


Pre-drill –  
1/8" Dia. for #8 x 2½" deck screws

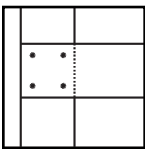
**Items for STEP 7:**

- (2) 2" x 4" x 60" boards
- (16) #8 x 2½" deck screws

Position 2" x 4" x 60" boards at dimensions shown. Secure with #8 x 2½" deck screws.



Details of Screw Placement



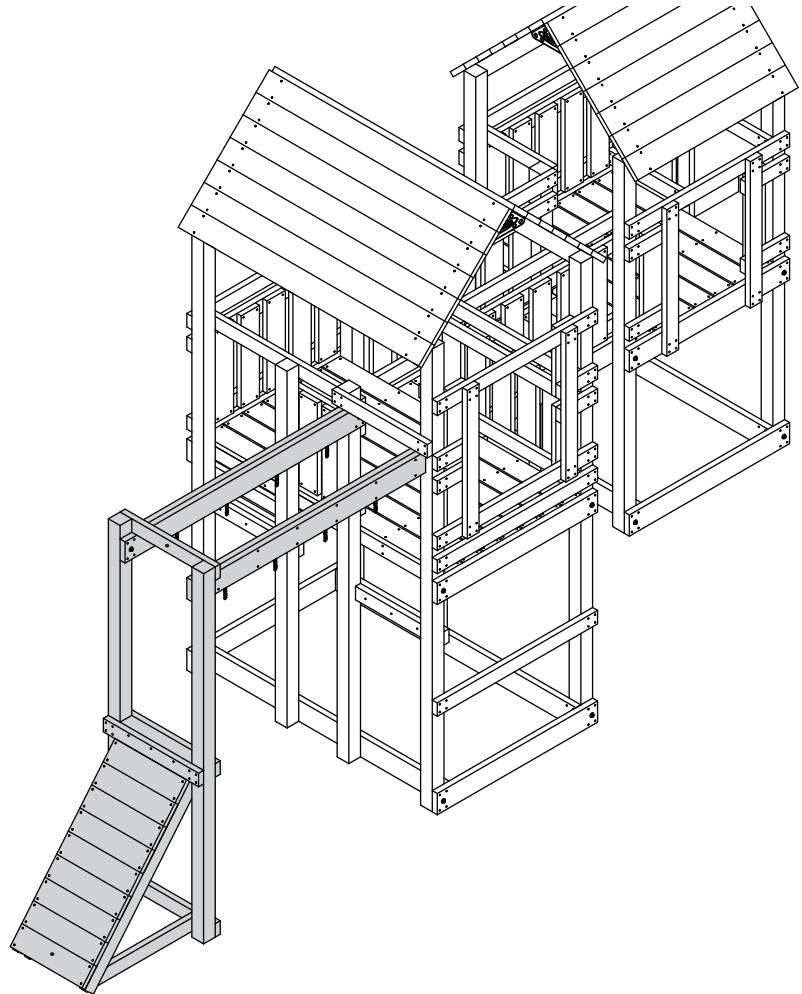
Pre-drill –  
1/8" Dia. for #8 x 2½" deck screws

# MONKEY RING ASSEMBLY - GOLD

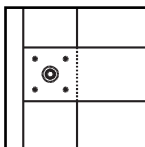
**Items for STEP 8:**

- (1) Monkey Ring Base Assembly
- (2) Monkey Ring Beam Assemblies
- (4) 3/8" x 3" lag screws
- (4) 3/8" flat washers
- (16) #8 x 2½" deck screws

Position base assembly approximately six feet from tower opening. Position beam assemblies as shown. Secure with #8 x 2½" deck screws, 3/8" x 3" lag screws and 3/8" flat washers.



Details of Screw Placement



Pre-drill –  
1/8" Dia. for #8 x 2½" deck screws  
1/4" Dia. for 3/8" x 3" lag screws

# FRONT TOWER ASSEMBLY - SILVER

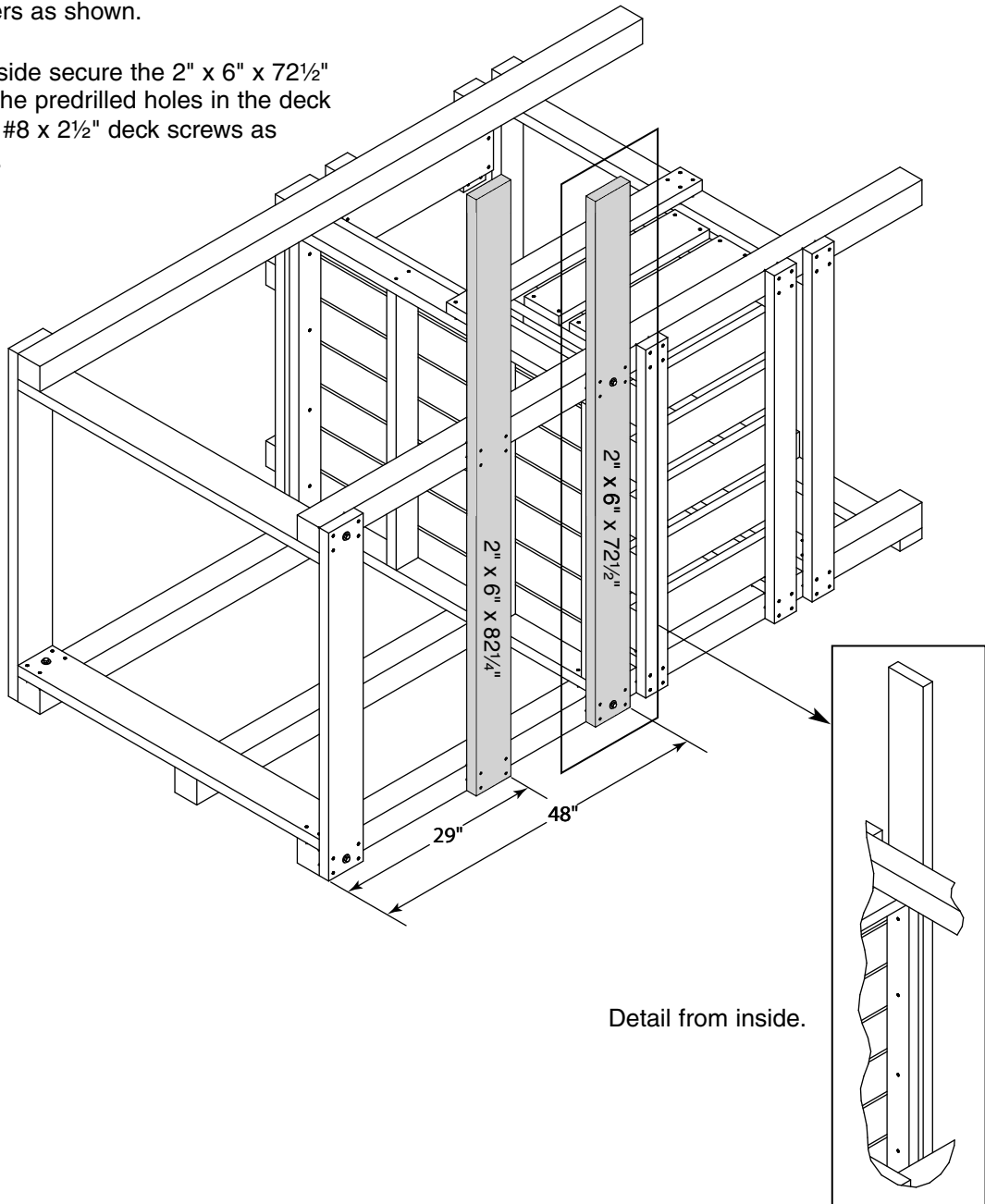
## Items for STEP 1:

- (1) Front Tower Assembly
- (1) 2" x 6" x 82¼" board
- (1) 2" x 6" x 72½" board
- (2) ¾" x 3" lag screws
- (2) ⅜" washers
- (20) #8 x 2½" deck screws

Lay the tower on its side as shown.

Attach 2" x 6" x 82¼" board and 2" x 6" x 72½" board to the tower as shown. Secure with #8 x 2½" deck screws and ¾" x 3" lag screws with ⅜" washers as shown.

From the back side secure the 2" x 6" x 72½" board through the predrilled holes in the deck board with four #8 x 2½" deck screws as shown in detail.



## Items for **STEP 2:**

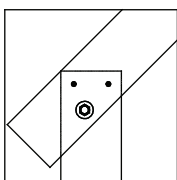
- (1) Roof Assembly
- (4)  $\frac{3}{8}$ " x 3" lag screws
- (4)  $\frac{3}{8}$ " washers
- (8) #8 x 2 $\frac{1}{2}$ " deck screws

Position roof assembly so both sides of roof overhang 4" x 4" boards equally. Secure each corner with two #8 x 2 $\frac{1}{2}$ " deck screws and one  $\frac{3}{8}$ " x 3" lag screw with  $\frac{3}{8}$ " washer. (See below for detail of screw placement.)

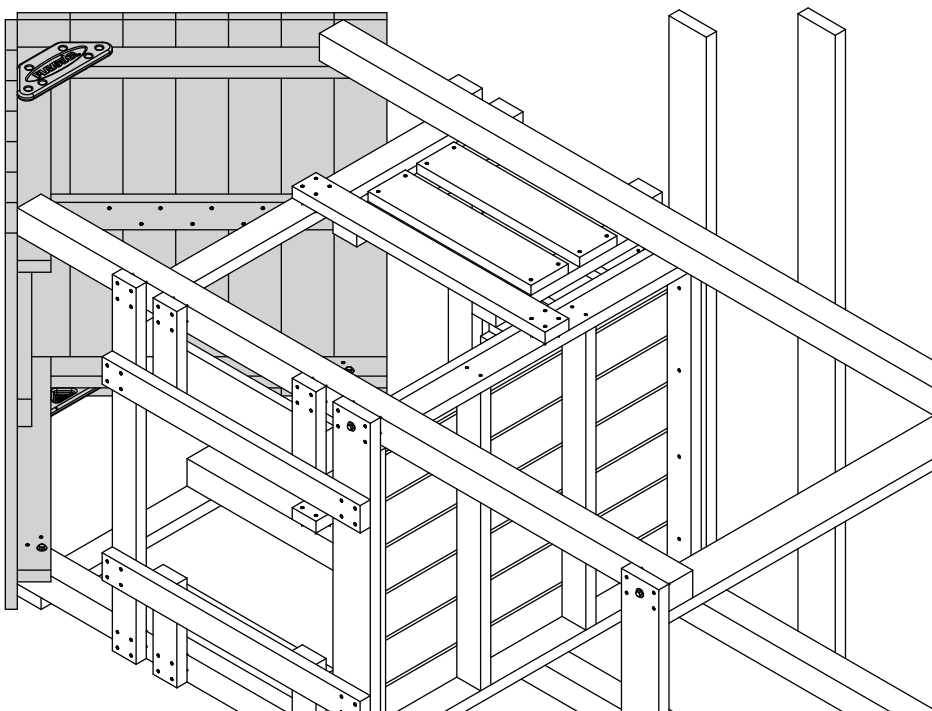
Lift tower assembly upright and position in desired location.

**Caution:** *Ground must be level. Installation on a hill or incline will create unsafe conditions.*

### Detail of Screw Placement



Pre-drill –  
 $\frac{1}{8}$ " Dia. for #8 x 2 $\frac{1}{2}$ " deck screws  
 $\frac{1}{4}$ " Dia. for  $\frac{3}{8}$ " x 3" lag screws



## **BACK TOWER ASSEMBLY - SILVER**

## Items for **STEP 3:**

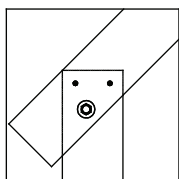
- (1) Back Tower Assembly
- (1) Roof Assembly
- (4)  $\frac{3}{8}$ " x 3" lag screws
- (4)  $\frac{3}{8}$ " washers
- (8) #8 x 2 $\frac{1}{2}$ " deck screws

Position roof assembly so both sides of roof overhang 4" x 4" boards equally. Secure each corner with two #8 x 2 $\frac{1}{2}$ " deck screws and one  $\frac{3}{8}$ " x 3" lag screw with  $\frac{3}{8}$ " washer. (See below for detail of screw placement.)

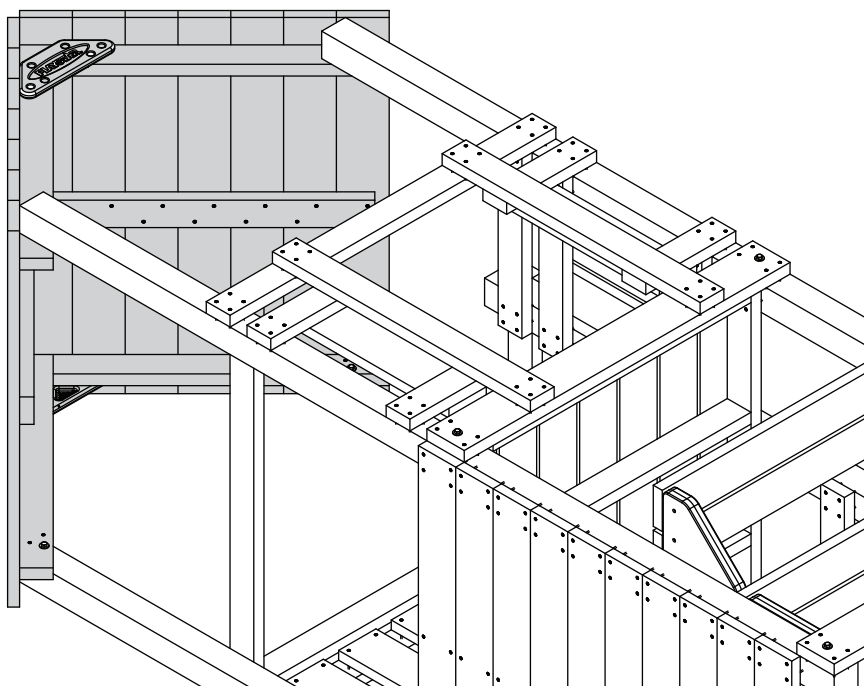
Lift tower assembly upright and position in desired location.

**Caution:** *Ground must be level. Installation on a hill or incline will create unsafe conditions.*

### Detail of Screw Placement



Pre-drill –  
 $\frac{1}{8}$ " Dia. for #8 x 2 $\frac{1}{2}$ " deck screws  
 $\frac{1}{4}$ " Dia. for  $\frac{3}{8}$ " x 3" lag screws



# MONKEY RINGS ASSEMBLY - SILVER

## Items for **STEP 4:**

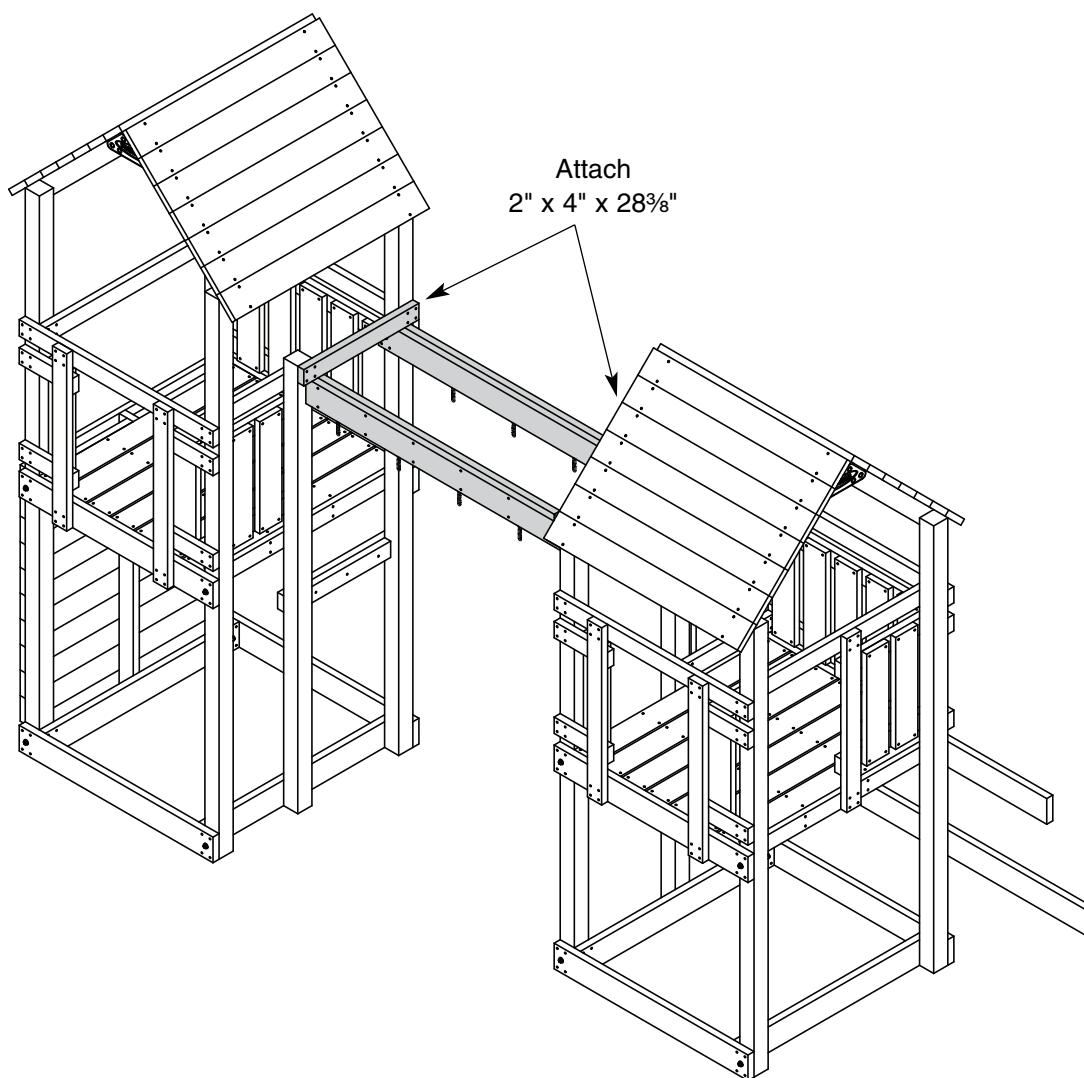
- (2) Monkey Ring Beam Assemblies
- (2) 2" x 4" x 28<sup>3</sup>/<sub>8</sub>"
- (4) <sup>3</sup>/<sub>8</sub>" x 3" lag screws
- (4) <sup>3</sup>/<sub>8</sub>" washers
- (16) #8 x 2<sup>1</sup>/<sub>2</sub>" deck screws

Position Towers approximately six feet apart as shown.

Attach 2" x 4" x 28<sup>3</sup>/<sub>8</sub>" on each tower directly above Monkey Ring assembly beam as shown.

Position Monkey Ring Assemblies as shown.

Secure with #8 x 2<sup>1</sup>/<sub>2</sub>" deck screws and <sup>3</sup>/<sub>8</sub>" x 3" lag screws with washers.



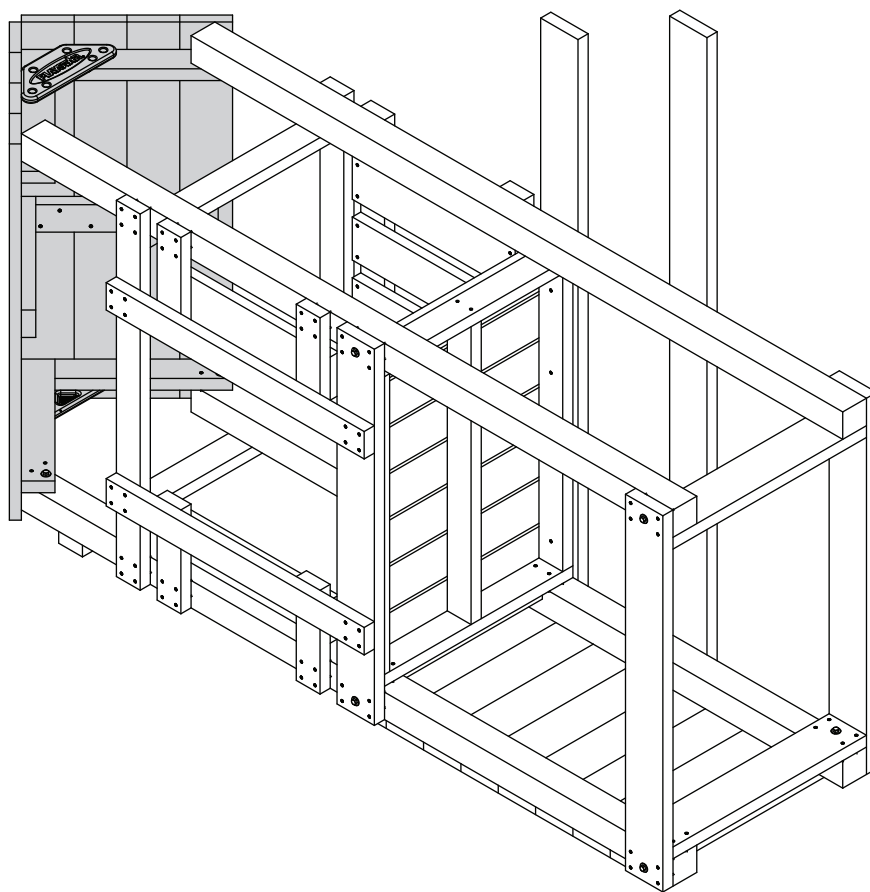
# FRONT TOWER ASSEMBLY - BRONZE

## Items for **STEP 1:**

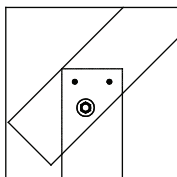
- (1) Front Tower Assembly
- (1) Roof Assembly
- (4)  $\frac{3}{8}$ " x 3" lag screws
- (4)  $\frac{3}{8}$ " washers
- (8) #8 x 2 $\frac{1}{2}$ " deck screws

Position roof assembly so both sides of roof overhang 4" x 4" boards equally. Secure each corner with two #8 x 2 $\frac{1}{2}$ " deck screws and one  $\frac{3}{8}$ " x 3" lag screw with  $\frac{3}{8}$ " washer. (See below for detail of screw placement.)

Lift tower assembly upright and position in desired location.



*Detail of Screw Placement*



*Predrill –*  
 *$\frac{1}{8}$ " Dia. for #8 x 2 $\frac{1}{2}$ " deck screws*  
 *$\frac{1}{4}$ " Dia. for  $\frac{3}{8}$ " x 3" lag screws*

**Caution: Ground must be level. Installation on a hill or incline will create unsafe conditions.**

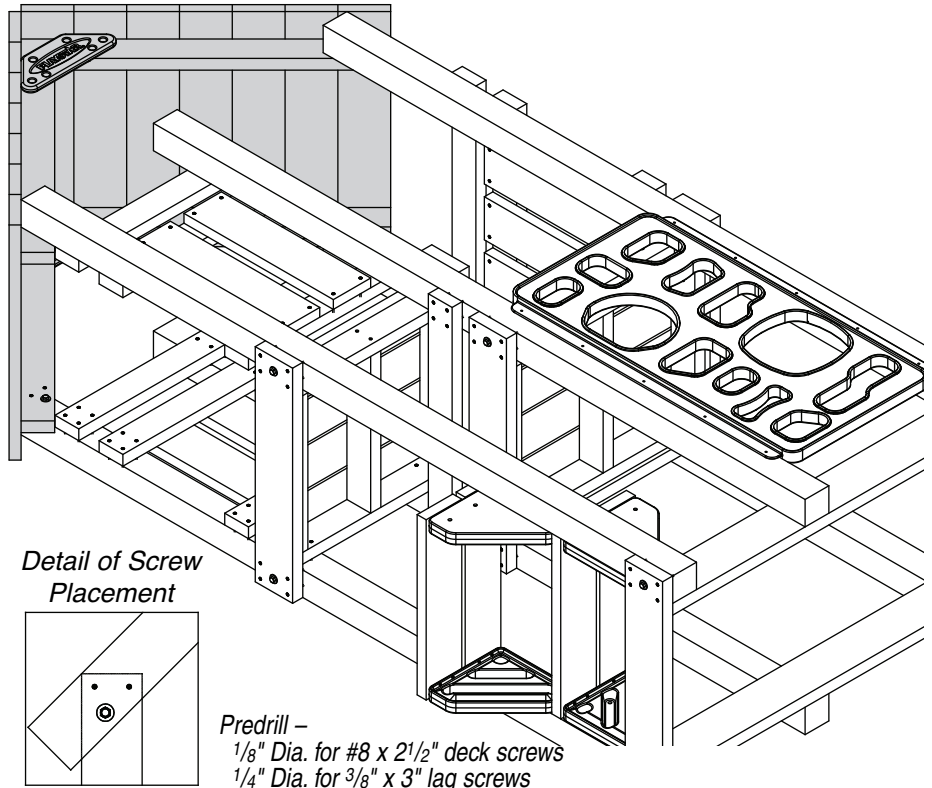
# BACK TOWER ASSEMBLY - BRONZE

## Items for STEP 2:

- (1) Back Tower Assembly
- (1) Roof Assembly
- (4)  $\frac{3}{8}$ " x 3" lag screws
- (4)  $\frac{3}{8}$ " washers
- (8) #8 x 2 $\frac{1}{2}$ " deck screws

Position roof assembly so both sides of roof overhang 4" x 4" boards equally. Secure each corner with two #8 x 2 $\frac{1}{2}$ " deck screws and one  $\frac{3}{8}$ " x 3" lag screw with  $\frac{3}{8}$ " washer. (See below for detail of screw placement.)

Lift tower assembly upright and position in desired location.



**Caution:** *Ground must be level. Installation on a hill or incline will create unsafe conditions.*

# MONKEY RING ASSEMBLY - BRONZE

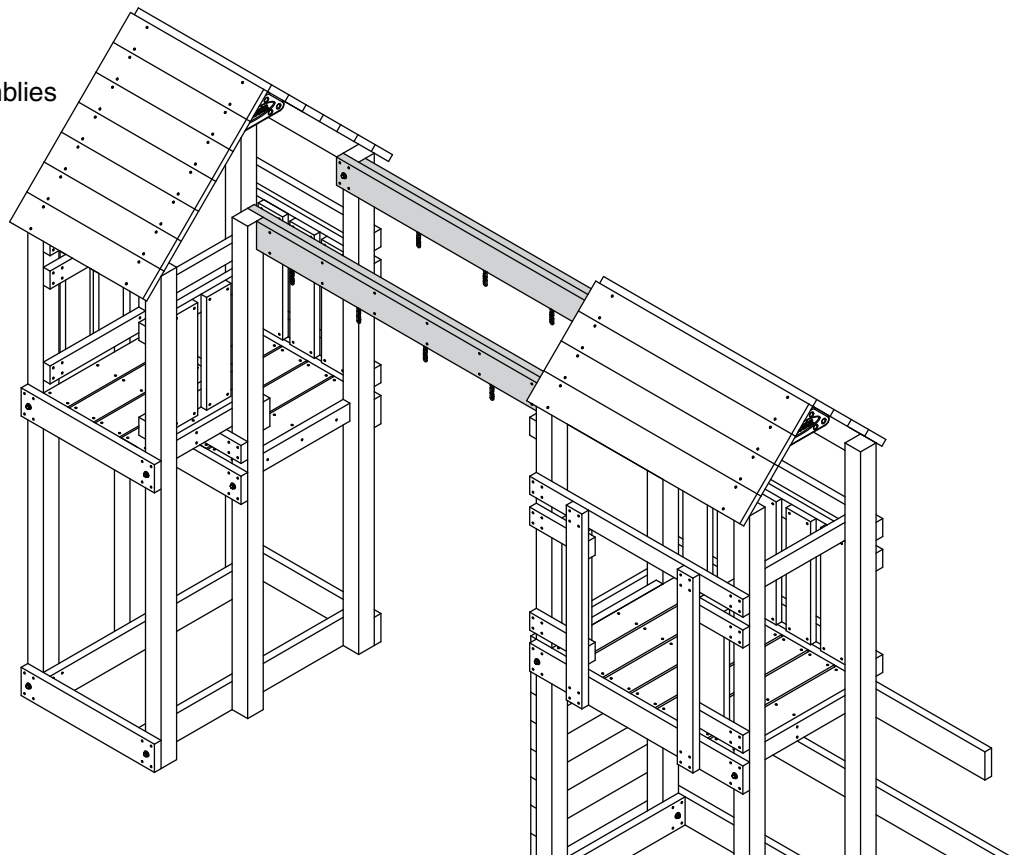
## Items for STEP 3:

- (2) Monkey Ring Beam Assemblies
- (4)  $\frac{3}{8}$ " x 3" lag screws
- (4)  $\frac{3}{8}$ " washers
- (16) #8 x 2 $\frac{1}{2}$ " deck screws

Position Towers approximately six feet apart as shown.

Position Monkey Ring Beam Assemblies as shown.

Secure with #8 x 2 $\frac{1}{2}$ " deck screws and  $\frac{3}{8}$ " x 3" lag screws with washers.



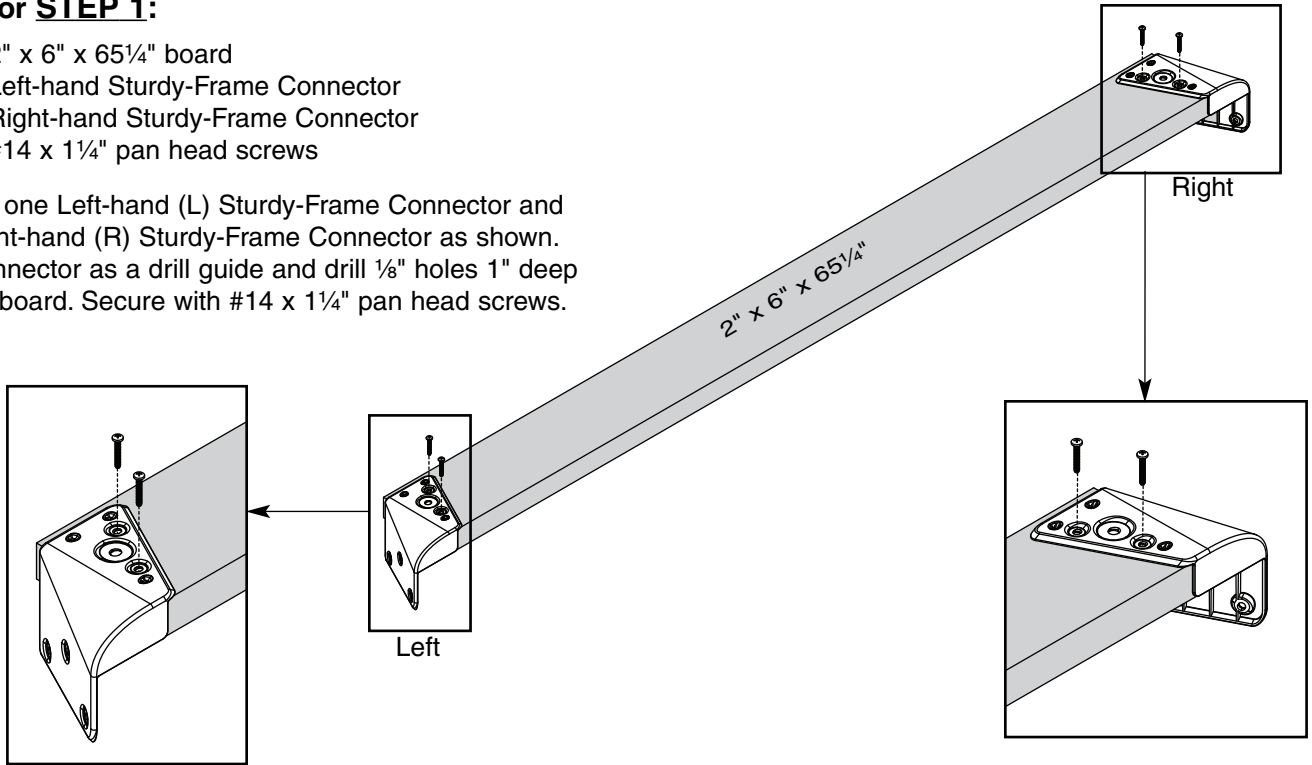


# SWING BEAM

## Items for STEP 1:

- (1) 2" x 6" x 65¼" board
- (1) Left-hand Sturdy-Frame Connector
- (1) Right-hand Sturdy-Frame Connector
- (4) #14 x 1¼" pan head screws

Position one Left-hand (L) Sturdy-Frame Connector and one Right-hand (R) Sturdy-Frame Connector as shown. Use Connector as a drill guide and drill ⅛" holes 1" deep into the board. Secure with #14 x 1¼" pan head screws.

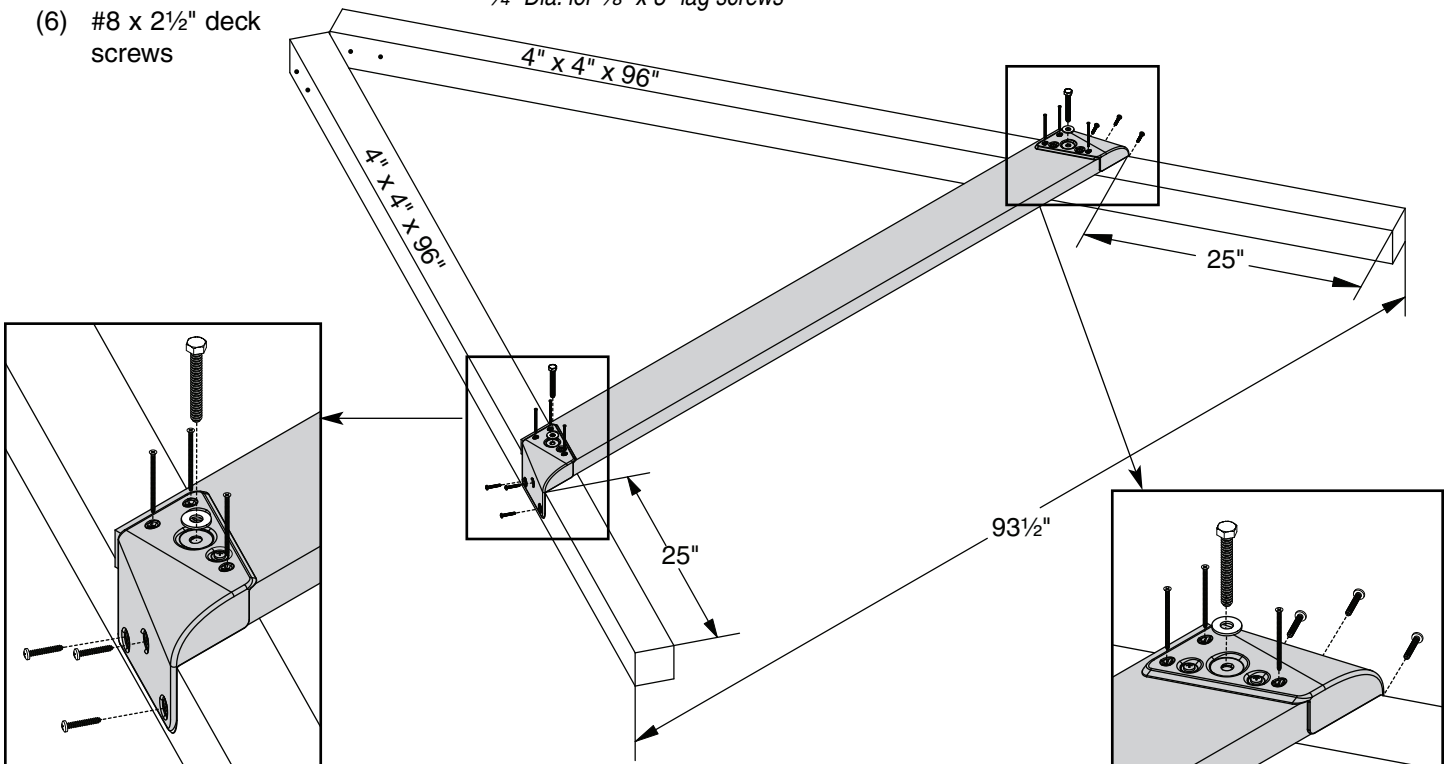


## Items for STEP 2:

- (2) 4" x 4" x 96" boards
- (2) ⅜" x 3" lag screws
- (2) ⅜" washers
- (6) #14 x 1¼" pan head screws
- (6) #8 x 2½" deck screws

Position 4" x 4" x 96" boards as shown, noting the position of the pre-drilled holes. Secure with #14 x 1¼" pan head screws, #8 x 2½" deck screws and ⅜" x 3" lag screws with washers.

*Predrill –*  
 ⅛" Dia. for #8 x 2½" deck screws  
 ⅛" Dia. for #14 x 1¼" pan head screws  
 ¼" Dia. for ⅜" x 3" lag screws



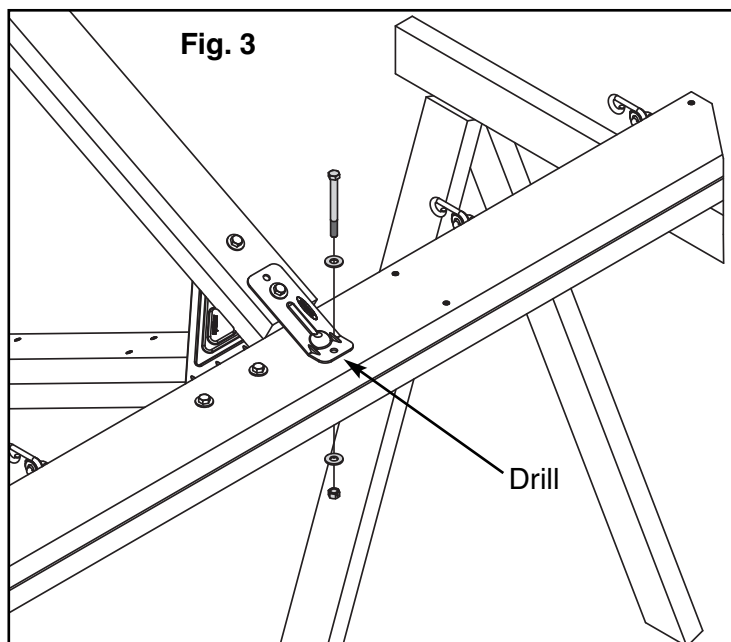
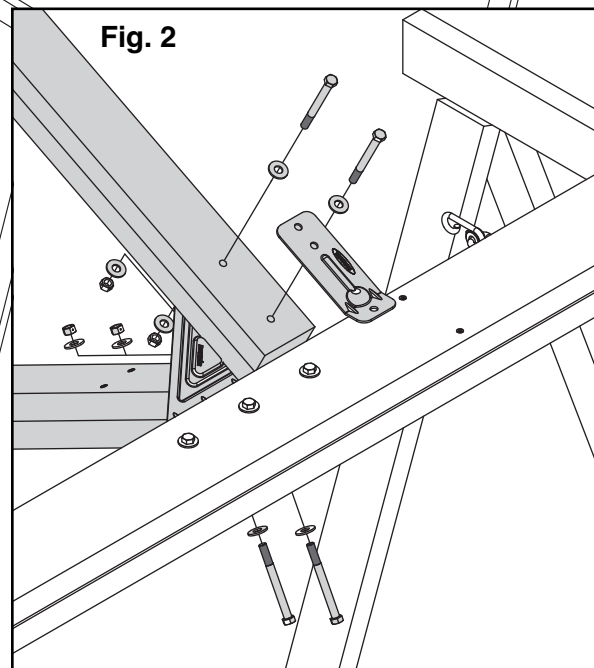
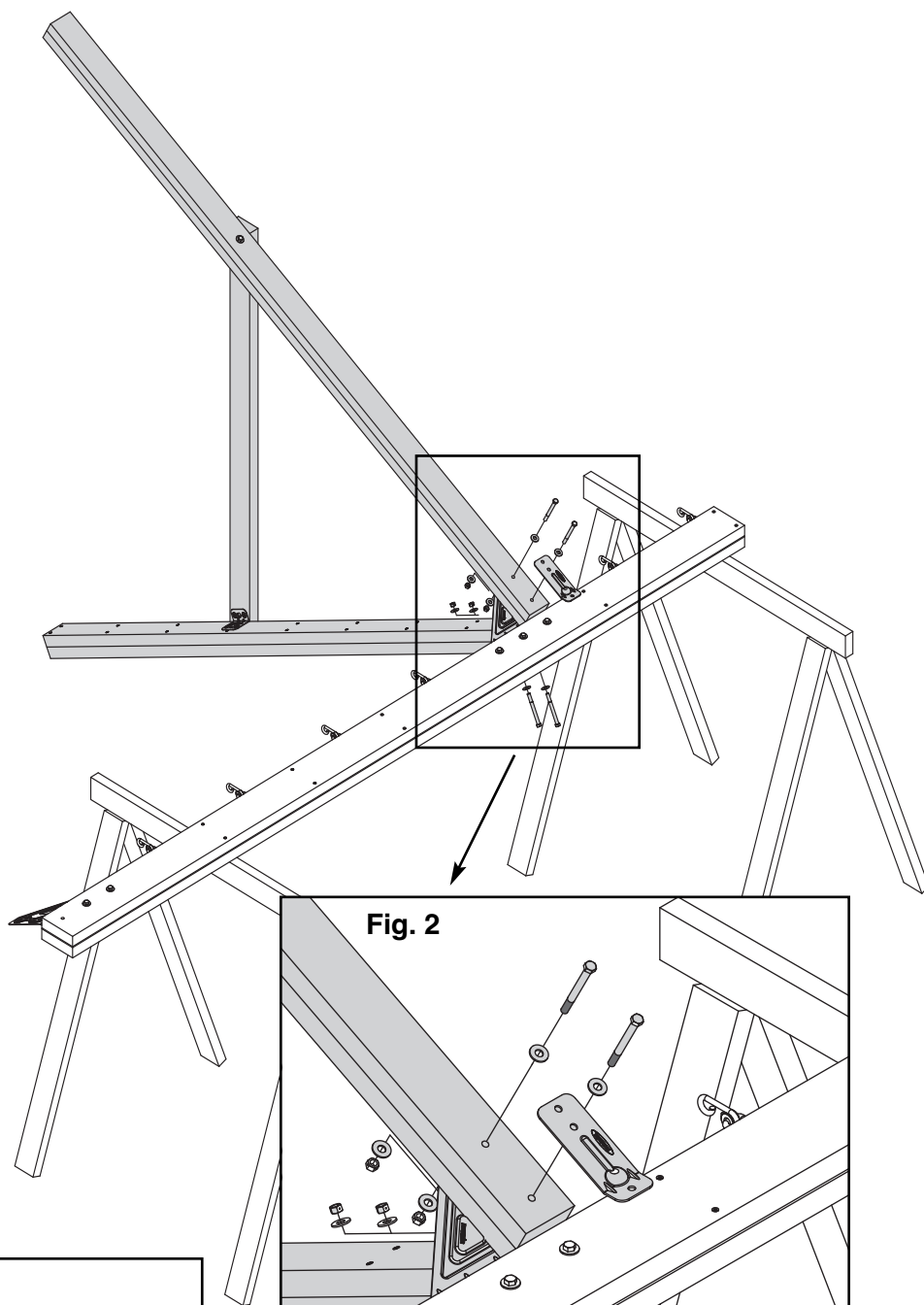
### Items for **STEP 3:**

- (1) Laminated Swing Beam with Brackets
- (1) A-Frame Assembly
- (1) Sturdy-Frame Brace
- (1) 4" x 4" x 96"
- (7)  $\frac{3}{8}$ " x 4" hex bolts
- (14)  $\frac{3}{8}$ " washers
- (7)  $\frac{3}{8}$ " lock nuts

Lay swing beam on saw horses with the single bracket pointing down as shown.

Position the A-frame assembly so that the top post is above the top bracket and the bottom post is below the bottom bracket. Line up the holes in the brackets with the holes in the posts and secure with  $\frac{3}{8}$ " x 4" hex bolts,  $\frac{3}{8}$ " washers and  $\frac{3}{8}$ " lock nuts. **(Fig. 2)**

Install the Sturdy-Frame Brace as shown and secure with  $\frac{3}{8}$ " x 3 $\frac{1}{2}$ " hex bolt,  $\frac{3}{8}$ " washer and lock nut. **(Fig. 2)**

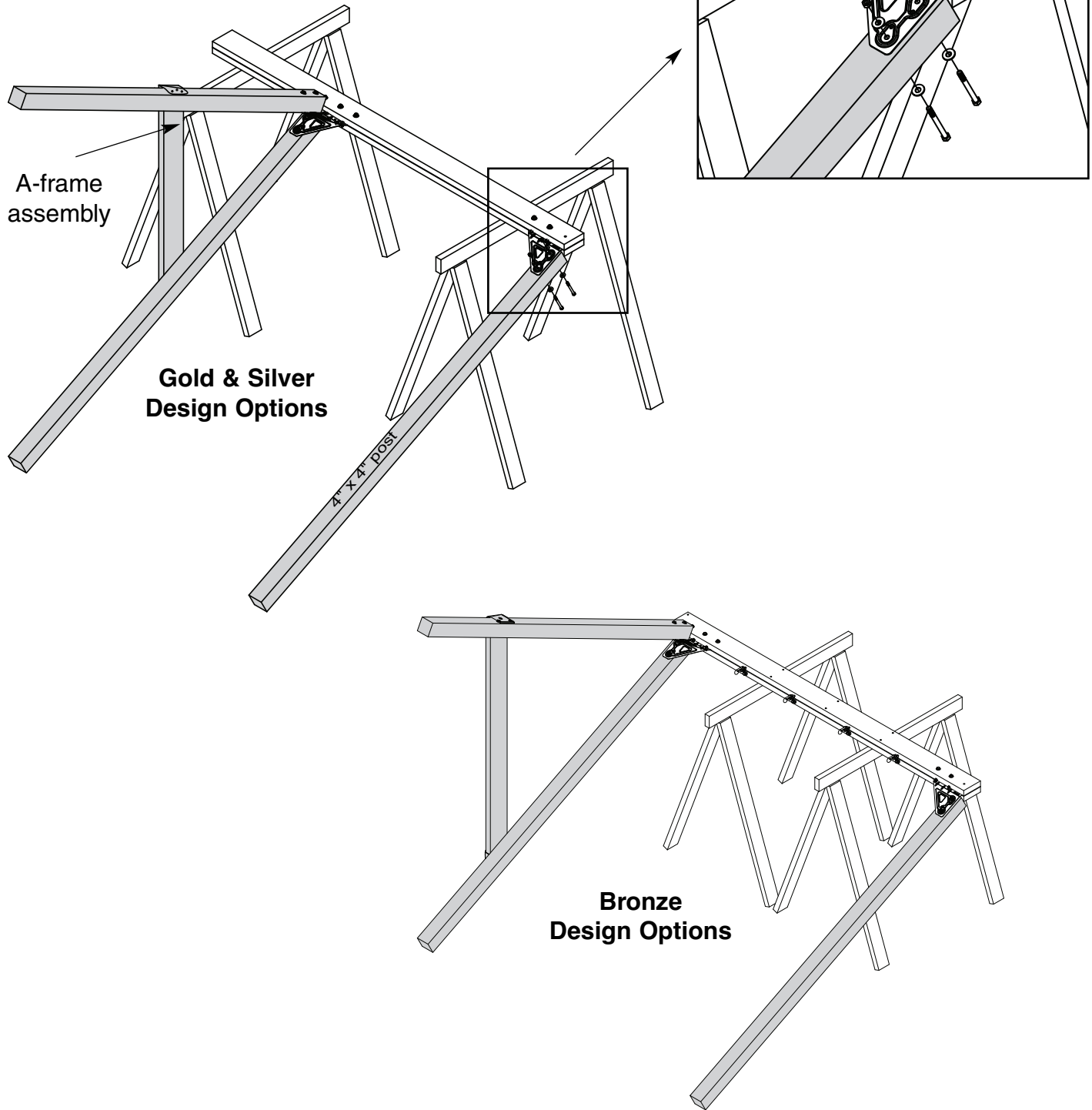


Make sure Sturdy-Frame Brace is square to beam. Using the brace as a template, drill a  $\frac{3}{8}$ " hole completely through beam. **(Fig. 3)**

Secure the Sturdy-Frame Brace to the beam with a  $\frac{3}{8}$ " x 3 $\frac{1}{2}$ " hex bolt,  $\frac{3}{8}$ " washer and  $\frac{3}{8}$ " lock nut.

Position the single 4" x 4" post under the single bracket so that the holes of the bracket line up with the holes in the single post.

Secure with  $\frac{3}{8}$ " x 4" hex bolts,  $\frac{3}{8}$ " washers and  $\frac{3}{8}$ " lock nuts as shown.

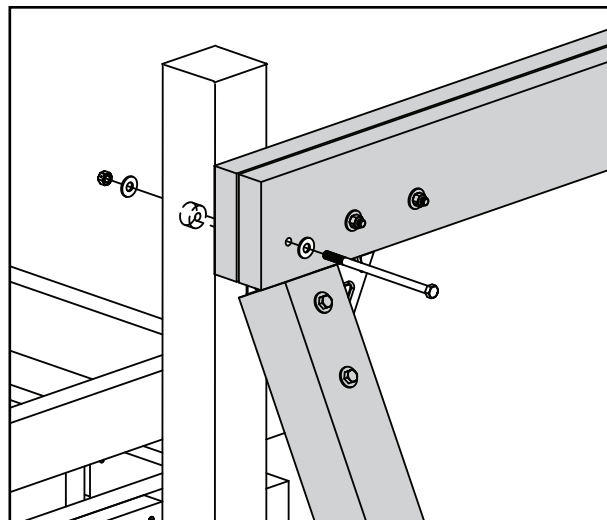


**Items for STEP 4:**

- (1) Swing Beam Assembly
- (1)  $\frac{3}{8}$ " x 6" hex bolt
- (2)  $\frac{3}{8}$ " washers
- (1)  $\frac{3}{8}$ " lock nut

Lift Swing Beam Assembly to an upright position and attach to the 4' Tower using  $\frac{3}{8}$ " x 6" hex bolt, washers and lock nut as shown.

Shown without roof for easier viewing.

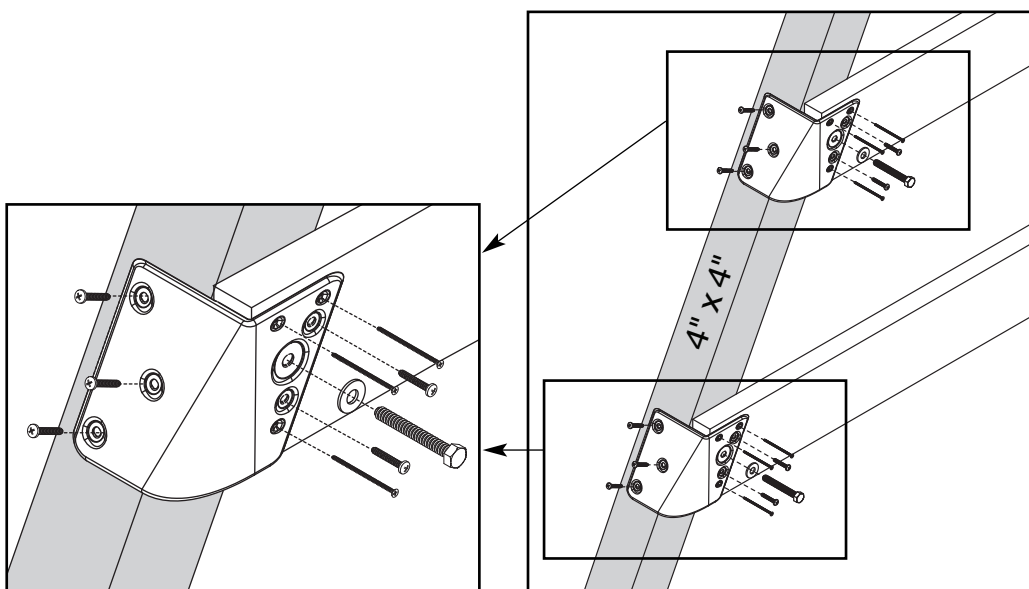


**Items for STEP 5:**

- (2) Left-hand Sturdy-Frame Connectors
- (10) #14 x  $1\frac{1}{4}$ " pan head screws
- (6) #8 x  $2\frac{1}{2}$ " deck screws
- (2)  $\frac{3}{8}$ " x 3" lag screws
- (2)  $\frac{3}{8}$ " washers

Secure the Single-Post 4" x 4" board to the boards you attached in **Step 2** with Left-hand Sturdy-Frame Connectors as shown.

Predrill –  
 $\frac{1}{8}$ " Dia. for #8 x  $2\frac{1}{2}$ " deck screws  
 $\frac{1}{8}$ " Dia. for #14 x  $1\frac{1}{4}$ " pan head screws  
 $\frac{1}{4}$ " Dia. for  $\frac{3}{8}$ " x 3" lag screws

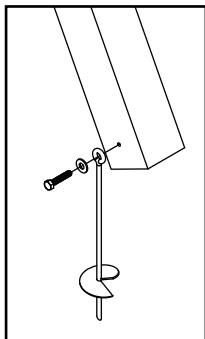


# ANCHORING

At locations shown screw Playset Anchors into ground by hand (a long screwdriver will help).

Use the anchor as a drill guide and drill a  $\frac{1}{4}$ " hole  $2\frac{1}{2}$ " deep into the board. Attach with  $\frac{3}{8}$ " x 3" lag screw and  $\frac{3}{8}$ " washer.

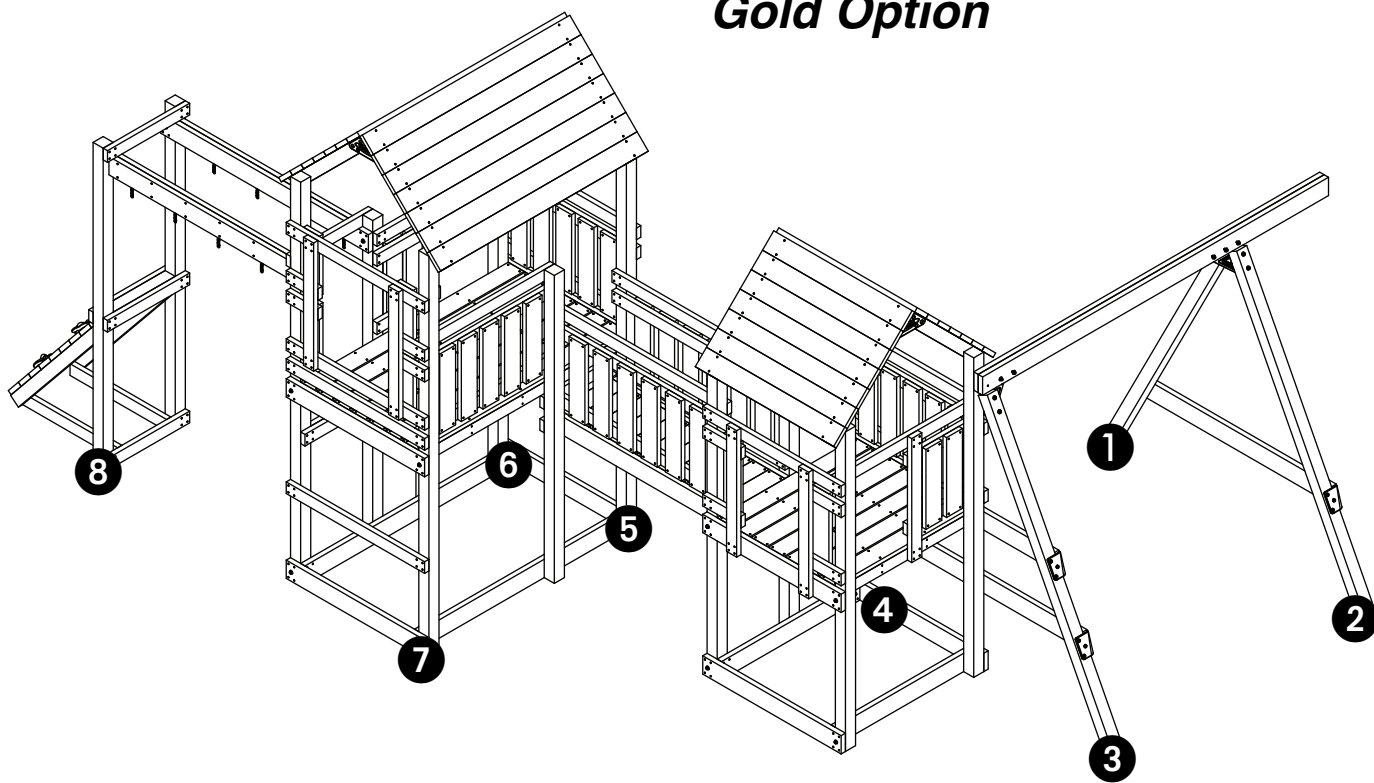
When anchoring at tower locations, back out existing  $\frac{3}{8}$ " x 3" lag screw with washer. Screw anchor into ground until loop in anchor lines up with hole in tower. Reinstall lag screw with washer to secure anchor.



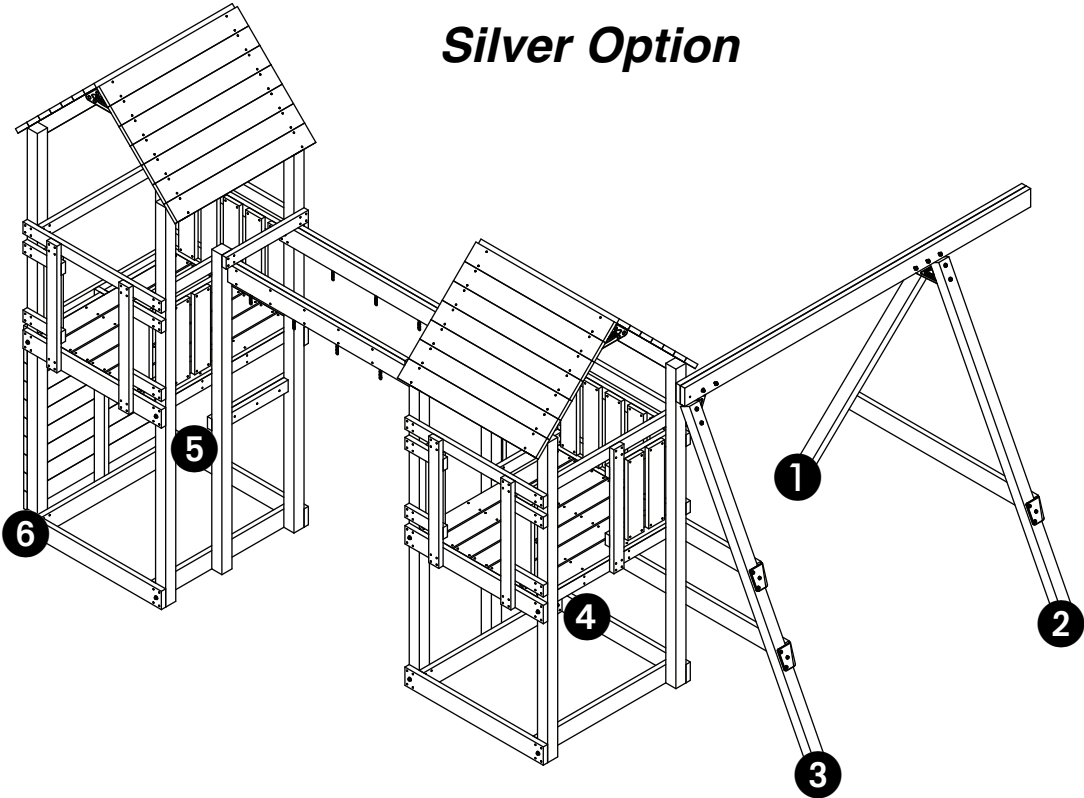
**Note:** *If soil conditions permit anchors to be pulled out easily, such as in sandy soil conditions, cementing is required. If your ground is too hard to screw in the anchors, or you are having trouble lining up anchor with existing hole in tower, you can remove the earth with a shovel. Install the anchors and compact the earth as you replace it. Anchors must be placed below the level of the shock-absorbing surfacing material to prevent tripping or injury resulting from a fall.*

**Reminder:** *Be sure to install proper shock-absorbing surfacing material. Refer to the Safety Guide at the beginning of this plan.*

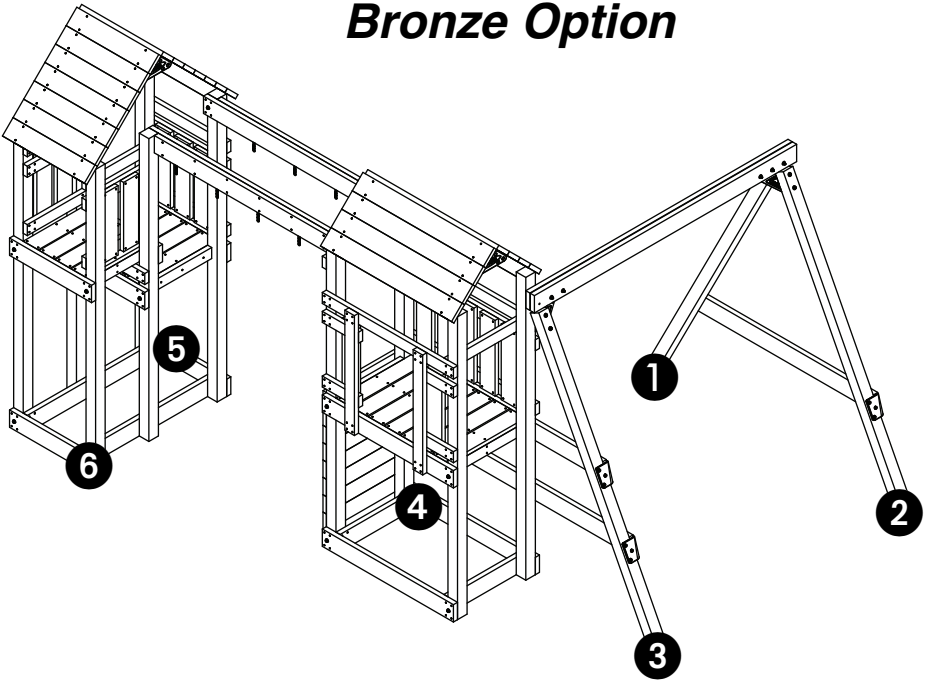
## Gold Option



**Silver Option**



**Bronze Option**



# SLIDE – Mounting Instructions

## Scoop Slide - PS 8813

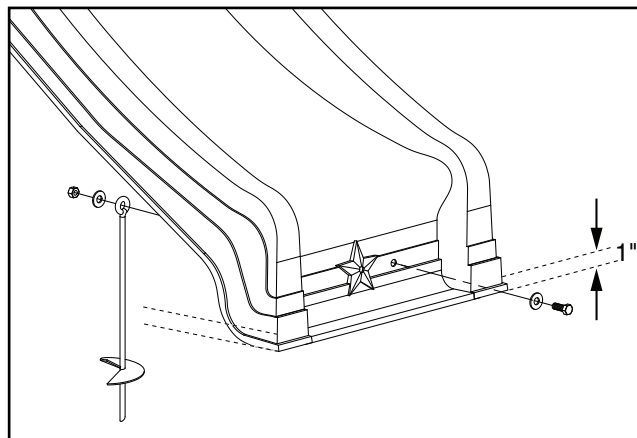
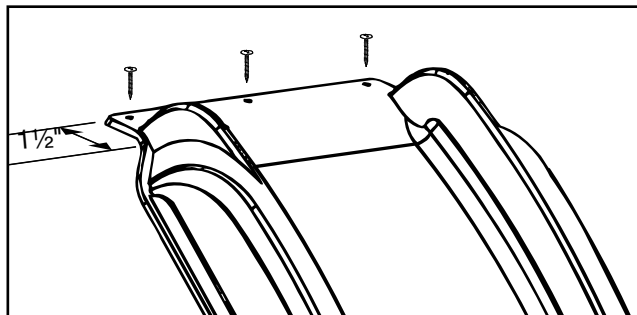
## Scoop Wave Slide - PS 8814

## Giant Scoop Wave Slide - PS 8816

1. Align Slide at right angle (90°) to 48" play deck. Lip of Slide should rest on the play deck 1½". Using the Slide as a template, mark play deck through the three holes in the Slide. Drill three 1/8" holes at marked location.
2. Attach Slide temporarily to play deck with three #14 x 1¼" pan head screws provided.
3. Prepare level area where Slide touches ground that is 1" below surrounding grade.
4. Locate and mark the ground on the back side, on either side of the star. Remove Slide and screw Playset Anchor into the ground (a long screwdriver will help). Screw the anchor deep enough so that the loop at the top of the anchor will be flat against the back surface of Slide when the Slide is in the final position.
5. Reinstall Slide permanently, attaching it to play deck using #14 x 1¼" pan head screws provided.
6. Use the Playset Anchor as a drill guide and drill a 3/8" hole completely through the Slide. Attach slide to anchor with one 3/8" x 1" hex bolt, two 3/8" washers and one 3/8" lock nut provided in the anchor kit.
7. Fill in around bottom of Slide to make surface level to surrounding grade.

**Caution:** Failure to anchor the Slide properly could cause serious injury from children lifting the slide.

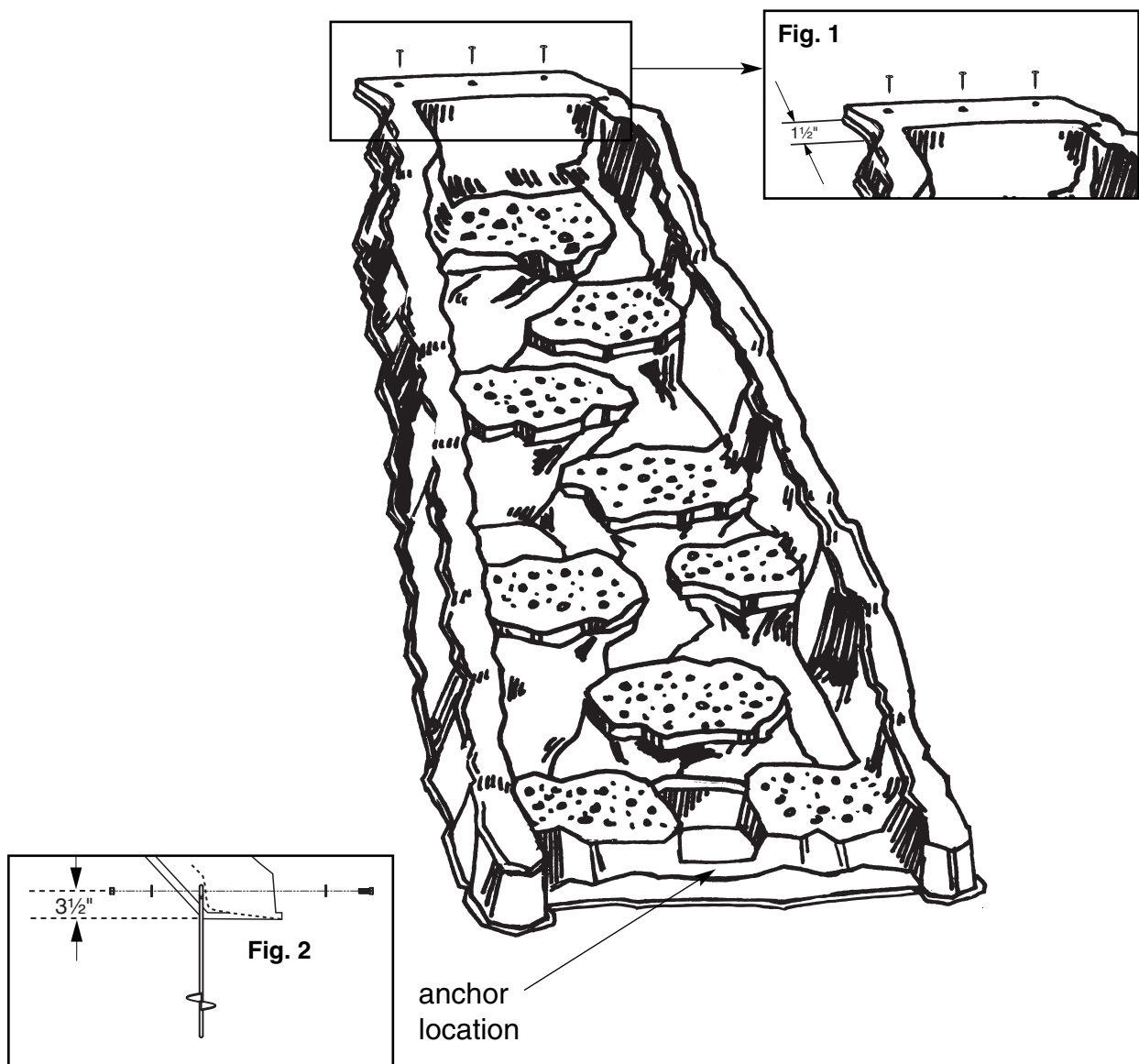
**Caution:** Do not install this slide over concrete, asphalt, packed earth, or any other hard surface. A fall onto a hard surface can result in serious injury to the equipment user.



# CLIMBING WALL – Assembly Instructions

1. Align top of Climbing Wall at right angle (90°). Lip of climbing wall should rest on the play deck 1½". Using the Climbing Wall as a template, mark play deck through the three holes in the climbing wall. Drill three ⅛" holes at marked locations. (Fig. 1)
2. Attach Climbing Wall temporarily to play deck with three #14 x 1¼" pan head screws provided.
3. Prepare level area where Climbing Wall touches ground.
4. Locate and mark the ground on the back side and in center of Climbing Wall. Remove Climbing Wall and screw Playset Anchor into the ground (a long screwdriver will help). Screw the anchor deep enough so that the center of the loop at the top of the anchor will be approximately 3½" off ground when wall is in the final position.
5. Reinstall Climbing Wall permanently, attaching it to play deck using #14 x 1¼" pan head screws provided.
6. Use the anchor as a drill guide and drill a ⅜" hole completely through the Climbing Wall. Attach Climbing Wall to anchor with one ⅜" x 1¼" hex bolt, two ⅜" washers and one ⅜" lock nut provided in the anchor kit. (Fig. 2)

**Warning:** Failure to anchor the Climbing Wall properly could cause serious injury from children lifting the Unit.



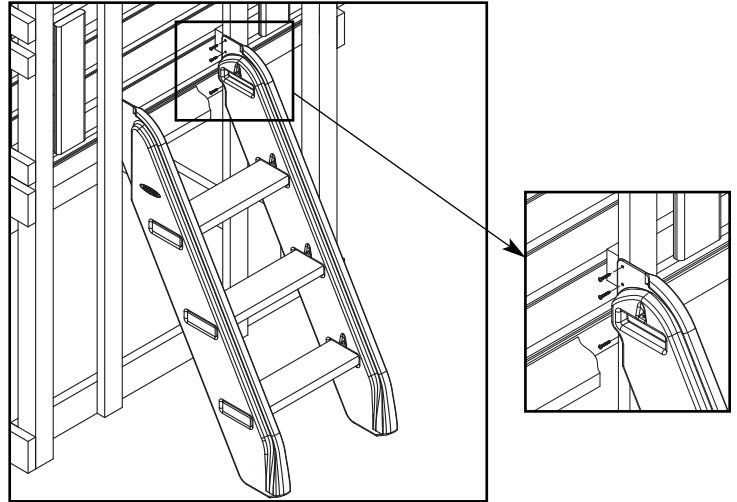


## CLIMBING STEPS – Assembly Instructions

Install the Climbing Steps Assembly to your tower:  
Position the Climbing Steps Assembly into the 21½" (Bronze) or 16" (Gold) opening of your play deck so that the top surface of the top step is flush with the top surface of the play deck. Push side rails of Climbing Step Assembly forward until they contact the play deck.

**Note:** *The steps must be positioned as specified, otherwise a head entrapment or tripping hazard could exist.*

Secure the Climbing Step Assembly to the play deck using three #14 x 1¼" pan head screws on each side as shown.

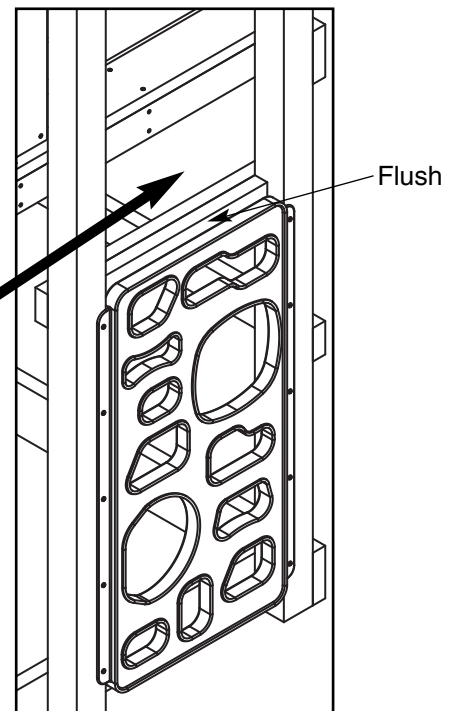


## VERTICAL CLIMBER – Assembly Instructions

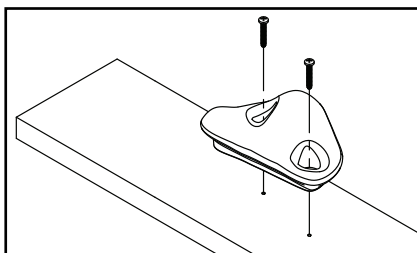
### **GOLD OPTION**

1. Position Vertical Climber so that the top is 15" below the 60" deck, (flush with the top of the board as shown).
2. Drill ⅛" holes 1" deep into the board.
3. Attach with five #14 x 1¼" pan head screws (provided) on each side.

**Warning**  
*Gap must be greater than 9" or a head entrapment may exist.*



## CLIMBING ROCKS – Assembly Instructions



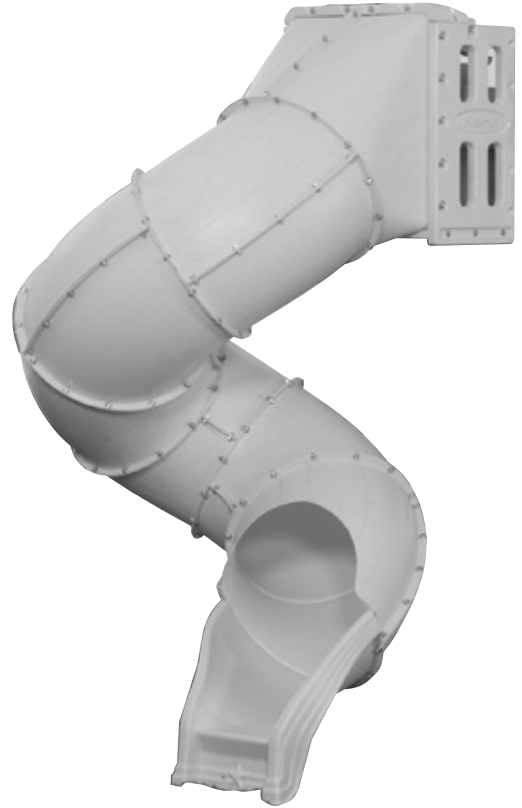
1. Position rocks at desired location.
2. Mark pilot holes.
3. Drill ⅛" diameter holes 1" deep.
4. Secure with two #14 x 1¼" pan head screws provided.

**USE THE INSTALLATION INSTRUCTIONS AND MOUNTING HARDWARE WHICH ARE SUPPLIED WITH THE FOLLOWING COMPONENTS**

**AIR RIDER  
(PS 7958)**



**SPIRAL TUBE SLIDE  
(PS 8820)**



**COMMERCIAL GRADE  
TRAPEZE BAR  
(PS 7538)**



**SPEAK & SPY  
MEGASCOPE  
(PS 7838)**



**COMPONENTS - Mounting Instructions**

**SWING SEAT • GYM RINGS**

1. Attach coated ends of chains onto play component using Quick-Link Connectors provided. Tighten securely with an adjustable wrench.
2. Hook uncoated ends of chain onto Swing Hangers provided.
3. Customize the height of your swing or gym rings anywhere in the Adjustment Zone, to fit your child.

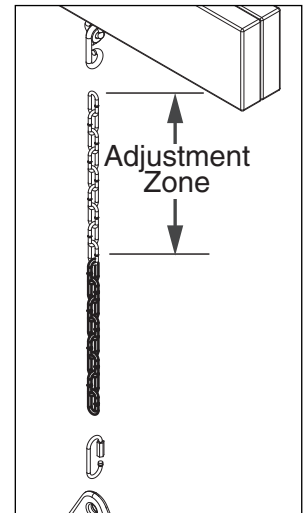
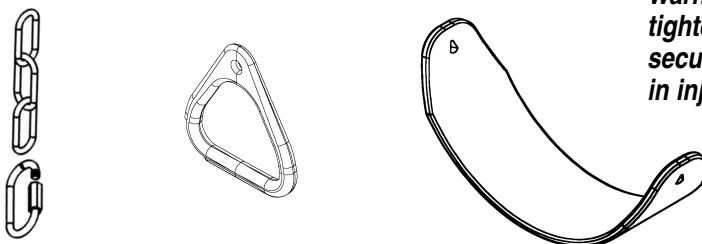
**Swing Chain Spacing:**

10" minimum spacing is required from the closest point of all other rides or stationary objects.

**Gym Ring Chain Spacing:**

11½" minimum spacing is required from the closest point of all other rides or stationary objects.

**Warning: Failure to tighten Quick Links securely could result in injury.**



## COMMERCIAL GRADE TRAPEZE BAR

1. Hook uncoated ends of chain onto Commercial Grade Swing Hangers using Quick-Link Connectors included with PS 7576 (purchased separately). Tighten securely with an adjustable wrench.

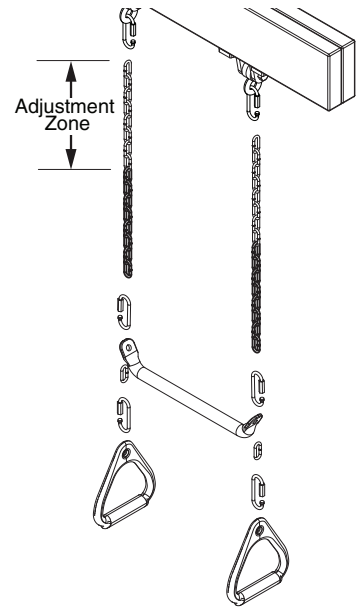
2. Using Quick-Link Connectors, attach the Trapeze Bar and one-link chains onto coated ends of Gym Ring chains.

NOTE: The one-link chain must hang under the Trapeze Bar. Tighten securely with an adjustable wrench.

3. Using Quick-Link Connectors, attach Gym Rings to one-link chains. Tighten securely with an adjustable wrench.

4. Customize the height of your Gym Ring/Trapeze Bar Combo, anywhere in the *Adjustment Zone*, to fit your child.

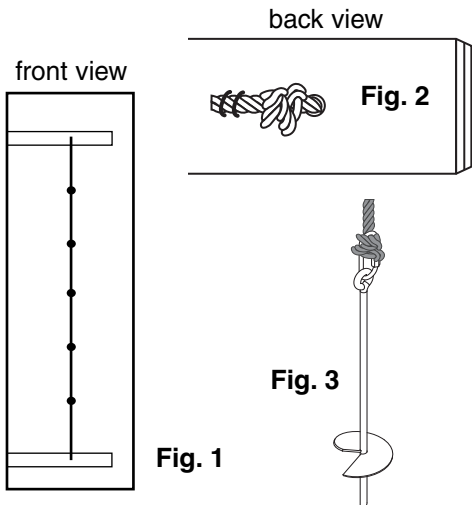
**Warning:** *Failure to Tighten Quick-Link Connectors securely could result in injury.*



## CLIMBING ROPE

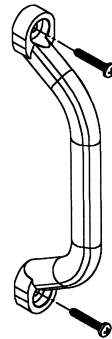
1. Tie five knots, equally spaced, for climbing grips. (Fig. 1)
2. Insert rope through top hole and tie a knot with 4" remaining.
3. Insert opposite end through bottom hole, pull tight and tie a knot while keeping rope snug.
4. Secure both ends with staples provided (2 each end). (Fig. 2)

**Note:** If you do not have a bottom board, rope must be anchored to ground, using one Playset Anchor PS 7690. Tie rope to Quick-Link Connector and place through top of anchor. Tighten securely with an adjustable wrench. (Fig. 3)



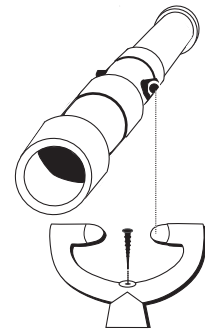
## PLAY HANDLES

1. Position Play Handle at desired location.
2. Mark pilot holes.
3. Drill  $\frac{1}{8}$ " holes 1" deep.
4. Fasten with #14 x  $1\frac{1}{4}$ " pan head screws provided.



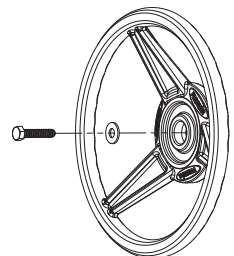
## DISCOVERY TELESCOPE

1. Determine desired location for pivot.
2. Drill a  $\frac{1}{8}$ " diameter hole 1" deep.
3. Fasten pivot with #8 x  $2\frac{1}{2}$ " deck screw provided.
4. Snap Discovery Telescope onto pivot.



## STEERING WHEEL

1. Place Steering Wheel at desired location.
2. Mark pilot hole.
3. Drill  $\frac{1}{4}$ " dia. hole 1" deep.
4. Secure  $\frac{3}{8}$ " x 2" lag screw and washer through center of steering wheel into hole with socket wrench and  $\frac{9}{16}$ " socket.
5. Tighten screw enough to make wheel snug to wood, but still allowing it to turn.





*Thank You for choosing PlayStar. Because it is our intention to make this a positive family experience, we have taken great care in preparing this product. Should you have any questions, or if we can assist you in any way, please call our friendly Customer Service Department for immediate action.*

Do not return to the store.

**Please call us Toll Free at 1-888-PLAYSTAR**  
(752-9782)

Monday through Friday, 8:00 A.M. to 5:00 P.M. C.S.T.

Ask for Customer Service.

**We Will Gladly Help!**



PlayStar, Incorporated, Janesville, WI 53547

© 2010, PlayStar, Inc. Reproduction of this document in part or whole is prohibited without the permission of PlayStar, Inc.

Protected by one or more of the following United States or Foreign Patents: US D418,189; US D409,708; US D424,154; US D428,637; US 6,402,663; US D422,332; US D410,059; US 6,068,557; US 6,302,801; US 6,482,095; US 6,039,654; US D410,060; US D424,649; US 6,361,445; CA 2,304,345; US 6,540,645; US 6,709,365; US 6,942,600; US D513,779; US 6,991,550; CA D109,228; CA D109,224; CA D109,225; CA 2,304,113; US 6,629,907; US D517,636; US D518,530; US D520,590; US 520,591; US D534,613; US 7,186,183; US 7,189,034; US 7,253,951; US D548,760; US 7,304,810; CA D109,227; CA D109,226; CA D112,355; CA D113,437; CA D113,442; CA D114,067; CA D114,068; CA 2,304,896; CA D119,674; US D573,222; US 7,419,437; CA 2,304,068; CA 2,488,576; US D580,507; US D585,570; CA 2,490,923; CA 2,304,341; US 7,594,875; CA 2,304,043; CA 2,529,276; CA 2,633,628; CA 2,633,056; US 7,594,875; CA 2,498,701