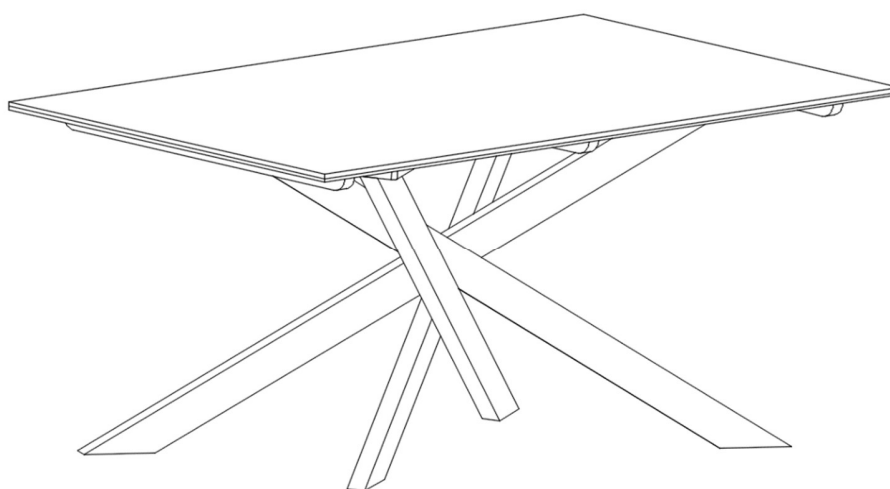


# ASSEMBLY INSTRUCTION

---

## CRISS CROSS DINING TABLE



Questions, problems, missing parts? Before returning to the store,  
call Home Decorators Collection Customer Service.  
8 a.m. – 7 p.m., EST, Monday – Friday, 9 a.m. – 6 p.m., EST, Saturday

1-800-998-7021

[HOMEDEPOT.COM/HOMEDECORATORS](http://HOMEDEPOT.COM/HOMEDECORATORS)

---

**THANK YOU**

*We appreciate the trust and confidence you have placed in Home Decorators Collection through the purchase of this CRISS CROSS DINING TABLE. We strive to continually create quality products designed to enhance your home. Visit us online to see our full line of products available for your home improvement needs. Thank you for choosing Home Decorators Collection!*

# Table of Contents

Table of Contents.....	2	Tools Required .....	3
Safety Information .....	2	Hardware Included.....	3
Warranty .....	2	Package Contents .....	4
3 Year Warranty .....	2	<b>Assembly</b> .....	<b>5</b>
What is Covered .....	2	<b>Maintenance</b> .....	<b>8</b>
What is Not Covered .....	2	<b>Care and Cleaning</b> .....	<b>8</b>
Pre-assembly .....	3	<b>Troubleshooting</b> .....	<b>8</b>
Planning Assembly.....	3		

# Safety Information



## DANGER

- Keep small parts away from children during assembly.
- Read and follow instructions carefully.



## WARNING

- Read these instructions carefully and keep in a safe place.
- TO GUARANTEE THE SAFE USE OF THIS PRODUCT, FOLLOW THE WARNINGS, GUIDELINES AND RECOMMENDATIONS IN THIS MANUAL.
- Adult assembly required.
- Small parts may present choking hazard prior to assembly.
- Do not stand, step or climb on unit.



## CAUTION

- Do not use power tools to assemble your furniture. Power tools may strip or damage parts/product.
- Do not overtighten connectors (screws, bolts, etc.). Overtightening can lead to product damage.
- Be sure to check all packing materials carefully for small parts that may have come loose inside the carton during shipment. If parts are missing, contact THE HOME DEPOT to obtain any missing parts.
- DO NOT USE SUBSTITUTE PARTS.
- This product should only be used on a flat, level surface.
- Assembly of this table requires two adults. Assembly by a single person alone may lead to injury.

# Warranty

## 3 YEAR WARRANTY

### WHAT IS COVERED

We guarantee this product to be free of manufacturing defects to the original purchaser for three years.

### WHAT IS NOT COVERED

This warranty does not cover commercial use, acts of nature, and abusive use.

# Pre-assembly

## PLANNING ASSEMBLY

Ensure assembly is being done on a flat floor or surface. Keep children and pets away from the build area. Make sure that the area is large enough to unpack, sort and assemble the unit.

## TOOLS REQUIRED



Safety goggles

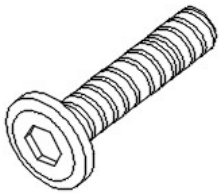


Level

## HARDWARE INCLUDED



NOTE: Hardware not shown to actual size.



AA



BB

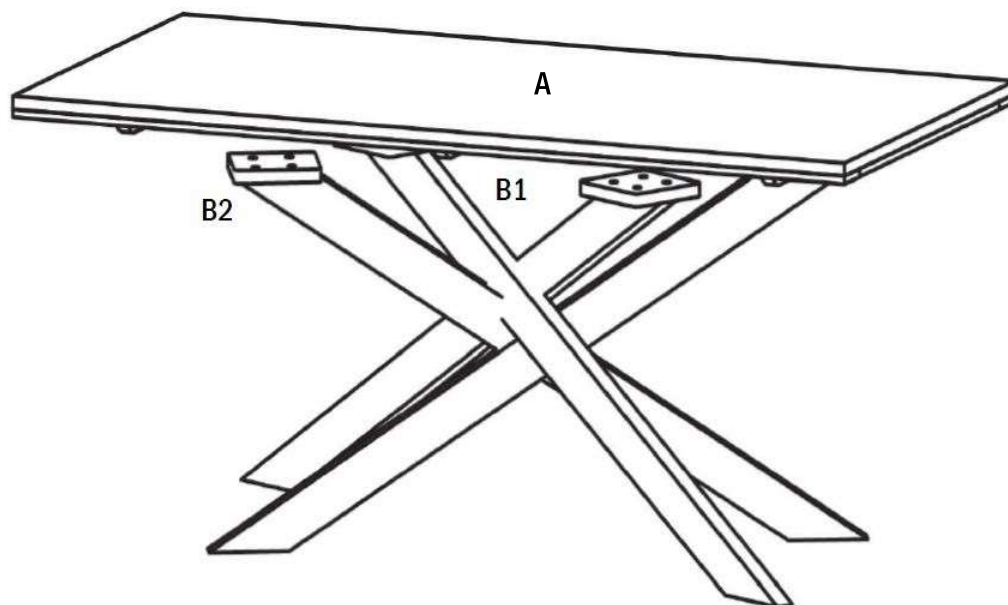


CC

Part	Description	Quantity
AA	M8 Allen bolt	16
BB	Washer	16
CC	Allen key	01

## Pre-assembly (continued)

### PACKAGE CONTENTS



Part	Description	Quantity
A	Table top	01
B1	Leg	01
B2	Leg	01

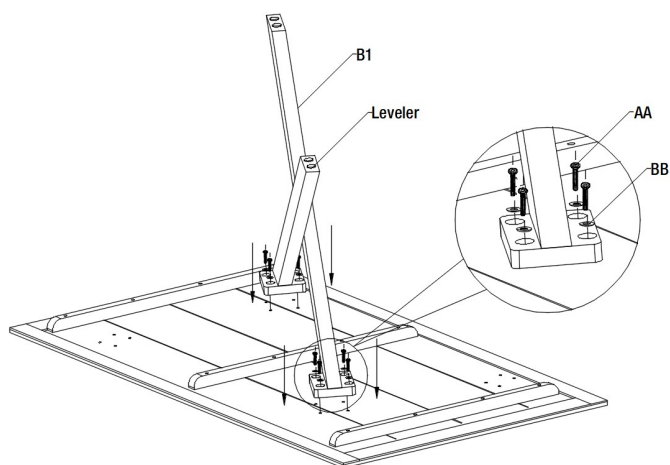
# Assembly

## 1 Flip the dining table top

- Flip the dining table top (A) and place the first leg (B1) aligned with its designated holes.

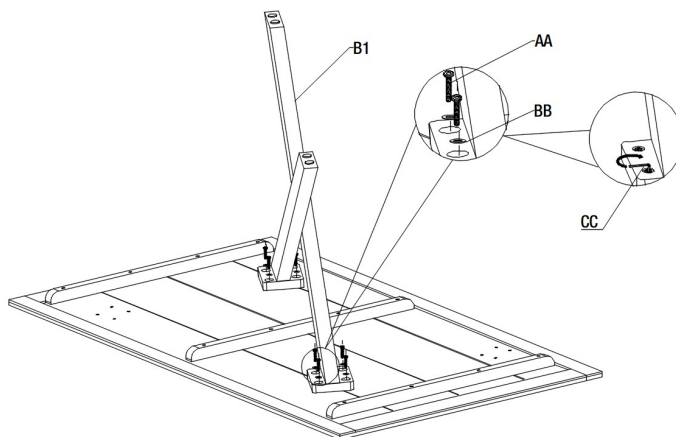


**NOTE:** Each leg is numbered. Please match according to respective markings.



## 2 Tighten the first leg

- Insert the Allen bolt (AA) with washer (BB) in the holes designated for leg (B1).
- Tighten the Allen bolt (AA) with the help of Allen key (CC).



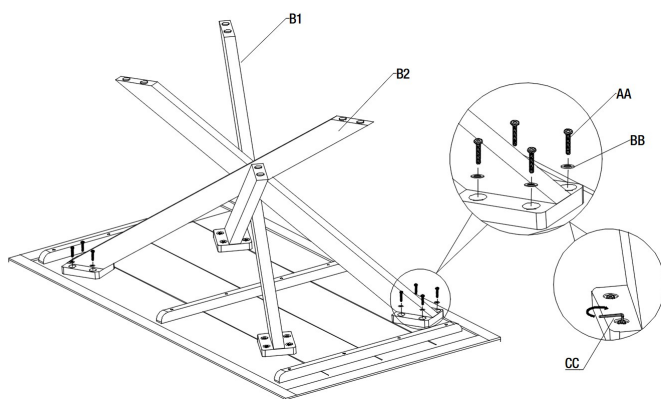
## Assembly (continued)

### 3 Place and align the second leg with its holes

- Place the second leg (B2) and align it to its designated holes.

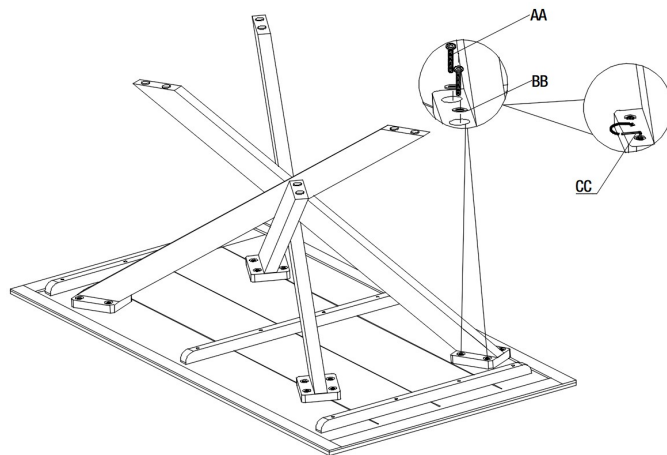


**NOTE:** Each leg is numbered. Please match according to respective markings.



### 4 Tighten the second leg

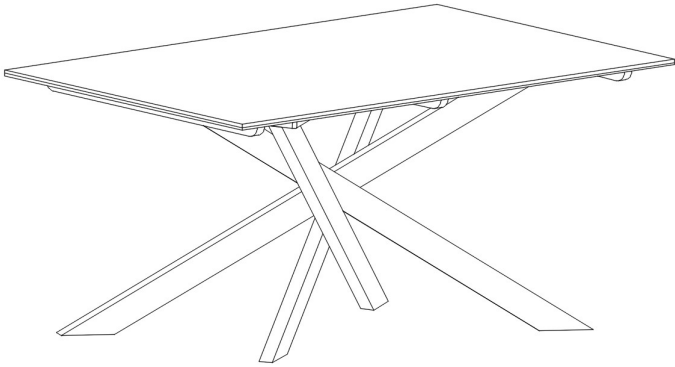
- Insert the Allen bolt (AA) with washer (BB) in the holes designated for leg (B2).
- Tighten the Allen bolt (AA) with the help of Allen key (CC).



## Assembly (continued)

### 5 Rotate the table and set it upright

- Once the legs (B1 & B2) are both tightened, rotate the dining table and set it upright.



## Maintenance

- Keep the product away from direct heat and sunlight.
- Prolonged exposure to heat sources may cause scorching, or even cause color to fade.
- Periodically (every 90 days), make sure that screws are fully tightened.

## Care and Cleaning

- Vacuum your product regularly. Small dust particles are very abrasive and can wear furniture prematurely.
- Never use harsh chemicals or solvents on your product as this may damage the surface.
- Marks and stains from pens, crayons and ink markers are difficult to remove. In the event that your product becomes permanently stained, we recommend that you consult a professional.

## Troubleshooting

### CRISS CROSS DINING TABLE

Problem	Procedure	Action
The dining table is not level.	Use the levelers provided in the legs to level the dining table.	Turn the levelers clockwise or counterclockwise to level the dining table.



**HOME  
DECORATORS  
COLLECTION®**

**Questions, problems, missing parts?  
Before returning to the store, call Home Decorators Collection Customer Service.  
8 a.m. – 7 p.m., EST, Monday – Friday, 9 a.m. – 6 p.m., EST, Saturday**

**1-800-998-7021**

**[HOMEDEPOT.COM/HOMEDECORATORS](https://www.homedepot.com/homedecorators)**

**Retain this manual for future use.**