



**SPECIFICATIONS**  
**ESDQ24**  
**RANGE HOODS**

	<b>270 CFM/4.0 Sones (Vertical) @ 0.10" S.P.</b>
	<b>150 CFM/1.5 Sones (Vertical) @ 0.10" S.P.</b>
	<b>270 CFM/4.0 Sones (Horizontal) @ 0.10" SP.</b>
	<b>150 CFM/1.5 Sones (Horizontal) @ 0.10" SP.</b>

**• Dimensions**

Overall bottom projection - 19 1/2"  
Height - 7 1/2"  
Width - 24"

**• Hood Body**

Stainless Steel: 24 gauge, grade 430 stainless steel.  
Painted: 23 gauge cold rolled commercial grade (CRCQ) steel, auto welded, coated with a baked enamel finish.

**• Motor**

2 speed, thermally protected, permanently lubricated motor. Rated 120 volts, 60 hz. with two electronically balanced blower wheels

**• Lighting**

Includes 8 Watt GU24 base LED lamp (included)

**• Ducting Options**

Horizontal, Vertical ducting: 3 1/4" x 10" (duct adapter and damper included).  
Ductless\*: removable front vent (charcoal filter not included)

**• Mounting**

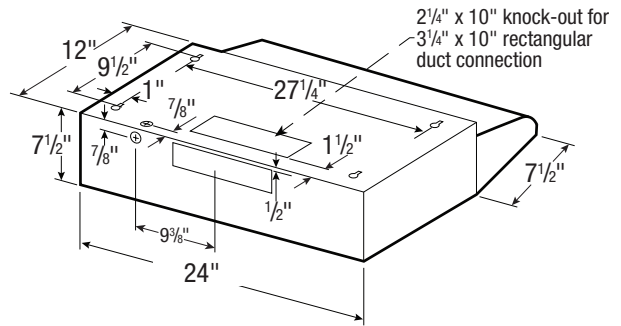
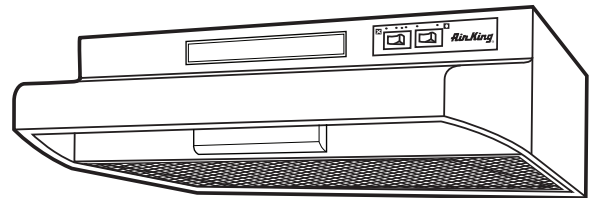
Wall mounted. Install 20" to 30" from cooking surface.

**• Filters**

Grease Filter (included): GF-07.  
Charcoal Filter (not included): CF-07.

**• Available Finishes**

Stainless Steel (ESDQ1248),  
White (ESDQ1303, ESDQ1243)  
Black (ESDQ1306, ESDQ1246)



<b>EXPANDED PERFORMANCE</b>										
<i>Air Flow - CFM</i>	<i>Static Pressure (inches of w.g.)</i>						<i>Sones @ .1 SP</i>	<i>Fan Speed RPM</i>	<i>Power Watts</i>	<i>Amps</i>
	0	0.1	0.125	0.15	0.2	0.25				
<b>Horz Ducting High Speed</b>	311	270	261	251	225	188	4.0	1653	73.0	1.0
<b>Horz Ducting Low Speed</b>	163	150	144	137	66	-	1.5	1229	41.0	1.0
<b>Vert Ducting High Speed</b>	310	270	261	251	225	192	4.0	1653	73.0	1.0
<b>Vert Ducting Low Speed</b>	159	150	148	142	114	44	1.5	1189	41.3	1.0

<b>PROJECT</b>							<b>ARCHITECT</b>			
<b>LOCATION</b>							<b>ENGINEER</b>			
<b>CONTRACTOR</b>							<b>SUBMITTED BY</b>			<b>DATE</b>
FAN NUMBER	MODEL NUMBER	CFM	IN W.C.	RPM	WATTS	AMPS	SONES	QTY	OPTIONAL EQUIPMENT & REMARKS	



**Air King:** 820 Lincoln Avenue  
West Chester, Pennsylvania 19380-4466  
Tel: (610) 692-7400 • 877-304-3785  
Fax: (610) 696-8048

**Canada:**  
Brampton, Ontario  
Tel: 905-456-2033  
Fax: (905) 456-1015

\* The ENERGY STAR Program for Residential Ventilating Fans has no provision for qualification of ductless rangehoods (recirculating not ventilating), as a result the ENERGY STAR program applies to ducted rangehoods only. Specifications subject to change without notice. Updated 2-18