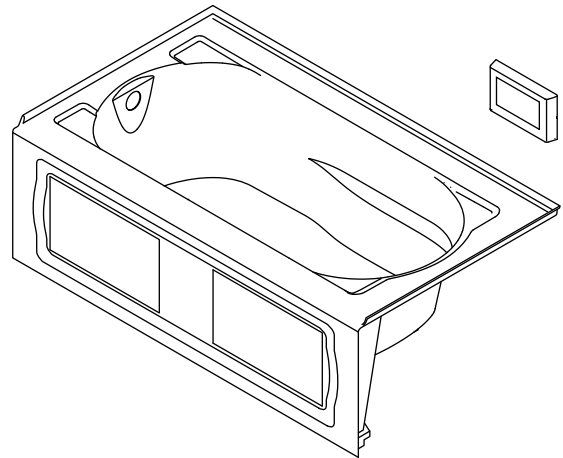


Features

- Acrylic
- VibrAcoustic technology emits sound waves and offers a surround sound experience
- Six transducers and a control amplifier with 25' (7.6 m) of wiring
- User-friendly high-resolution color touch screen in polished chrome
- Bask™ heated surface with three temperature settings
- Integral apron with removable access panel
- Integral tile flange
- Molded lumbar support and armrests for comfort
- Textured bottom surface
- Alcove installation
- Left or right drain
- 60" (1524 mm) x 32" (813 mm) x 21-1/4" (540 mm)

5' VIBRACOUSTIC® BATH WITH BASK HEATED SURFACE K-1357-VBLAW ALSO K-1357-VBRAW



Codes/Standards Applicable

Specified model meets or exceeds the following:

- CSA B45.5/IAPMO Z124
- ASTM E162
- ASTM E662
- UL 1795

Colors/Finishes

- 0: White
- CP: Polished Chrome
- BN: Brushed Nickel
- Other: Refer to Price Book for additional colors/finishes

Specified Model

Model	Description	Colors/Finishes	
K-1357-VBLAW	5' VibrAcoustic bath with Bask heated surface, left drain (shown)	<input type="checkbox"/> 0	<input type="checkbox"/> Other _____
K-1357-VBRAW	5' VibrAcoustic bath with Bask heated surface, right drain	<input type="checkbox"/> 0	<input type="checkbox"/> Other _____

Recommended Accessories

K-7161-AF	Pop-up drain – above-the-floor installation OR	<input type="checkbox"/> CP	<input type="checkbox"/> Other _____
K-7213	Cable drain with PVC tee and pipe OR	<input type="checkbox"/> CP	<input type="checkbox"/> Other _____
K-7214	Cable drain without PVC tee and pipe OR	<input type="checkbox"/> CP	<input type="checkbox"/> Other _____
K-7259	Toe-tap drain	<input type="checkbox"/> CP	<input type="checkbox"/> Other _____

1172315	Optional - VibrAcoustic interface mounting plate (non-CP finish) (Continued)	<input type="checkbox"/> BN
---------	---	-----------------------------

Product Specification

The acrylic VibrAcoustic bath shall be 60" (1524 mm) in length, 32" (813 mm) in width, and 21-1/4" (540 mm) in height. Bath shall be for alcove installation. Bath shall feature VibrAcoustic technology offering a surround sound experience. Bath shall have six transducers and a control amplifier with 25' (7.6 m) of wiring. Bath shall feature user-friendly high-resolution color touch screen in polished chrome. Bath shall feature Bask heated lumbar support with three temperature settings. Bath shall have a left or right drain. Bath shall feature an integral apron with removable access panel. Bath shall have an integral tile flange. Bath shall have molded lumbar support and armrests for comfort. Bath shall feature a textured bottom surface. Bath shall be Kohler Model K-1357-____-____.

DEVONSHIRE®

K-1491	(Continued) Optional - Bath pillow	<input type="checkbox"/> 0	<input type="checkbox"/> Other_____
K-1601	Optional - Bath footstop	<input type="checkbox"/> 0	<input type="checkbox"/> Other_____

Technical Information

Fixture: Approx. measurements for comparison only.				
Bathing well:				
Basin area, bottom	42" (1067 mm) x 20" (508 mm)			
Basin area, top	51" (1295 mm) x 24" (610 mm)			
Weight	91 lbs (41.3 kg)			
To overflow:				
Water depth	14" (356 mm)			
Capacity	60 gal (227.1 L)			
Amplifier/ control:	15 W (per channel)	120 V	50/60 Hz	-
Heater:	65 W	120 V	60 Hz	1.1 A

Required Electrical Service

Dedicated circuit required, protected with Class A Ground-Fault Circuit-Interrupter (GFCI) or Residual Current Device (RCD): 120 V, 15 A, 50/60 Hz

Installation Notes

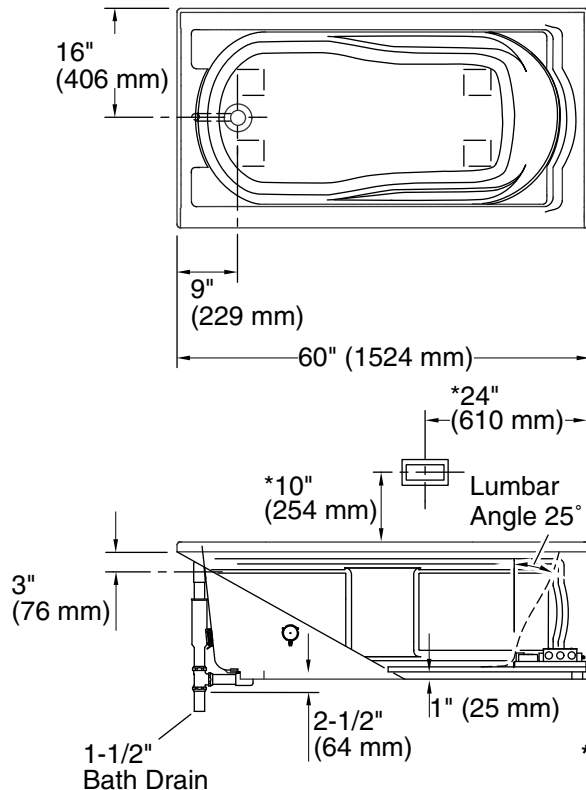
Install this product according to the installation guide. Ensure that the interface, amplifier, and transducers are functional before completing the installation.

Control amplifier fits 16" (406 mm) center studs. 25' (7.6 m) cables are included.

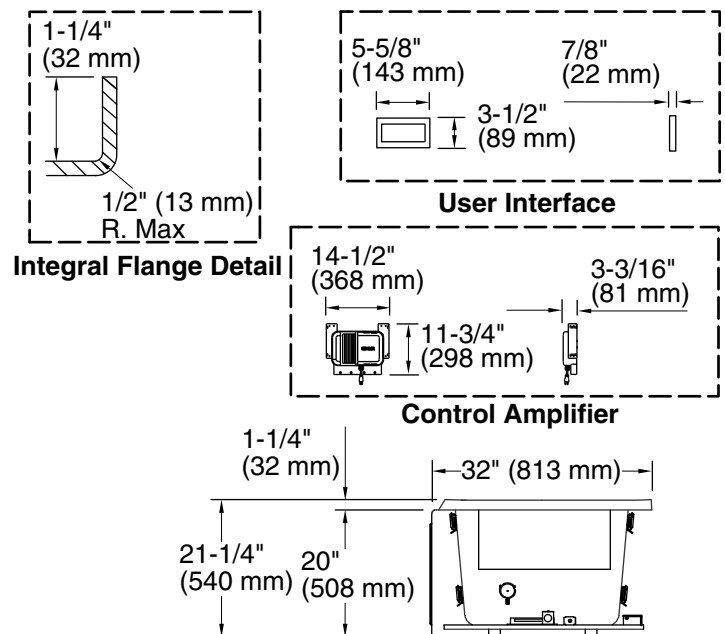
Locate the bath within 24" (610 mm) of a GFCI-protected 120 V, 15 A grounded electrical outlet. A second grounded outlet within the wall framing must be within 24" (610 mm) of the planned control amplifier. One electrical service may be used for the entire bath and related electrical components.

Floor support under bath must provide for a minimum of 41 lbs/square foot (200.2 kg/square meter) loading.

No change in measurements if connected with drain illustrated. (K-7161-AF)



***Recommended User Interface Location**



Product Diagram