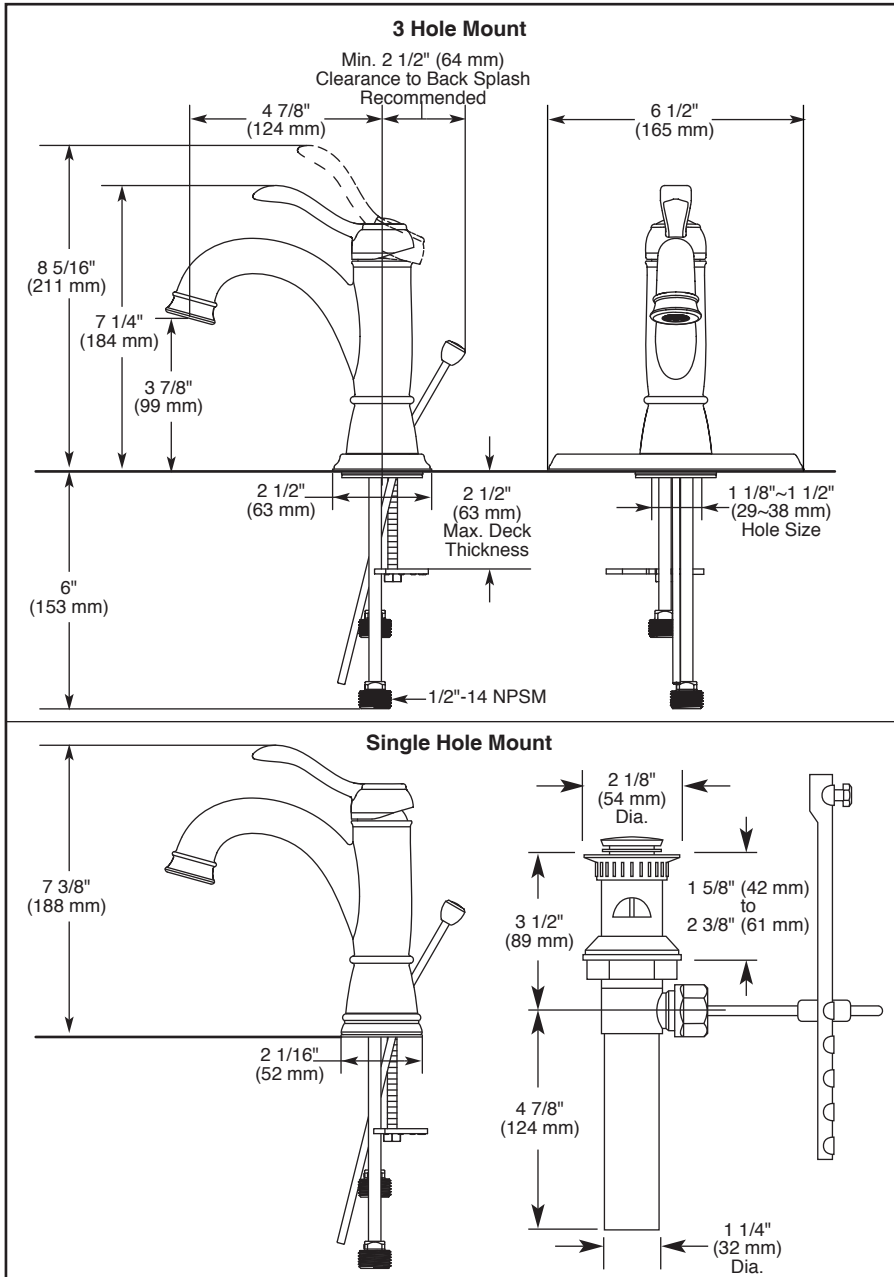


LAVATORY FAUCETS

- Single Handle Deck Mount
- 1 or 3 Hole Sink Applications

Submitted Model No.: _____

Specific Features: _____



STANDARD SPECIFICATIONS:

- Max flow rate: 1.50 GPM @ 60 PSI, 5.68 L/Min @ 414 kPa.
- Max flow rate (ECO models only): 1.20 GPM @ 60 PSI, 4.54 L/Min @ 414 kPa.
- Solid brass fabricated body.
- Single handle lavatory deck faucets for exposed mounting on 1 or 3 hole sinks.
- 4 7/8" (124 mm) long spout.
- Centermount or 4" (102 mm) centers with optional 6 1/2" (165 mm) escutcheon.
- Lever handle. Control mechanism is replaceable cartridge with ceramic plates.
- 1/2" - 14 NPSM adapters.
- Models have drain with pop-up type fitting with plated flange and stopper.

WARRANTY

- Lifetime limited warranty on parts (other than electronic parts and batteries) and finishes; or for commercial users, for 5 years from the date of purchase.
- 5 year limited warranty on electronic parts (other than batteries); or for commercial users, for 1 year from the date of purchase. No warranty is provided on batteries.



COMPLIES WITH:

- ASME A112.18.1 / CSA B125.1
- ASME A112.18.2 / CSA B125.2

Indicates compliance to
ICC/ANSI A117.1

- EPA WaterSense®

Verified compliant with 0.25% weighted average Pb content regulations.

▲ Designate Proper Finish Suffix

Delta reserves the right (1) to make changes in specifications and materials, and (2) to change or discontinue models, both without notice or obligation. Dimensions are for reference only. See current full-line price book or www.deltafaucet.com for finish options and product availability.

DSP-L-15984LF Rev. C



55 E. 111th Street, Indianapolis, Indiana 46280
350 South Edgeware Road, St. Thomas, Ontario Canada N5P 4L1
© 2016 Masco Corporation of Indiana