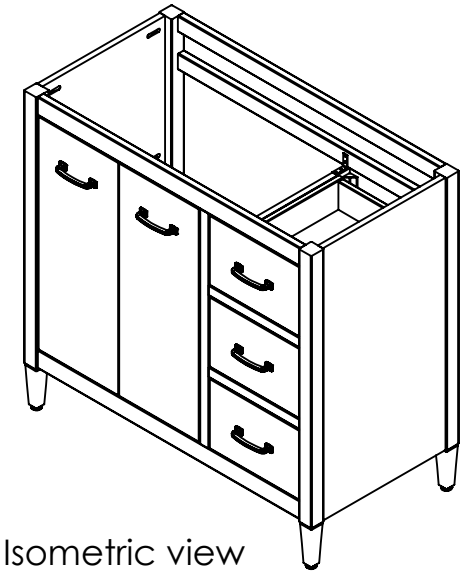
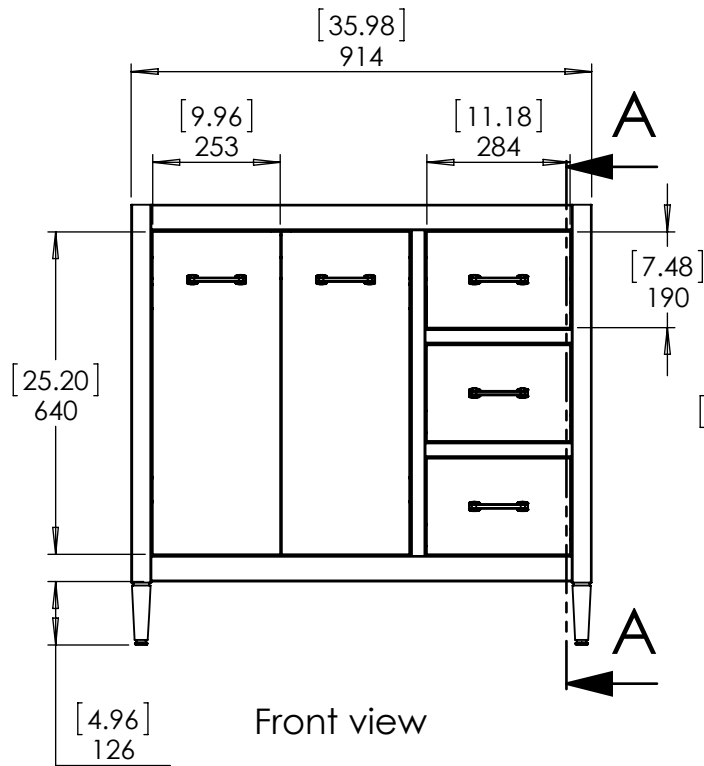


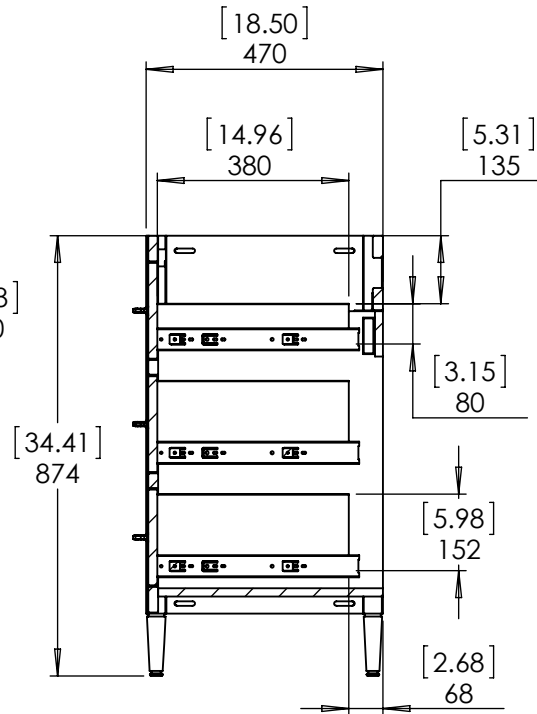
Top view



Isometric view

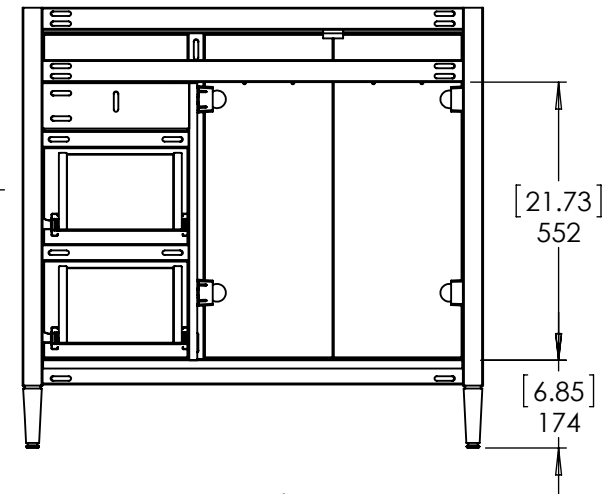


Front view



SECTION A-A

SCALE 1 : 15



Back view

ITEM:	HD2036P1O51-LY	REV	A
	HD2036P1O52-WH		

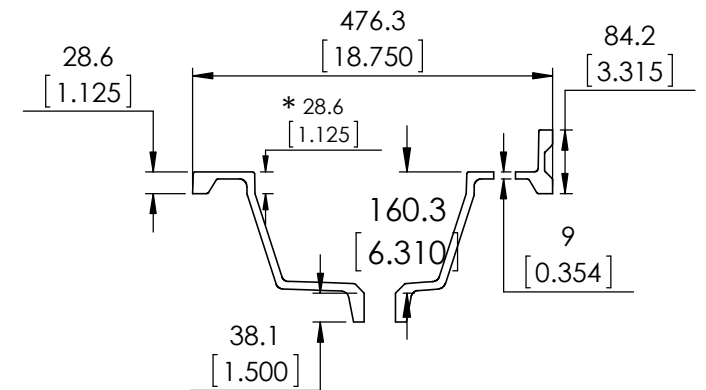
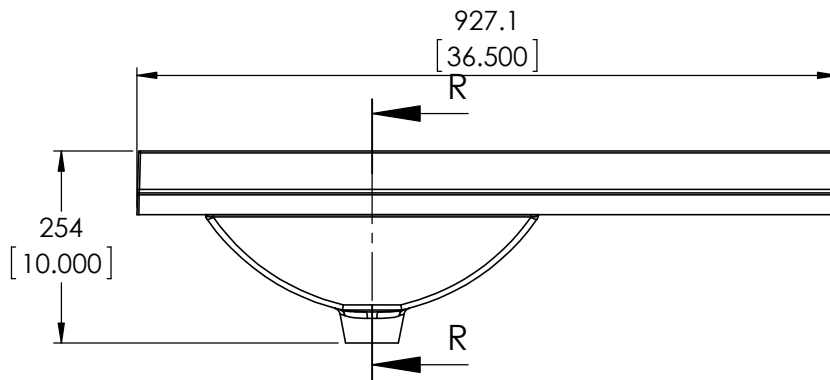
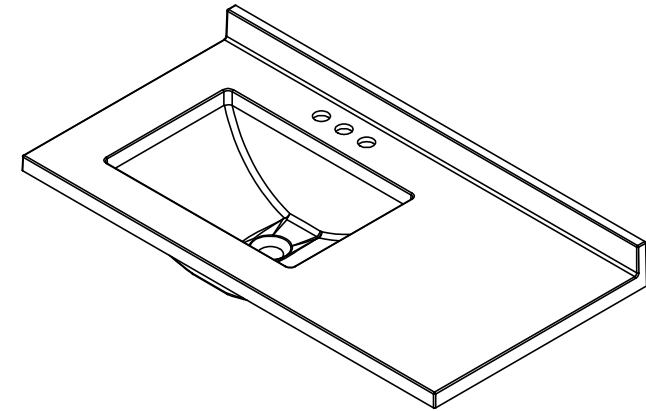
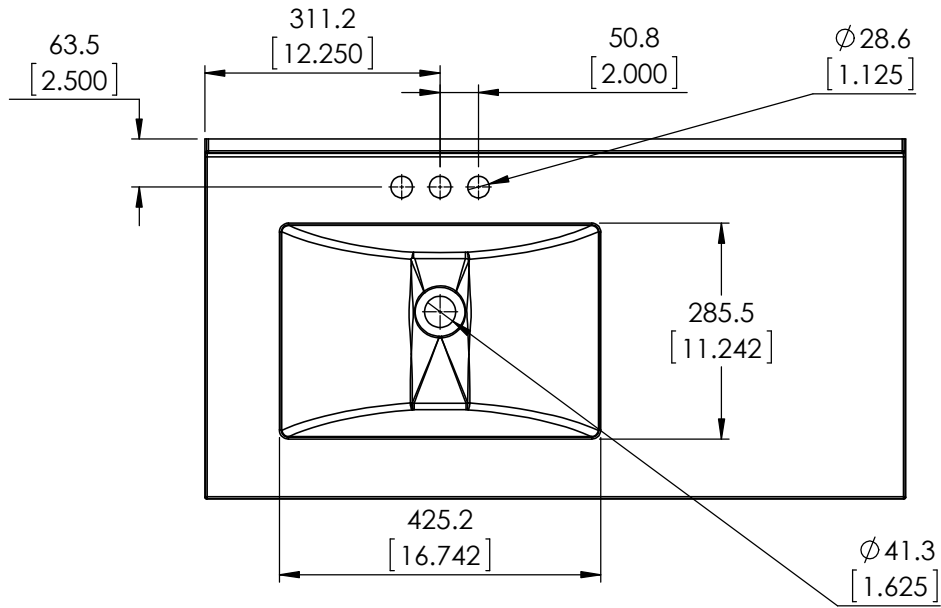
NAME:	W0225 36in
-------	------------



<b>Propiedad y Confidencialidad</b> La información contenida en este dibujo es puramente propiedad de Woodcrafters Home Products LLC. Queda prohibida cualquier reproducción parcial o total sin el permiso por escrito de Woodcrafters Home Product LLC.	DRAWING	AEP	04/02/20	MATERIAL: <b>German beech 4/4 Laminated Paper Light gray/White</b>
	REVIEW	ING	04/02/20	
	APPROVED	R&D	04/02/20	
	SCALE: 1:15	MODEL:	W0225	

ITEM TYPE	ITEM ID	ITEM DESCRIPTION	DRAWING STATUS

REV	DESCRIPTION	DATE	APPROVAL
0	RELEASED	9/25/18	E. SANDOVAL
1	Added new items	3/13/20	E. SANDOVAL




Nota: \*El grosor de la linea de particion bifono en el bowl es de 1.00" a 1.125"

PROPRIETARY AND CONFIDENTIAL		UNLESS OTHERWISE SPECIFIED		NAME		DATE	
THE INFORMATION CONTAINED IN THIS DRAWING IS THE SOLE PROPERTY OF WOODCRAFTERS. ANY REPRODUCTION IN PART OR AS A WHOLE WITHOUT THE WRITTEN PERMISSION OF WOODCRAFTERS IS PROHIBITED.		DIMENSIONS ARE IN MM. AND [INCHES]  TOLERANCES ARE + 3.175 [0.125] - 3.175 [0.125] SCALE: 1:10		DRAWN	O. RAZO	4/23/2020	
				CHECKED	E. DELGADO	5/28/2020	
				ENG APPR.	W. AMAYA	5/28/2020	
				MFG APPR.	A. CASIANO	5/28/2020	
				SIZE	DWG. NO.		SHEET 1 OF 2
				A			FG



ITEM TYPE	ITEM ID	ITEM DESCRIPTION	DRAWING STATUS
FG	ECCM3719R-WH	Vtop Rect 36.5x18.75 offset left CM White 4 in	R&D
FG	ECSS3719R-PG	Vtop Rect 2 tone 36.5x18.75 offset left SS Polar Gray 4 in	R&D
FG	ECSS3719R-AH	Vtop Rect 2 tone 36.5x18.75 offset left SS Silver Ash 4 in	R&D
FG	ECSS3719R-SN	Vtop Rect 2 tone 36.5x18.75 offset left SS Snow 4 in	R&D

REV	DESCRIPTION	DATE	APPROVAL
0	RELEASED	9/25/18	E. SANDOVAL
1	Added new items	3/13/20	E. SANDOVAL

<b>PROPRIETARY AND CONFIDENTIAL</b> THE INFORMATION CONTAINED IN THIS DRAWING IS THE SOLE PROPERTY OF WOODCRAFTERS. ANY REPRODUCTION IN PART OR AS A WHOLE WITHOUT THE WRITTEN PERMISSION OF WOODCRAFTERS IS PROHIBITED.	UNLESS OTHERWISE SPECIFIED				 SIZE DWG. NO. SHEET 2 OF 2 FG
	DIMENSIONS ARE IN MM. AND [INCHES]		DRAWN	O. RAZO 4/23/2020	
	TOLERANCES ARE + 3.175 [-.125] - 3.175 [0.125]		CHECKED	E. DELGADO 5/28/2020	
	SCALE:1:10		ENG APPR.	W. AMAYA 5/28/2020	
			MFG APPR.	A. CASIANO 5/28/2020	