



# Portrait Comfort Height 1.28 gpf Toilet with AquaPiston™ flush technology K-3826

## Features

- One-piece toilets integrate the tank and bowl into a seamless, easy-to-clean design.
- Compact elongated bowl offers added comfort while occupying the same space as a round-front bowl.
- Comfort Height® feature offers chair-height seating that makes sitting down and standing up easier for most adults.
- Glenbury™ Quiet-Close™ seat with Quick-Release™ functionality allows seat to close quietly and quickly unlatch from the toilet for easy removal and convenient cleaning.
- 2-1/8-inch glazed trapway.
- 1.28 gallons per flush (gpf).
- Includes Polished Chrome lift knob.
- Supply line not included.
- Coordinates with other products in the Portrait collection.

## Technology

- Single-flush gravity uses the force of gravity and a precision-engineered tank, bowl, and trapway to create a strong siphon during flushing.
- AquaPiston canister allows water to flow into the bowl from all sides (360 degrees), increasing the power and effectiveness of the flush.
- Flush valve's 3: 2 ratio harnesses the natural force of gravity and optimizes flush performance.
- Durable canister design has 90% less exposed seal material than a 3-inch flapper, for leak-free performance.
- Light-touch canister flush requires a lower actuation force than a flapper.

## Installation

- Standard 12-inch rough-in.

## Water Conservation & Rebates

- WaterSense® toilets meet strict EPA flushing guidelines, including using at least 20 percent less water than 1.6-gallon toilets.
- Eligible for consumer rebates in some municipalities.
- 10-3/4" x 6-3/4" (273 mm x 171 mm) water spot.

## Components

Additional included component/s: 1-pc toilet with tank valves, trip lever and seat, Aqua Piston Valves, Low Profile Bolt Caps, and Top-mount lift trip lever.



For complete listing of available colors, go to [kohler.com](http://kohler.com).



## Codes/Standards

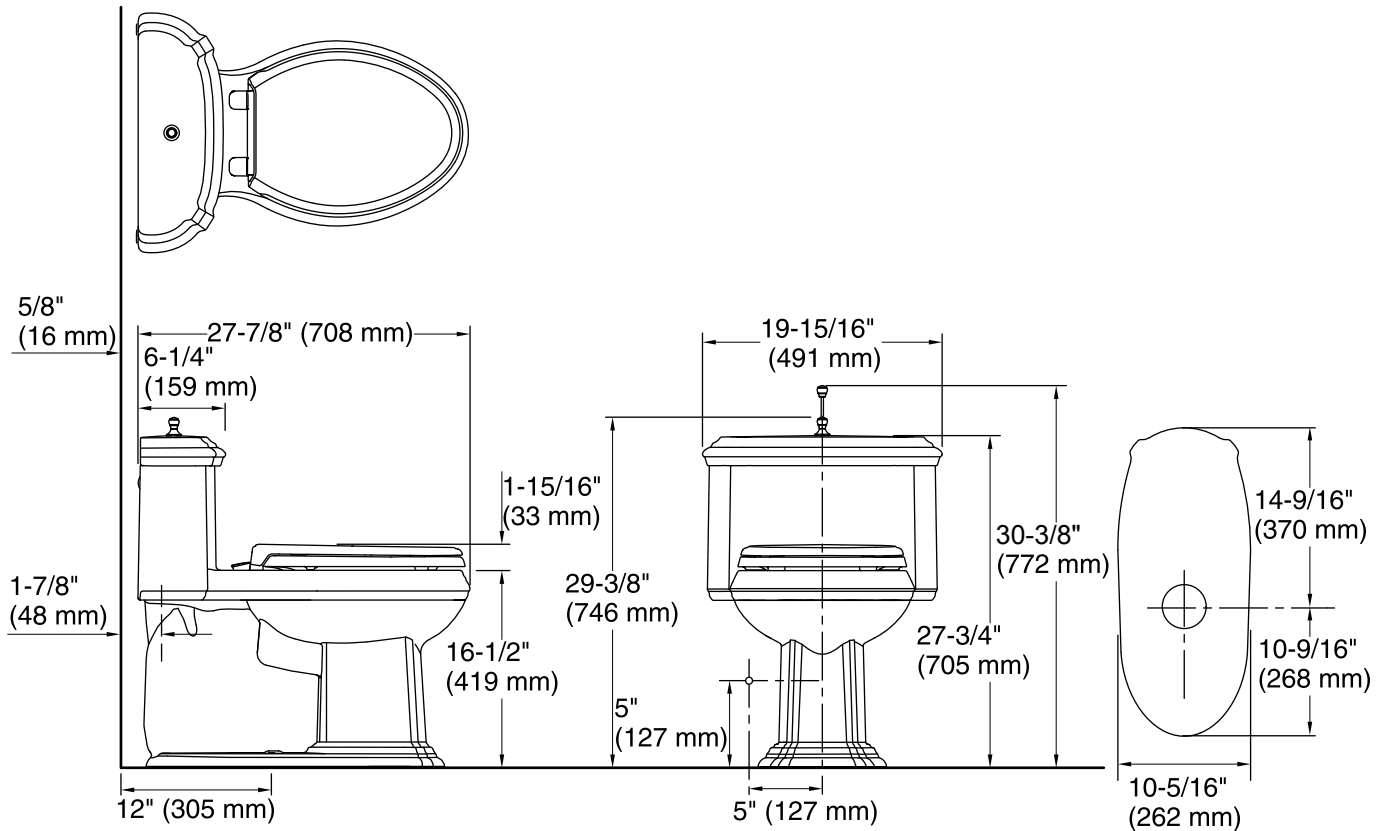
ASME A112.19.1/CSA B45.2  
DOE - Energy Policy Act 1992  
EPA WaterSense®

## KOHLER® One-Year Limited Warranty

See website for detailed warranty information.

## Product Specification

Toilet shall be 27-7/8" (708 mm) in length, 19-15/16" (491 mm) in width, and 29-3/8" (746 mm) in height. Toilet shall be made of vitreous china. Toilet shall be one-piece. Toilet shall be 1.28 gpf (4.8 lpf). Toilet shall include toilet seat and polished chrome lift knob. Toilet shall be Comfort Height®. Toilet shall be a 12" (305 mm) rough-in. Toilet shall be KOHLER Model K-3826.



## Technical Information

All measurements are nominal.

Toilet style:	One-piece
Bowl shape:	Elongated front
Seat hinge type:	Quick-Release™
Passageway:	2-1/8" (54 mm)
Flush rate - full:	1.28 gpf (4.8 lpf)
Water area:	10-3/4" x 6-3/4" (273 mm x 171 mm)
Rim to water height:	6" (152 mm)
Rough-in:	12" (305 mm)
Seat hole centers:	5-1/2" (140 mm)

## Pressure and Supply Requirements

Fixture Min (Static):	20 psi (137.9 kPa)
Fixture Min Flow:	0.5 gpm (1.9 lpm)
Building Max (Static) @ Fixture:	80 psi (551.6 kPa)
Building Min (Flowing):	20 psi (137.9 kPa)
Building Min Flow:	1 gpm (3.8 lpm)

## Installation Notes

Install this product according to the installation guide.