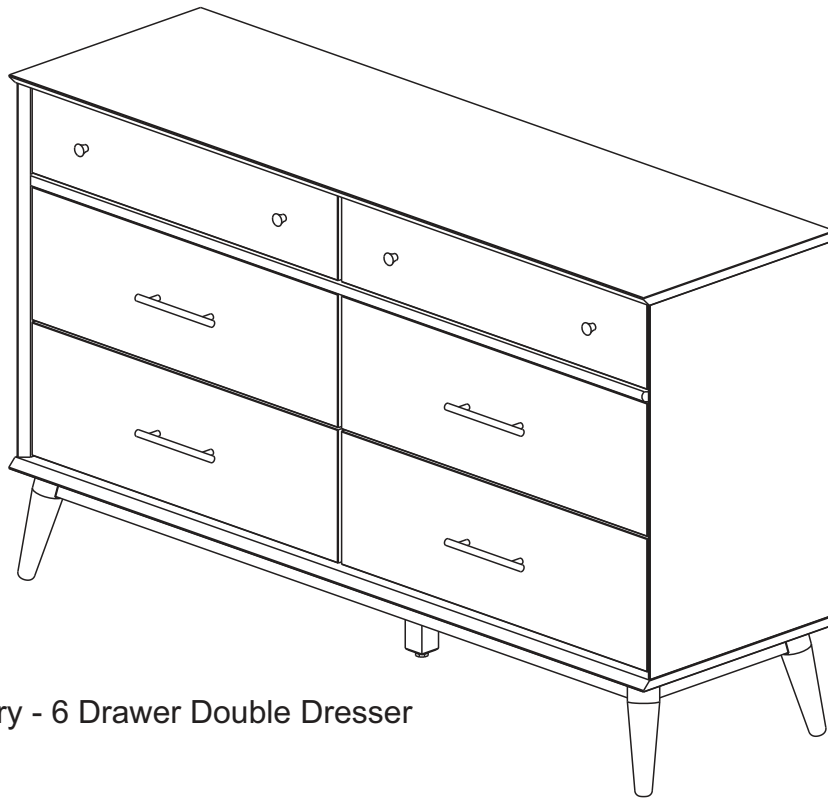
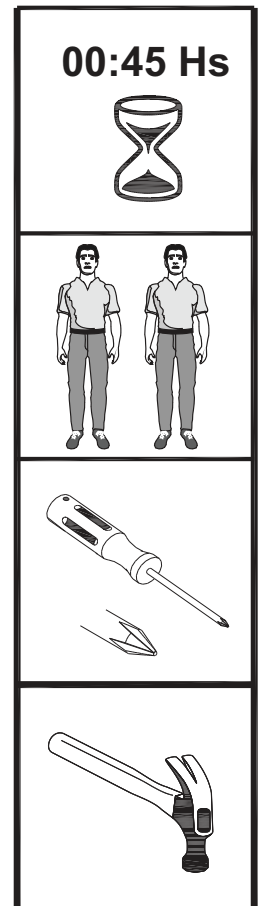


ASSEMBLY INSTRUCTIONS



Mid Century - 6 Drawer Double Dresser



HARDWARE INCLUDED



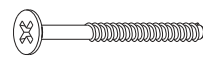
A - 8,0x30 Wood Dowel
Qty. 40



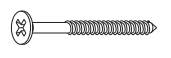
B - 4,0x30 Screw
Qty. 35



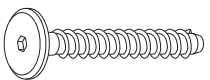
C - 4,0x14 Screw
Qty. 66



D - 4,0x45 Screw
Qty. 08



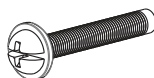
E - 3,5x30 Screw
Qty. 24



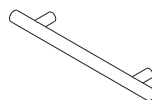
F - 7,0x70 Screw
Qty. 04



G - 7,0x50 Screw
Qty. 01



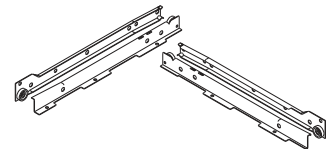
H - M4x25 Screw
Qty. 12



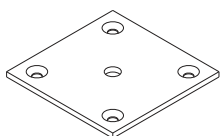
I - Knob
Qty. 04



J - Knob
Qty. 04



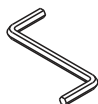
K - Slide 330mm
Qty. 06



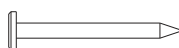
L - Foot Support
Qty. 01



M - Support
Qty. 01



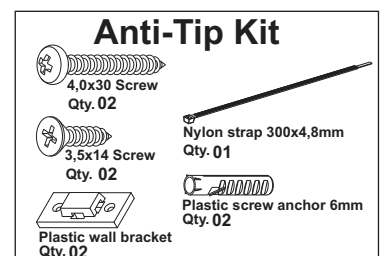
N - Z Key
Qty. 01



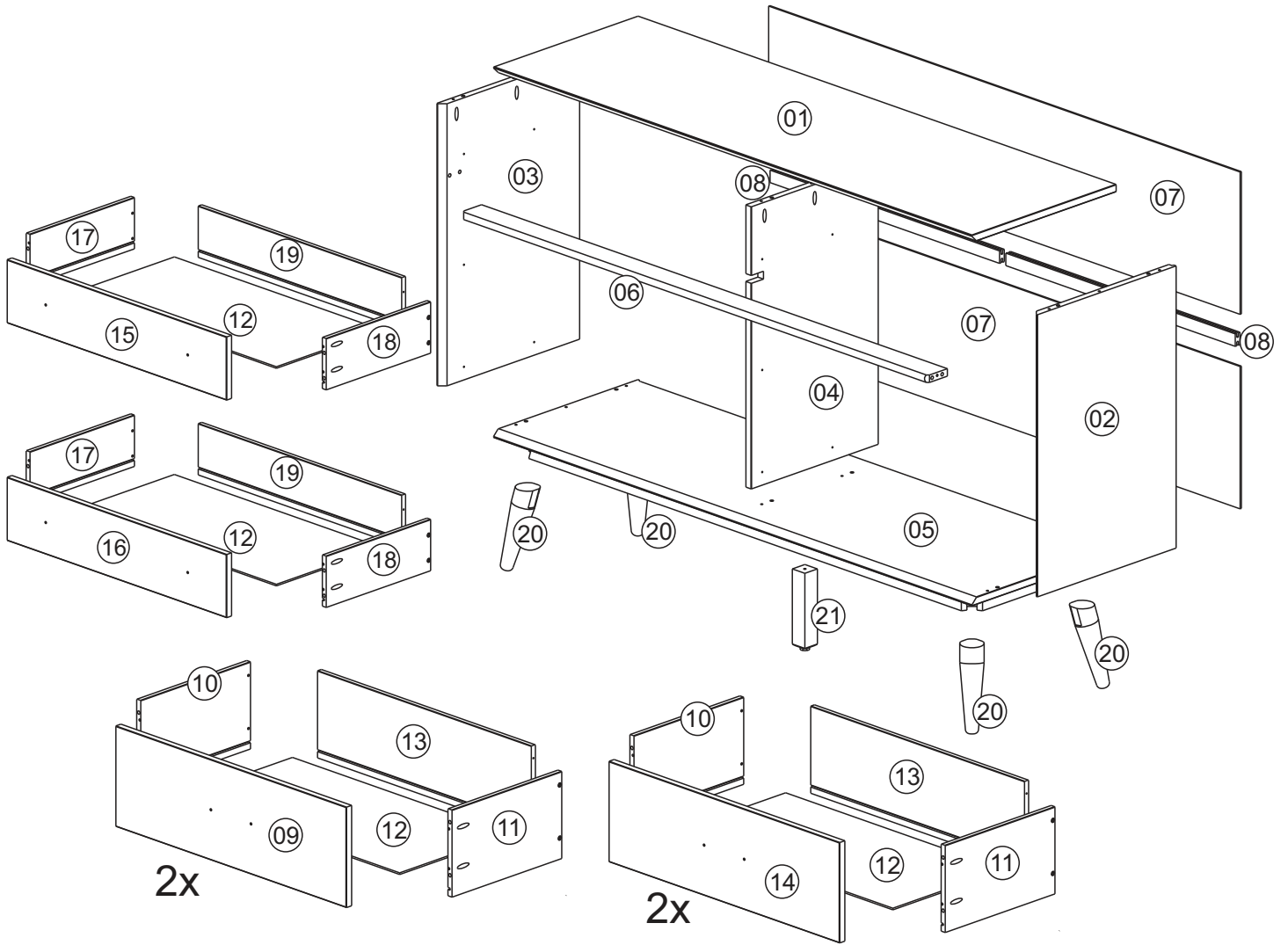
O - Nail
Qty. 36



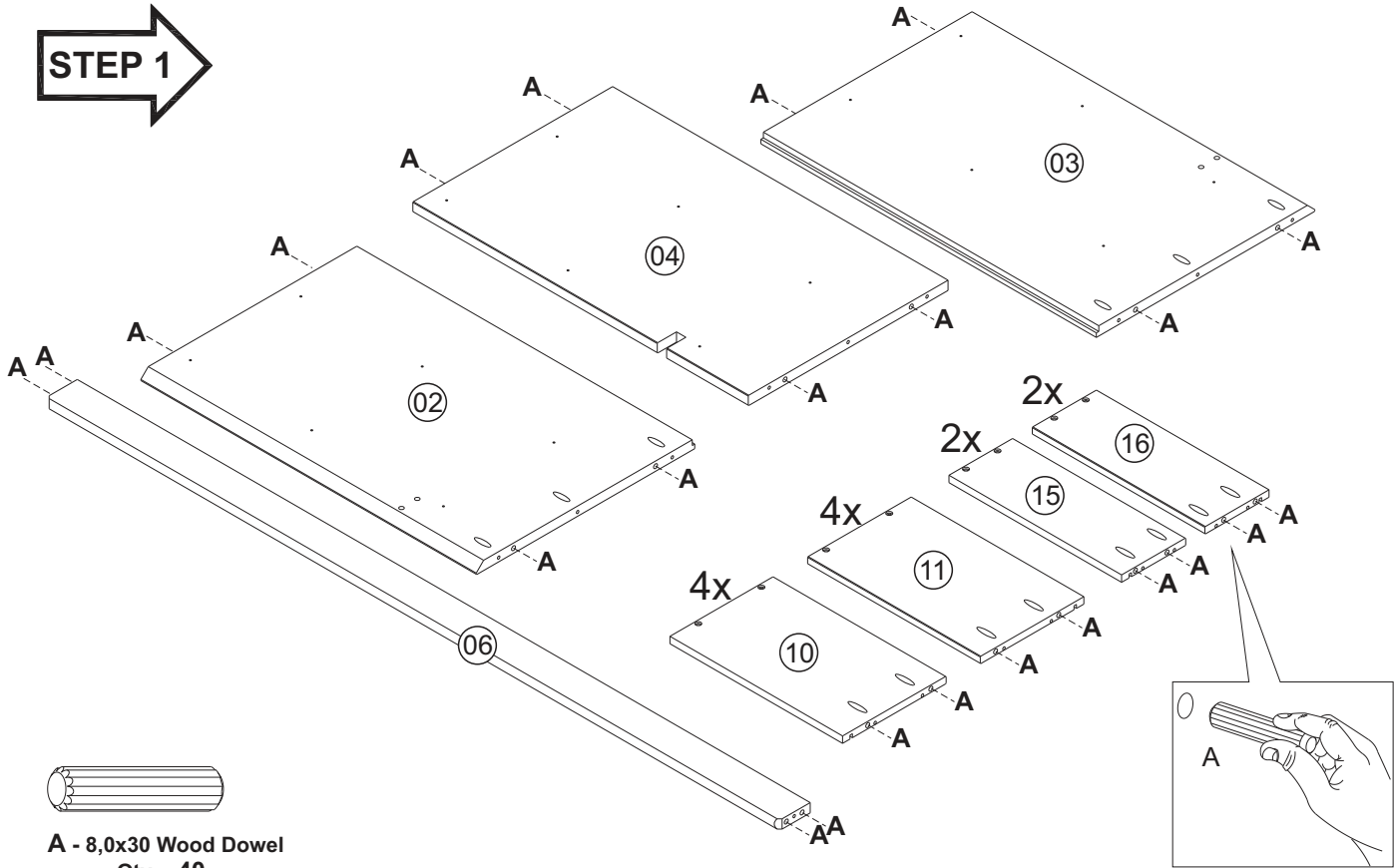
P - Nail
Qty. 24



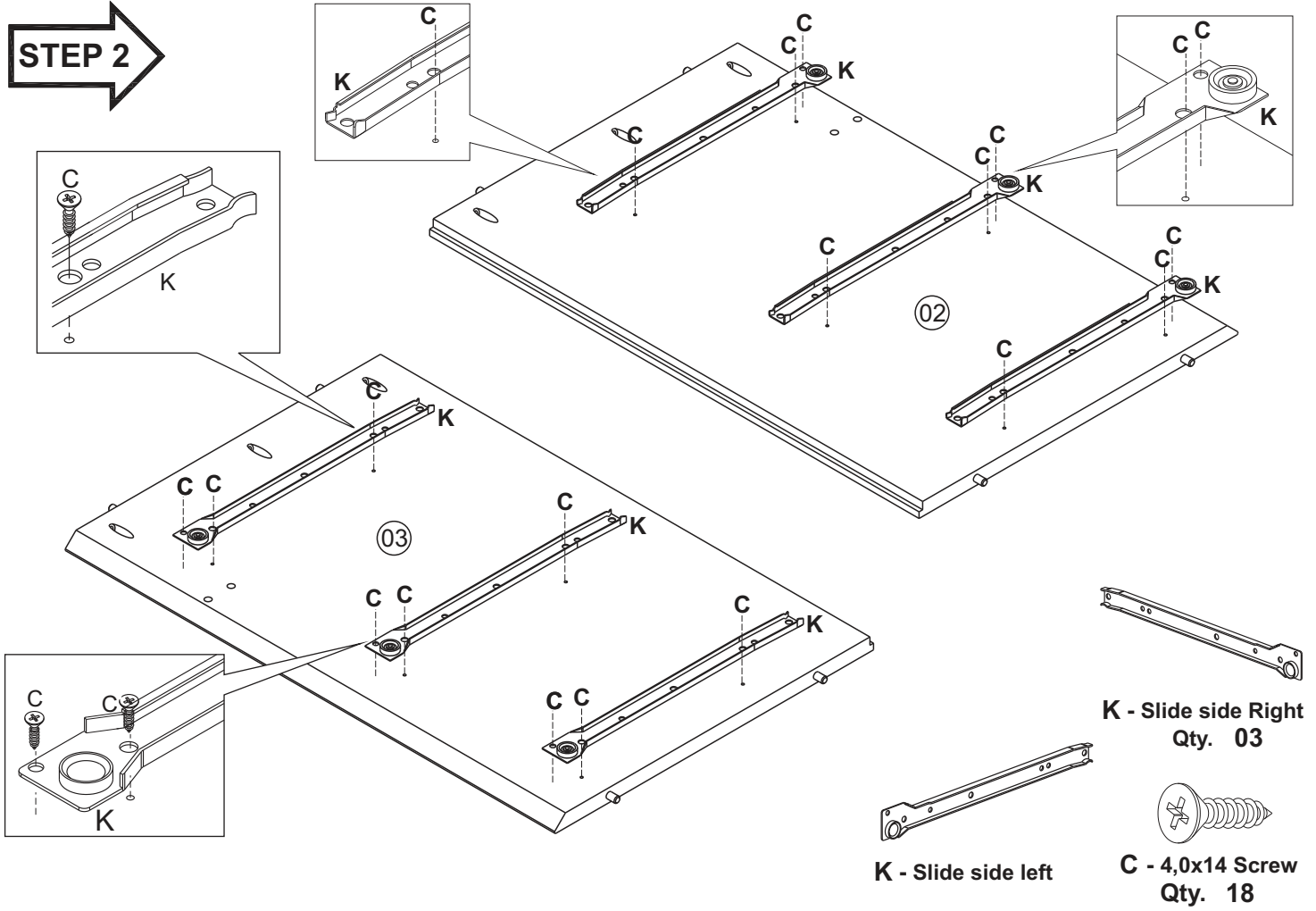
PARTS INCLUDED



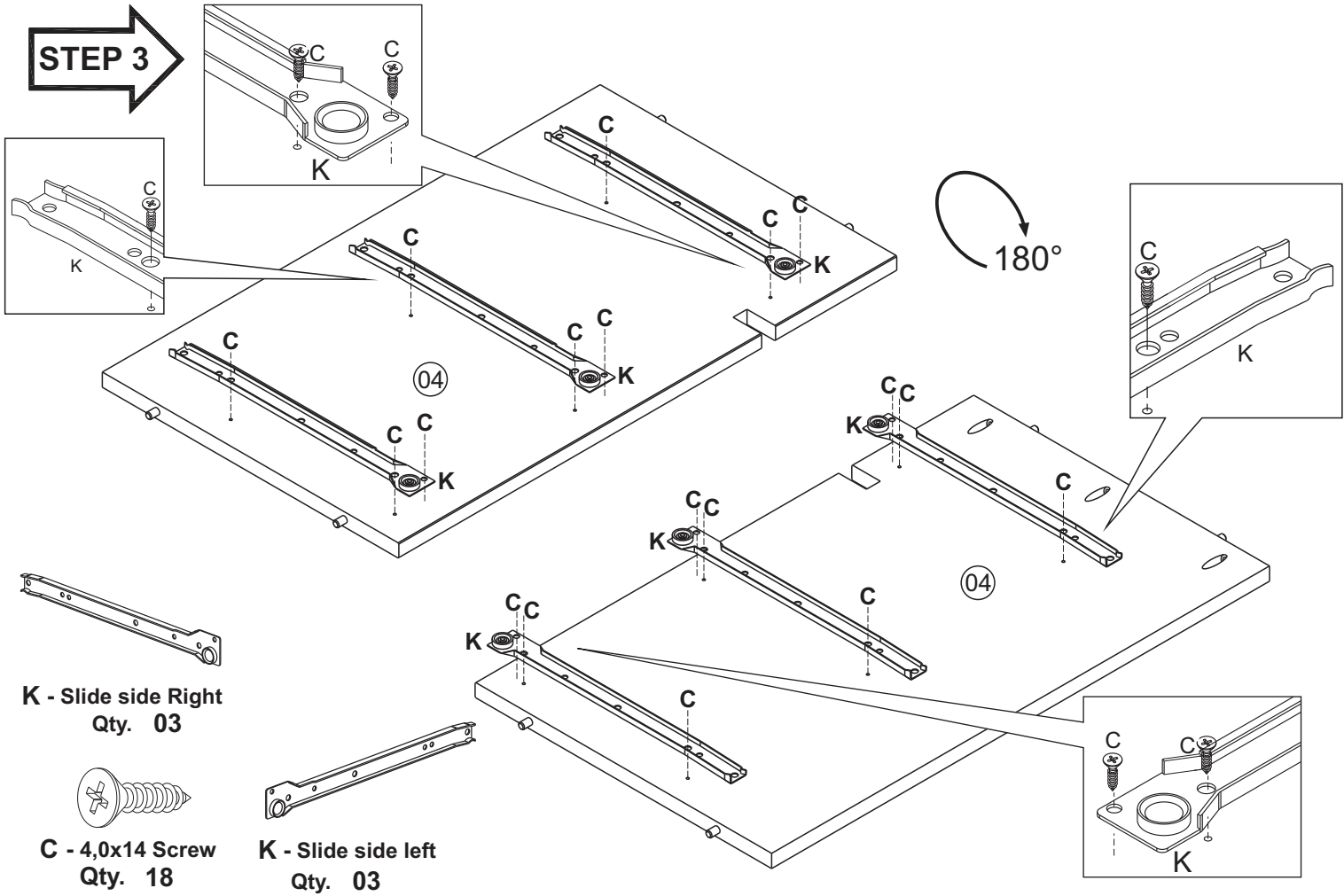
STEP 1



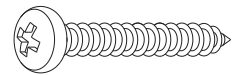
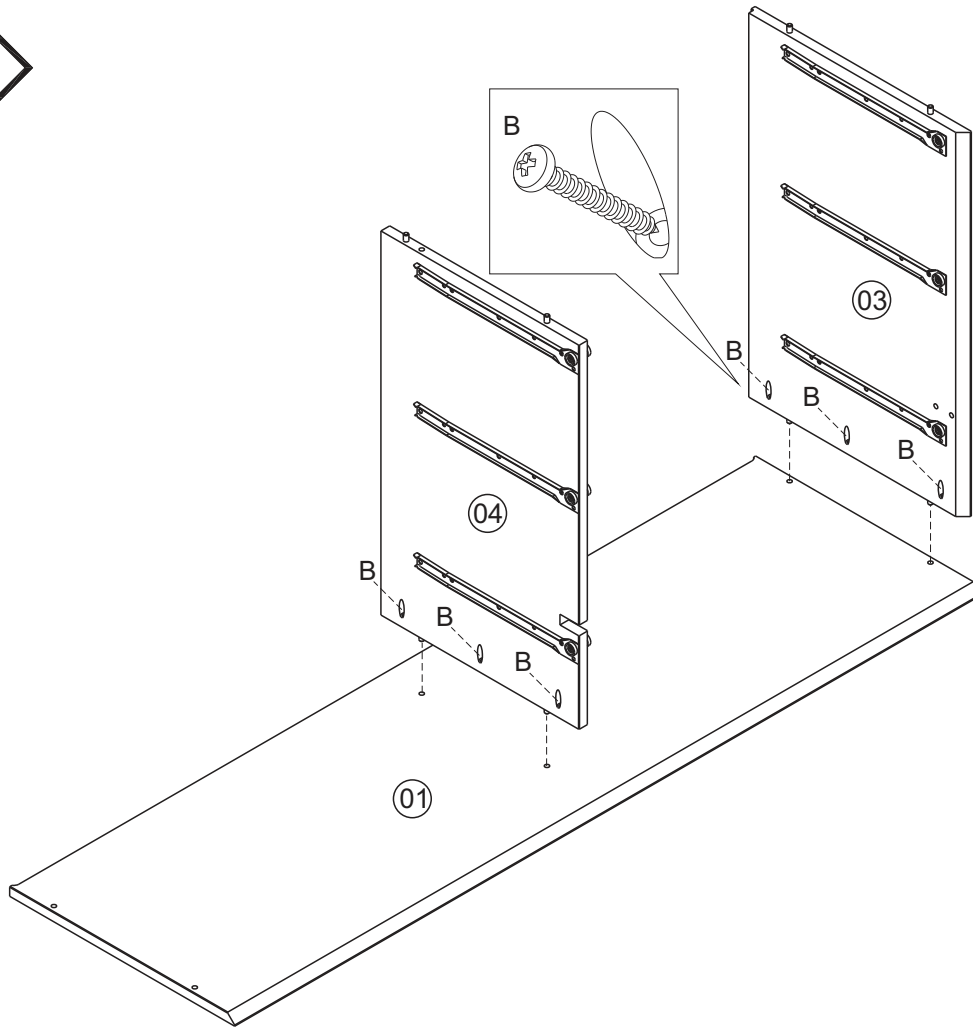
STEP 2



STEP 3

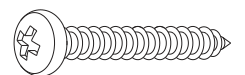
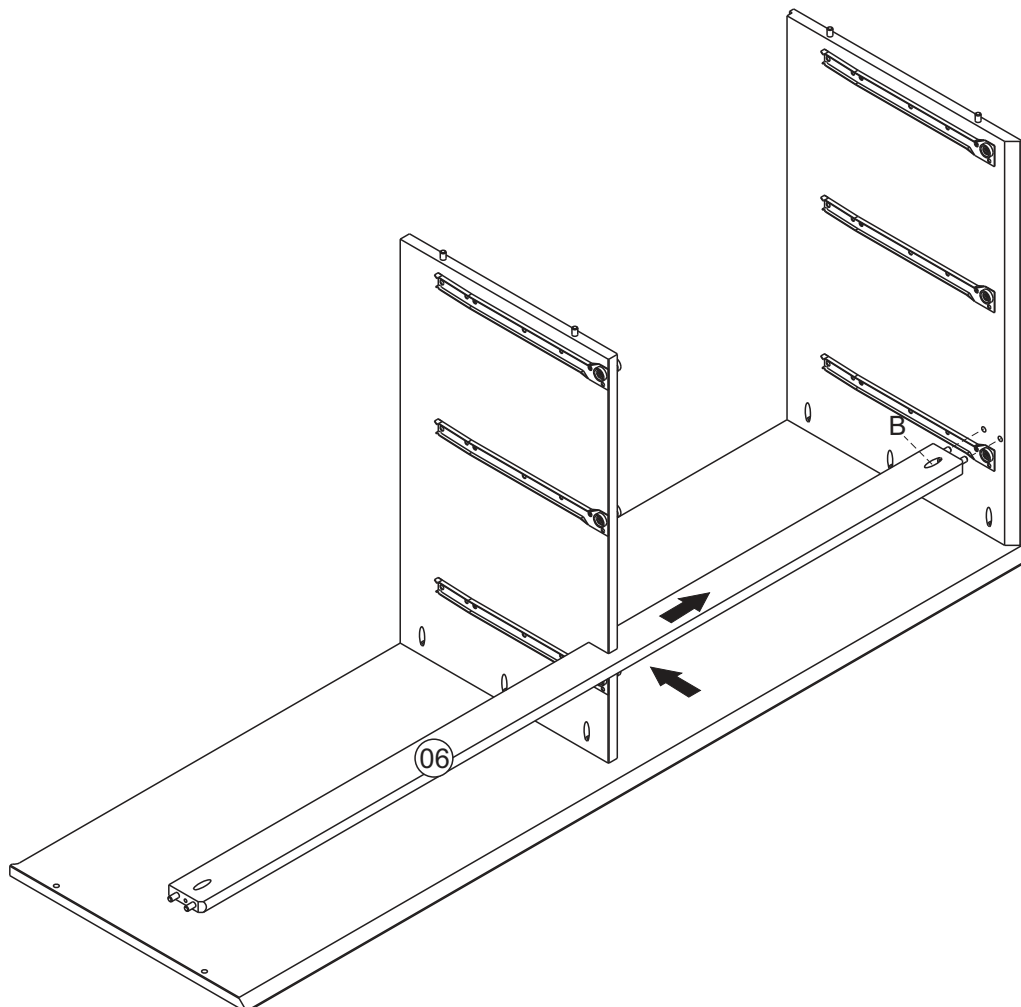


STEP 4



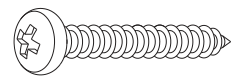
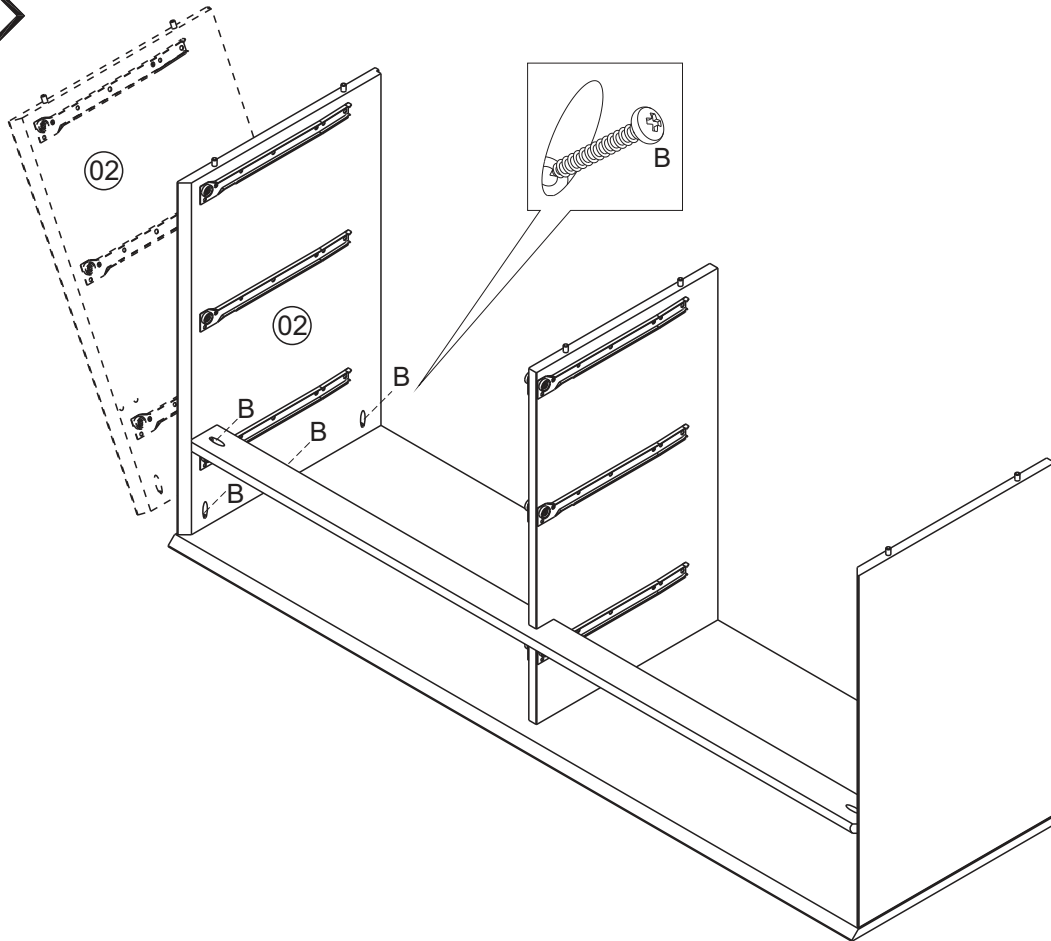
B - 4,0x30 Screw
Qty. 06

STEP 5



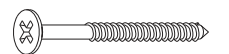
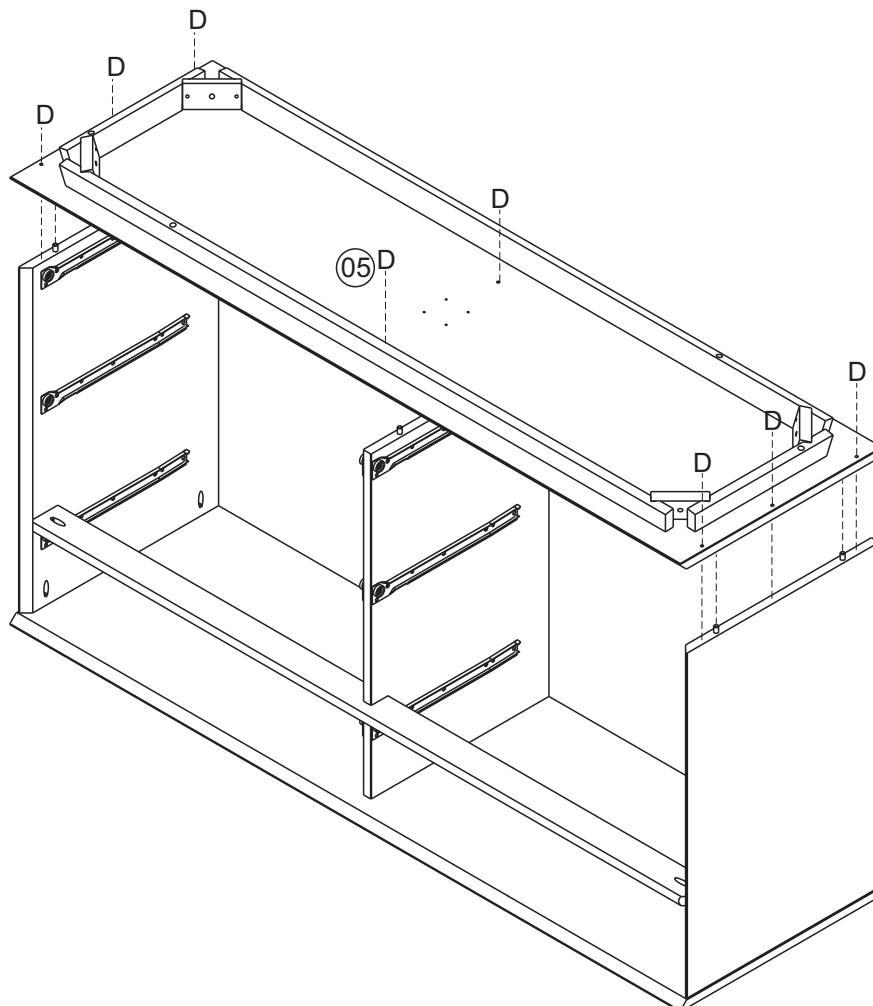
B - 4,0x30 Screw
Qty. 01

STEP 6



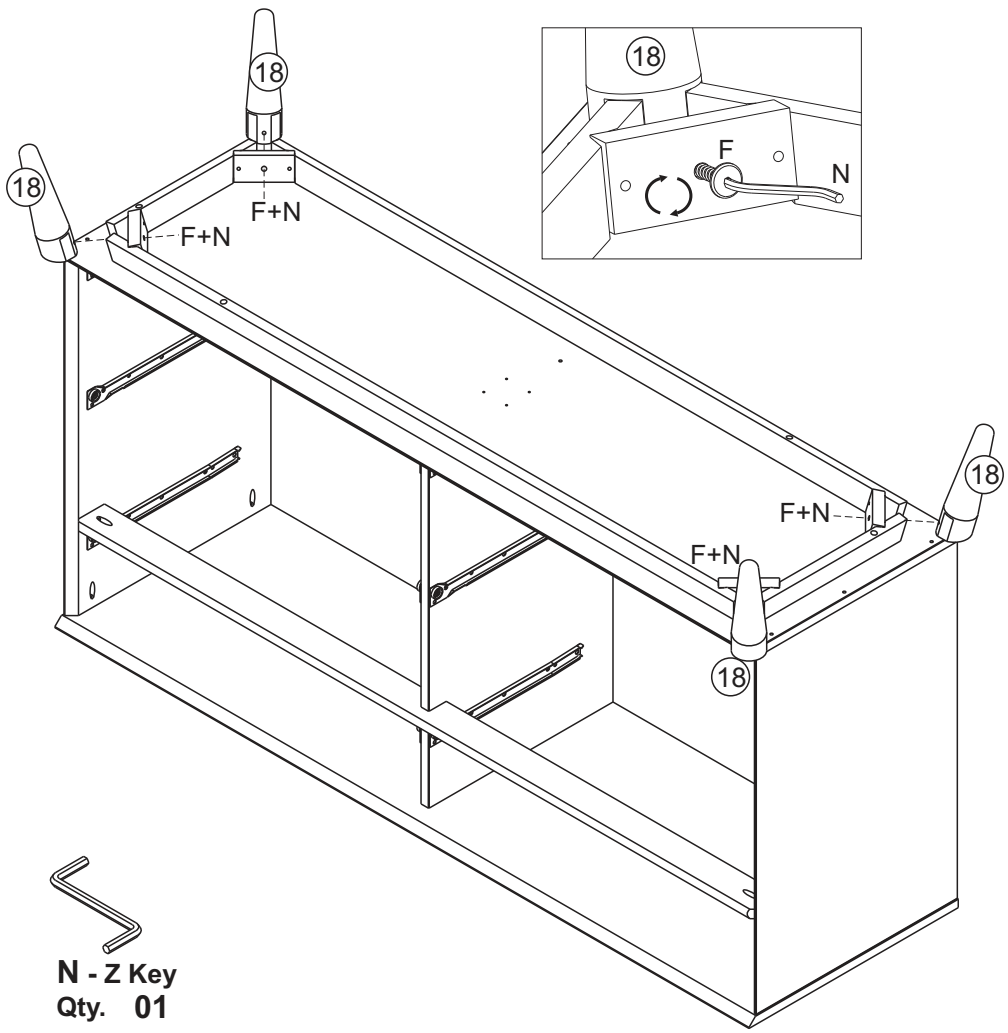
**B - 4,0x30 Screw
Qty. 04**

STEP 7



**D - 4,0x45 Screw
Qty. 08**

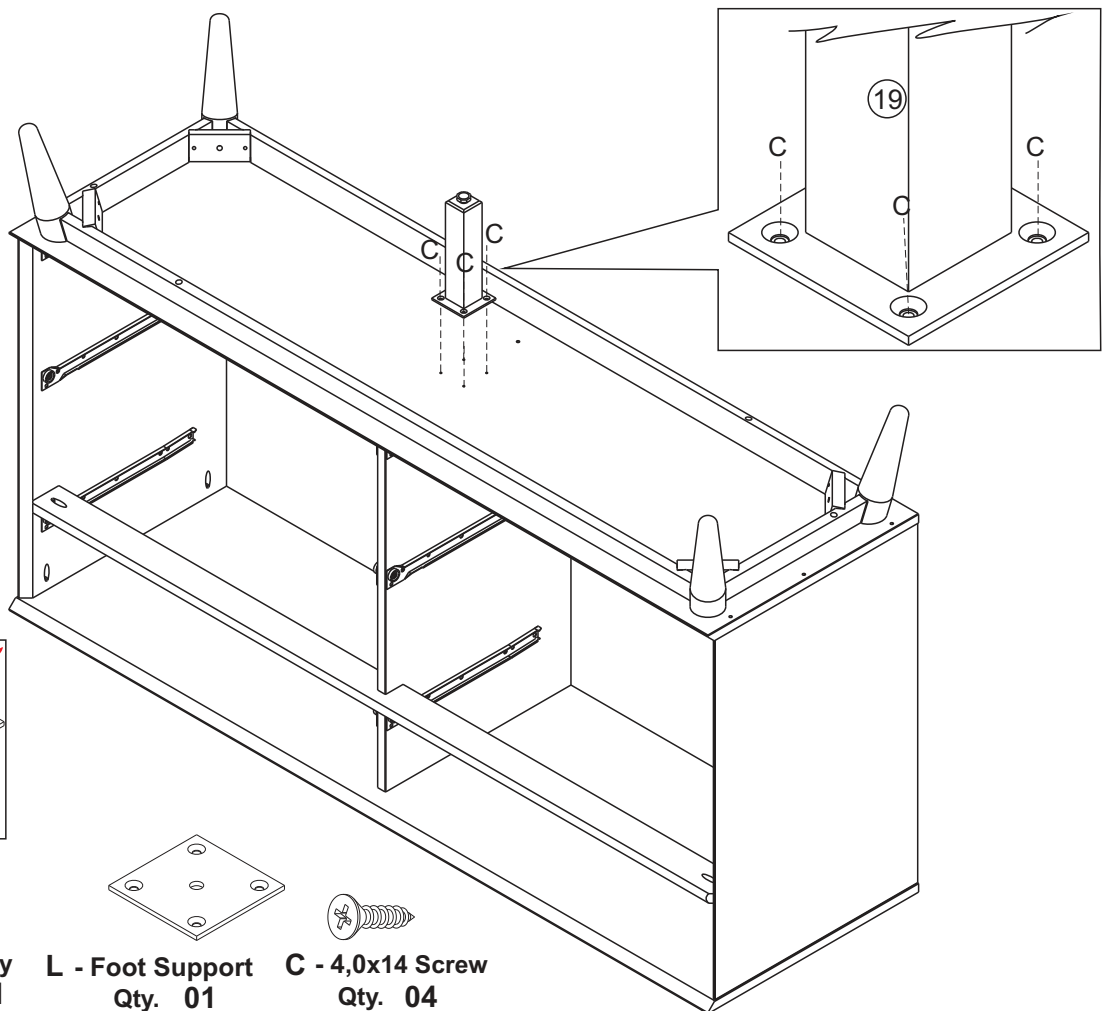
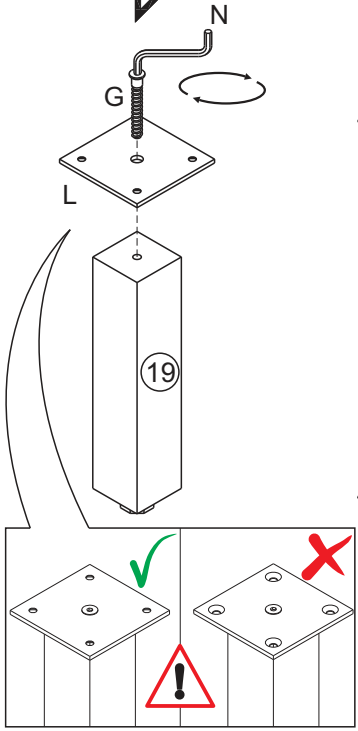
STEP 8



F - 7,0x70 Screw
Qty. 04

N - Z Key
Qty. 01

STEP 9



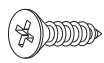
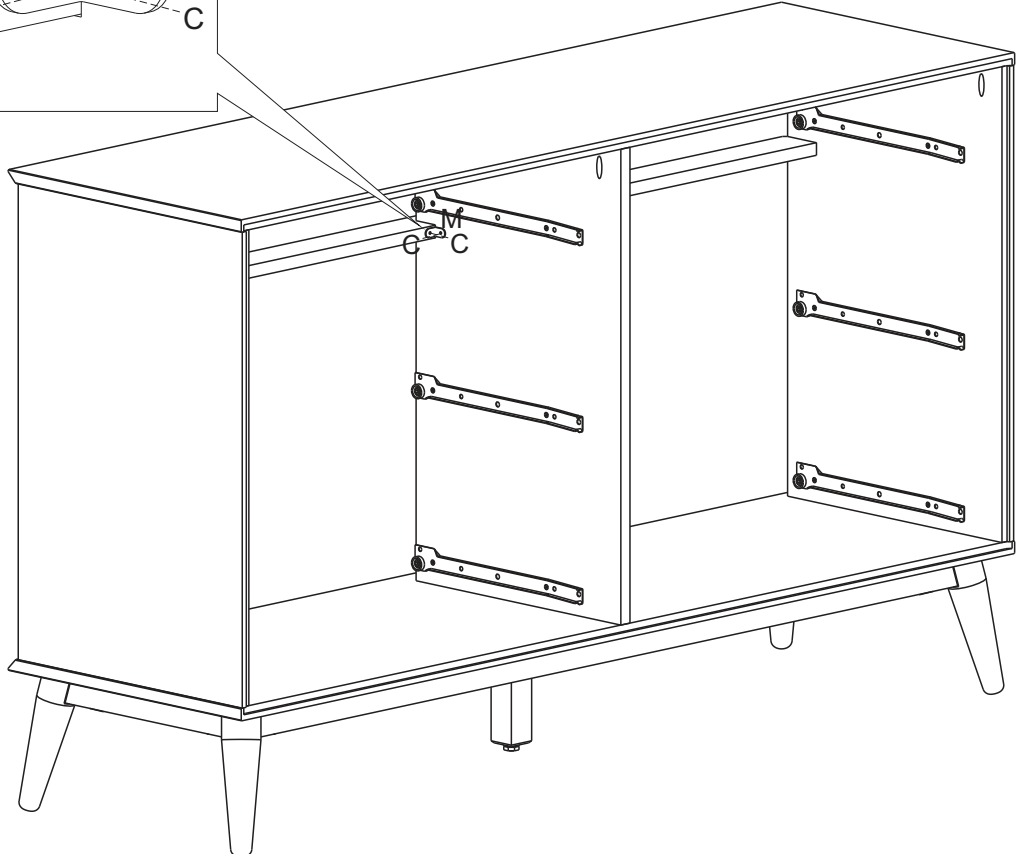
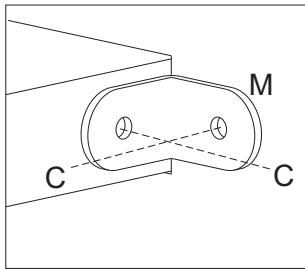
G - 7,0x50 Screw
Qty. 01

N - Z Key
Qty. 01

L - Foot Support
Qty. 01

C - 4,0x14 Screw
Qty. 04

STEP 10

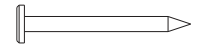
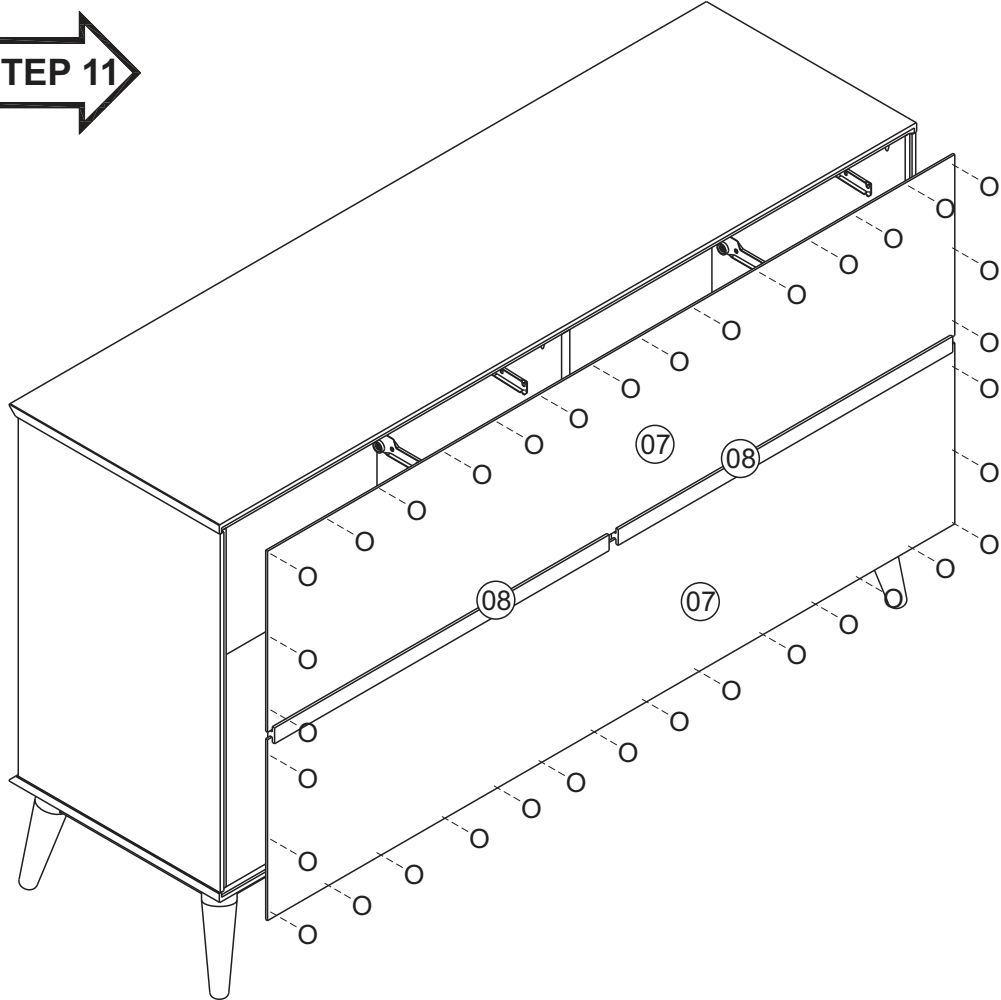


C - 4,0x14 Screw
Qty. 02

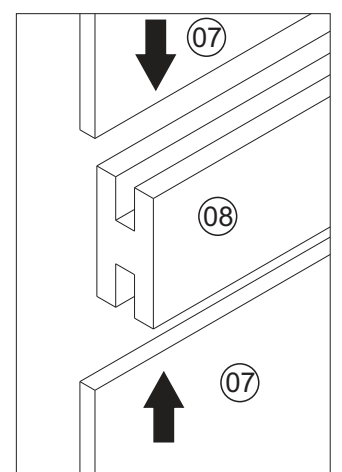


M - Support
Qty. 01

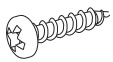
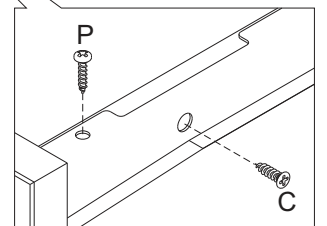
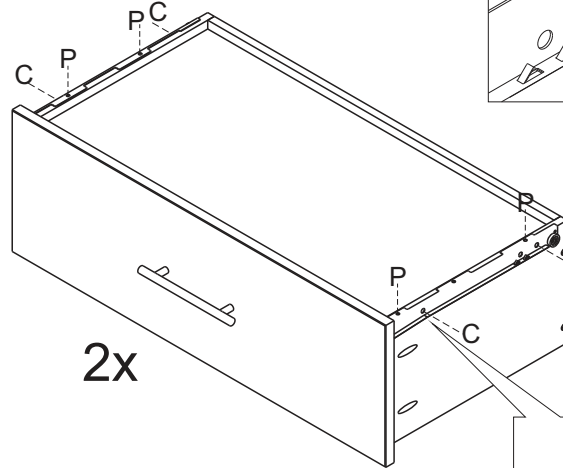
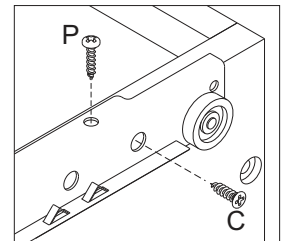
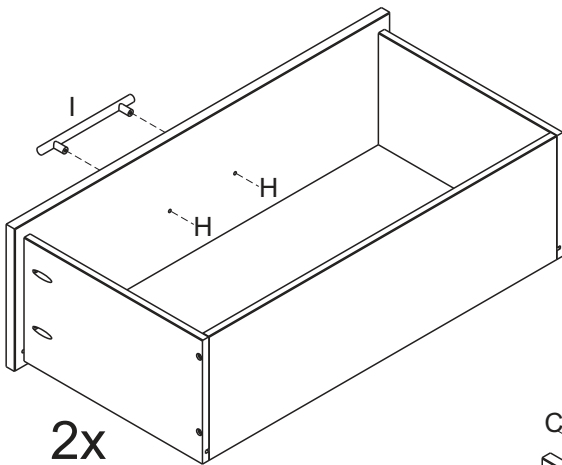
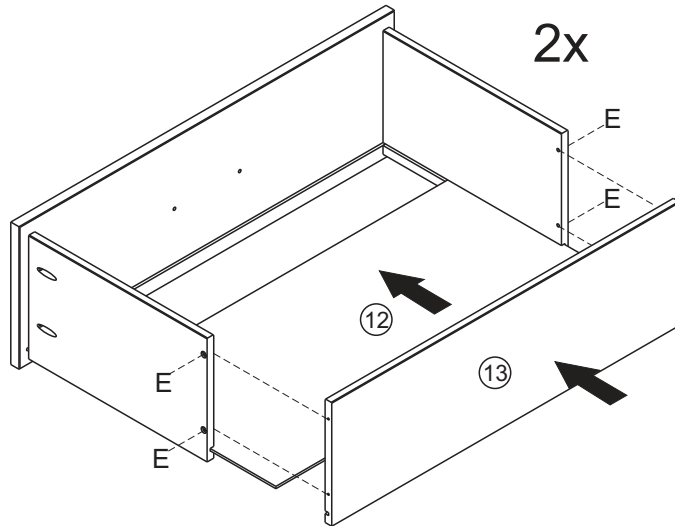
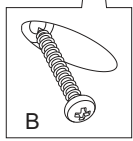
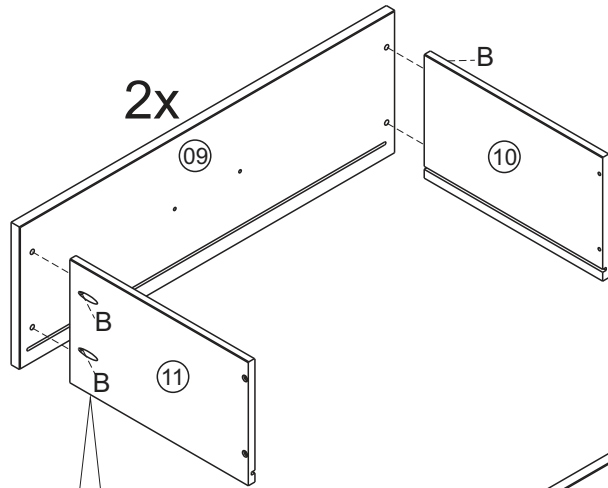
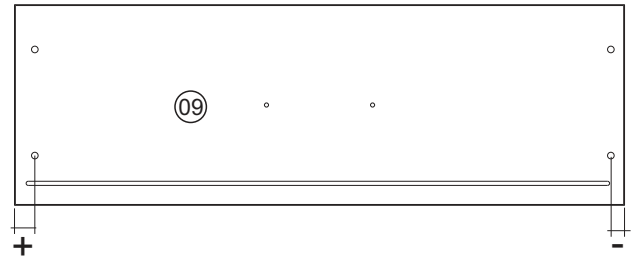
STEP 11



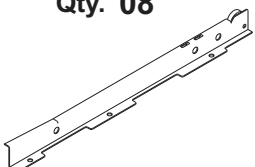
O - Nail
Qty. 36



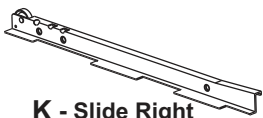
STEP 12



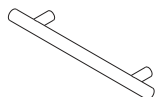
P - Nail
Qty. 08



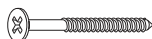
K - Slide Left
Qty. 02



K - Slide Right
Qty. 02



I-Knob
Qty. 02



E - 3,5x30 Screw
Qty. 08



C - 4,0x14 Screw
Qty. 08

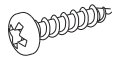
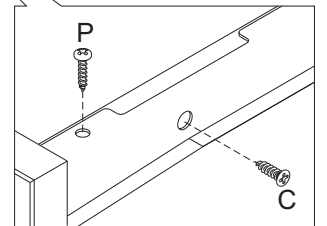
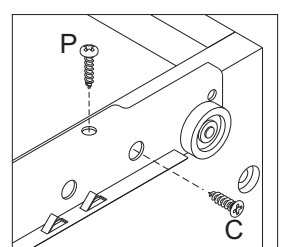
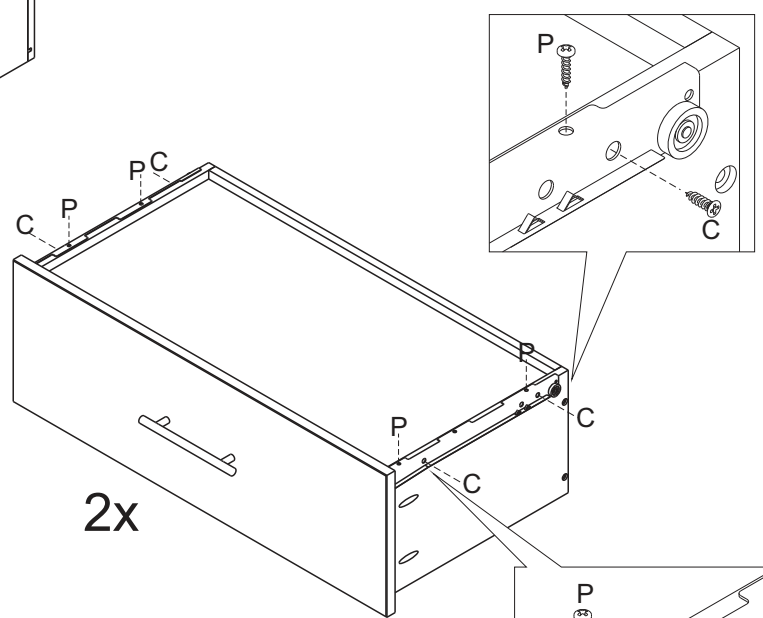
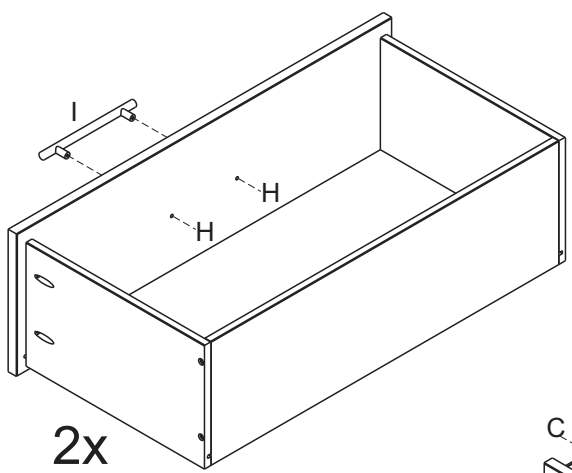
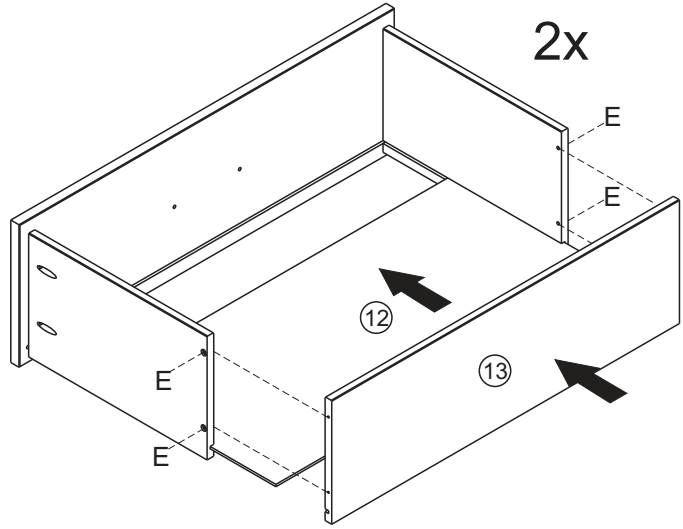
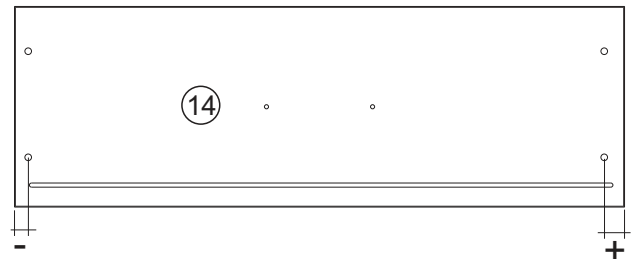
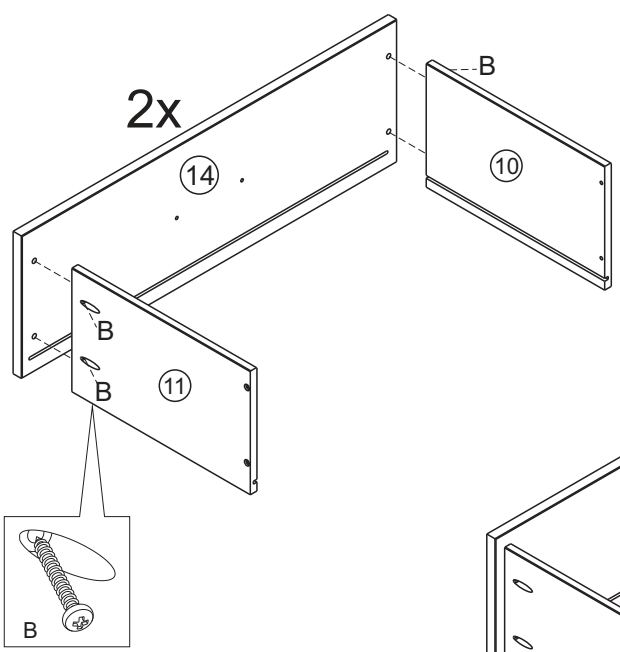


B - 4,0x30 Screw
Qty. 08

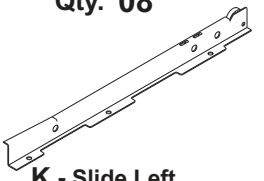


H - M4x25 Screw
Qty. 04

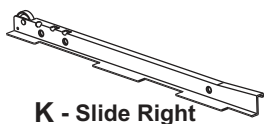
STEP 13



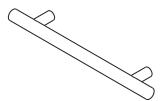
P - Nail
Qty. 08



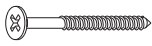
K - Slide Left
Qty. 02



K - Slide Right
Qty. 02



I - Knob
Qty. 02



E - 3,5x30 Screw
Qty. 08



C - 4,0x14 Screw
Qty. 08

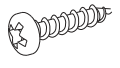
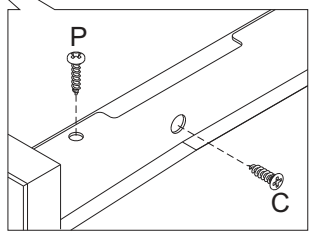
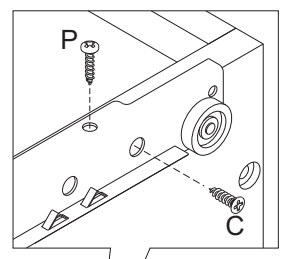
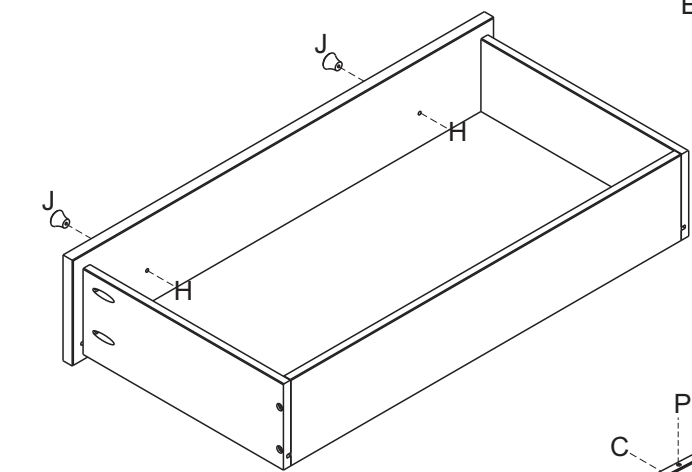
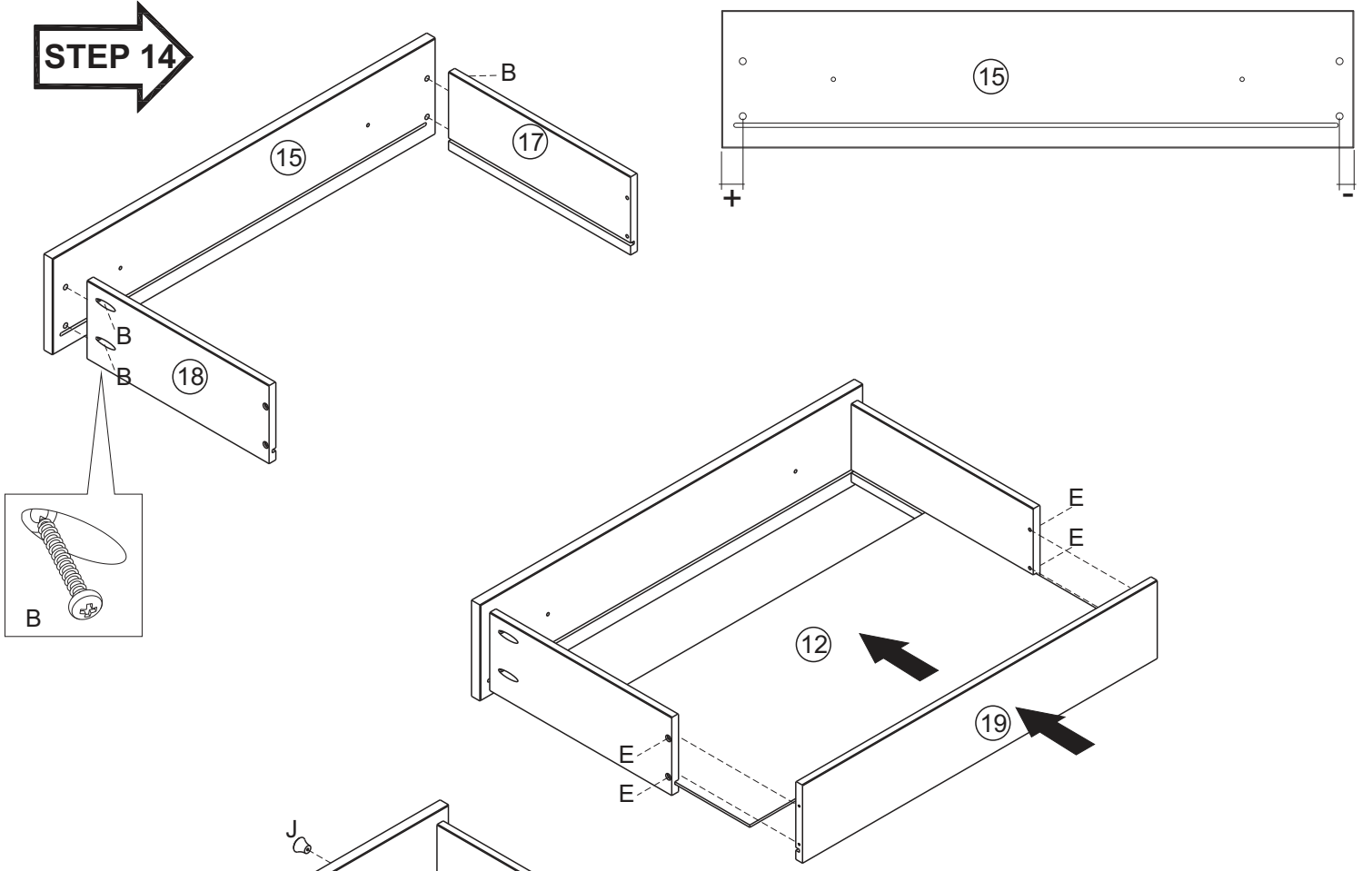


B - 4,0x30 Screw
Qty. 08

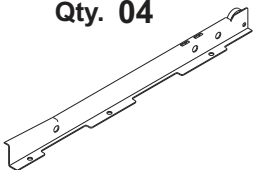


H - M4x25 Screw
Qty. 04

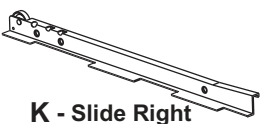
STEP 14



P - Nail
Qty. 04



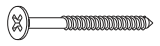
K - Slide Left
Qty. 01



K - Slide Right
Qty. 01



J - Knob
Qty. 02



E - 3,5x30 Screw
Qty. 04



C - 4,0x14 Screw
Qty. 04

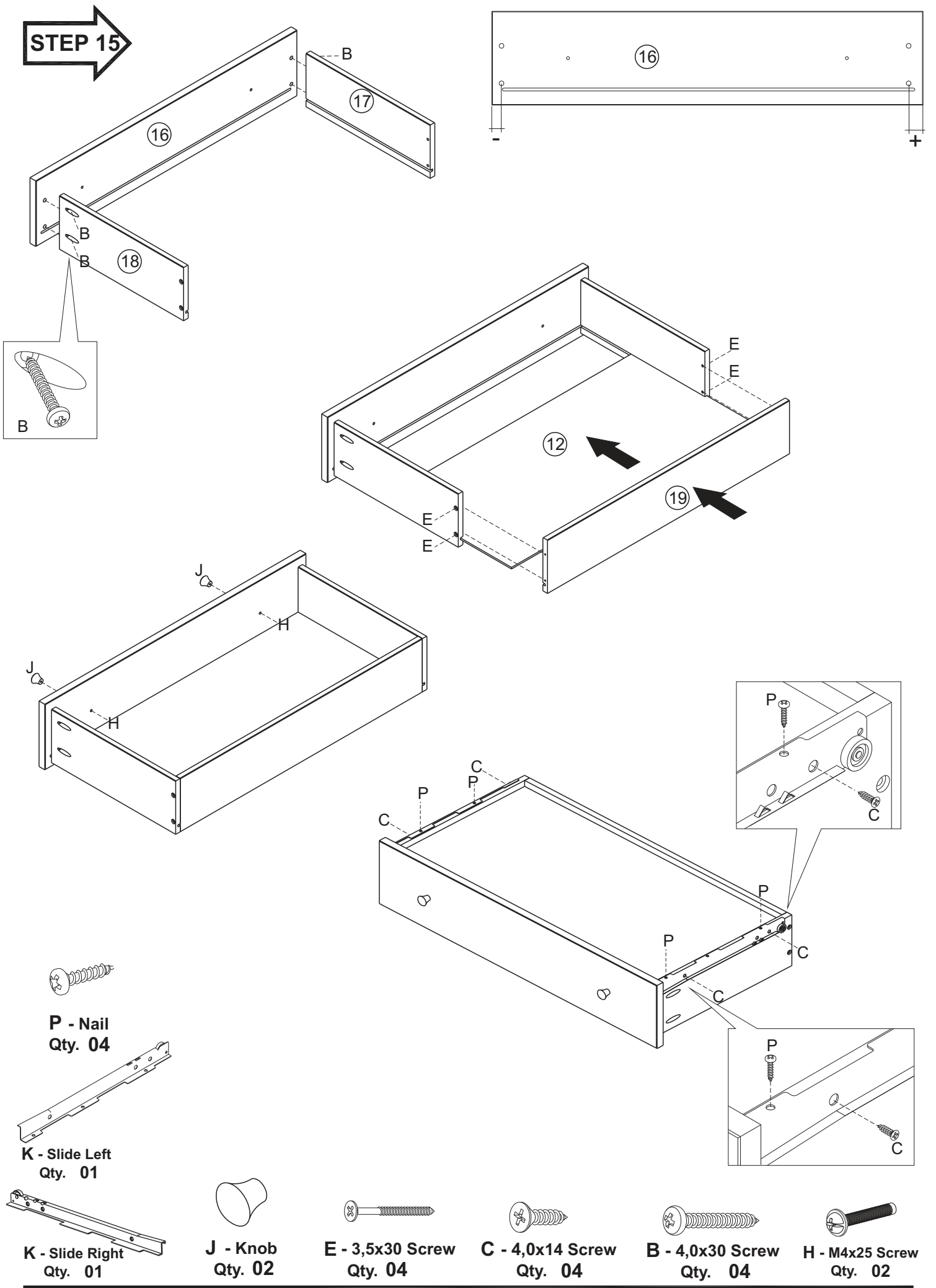


B - 4,0x30 Screw
Qty. 04



H - M4x25 Screw
Qty. 02

STEP 15



P - Nail
Qty. 04

K - Slide Left
Qty. 01

K - Slide Right
Qty. 01

J - Knob
Qty. 02

E - 3,5x30 Screw
Qty. 04

C - 4,0x14 Screw
Qty. 04

B - 4,0x30 Screw
Qty. 04

H - M4x25 Screw
Qty. 02

STEP 16

Place The Drawer With Warning Label in Upper Most Position Of Chest As Shown.



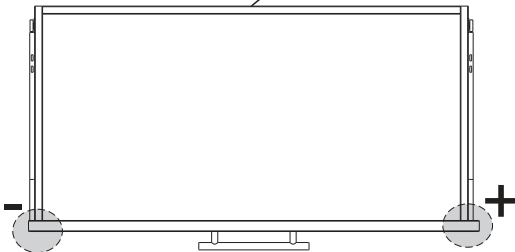
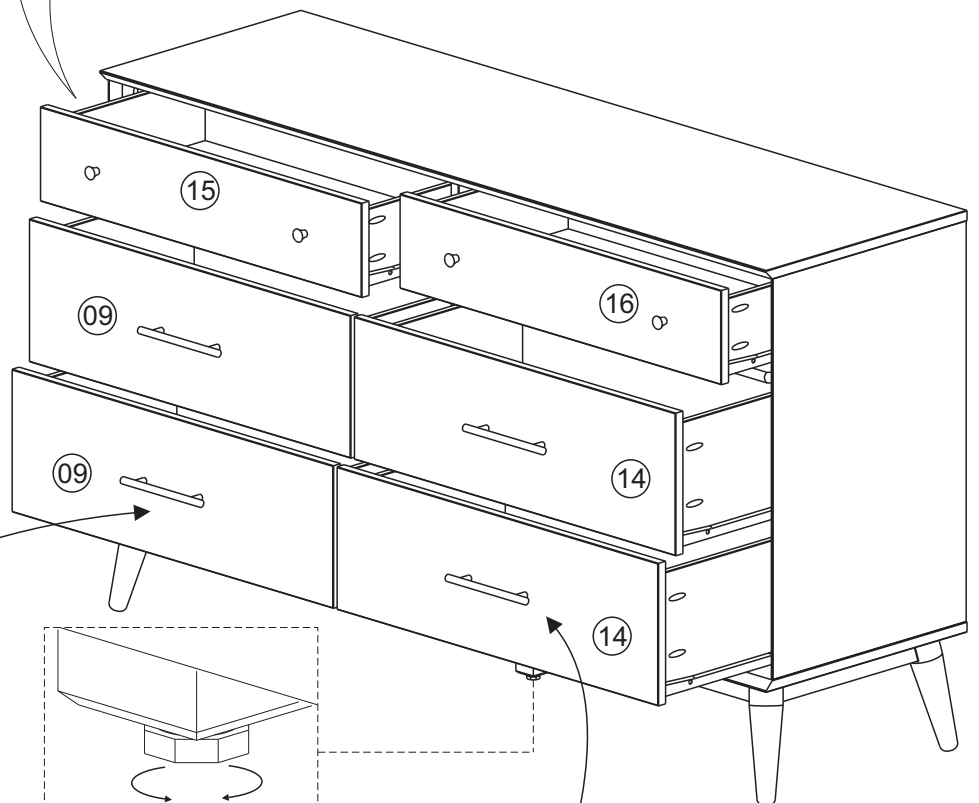
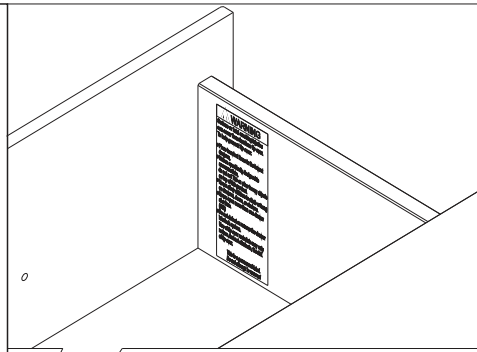
WARNING

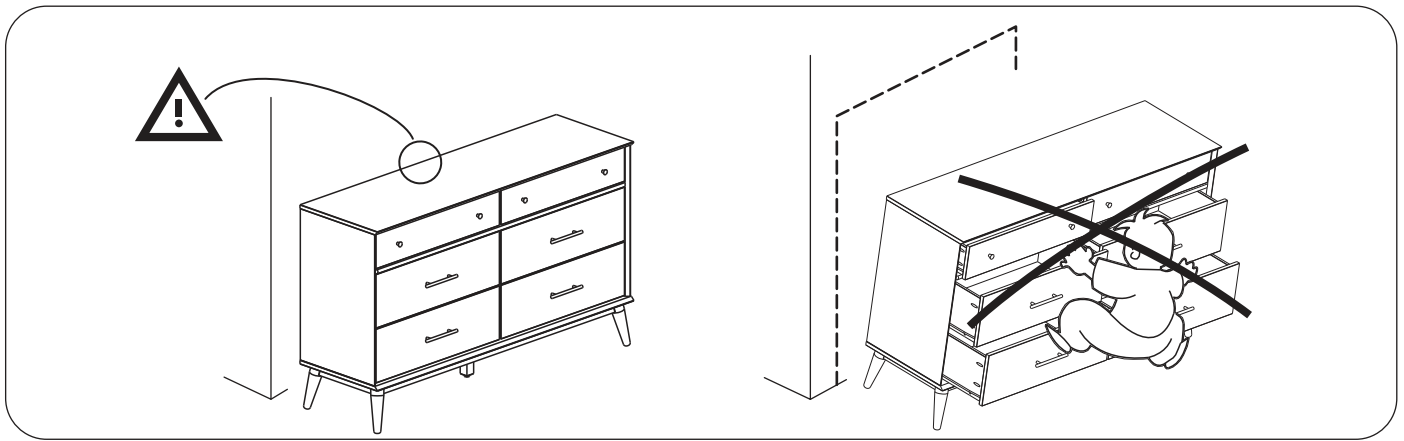
Serious or fatal crushing injuries can occur from furniture tip-over. To help prevent tip-over:

- Place heaviest items in the lowest drawers,
 - Unless specifically designed to accommodate, do not set TVs or other heavy objects on top of this product.
 - Never allow children to climb or hang on drawers, doors, or shelves.
 - Never open more than one drawer at a time.
- (OR)
- Do not defeat or remove the drawer interlock system.

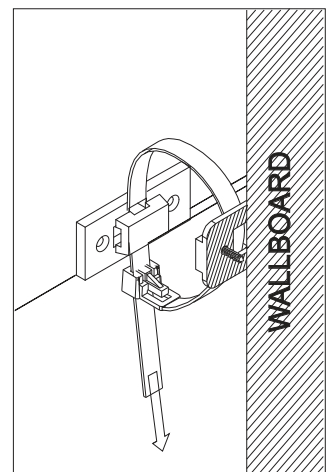
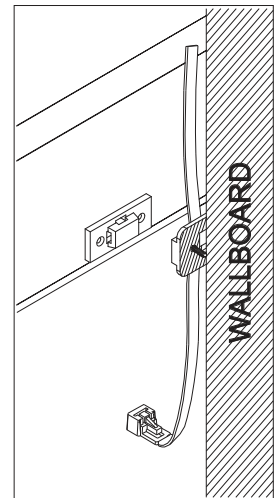
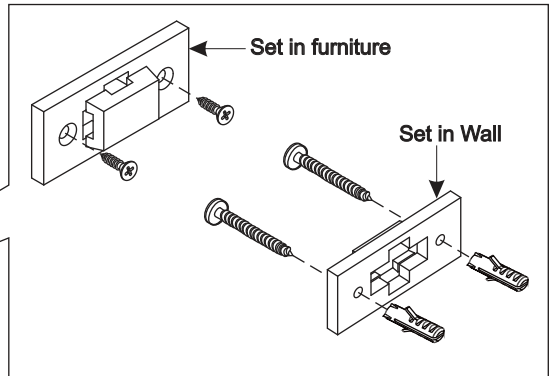
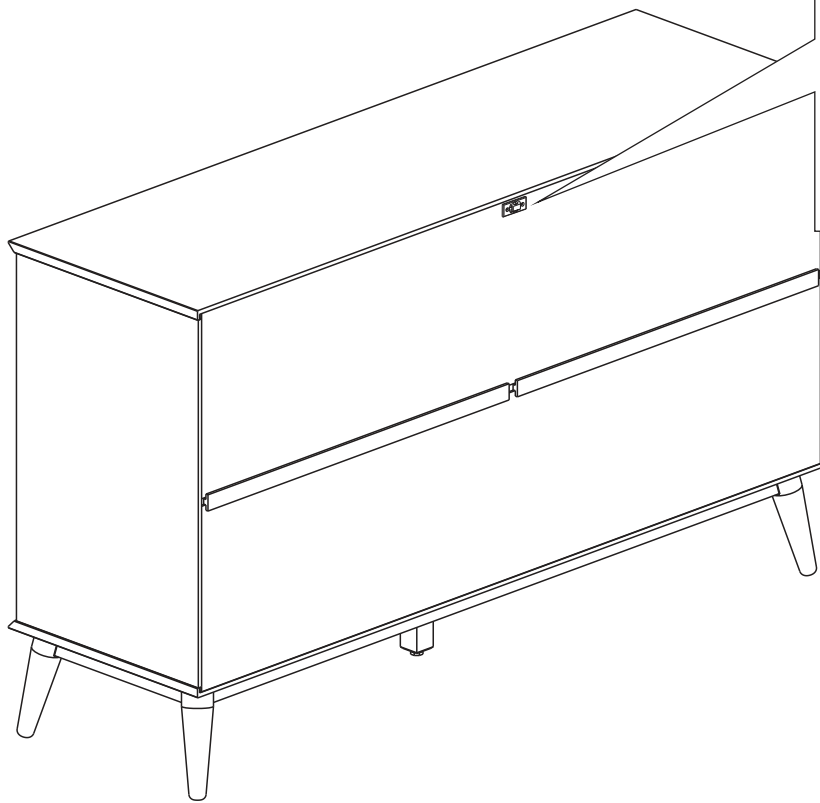
Use of tip-over restraints may only reduce, but not eliminate, the risk of tip-over.

*This is a permanent label.
Do not attempt to remove!*










Anti-Tip Kit



Anti-Tip Kit

-  4,0x30 Screw
Qty. 02
-  3,5x14 Screw
Qty. 02
-  Plastic wall bracket
Qty. 02
-  Nylon strap 300x4,8mm
Qty. 01
-  Plastic screw anchor 6mm
Qty. 02