



OLYMPIA FAUCETS, INC.
 3325 S. Garfield Ave.
 Commerce, CA 90040
 (888) 772-7701
 www.olympiafaucets.com

INSTALLATION

Tools:



Adjustable Wrench



Plumbers Putty



Sealant Tape



Rags

Model Number: L-757X, L-752X

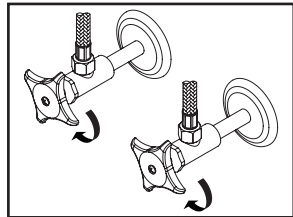
Warnings and Notes:

Check with local plumbing code requirements before installation.
 This product should be installed by a local listed plumber.
Do not use plumbers putty on threads.

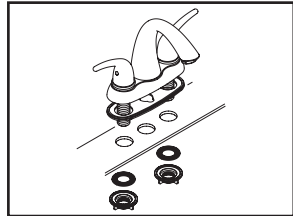


Installation Steps:

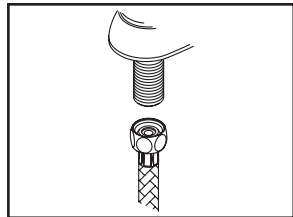
Two Handle Lavatory Faucet



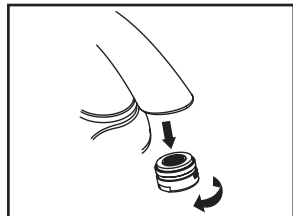
(1) Shut off the water supply. Remove old faucet. Clean mounting surface in preparation for new faucet.



(2) Place the faucet in position on the sink. Apply plumbers putty under the base gasket. Install washer on shanks and tighten with locknut from under the sink

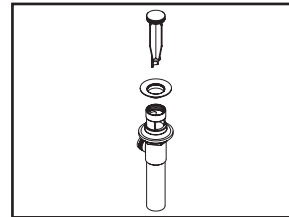


(3) When using stainless steel braided faucet supply hose, this faucet requires one end of the supply hose to have a 1/2" female IPS connection. The other end of this supply hose must match the thread on the water supply valve under your sink. Once you've identified the required size, carefully follow the manufacturer's installation instructions for each hose.

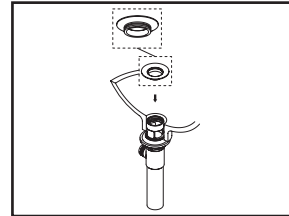


(4) Important: After installation is complete, remove the aerator. Turn on the water and allow both hot and cold water to run for at least one minute each. While water is running, check for leaks. Turn off the water and replace the aerator when finished.

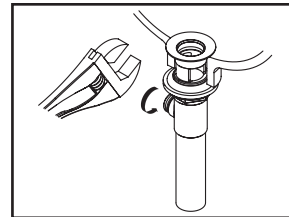
Pop-up Drain Installation:



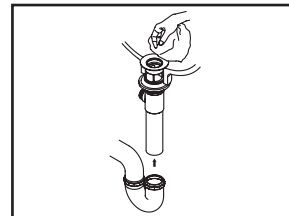
(1) Remove pop-up flange from body



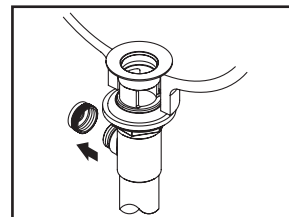
(2) Place a ring of plumbers putty on the bottom of flange.



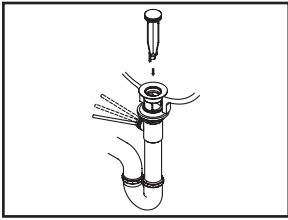
(3) Insert pop-up flange through drain hole and attach flange to the pop-up drain body. Apply Teflon tape on the threaded end of the tail piece and attach tail piece to the pop-up drain body. Ensure the pivot rod hole of the pop-up drain body faces towards the back of the sink. Tighten the locknut with the help of a wrench to secure the pop-up drain body.



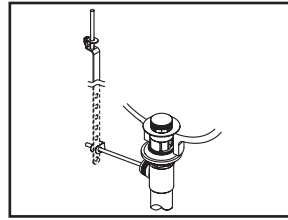
(4) Remove the excess plumbers putty. Connect the trap (check manufacturer's instructions for installation).



(5) Remove pivot rod nut from pop-up body, ensure the washers is in place, insert pivot rod, tighten pivot rod nut back to pop-up body.



(6) Push pivot rod down, insert drain plug carefully. Test to ensure drain plug works properly.

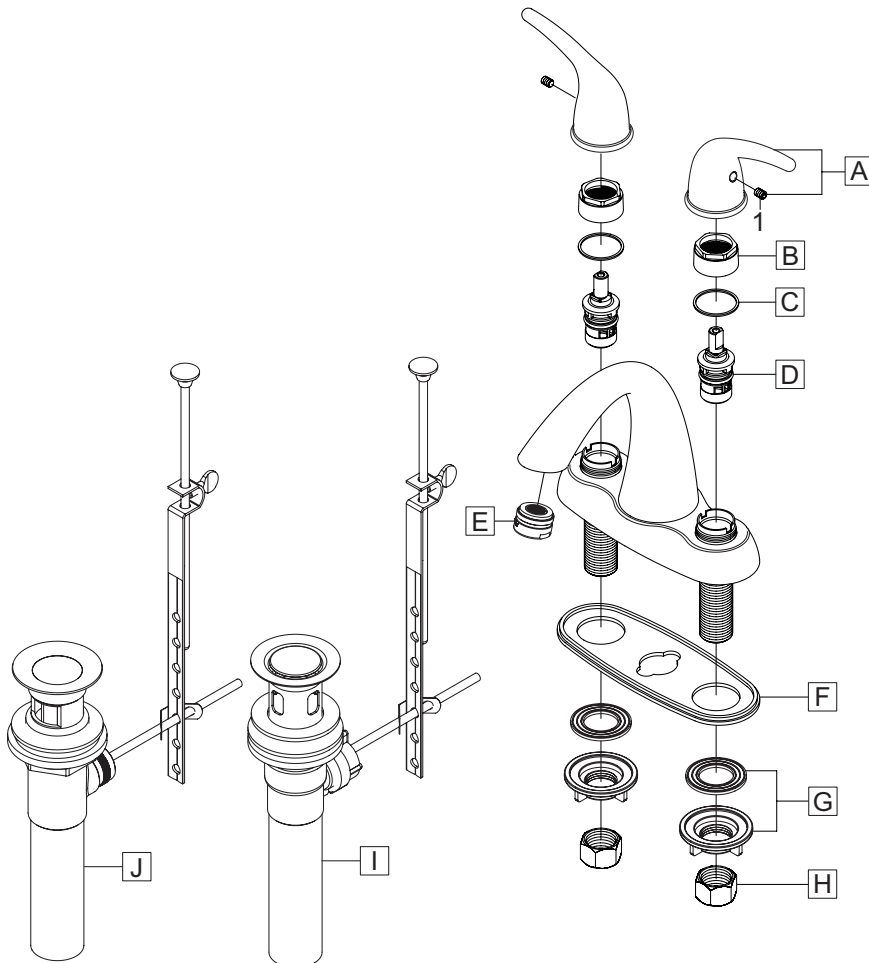


(7) Connect lift rod strap to pivot rod by using clip. Tighten the thumbscrew to connect lift rod strap to pop-up lift rod.

Exploded Drawing: (L-757X)

* Note: Please specify finish/color when ordering.

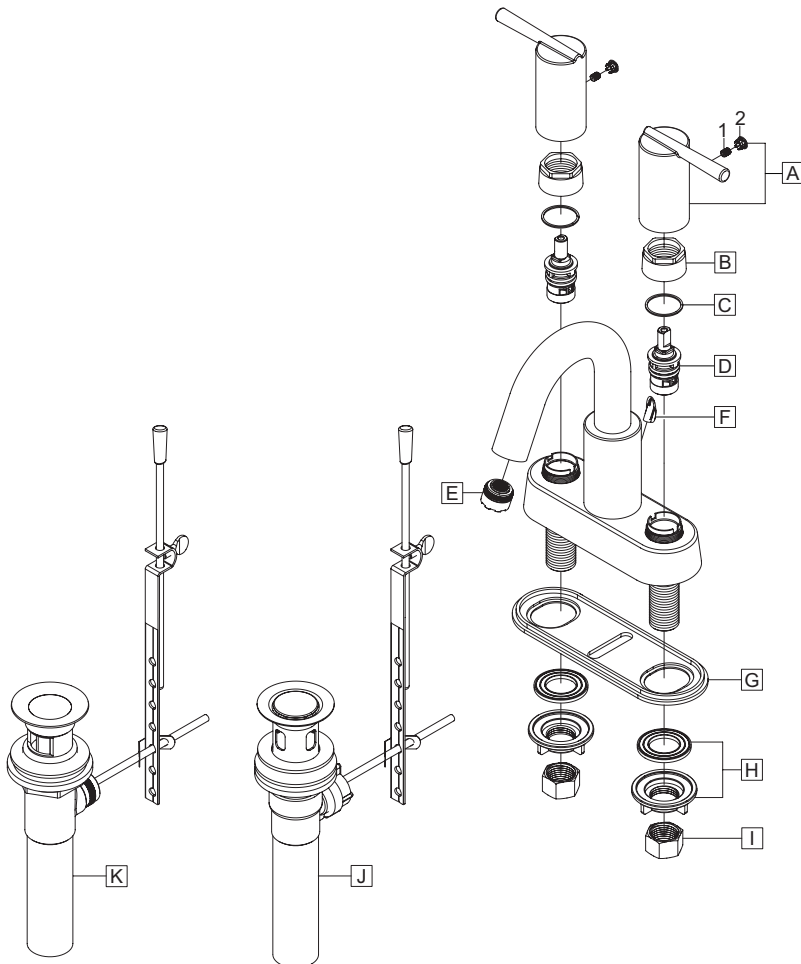
	ITEM #	DESCRIPTION
A	OP-190015C, H*	Lever Handle-Cold, Hot
B	OP-450002	Bonnet Nut
C	OP-430029	Gasket
D	OP-330002C, H	Ceramic Disc Cartridge-Cold, Hot
E	OP-490065*	1.2 GPM Aerator
F	OP-450005	Base Gasket
G	OP-590003	Mounting Kit
H	OP-590001	Supply Nut
I	OP-630004*	50/50 Pop-Up Drain Assembly (For L-7570)
J	OP-630002*	Brass Pop-Up Drain Assembly (For L-7572)
1	OP-490029	3/32" Allen Screw



Exploded Drawing: (L-752X)

* Note: Please specify finish/color when ordering.

	ITEM #	DESCRIPTION
A	OP-190016C, H*	Lever Handle-Cold, Hot
B	OP-450002	Bonnet Nut
C	OP-430029	Gasket
D	OP-330002C, H	Ceramic Disc Cartridge-Cold, Hot
E	OP-490062*	1.2 GPM Aerator
F	OP-430023*	Hole Cove (For L-7521)
G	X-4300023	Base Gasket
H	OP-590003	Mounting Kit
I	OP-590001	Supply Nut
J	OP-630005*	50/50 Pop-Up Drain Assembly (For L-7520)
K	OP-630006*	Brass Pop-Up Drain Assembly (For L-7522)
1	OP-420047	Allen Screw
2	X-4900044*	Hole Cover



For more care information or trouble shooting inquiries
about your Olympia product, Please call:
OLYMPIA FAUCETS, INC. (888) 772-7701
Monday-Friday 8 AM to 8 PM EST (5 AM to 5 PM PST)
www.olympiafaucets.com