



Item #1004159514
Model #N2450E

USE AND CARE GUIDE

HIGH EFFICIENCY ELONGATED ALL-IN-ONE TOILET



Questions, problems, missing parts? Before returning to the store,
call Glacier Bay Customer Service
8 a.m. – 7 p.m., EST, Monday-Friday, 9 a.m. – 6 p.m., EST, Saturday

1-855-HD-GLACIER

[HOMEDEPOT.COM/GLACIERBAY](https://www.homedepot.com/glacierbay)

FOR QUICK &
EASY ASSEMBLY
FIND 3D INSTRUCTIONS
FOR THIS PRODUCT IN

BILT.[®]
DOWNLOAD
THE FREE APP



THANK YOU

We appreciate the trust and confidence you have placed in Glacier Bay through the purchase of this toilet. We strive to continually create quality products designed to enhance your home. Visit us online to see our full line of products available for your home improvement needs. Thank you for choosing Glacier Bay!

Table of Contents

Table of Contents.....	2	Installation.....	5
Safety Information.....	2	Care and Cleaning.....	8
Warranty.....	2	Troubleshooting.....	8
Pre-Installation.....	3		
Planning Installation.....	3	Spanish (Español).....	11-20
Tools required.....	3		
Hardware Included.....	3		
Package Contents.....	4		

Safety Information



WARNING: Handle with care. Vitreous chinaware is glasslike with sharp edges if broken. Do not drop, handle roughly, or overtighten bolts.



WARNING: Risk of hazardous gases. If a new toilet is not installed immediately, temporarily plug the floor flange hole with a towel (or cover) to block sewer gases from escaping.



CAUTION: Observe local plumbing and building codes.

Warranty

LIMITED LIFETIME WARRANTY

Glacier Bay products are manufactured with superior quality standards and workmanship and are backed by our limited lifetime warranty. Glacier Bay products are warranted to the original consumer purchaser to be free of defects in materials or workmanship. We will replace FREE OF CHARGE any product or parts that prove defective. Simply, return the product / part to any of The Home Depot retail locations or call 1-855-HD-GLACIER (1-855-434-5224) to receive the replacement item. Proof of purchase (original sales receipt) from the original consumer purchaser must be made available for all Glacier Bay warranty claims.

This warranty excludes incidental/inconsequential damages and failures due to misuse, abuse or normal wear and tear. This warranty excludes all industrial, commercial and business usage, whose purchasers are hereby, extended a five year limited warranty from the date of purchase, with all other terms of this warranty applying except the duration of warranty.

Some states and provinces do not allow the exclusion or limitation of incidental or consequential damages, so the above limitations may not apply to you. This warranty gives you specific legal rights and you may also have other rights that vary from state to state and province to province. Please visit a store or contact 1-855-HD-GLACIER for more details.

Contact the Customer Service Team at 1-855-HD-GLACIER or visit WWW.HOMEDEPOT.COM/GLACIERBAY

Pre-Installation

PLANNING INSTALLATION

Before beginning installation of this product, make sure all parts are present. Compare parts with the Hardware Included and Package Contents lists. If any part is missing or damaged, do not attempt to assemble, install, or operate the product. Contact customer service for replacement parts.

The toilet works best if a gap is present between the finished wall and back of the tank. Confirm that there is enough space between the wall and the back of the tank prior to installation. If the tank is too close to or touching the wall, try to pull bowl forward on flange as much as possible.

Estimated Assembly Time: 60 minutes

TOOLS REQUIRED



Putty knife



Carpenter's level

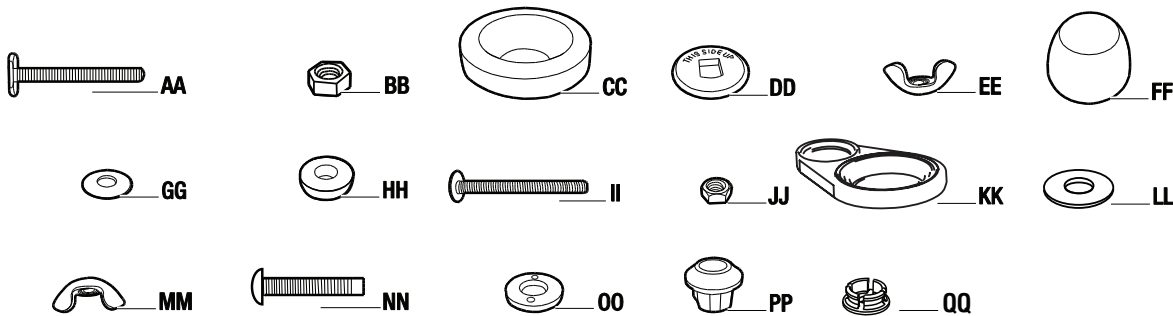


Toilet water supply line

HARDWARE INCLUDED



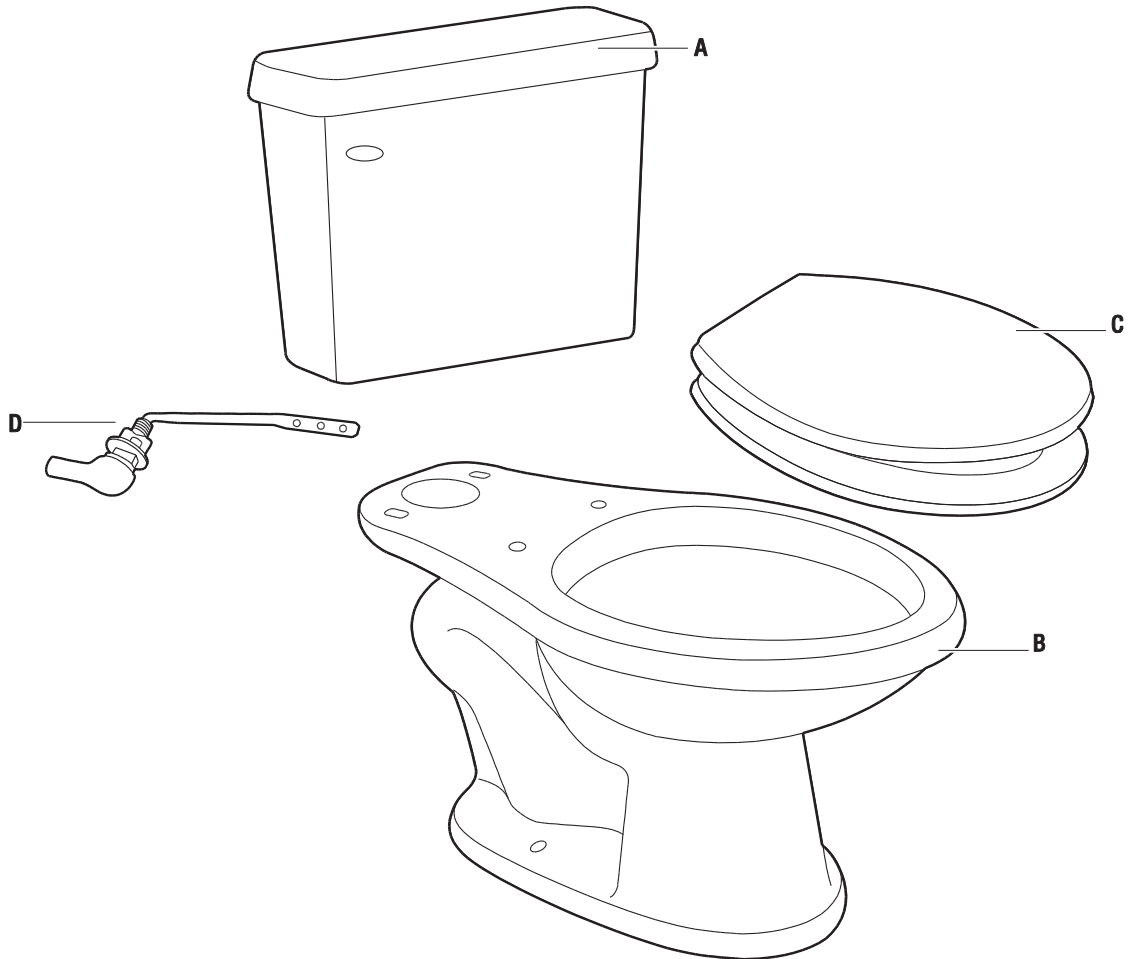
NOTE: Hardware not shown to actual size.



Part	Description	Quantity
AA	Floor bolt (located in the wax ring box)	2
BB	Floor bolt hex nut (located in the wax ring box)	2
CC	Wax ring (located in the wax ring box)	1
DD	Plastic disc	2
EE	Floor bolt wing nut (located in the wax ring box)	2
FF	Bolt cap	2
GG	Brass washer (preassembled to tank (A))	2
HH	Rubber washer (preassembled to tank (A))	2
II	Bolt (preassembled to tank (A))	2
JJ	Hex nut (preassembled to tank (A))	2
KK	Rubber sealing gasket	1
LL	Round metal washer	2
MM	Wing nut	2
NN	Lock bolt (located in seat box)	2
OO	Toilet seat washer (located in seat box)	2
PP	Lock nut (located in seat box)	2
QQ	Seat hinge insert (preassembled to seat with lid (C))	2

Pre-Installation (continued)

PACKAGE CONTENTS



Part	Description	Quantity
A	Tank with cover	1
B	Toilet bowl	1
C	Seat with lid	1
D	Toilet lever handle assembly (pre-installed)	1

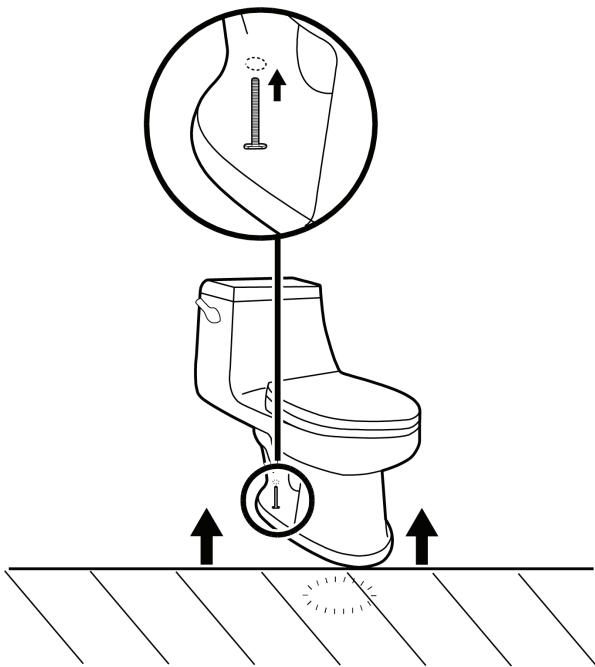
Installation

1 Removing the old toilet

- Turn off the water supply and flush the tank completely. Towel or sponge remaining water from the tank and bowl.
- Disconnect and remove the old water supply line.
- Remove the bowl from the floor by removing the bolt caps and the floor bolt nuts.
- Remove the floor bolts from the toilet flange and clean old wax, putty, and sealant from the base area.
- Temporarily plug the floor flange with a towel or cover to block sewer gases from escaping.

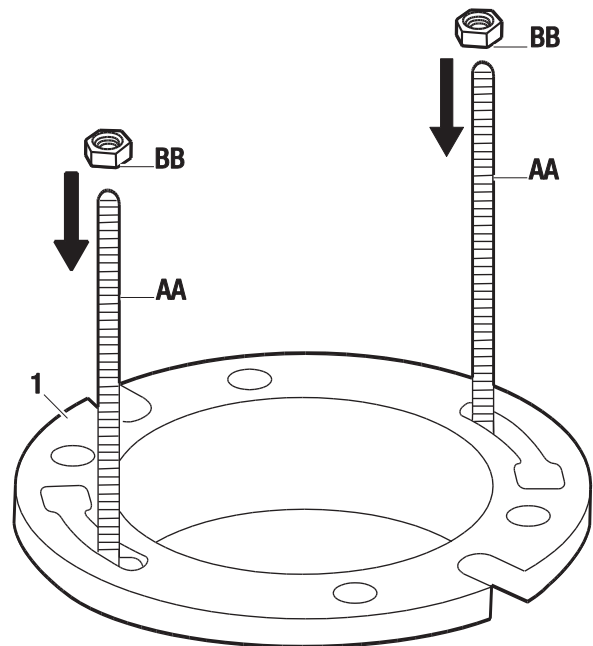


NOTE: The mounting surface must be clean and level before the new toilet is installed.



2 Installing the floor bolts

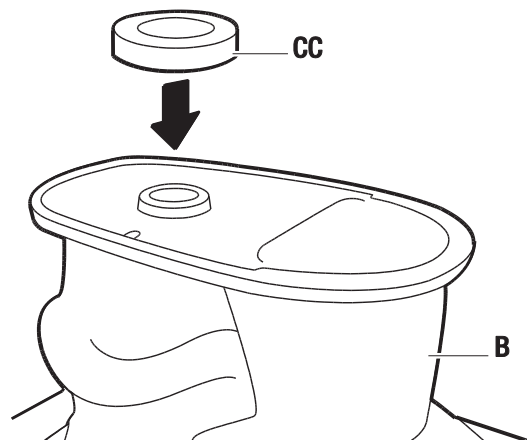
- Insert the floor bolts (AA) into the slots on the toilet flange (1) with the bolt heads down and threaded ends facing up. The heads of the floor bolts (AA) should be perpendicular to the slot opening in the toilet flange.
- Ensure the floor bolts (AA) are parallel to the wall. When set, hand-tighten the hex nuts (BB) onto the floor bolts (AA) to secure.



Installation (continued)

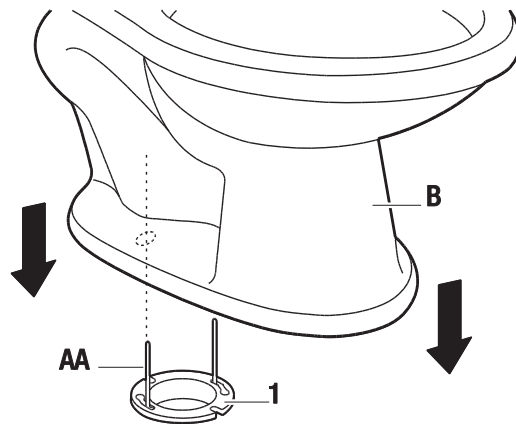
3 Installing the wax ring

- Turn the toilet bowl (B) upside down onto a towel or cushioned surface. With the rounded (tapered) end of the wax ring (CC) facing the toilet, place the wax ring (CC) around the raised outlet ring of the bowl (B), and press firmly enough so the wax ring (CC) adheres to the bowl (B). If the supplied wax ring has a black cone extension, this should be faced away from the toilet.



4 Installing the toilet

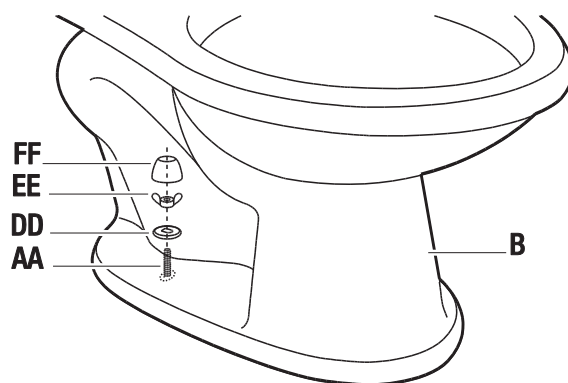
- Place the toilet bowl (B) over the toilet flange (1) in alignment with the floor bolts (AA) so they protrude through the slots on the base of the toilet bowl (B). Press down on the toilet bowl (B).



NOTE: Remember to remove temporary plug from the floor flange prior to placing the bowl.

5 Securing the toilet

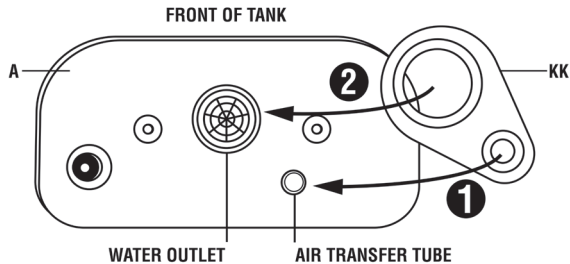
- From the backside of the toilet (B), place the plastic discs (DD) over the floor bolts (AA), noting 'this side up' on the top of the discs.
- Tighten the floor bolt wing nuts (EE) onto the floor bolts (AA) to secure the position of the plastic discs (DD).
- Place the bolt cap covers (FF) over the floor bolts (AA) and snap into place.



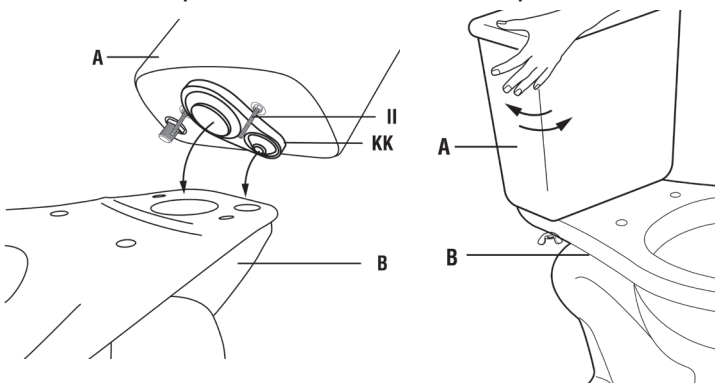
Installation (continued)

6 Installing the tank

- Affix sealing gasket (KK) to underside of tank (A). For best results, first fit gasket (KK) onto the air transfer tube (small tube), then around the larger water outlet.



- Place the tank (A) on the toilet bowl (B) with bolts (II) protruding out underneath.
- With hands placed on each side of the top of the tank, press down while giving the tank a small wiggle / rotation movement to assure the tank is properly seated. In doing so you may feel a small displacement as the tank moves into position.

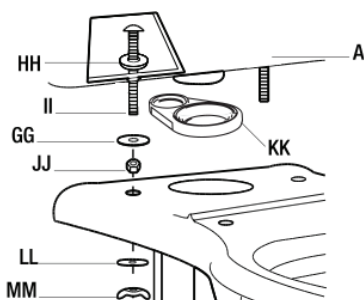


NOTE: It is important that the tank is properly aligned on the bowl to assure vacuum function is working correctly to optimize performance of the toilet.

- Place a round metal washer (LL) followed by a wing nut (MM) onto each protruding bolt (II).
- Tighten the wing nuts (MM) enough so that the tank (A) sits level and secure on the toilet bowl (B). Begin by first snugging up on side opposite the handle, then alternate sides till tight. Make sure the tank (A) is parallel to the wall and straight on the toilet bowl (B).



CAUTION: Do not overtighten the nuts. May cause severe damage.

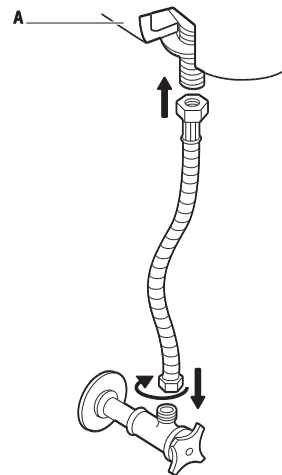


7 Connecting the water supply line

- Connect the water supply line (not included) between the tank (A) and shut-off valve.
- Tighten the tank connection coupling nut $\frac{1}{4}$ turn beyond hand tight.
- Turn on the supply valve and allow the tank (A) to fill.
- Check for leakage at all connections and tighten or correct as needed.

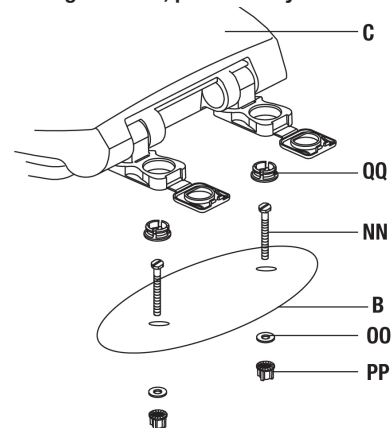


NOTE: Do not overtighten the tank connection.



8 Installing the seat with lid

- Place toilet seat with lid (C) on toilet (B) with hinges flat and hinge covers open; align with bolt holes on toilet (B).
- Insert lock bolt (NN) through seat hinge insert (QQ) so that the bolts (NN) protrude through the toilet (B) openings.
- Adjust the toilet seat (C) position to best fit the toilet (B) shape.
- Place washer (OO) and lock nut (PP) onto the lock bolt (NN) from the underneath of the toilet (B). Tighten the lock nut (PP) firmly to secure seat (C) to the toilet (B).
- Close the hinge covers, press firmly to secure.



Care and Cleaning

Your new toilet is made of stain-, acid- and abrasion-resistant vitreous china. Clean the outside surface with mild soap, warm water and a soft cloth. On stubborn stains use a powdered detergent and damp sponge or nylon scouring pad. Never use abrasive scouring powders, cleansers or pads because they will scratch, damage and dull the surface. The manufacturer shall not be responsible or liable for any tank fitting damage caused by the use of cleaners containing chlorine (calcium hypochlorite). When cleaning your toilet seat, wash it with mild soapy water. Rinse the seat thoroughly with clean water and dry with a soft cloth. Avoid detergents, disinfectants or cleaning products in aerosol cans. NEVER use abrasive scouring powders on your seat. Some bathroom chemicals and cosmetics may cause damage to the seat's finish, so test your cleaning solution on an inconspicuous area before applying to the entire surface.



WARNING: DO NOT USE IN-TANK CLEANERS. Products containing chlorine (calcium hypochlorite) can seriously damage tank fittings potentially causing leaks, excessive water use and property damage.

To remove quick release toilet seat for cleaning

- Open hinge covers.
- Hold toilet seat and lid in an upright position. Grasping both sides, pull straight up.
- To reinstall, place seat on bowl and press hinges back onto hinge inserts. Close hinge inserts and press firmly to secure.
- Check that seat is locked in place.

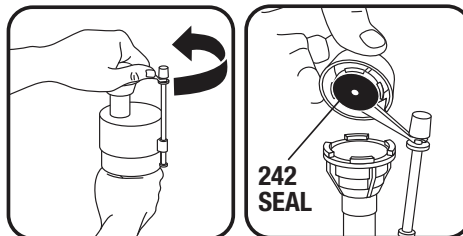
Troubleshooting

Problem	Solution
The fill valve does not turn on, will not turn off, or will not refill the tank after the flush.	<ul style="list-style-type: none"> <input type="checkbox"/> Remove top cap and check for debris. If you find debris or flow is weak, inspect the lower section of fill valve for partial blockage. Partial blockage may be at shut off valve or in water supply line. (See "REMOVING THE VALVE CAP ASSEMBLY" and "FLUSHING OUT DEBRIS"). <input type="checkbox"/> If fill valve has been in use for some time and/or float cup does not drop when flushing tank, replace seal with a genuine Fluidmaster 242 seal (See "IF REPLACING SEAL").
The flush quality of the toilet is poor.	<ul style="list-style-type: none"> <input type="checkbox"/> Re-seat the tank to assure proper connection. Loosen wingnuts holding tank several turns. With hands a top tank on both sides, press down while performing a small rotation / wiggle movement to assure tank is properly seated. In doing so you may feel a small displacement as the tank moves into position. <input type="checkbox"/> Make sure the water level in the tank is up to the water line printed on the overflow tube of the flush valve. To increase the water level turn the adjustment screw on the fill valve clockwise to raise the float cup. <input type="checkbox"/> Check to make sure the flush lever chain is not too loose. Adjust the chain length to ensure the flush valve seal is able to completely close and that there is only a small amount of play left between the flush lever and the chain.
Water continues to run.	<ul style="list-style-type: none"> <input type="checkbox"/> Check to ensure the flush valve seal is completely closed. Clear any debris from the flush valve seal and sealing area of the flush valve which may be obstructing full closure. <input type="checkbox"/> Check to ensure the flush lever chain is not too tight. Adjust the chain length to ensure the flush valve seal is able to completely close and that there is only a small amount of play left between the flush lever and the chain.

Troubleshooting (continued)

REMOVING VALVE CAP ASSEMBLY

Turn off water supply and flush out tank. Push float up with right hand (see picture). Grip and hold shaft under float with right hand. With left hand, twist cap and lever counter clockwise 1/8 of a turn to unlock the top cap. Pressing down on top may be helpful with older valves. Let cap assembly hand out float cup.



FLUSHING OUT DEBRIS

Hold cup upside down over uncapped valve to prevent splashing. Turn water supply on and off a few times. Turn water supply off when putting cap back on valve.



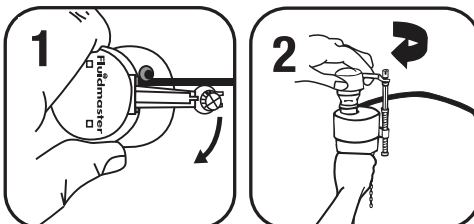
IF REPLACING SEAL

Use only a genuine Fluidmaster 242 seal.



REPLACING VALVE CAP

1. Place cap assembly on top of grey valve body by aligning cap arm and adjustment rod next to refill tube.
2. Press down on top cap while rotating top arm clockwise to locked position.



Replacement Parts List

Part Name	Model Number
Fill Valve	C7702-7
Flush Valve	C7702-6
Flush Valve Seal	C7702-SS



Questions, problems, missing parts? Before returning to the store, call
Glacier Bay Customer Service
8 a.m. – 7 p.m., EST, Monday-Friday, 9 a.m. – 6 p.m., EST, Saturday

1-855-HD-GLACIER

[HOMEDEPOT.COM/GLACIERBAY](https://www.homedepot.com/glacierbay)

Retain this manual for future use.

GUÍA DE USO Y CUIDADO

INODORO ALARGADO TODO EN UNO DE ALTA EFICIENCIA



¿Tiene preguntas o problemas, o le faltan piezas? Antes de devolver a la tienda,
llame al servicio de atención al cliente de Glacier Bay
Lunes a viernes de 8:00 a.m. a 7:00 p.m., EST, y los sábados de 9:00 a.m. a 6:00 p.m., EST

1-855-HD-GLACIER

HOMEDEPOT.COM/GLACIERBAY

GRACIAS

Agradecemos la confianza que ha depositado en Glacier Bay mediante la compra de este inodoro. Nos esforzamos continuamente para crear productos de calidad diseñados para mejorar su hogar. Visítenos en línea para ver nuestra línea completa de productos disponibles para sus necesidades de mejoramiento del hogar. ¡Gracias por elegir Glacier Bay!

Índice

Índice.....	12	Instalación.....	15
Información de seguridad.....	12	Cuidado y limpieza.....	18
Garantía.....	12	Resolución de problemas.....	18
Antes de la instalación.....	13		
Planificación de la instalación.....	13	Inglés (English).....	1-10
Herramientas requeridas.....	13		
Herraje incluido.....	13		
Contenido del paquete.....	14		

Información de seguridad



ADVERTENCIA: Manipular con cuidado. Si la porcelana vítrea se rompe es como un vidrio con los bordes filosos. No la deje caer, manipule con descuido o apriete excesivamente los pernos.



ADVERTENCIA: Riesgo de gases peligrosos. Si no instala de inmediato el inodoro nuevo, tape temporalmente el orificio de la brida de piso con una toalla (o tapa) para evitar que escapen los gases de albañal.



PRECAUCIÓN: Respete las normas locales de plomería y construcción.

Garantía

GARANTÍA LIMITADA DE POR VIDA

Los productos de Glacier Bay se fabrican con estándares y mano de obra de calidad superior y están respaldados por nuestra garantía limitada de por vida. Los productos de Glacier Bay están garantizados al comprador original de estar libre de defectos en materiales o mano de obra. Reemplazaremos GRATIS cualquier producto o pieza que se pruebe que está defectuoso. Simplemente, devuelva el producto / pieza a cualquiera de las tiendas minoristas de The Home Depot o llame al 1-855-HD-GLACIER (1-855-434-5224) para recibir el artículo de reemplazo. Se debe presentar el comprobante de compra (recibo original de la compra) del comprador original para todas las reclamaciones de garantía de Glacier Bay.

Esta garantía excluye los daños incidentales/inconsecuentes y los fallos debidos al uso indebido, abuso o desgaste normal. Esta garantía excluye todos los usos industriales, comerciales y de negocios, a cuyos compradores se les extiende por el presente una garantía limitada de cinco años a partir de la fecha de compra, siendo todos los demás términos de esta garantía aplicables excepto su duración.

Algunos estados y provincias no permiten la exclusión o limitación de los daños incidentales o consecuenciales, por lo que es posible que las limitaciones anteriores no apliquen para usted. Esta garantía le otorga derechos legales específicos y usted también puede tener otros derechos que varían de un estado a otro y de provincia a provincia. Visite una tienda o llame al 1-855-HD-GLACIER para obtener más detalles.

Comuníquese con el equipo de servicio al cliente al 1-855-HD-GLACIER o visite www.HomeDepot.com/GLACIERBAY.

Antes de la instalación

PLANIFICACIÓN DE LA INSTALACIÓN

Antes de empezar a instalar este producto, asegúrese de que estén todas las piezas. Compare las piezas con el Herraje Incluido y con las listas de Contenido de los Paquetes. Si falta alguna pieza o está dañada, no intente armar, instalar o usar el producto. Comuníquese a Atención al Cliente para solicitar piezas de repuesto

El inodoro funciona mejor si hay un espacio entre la pared acabada y la parte posterior del tanque. Confirme que haya espacio suficiente entre la pared y la parte posterior del tanque antes de la instalación. Si el tanque está demasiado cerca a la pared o la toca, intente halar la taza hacia adelante sobre la brida todo lo que pueda.

Tiempo estimado de montaje: 60 minutos

HERRAMIENTAS NECESARIAS



Espátula



Nivel

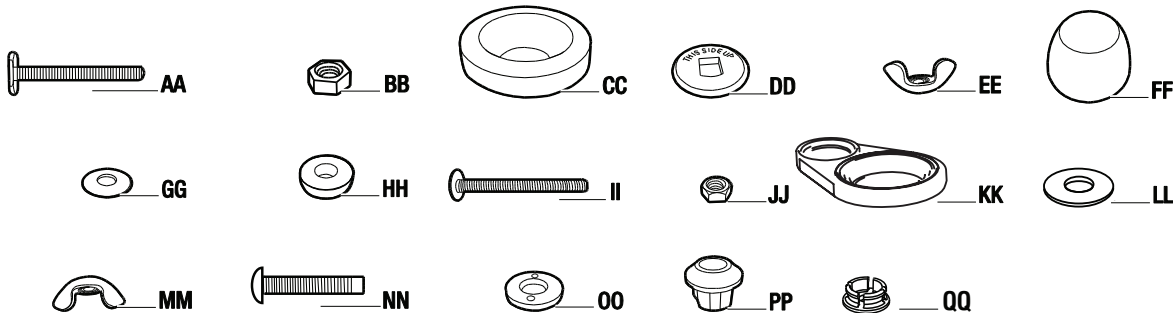


Línea de suministro de agua al inodoro

HERRAJE INCLUIDO



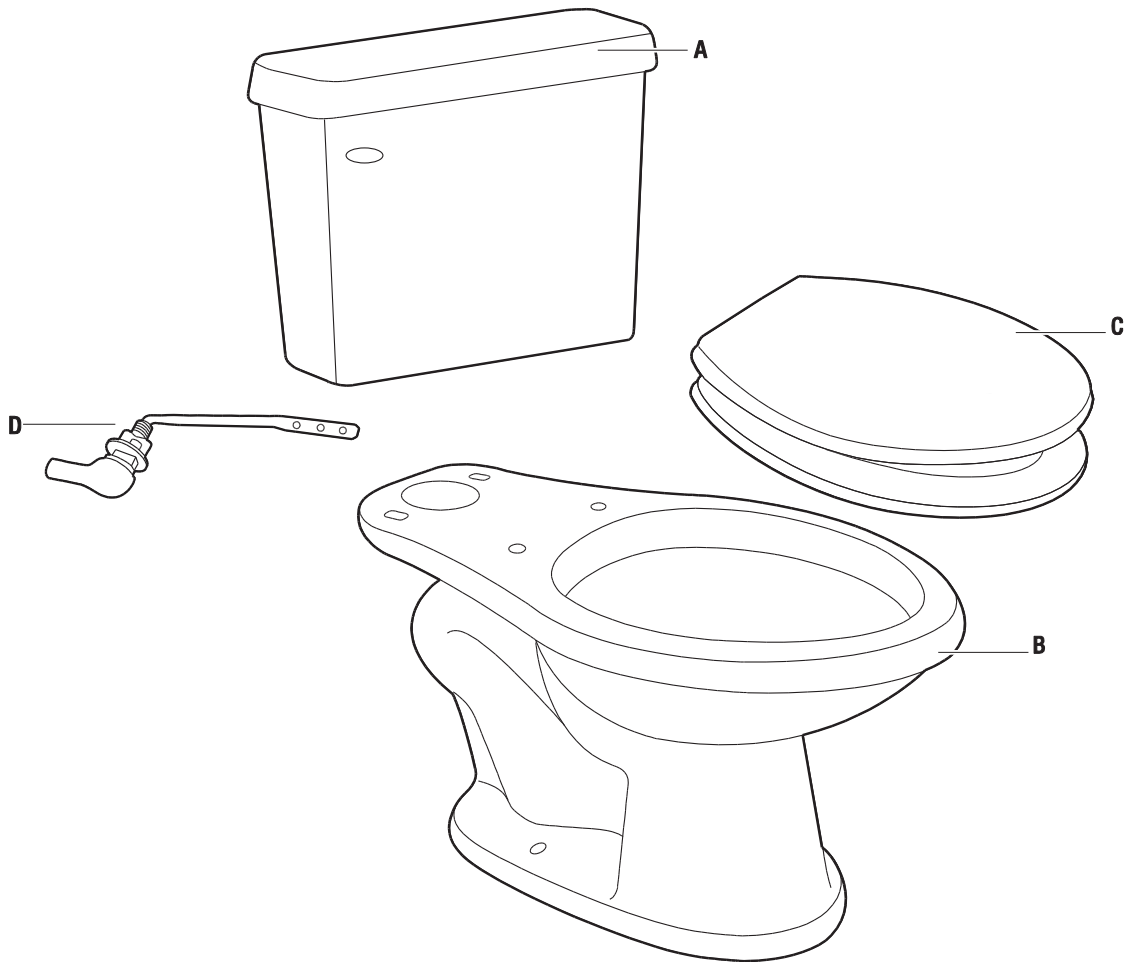
NOTA: El herraje no se muestra en su tamaño real.



Pieza	Descripción	Cantidad
AA	Perno de piso (ubicado en la caja del anillo de cera)	2
BB	Tuerca hexagonal del perno de piso (ubicada en la caja del anillo de cera)	2
CC	Anillo de cera (ubicado en la caja del anillo de cera)	1
DD	Disco plástico	2
EE	Tuerca de mariposa del perno de piso (ubicada en la caja del anillo de cera)	2
FF	Tapón de perno	2
GG	Arandela de cobre (preensamblada al tanque (A))	2
HH	Arandela de goma (preensamblada al tanque (A))	2
II	Perno (preensamblado al tanque (A))	2
JJ	Tuerca hexagonal (preensamblada al tanque (A))	2
KK	Junta selladora de goma	1
LL	Arandela metálica redonda	2
MM	Tuerca de mariposa	2
NN	Perno de fijación (ubicado en la caja del asiento)	2
OO	Arandela del asiento del inodoro (ubicada en la caja del asiento)	2
PP	Contratuerca (ubicada en la caja del asiento)	2
QQ	Inserto de bisagra del asiento (preensamblado al asiento con tapa (C))	2

Antes de la instalación (continuación)

CONTENIDO DEL PAQUETE



Pieza	Descripción	Cantidad
A	Tanque con tapa	1
B	Taza del inodoro	1
C	Asiento con tapa	1
D	Conjunto de la palanca del inodoro (preinstalado)	1

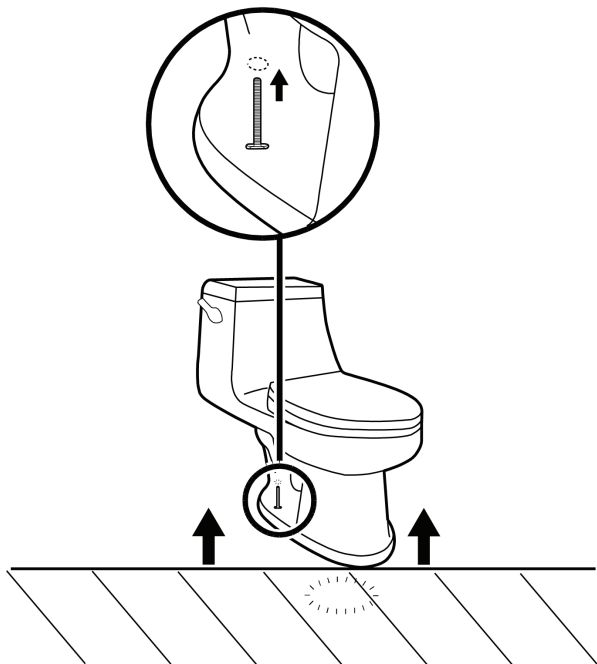
Instalación

1 Desmontaje del inodoro antiguo

- Corte el suministro de agua y drene el tanque por completo. Saque el agua restante en el tanque y la taza con una toalla o esponja.
- Desconecte y quite la línea de suministro de agua antigua.
- Quite los tapones de perno y las tuercas de los pernos de piso para separar la taza del suelo.
- Quite los pernos de piso de la brida del inodoro y limpie la cera vieja, la masilla y el sellador del área de la base.
- Tape temporalmente la brida de piso con una toalla o tapa para evitar que escapen los gases de albañal.

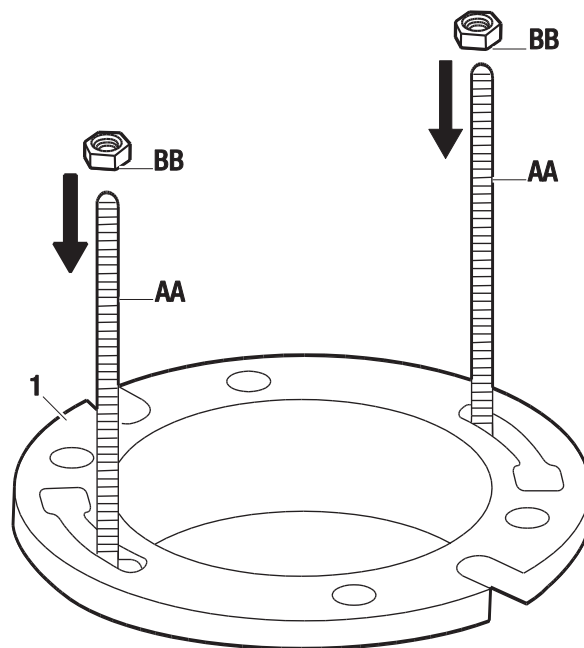


NOTA: La superficie de montaje debe estar limpia y nivelada antes de instalar el inodoro nuevo.



2 Instalación de los pernos de piso

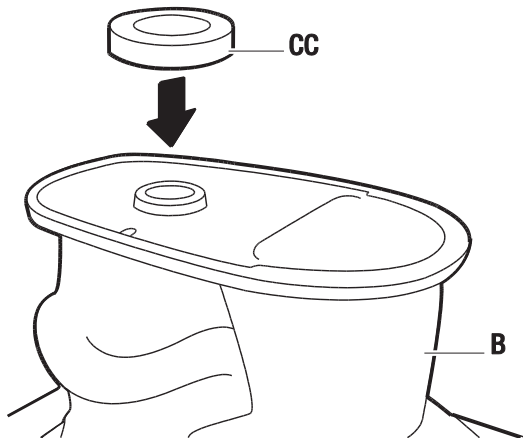
- Inserte los pernos de piso (AA) en las ranuras de la brida del inodoro (1) con las cabezas de los pernos hacia abajo y la rosca hacia arriba. La cabeza de los pernos de piso (AA) debe estar perpendicular a la abertura de la ranura en la brida del inodoro.
- Asegúrese de que los pernos de piso (AA) estén paralelos a la pared. Cuando estén colocados, apriete a mano las tuercas hexagonales (BB) sobre los pernos de piso (AA) para fijarlos.



Instalación (continuación)

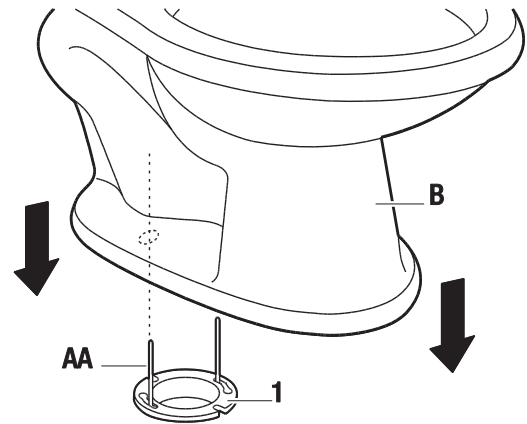
3 Instalación del anillo de cera

- Voltee la taza del inodoro (B) sobre una toalla o una superficie acolchada. Con el extremo redondeado (ahusado) del anillo de cera (CC) orientado hacia el inodoro, coloque el anillo de cera (CC) alrededor del anillo de salida elevado de la taza (B) y haga presión suficiente de modo que el anillo de cera (CC) se adhiera a la taza (B). Si el anillo de cera suministrado tiene una extensión cónica negra, esta debe estar orientada en dirección opuesta al inodoro.



4 Instalación del inodoro

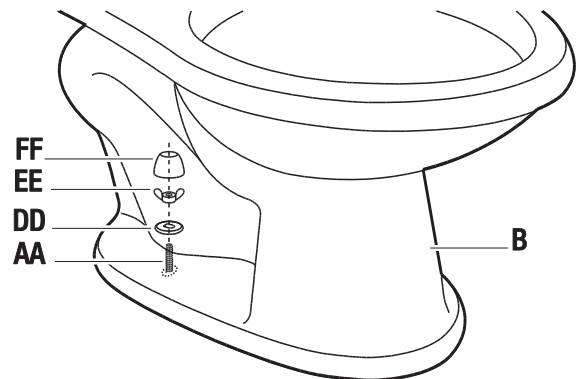
- Coloque la taza del inodoro (B) sobre la brida del inodoro (1) alineada con los pernos de piso (AA) de modo que sobresalgan por las ranuras en la base de la taza del inodoro (B). Haga presión sobre la taza del inodoro (B).



NOTA: Recuerde quitar la tapa temporal de la brida de piso antes de colocar la taza del inodoro.

5 Fijación del inodoro

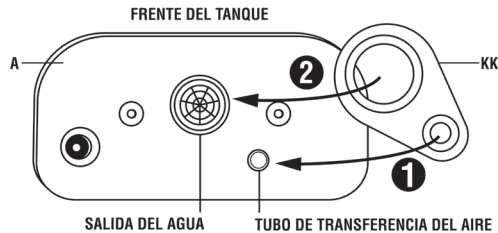
- Desde la parte posterior del inodoro (B), coloque los discos plásticos (DD) sobre los pernos de piso (AA), dejando la marca "this side up" (este lado arriba) del lado superior de los discos.
- Apriete las tuercas de mariposa (EE) sobre los pernos de piso (AA) para fijar la posición de los discos plásticos (DD).
- Coloque las cubiertas de los tapones de perno (FF) sobre los pernos de piso (AA) de modo que encajen en su lugar.



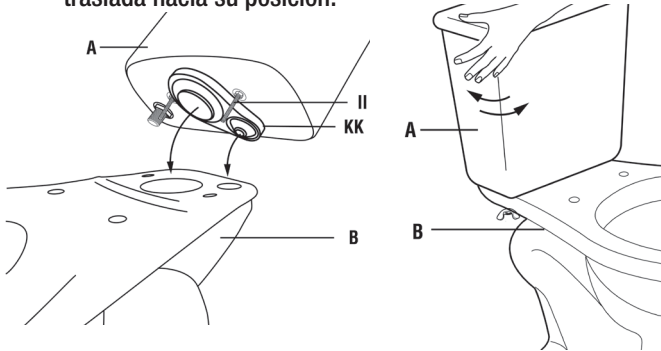
Instalación (continuación)

6 Instalación del tanque

- Fija la junta selladora (KK) debajo del tanque (A). Para mejores resultados, ajusta primero la junta (KK) en el tubo (pequeño) de transferencia de aire y enseguida alrededor de la salida más grande de agua.



- Coloca el tanque (A) sobre la taza del inodoro (B) con los pernos (II) sobresaliendo por debajo.
- Con las manos colocadas en cada lado de la parte superior del tanque, presiona hacia abajo al tiempo que imprimes al tanque un ligero movimiento de meneo/rotación para asegurar que quede bien asentado. Al hacerlo así pudieras percibir un corto desplazamiento a medida que el tanque se traslada hacia su posición.

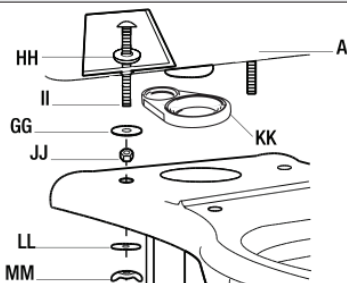


NOTA: Es importante que el tanque quede bien alineado sobre la taza para garantizar la correcta función de vacío y optimizar así el rendimiento del inodoro.

- Coloque una arandela metálica redonda (LL) y una tuerca de mariposa (MM) sobre cada perno sobresaliente (II).
- Aprieta las tuercas de mariposa (MM) lo suficiente para que el tanque (A) quede nivelado y seguro sobre la taza de inodoro (B). Comienza por ajustar primero en el lado opuesto al lado de la manija y seguidamente ve alternando de un lado a otro hasta dejar bien ajustado. Asegura que el tanque (A) quede paralelo a la pared y perpendicular con la taza de inodoro (B).



PRECAUCIÓN: No apriete las tuercas excesivamente. Puede causar daños graves.

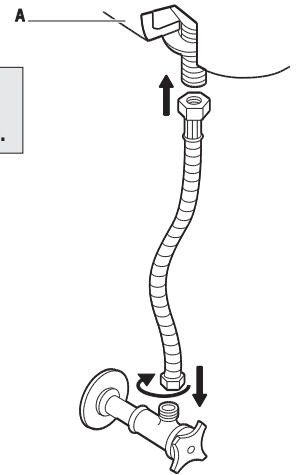


7 Conexión de la línea de suministro de agua

- Conexión de la línea de suministro de agua (no incluida) entre el tanque (A) y la válvula de cierre.
- Apriete la tuerca de acoplamiento de conexión del tanque $\frac{1}{4}$ de vuelta más después del ajuste a mano.
- Abra la válvula de alimentación y deje que el tanque (A) se llene.
- Verifique si hay fugas en todas las conexiones y apriete o corrija según sea necesario.

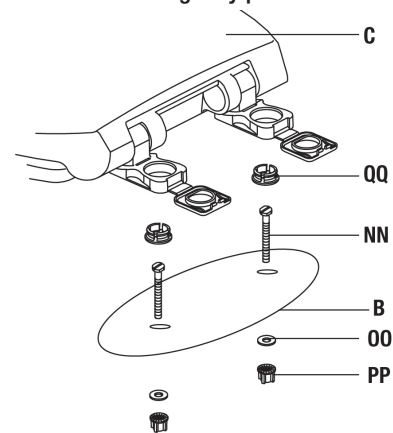


NOTA: No apriete de más la conexión del tanque.



8 Instalación del asiento con tapa

- Coloque el asiento del inodoro con tapa (C) en el inodoro (B) con las bisagras planas y las cubiertas de las bisagras abiertas; alinear con los orificios de los pernos del inodoro (B).
- Inserte el perno de fijación (NN) a través del inserto de la bisagra del asiento (QQ) de modo que los pernos (NN) sobresalgan por las aberturas del inodoro (B).
- Ajuste la posición del asiento del inodoro (C) para que se acomode mejor a la forma del inodoro (B).
- Coloque la arandela (OO) y la contratuerca (PP) sobre el perno de fijación (NN) desde el lado inferior del inodoro (B). Apriete la contratuerca (PP) con firmeza para fijar el asiento (C) al inodoro (B).
- Cierre las cubiertas de las bisagras y presione con firmeza para fijarlas.



Cuidado y limpieza

Su inodoro nuevo está hecho de porcelana vítrea resistente a manchas, ácido y abrasiones. Limpie la superficie externa con jabón suave, agua tibia y un paño suave. Use un detergente en polvo y una esponja húmeda o una almohadilla de nailon con las manchas persistentes. Nunca utilice polvos, líquidos o almohadillas de limpieza abrasivos ya que rayarán, dañarán y estropearán la superficie. El fabricante no será responsable de cualquier daño a accesorios del tanque causados por el uso de limpiadores que contengan cloro (hipoclorito de calcio). Cuando limpie el asiento del inodoro, lávelo con agua y jabón suave. Enjuague bien el asiento con agua limpia y seque con un paño suave. Evite usar detergentes, desinfectantes o productos de limpieza en forma de aerosol. **NUNCA** utilice polvos de limpieza abrasivos en el asiento. Algunas sustancias químicas para baño pueden causar daños al acabado del asiento, por lo tanto, pruebe la solución de limpieza sobre un área poco llamativa antes de aplicarla sobre toda la superficie.



ADVERTENCIA: NO UTILICE LIMPIADORES DENTRO DEL TANQUE. Los productos que contienen cloro (hipoclorito de calcio) pueden causar daños graves a los accesorios del tanque y así causar fugas, uso excesivo de agua y daños a la propiedad.

Cómo quitar el asiento del inodoro de liberación rápida para limpiarlo

- Abra las cubiertas de las bisagras.
- Sostenga el asiento del inodoro y la tapa en posición vertical. Agarre por ambos lados y tire recto hacia arriba.
- Para reinstalar, coloque el asiento sobre la taza y presione las bisagras de regreso a sus insertos. Cierre los insertos de las bisagras y presione con firmeza para fijarlos.
- Verifique que el asiento esté bien sujeto en su lugar.

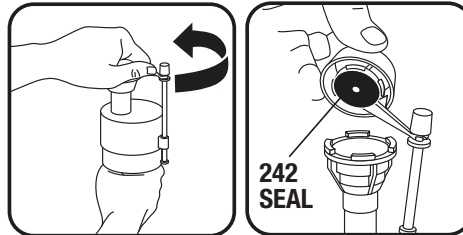
Resolución de problemas

Problema	Solución
The fill valve does not turn on, will not turn off, or will not refill the tank after the flush.	<ul style="list-style-type: none"><input type="checkbox"/> Quite la tapa superior y verifique si hay desechos. Si encuentra desechos o el flujo es débil, inspeccione si hay un bloqueo parcial en la sección inferior de la válvula de llenado. El bloqueo parcial puede darse en la válvula de cierre o en la línea de suministro de agua. (Consulte “EXTRACCIÓN DEL CONJUNTO DE LA TAPA DE LA VÁLVULA” y “DESCARGA DE DESECHOS”).<input type="checkbox"/> Si la válvula de llenado se ha estado utilizando por un tiempo y/o la cubeta del flotante no cae cuando descarga el tanque, reemplace el sello por un sello original Fluidmaster 242 (consulte “SI REEMPLAZA EL SELLO”).
Mala calidad en la descarga del inodoro.	<ul style="list-style-type: none"><input type="checkbox"/> Vuelva a asentar el tanque para garantizar la conexión apropiada. Afloja con varias vueltas las tuercas de mariposa que sujetan el tanque. Con las manos colocadas en ambos lados de la parte superior del tanque, presiona hacia abajo al tiempo que imprimes un ligero movimiento de me-neo/rotación para asegurar que el tanque quede bien asentado. Al hacerlo así pudieras percibir un corto desplazamiento a medida que el tanque se traslada hacia su posición.<input type="checkbox"/> Asegúrese de que el nivel del agua del tanque llegue a la línea del agua impresa en el tubo de desborde de la válvula de descarga. Para aumentar el nivel de agua, gire el tornillo de ajuste en la válvula de llenado en sentido horario para elevar la cubeta del flotante.<input type="checkbox"/> Asegúrese de que la cadena de la palanca de descarga no esté demasiado holgada. Ajuste la longitud de la cadena para asegurarse de que el sello de la válvula de descarga se cierre por completo y que solo quede algo de juego entre la palanca de descarga y la cadena.
El agua sigue corriendo.	<ul style="list-style-type: none"><input type="checkbox"/> Compruebe que el sello de la válvula de descarga esté completamente cerrado. Quite todo desecho del sello de la válvula de descarga y el área de sellado de la válvula de descarga que pueda estar obstruyendo el cierre completo.<input type="checkbox"/> Compruebe que la cadena de la palanca de descarga no esté demasiado corta. Ajuste la longitud de la cadena para asegurarse de que el sello de la válvula de descarga se cierre por completo y que solo quede algo de juego entre la palanca de descarga y la cadena.

Resolución de problemas (continuación)

EXTRACCIÓN DEL CONJUNTO DE LA TAPA DE LA VÁLVULA

Corte el suministro de agua y drene el tanque. Empuje el flotante hacia arriba con la mano derecha (ver la imagen). Agarre y sostenga el eje por debajo del flotador con la mano derecha. Con la mano izquierda, gire la tapa y la palanca 1/8 de vuelta en sentido antihorario para desbloquear la tapa superior. Presionar hacia abajo puede ayudar en válvulas más viejas. Deje que la cubeta del flotante salga del conjunto de la tapa.



DESCARGA DE DESECHOS

Sostenga la cubeta invertida sobre la válvula sin la tapa para evitar las salpicaduras. Abra y cierre el suministro de agua varias veces. Corte el suministro de agua cuando vuelva a colocar la tapa de la válvula.



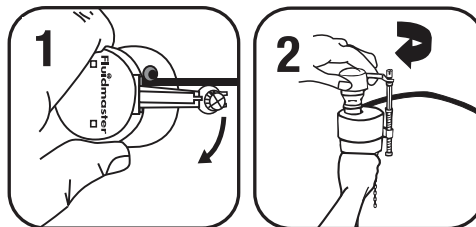
SI REEMPLAZA EL SELLO

Use solo un sello original Fluidmaster 242.



VOLVER A COLOCAR LA TAPA DE LA VÁLVULA

1. Coloque el conjunto de la tapa encima del cuerpo de la válvula gris alineando el brazo de la tapa y la vara de ajuste junto al tubo de llenado.
2. Presione la tapa superior hacia abajo mientras gira el brazo superior en sentido horario hacia la posición de bloqueo.



Lista de piezas de repuesto

Nombre de la pieza	Número de modelo
Válvula de llenado	C7702-7
Válvula de descarga	C7702-6
Sello de la válvula de descarga	C7702-SS



¿Tiene preguntas o problemas, o le faltan piezas? Antes de devolver a la tienda,
llame al servicio de atención al cliente de Glacier Bay
Lunes a viernes de 8:00 a.m. a 7:00 p.m., EST, y los sábados de 9:00 a.m. a 6:00 p.m., EST

1-855-HD-GLACIER

[HOMEDEPOT.COM/GLACIERBAY](https://www.homedepot.com/glacierbay)

Guarde este manual para su uso futuro.