

**TOWNSEND® ABOVE COUNTER SINK
and OPTIONAL FURNITURE**

- 0329.004** Faucet holes on 4" (102mm) centers
- 0329.008** Faucet holes on 8" (203mm) centers
- 0329.001** Faucet holes - center hole only (illustrated)
 - Fine fireclay
 - Rectangular above counter sink
 - Front overflow
 - Sink has glazed back wall
 - **Design coordinates with Townsend Collection**
 - Supplied with cut-out template
 - Sink can be used with design matched quartz top with vanity or washstand furniture

Bowl size:

16" (405 mm) wide
 11" (280 mm) front-to-back
 5" (128 mm) deep

Nominal Dimensions:

Above Counter Sink Only:
 24" x 17-1/2" (610 x 454 mm)

Above Counter Sink and Furniture Combinations:
 30" x 20" x 36-3/8" (762 x 508 x 923mm)

- 9036.030** 30" (762mm) vanity less drawer pulls
- 7760.000** Drawer pulls (set of 2) for 30" (762mm) vanity
- 9039.030** 30" (762mm) washstand less towel bar
- 3749.000** Towel bar for 30" (762mm) washstand
- 7840.000.820** Quartz top for above counter sink
- 7720.018** Optional decorative p-trap drain

Compliance Certifications -

Meets or Exceeds the Following Specifications:

- ASME A112.19.2/CSA B 45.1

To Be Specified:

- Chinaware Color: White Linen
- Vanity Finish: White Smoked Grey
- Vanity Drawer Pulls Finish: Chrome Brushed Nickel
- Washstand Finish: White Smoked Grey
- Washstand Towel Bar Finish: Chrome Brushed Nickel
- Faucet*:
- Supplies:
- P-Trap Finish: Chrome Brushed Nickel

* See Townsend faucet section for models available



**MEETS THE AMERICANS WITH DISABILITIES ACT GUIDELINES
AND ICC ANSI A117.1 ACCESSIBLE AND USABLE
BUILDINGS AND FACILITIES - CHECK LOCAL CODES.**

Install lavatory 864mm (34") from finished floor.
 Lavatory installed 102mm (4") minimum from front edge
 of countertop provides 686mm (27") knee clearance area.
 Not compliant when used with optional furniture.

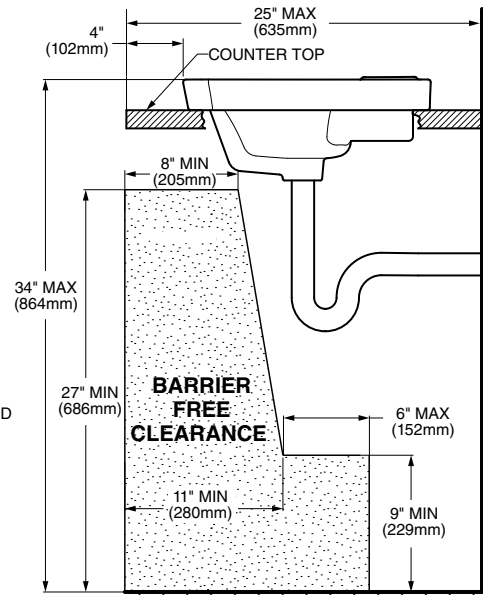
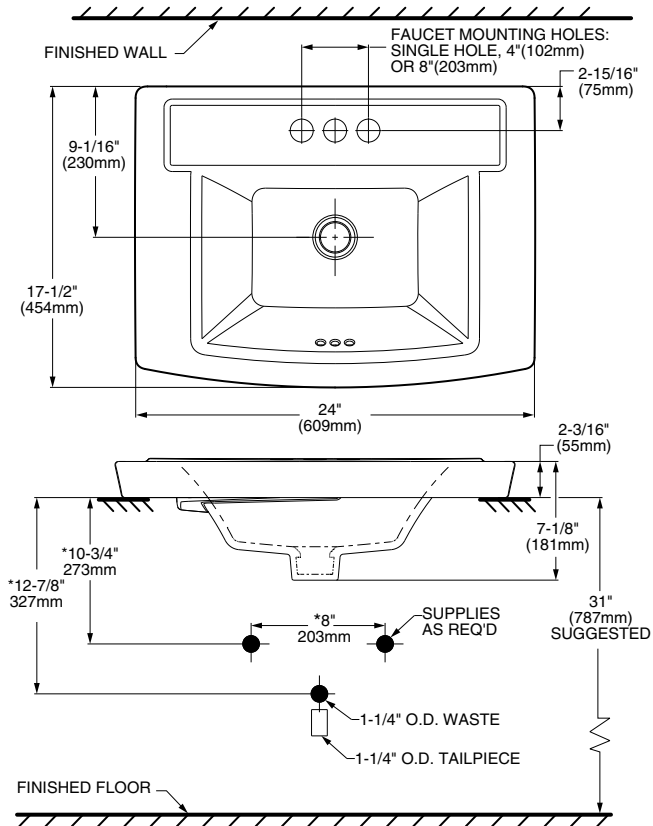


Townsend above counter sink 0329.001

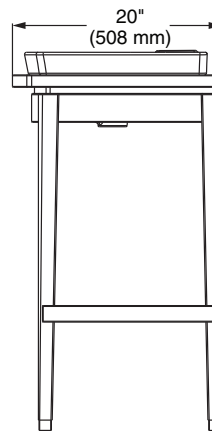
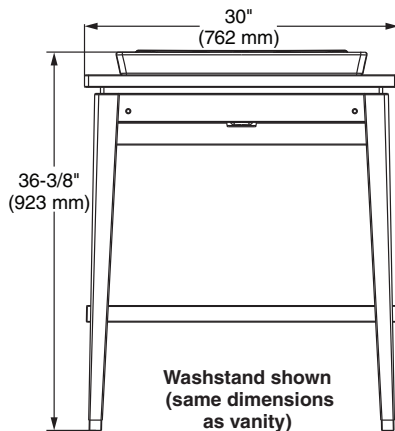


Townsend above counter sink 0329.008
 shown with 7840.000.820 quartz top and
 9039.030 washstand and 3749.000 towel bar
 plus 7720.018 p-trap drain

SEE REVERSE FOR ROUGHING-IN DIMENSIONS



SUGGESTED ADA INSTALLATION



NOTES:

* DIMENSIONS SHOWN FOR LOCATION OF SUPPLIES AND "P" TRAP ARE SUGGESTED. FITTINGS NOT INCLUDED WITH FIXTURE AND MUST BE ORDERED SEPARATELY. FOR COUNTERTOP CUTOUT AND INSTALLATION INSTRUCTIONS USE TEMPLATE SUPPLIED WITH SINK. FURNITURE SPECIFIC INSTRUCTIONS SUPPLIED WITH OPTIONAL FURNITURE.

IMPORTANT: Dimensions of fixtures are nominal and may vary within the range of tolerances established by ANSI Standard A112.19.2. These measurements are subject to change or cancellation. No responsibility is assumed for use of superseded or voided pages.

TOWNSEND® PEDESTAL SINK

- 0328.800** Faucet holes on 8" (203mm) centers (Illustrated)
- 0328.400** Faucet holes on 4" (102mm) centers
- 0328.100** Center hole only
 - Fine fireclay
 - Classic styled rectangular pedestal lavatory
 - Rear overflow
 - Supplied with mounting kit
 - Right Height® for greater comfort during use
 - Faucet ledge with large deck area (faucet not included)
 - **Design coordinates with Townsend® Fixtures and Faucets**



Nominal Dimensions:

30" x 19-1/2"
(762 x 495mm)

35-1/4" height
(895mm)

SEE REVERSE FOR ROUGHING-IN DIMENSIONS

- 0328.008** Pedestal top-8" (203mm) centers
- 0328.004** Pedestal top-4" (102mm) centers
- 0328.001** Pedestal top-center hole only
- 0039.001** Pedestal only

Bowl sizes:

19" (485mm) wide,
12-3/4" (324mm) front to back,
5" (128mm) deep

Compliance Certifications -

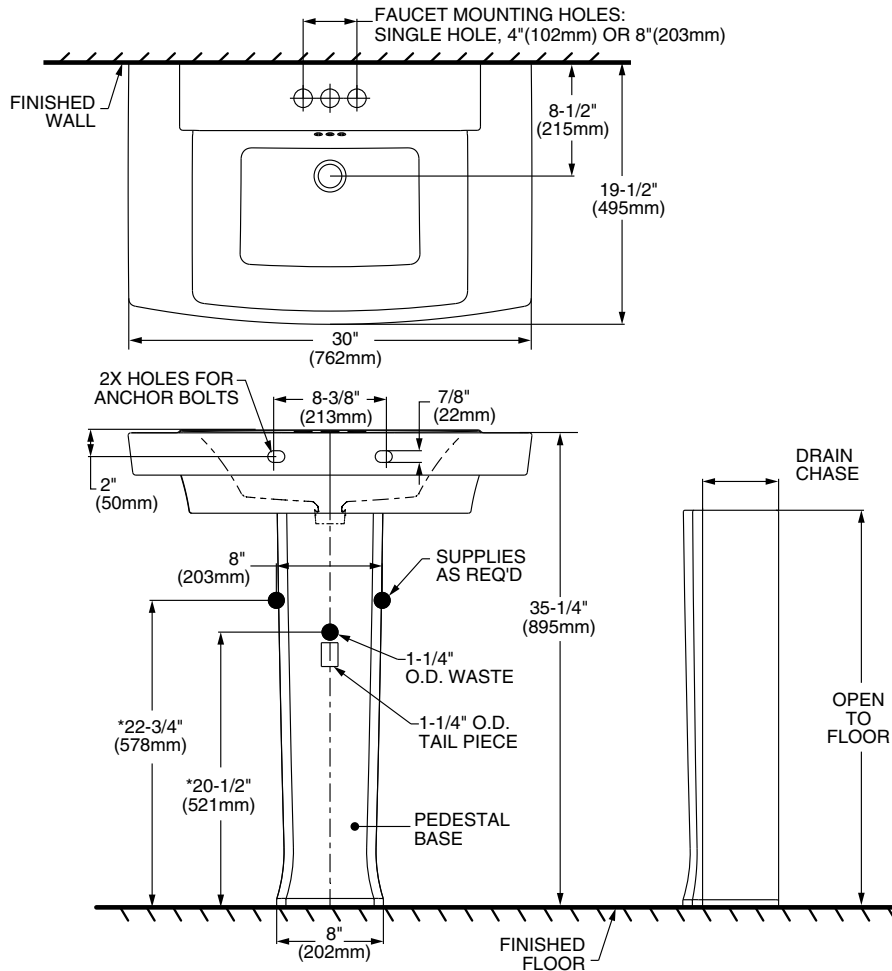
Meets or Exceeds the Following Specifications:

- ASME A112.19.2/CSA B45.1

To Be Specified:

- Color: White Linen
- Faucet Finish:
- Supplies:
- 1-1/4" Trap:
- Nipple:

* See faucet section for additional models available



NOTES:

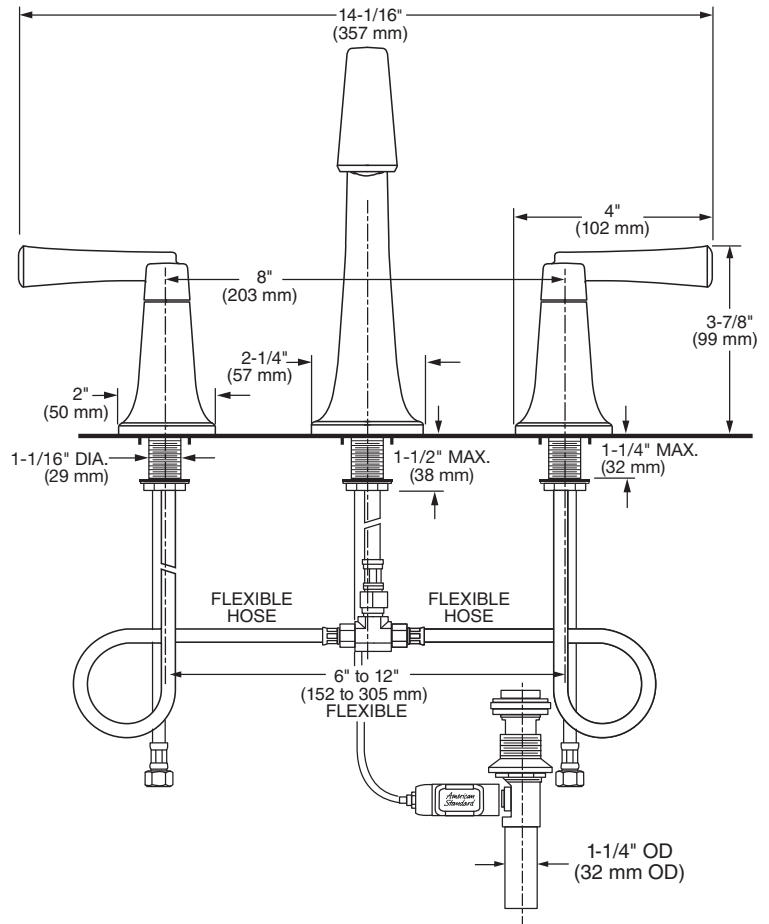
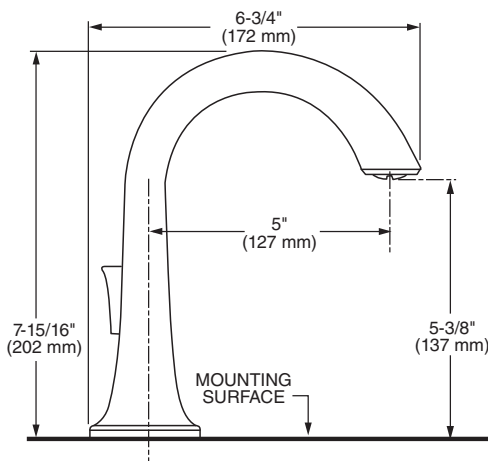
* DIMENSIONS SHOWN FOR LOCATION OF SUPPLIES AND "P" TRAPS ARE SUGGESTED.

▼ PEDESTAL ANCHORING SCREWS NOT INCLUDED.

■ SUITABLE FOR REINFORCEMENT ONLY. ACTUAL DIMENSIONS MUST BE TAKEN FROM FIXTURE.

FITTING NOT INCLUDED AND MUST BE ORDERED SEPARATELY. PROVIDE SUITABLE REINFORCEMENT FOR ALL WALL SUPPORTS. INSTALLATION INSTRUCTIONS SUPPLIED WITH LAVATORY.

IMPORTANT: Dimensions of fixtures are nominal and may vary within the range of tolerance established by ANSI Standard A112.19.2. These measurements are subject to change or cancellation. No responsibility is assumed for use of superseded or voided pages.



GENERAL DESCRIPTION:

Cast brass valve bodies with flexible hose connections for 6" to 12" (152 mm to 305 mm) installations. 1/4 turn washerless ceramic disc valve cartridges. Cast brass spout. Cast brass inlet shanks and 24" stainless steel braided flexible supply hoses with 3/8" compression connectors. 20 inch (500 mm) long flexible stainless steel drain cable is pre-assembled to faucet body. Metal Speed Connect® drain body with 1-1/4 inch (32 mm) tail piece. 1.2 gpm/4.5 L/min. maximum flow rate.

PRODUCT FEATURES:

Brass Construction: Durable. Ideal for prolonged contact with water. Provides the finest surface of application of colors and finishes.

Cast Brass Valve Bodies: Durable. Ideal for prolonged contact with water.

Exclusive Speed Connect Metal Drain:

- Fewer parts. Installs in less time.
- No adjustments required - seals the first time, every time.
- Flexible stainless steel cable - installs effortlessly in tight spaces.

Lead Free: Faucet contains ≤ 0.25% total lead content by weighted average.

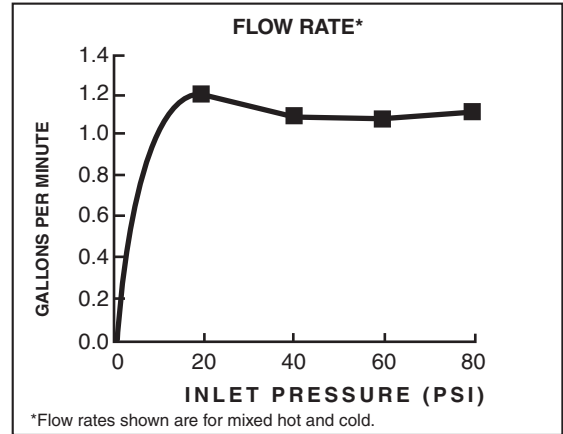
SUGGESTED SPECIFICATION

Two-handle widespread lavatory faucet shall feature cast brass valve bodies with flexible hose connections for 6" to 12" installations. Shall also feature 1/4 turn washerless ceramic disc valve cartridges. Shall also feature a metal drain body with stainless steel cable actuation. Fitting shall be American Standard Model #7353.801._____.

CODES AND STANDARDS

These products meet or exceed the following codes and standards:

- ANSI A117.1**
- ASME A112.18.1**
- NSF 61/Section 9 and Annex G**
- CSA B125.1**



Product Number	Description	Finish Options			
		Polished Chrome	PVD Polished Nickel	Legacy Bronze	PVD Brushed Nickel
		002	013	278	295
7353.801	Townsend Widespread with Metal Speed Connect® pop-up drain. Metal lever handles				



Meets the American Disabilities Act Guidelines and **ANSI A117.1** Requirements for the physically challenged.