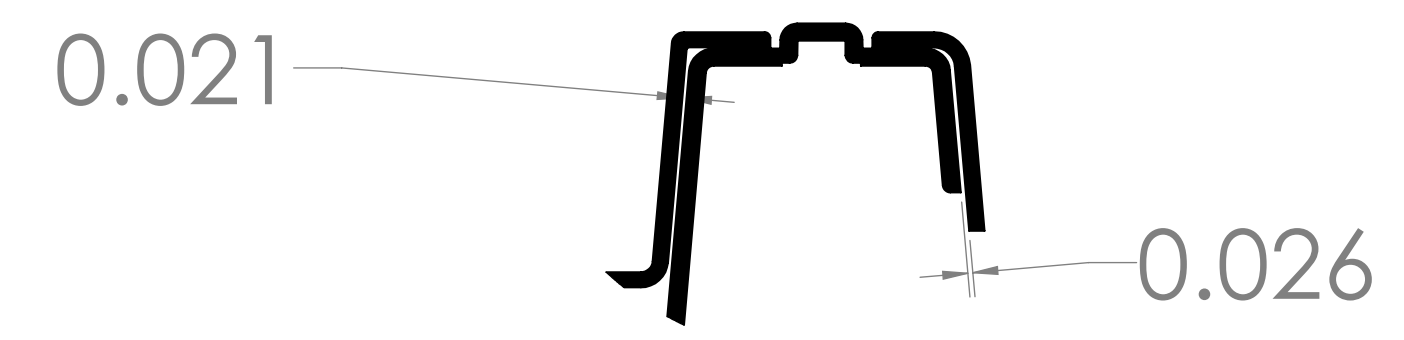
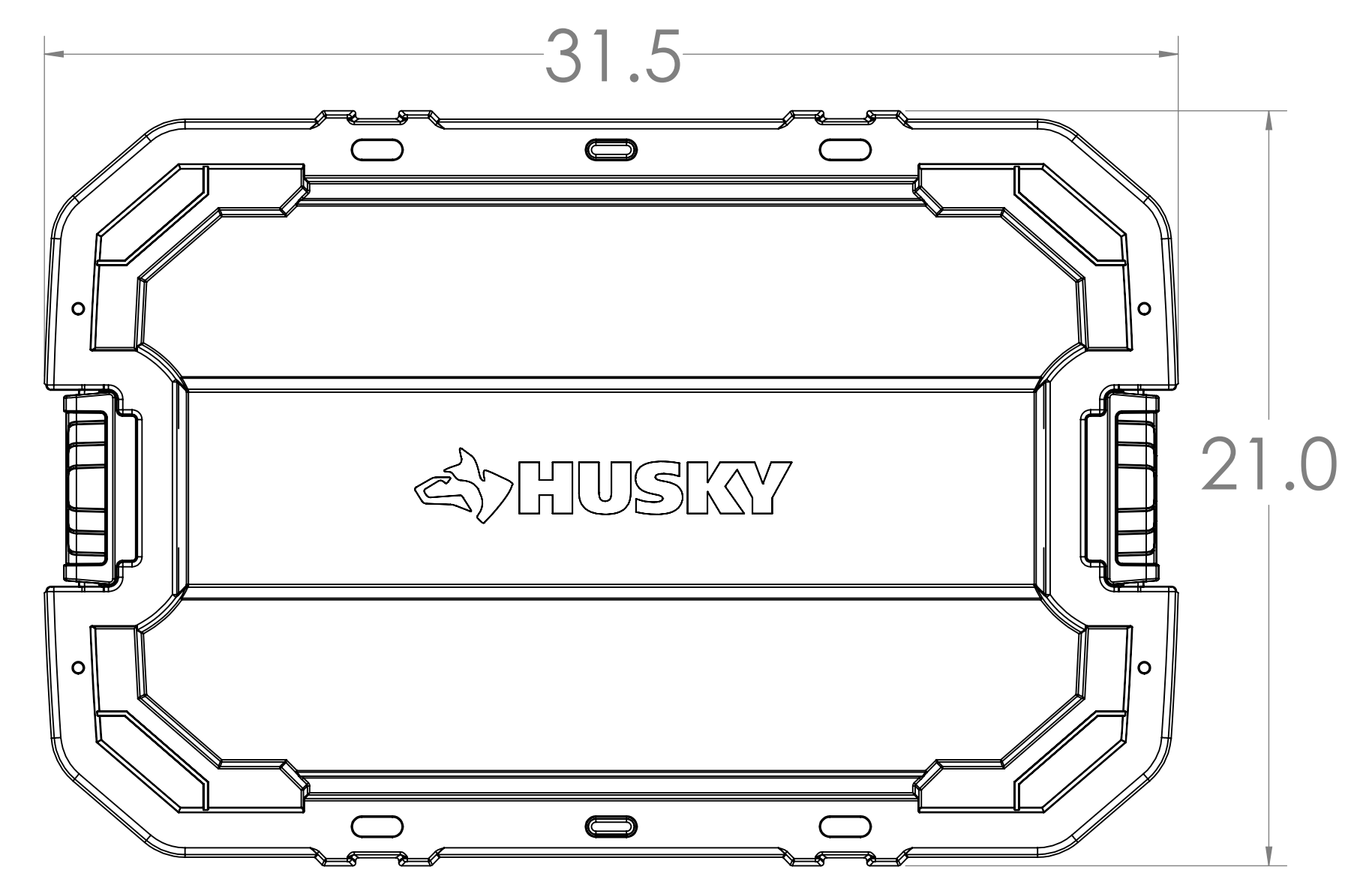
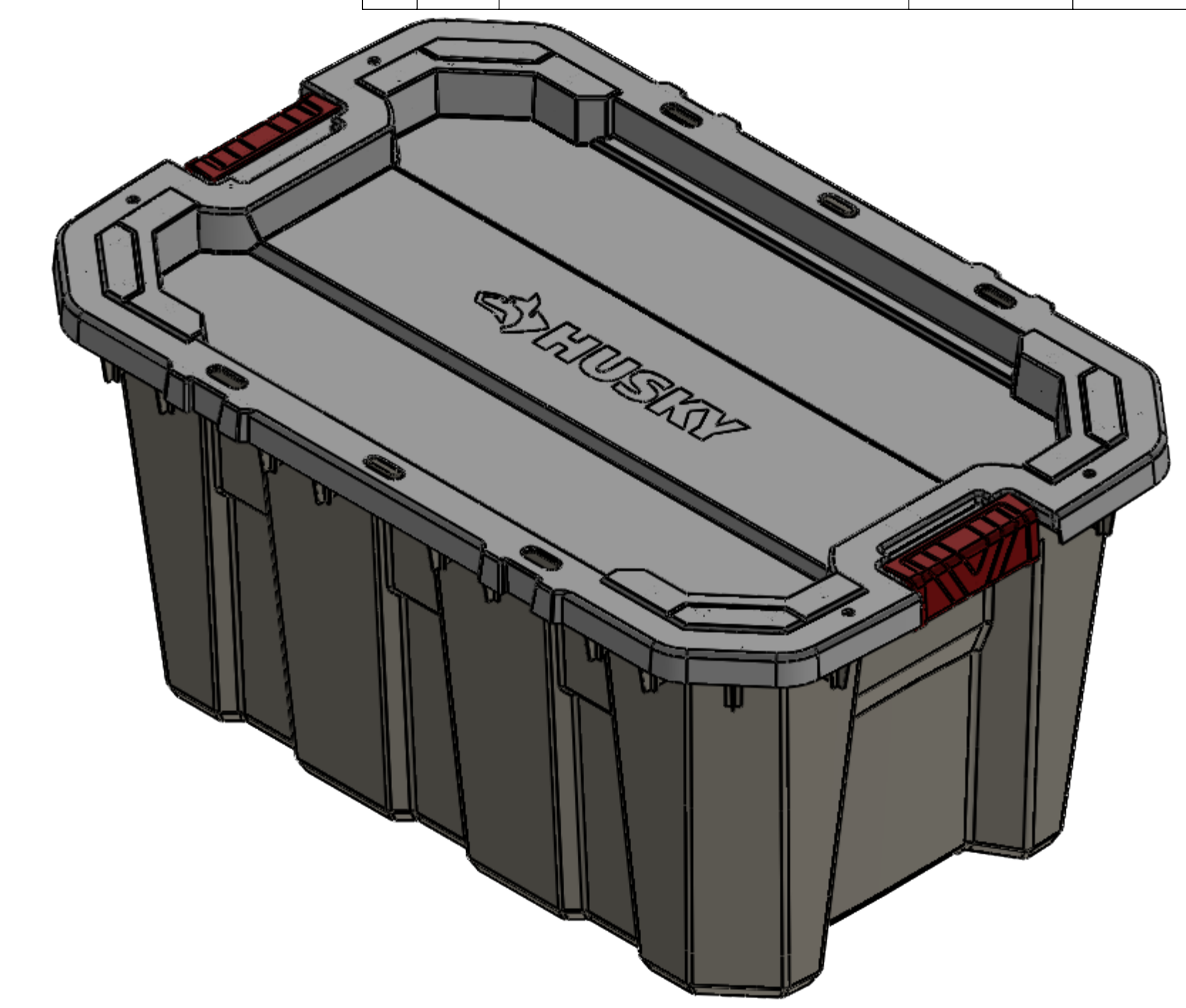
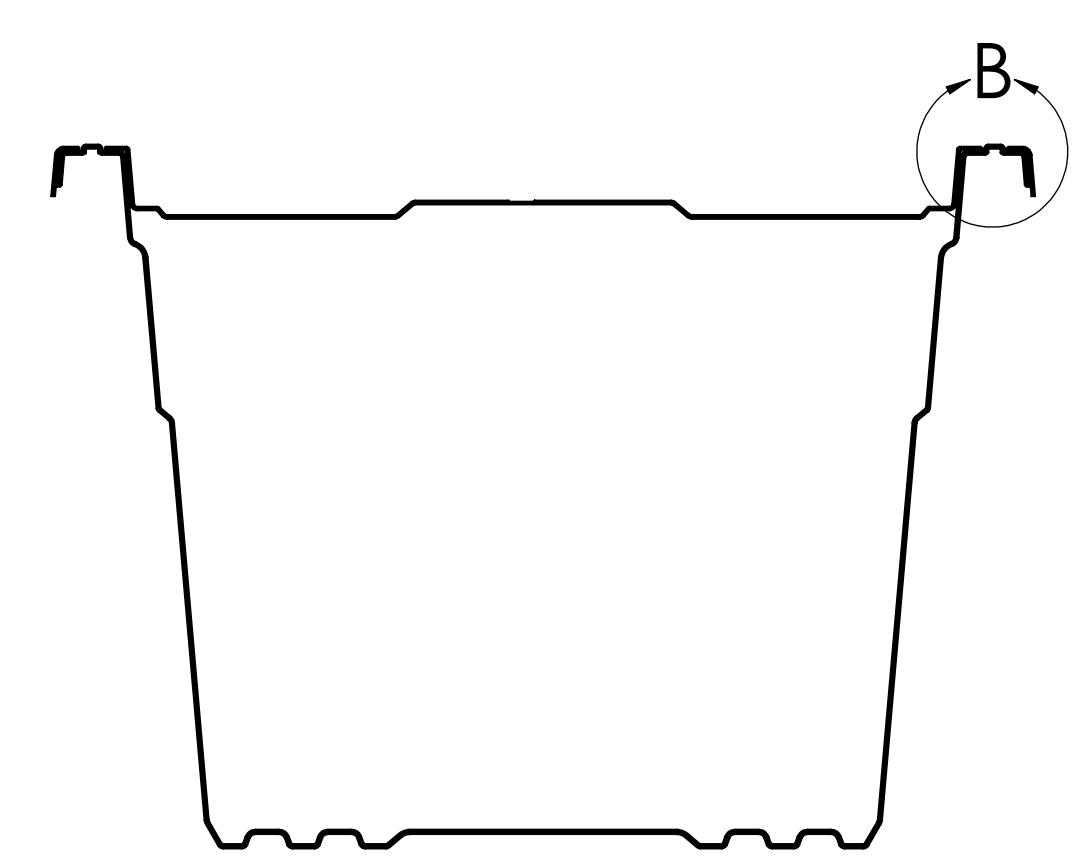


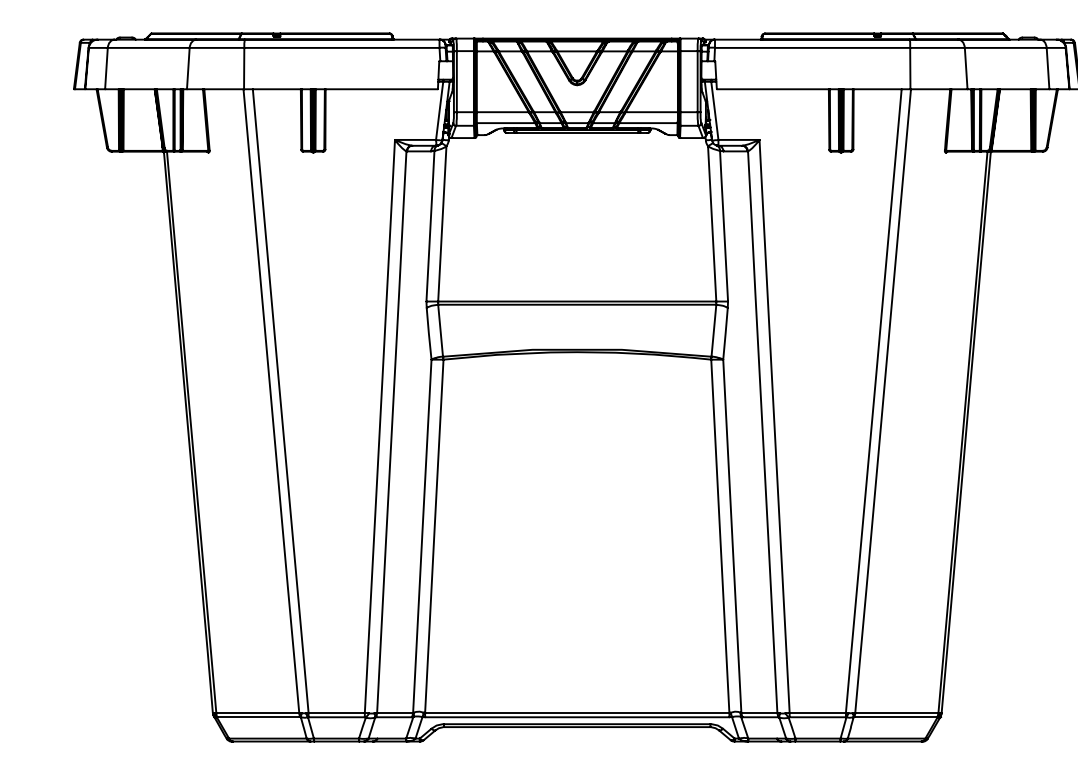
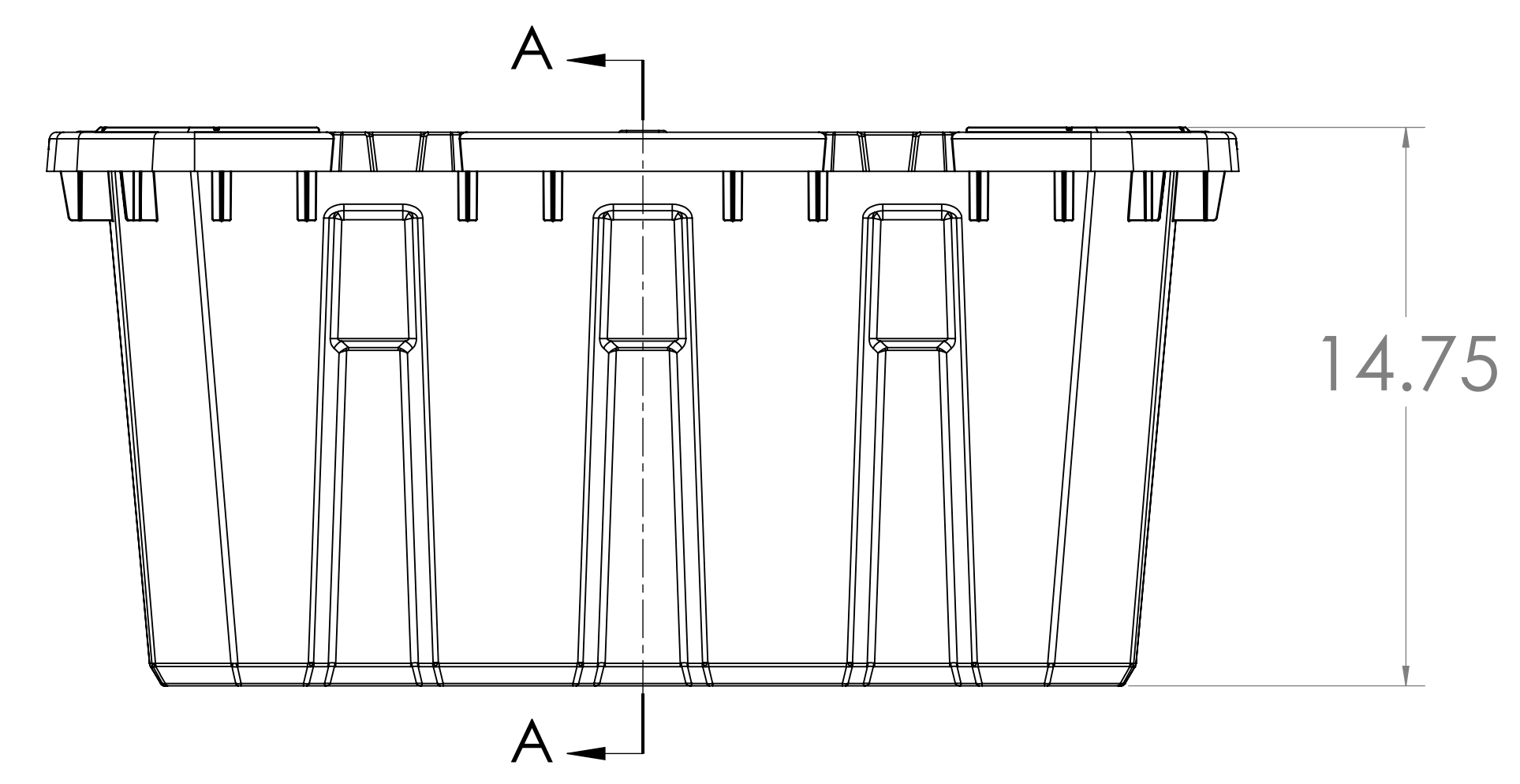
REVISIONS				
ZONE	REV.	DESCRIPTION	DATE	APPROVED



DETAIL B  
SCALE 1 : 1



SECTION A-A



ITEM NO.	DESCRIPTION	QTY.
1	25 Gallon Bin	1
2	Latch Handle	2
3	25 Gallon Lid	1

**CREATIVE PLASTIC**  
C.O.P.C. P.O.

TITLE: 25 Gallon Bin Assembly

SIZE DWG. NO. REV  
D 7814\_25 gal Assembly\_Home Depot

SCALE: 1:4 WEIGHT: SHEET 1 OF 1

UNLESS OTHERWISE SPECIFIED:  
DIMENSIONS ARE IN INCHES  
TOLERANCES:  
FRACTIONAL ±  
ANGULAR MATCH ± BEND ±  
TWO PLACE DECIMAL ±  
THREE PLACE DECIMAL ±

INTERPRET GEOMETRIC TOLERANCING PER:  
MATERIAL: PP Homopolymer  
FINISH:

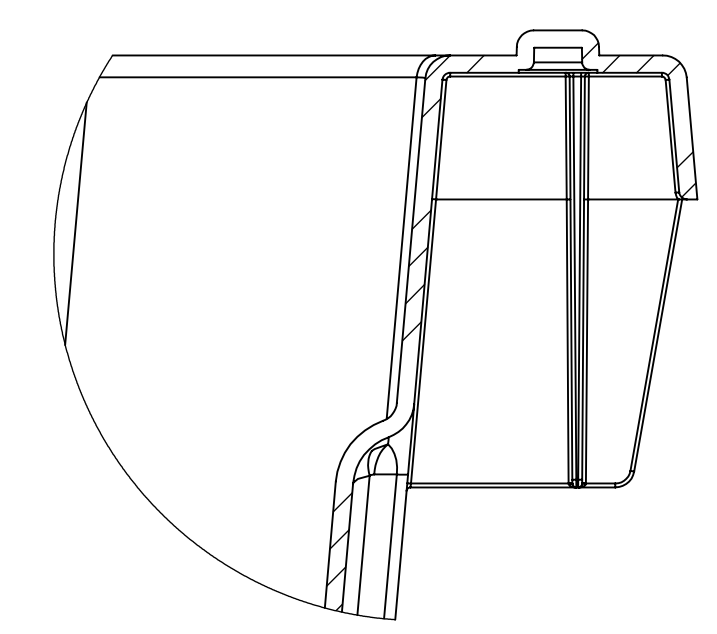
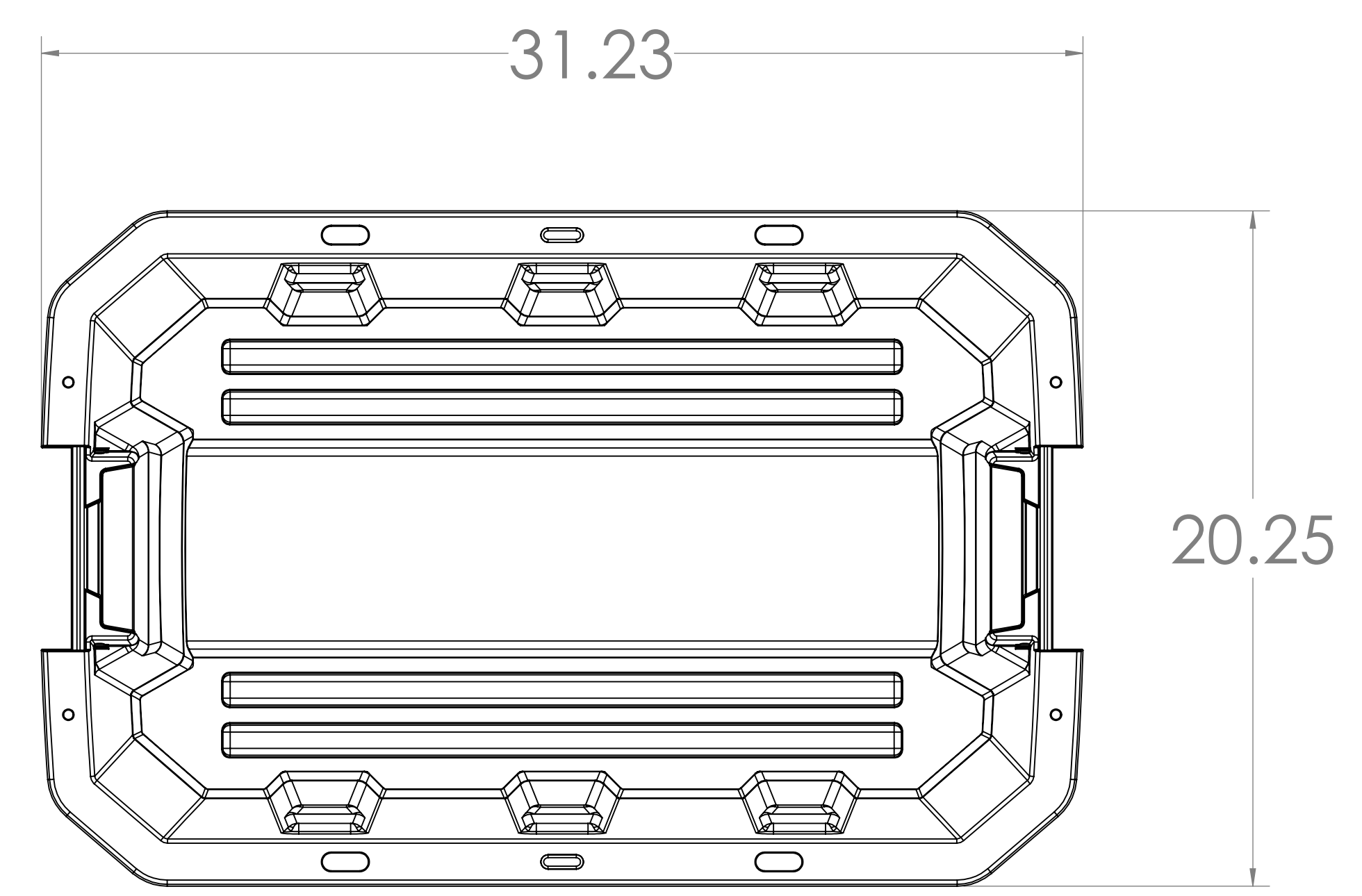
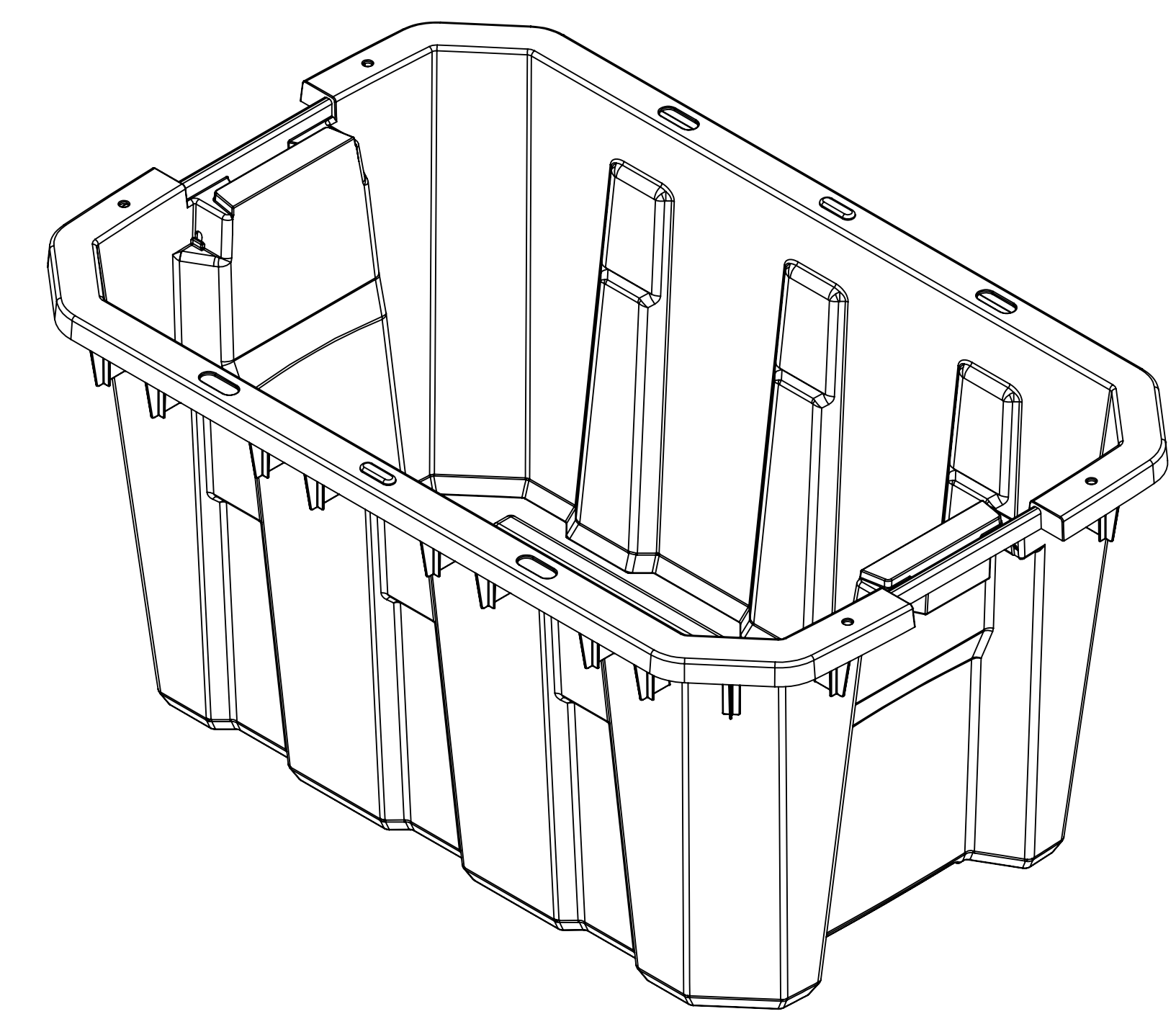
PROPRIETARY AND CONFIDENTIAL  
THE INFORMATION CONTAINED IN THIS DRAWING IS THE SOLE PROPERTY OF CREATIVE PLASTICS CONCEPTS. ANY REPRODUCTION IN PART OR AS A WHOLE WITHOUT THE WRITTEN PERMISSION OF CREATIVE PLASTICS CONCEPTS IS PROHIBITED.

DRAWN	CHECKED	ENG APPR.	MFG APPR.	Q.A.	COMMENTS:

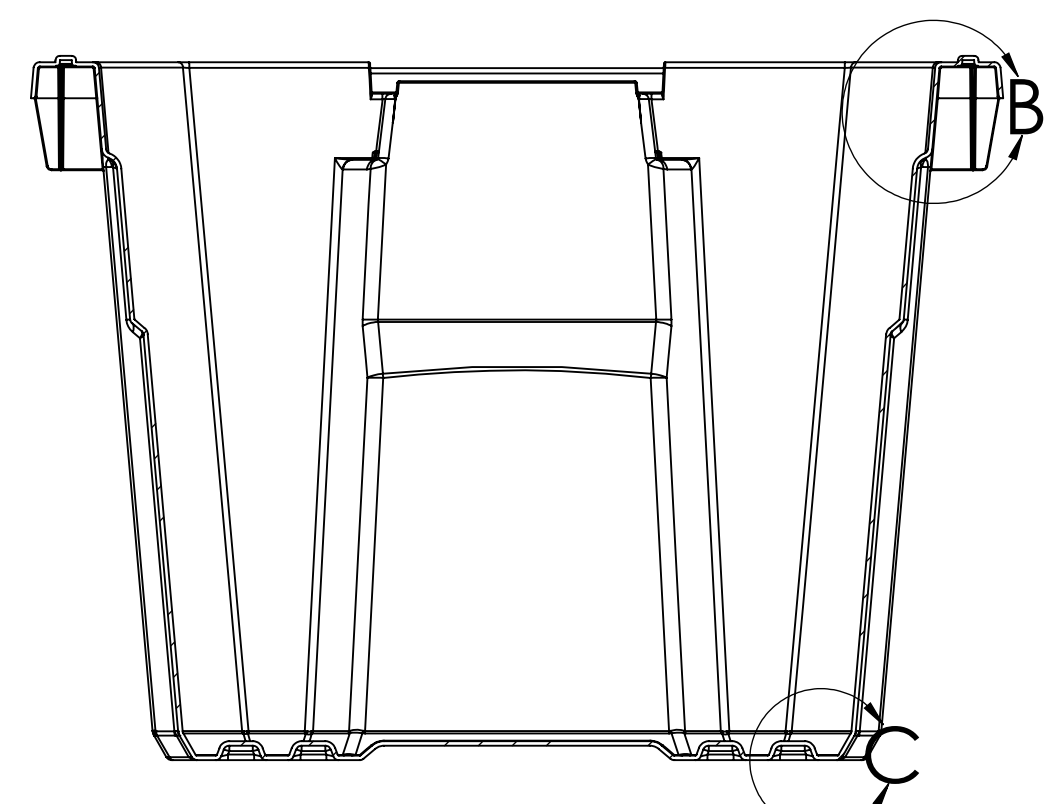
NEXT ASSY	USED ON	APPLICATION

7814\_25gal Assembly\_Home Depot

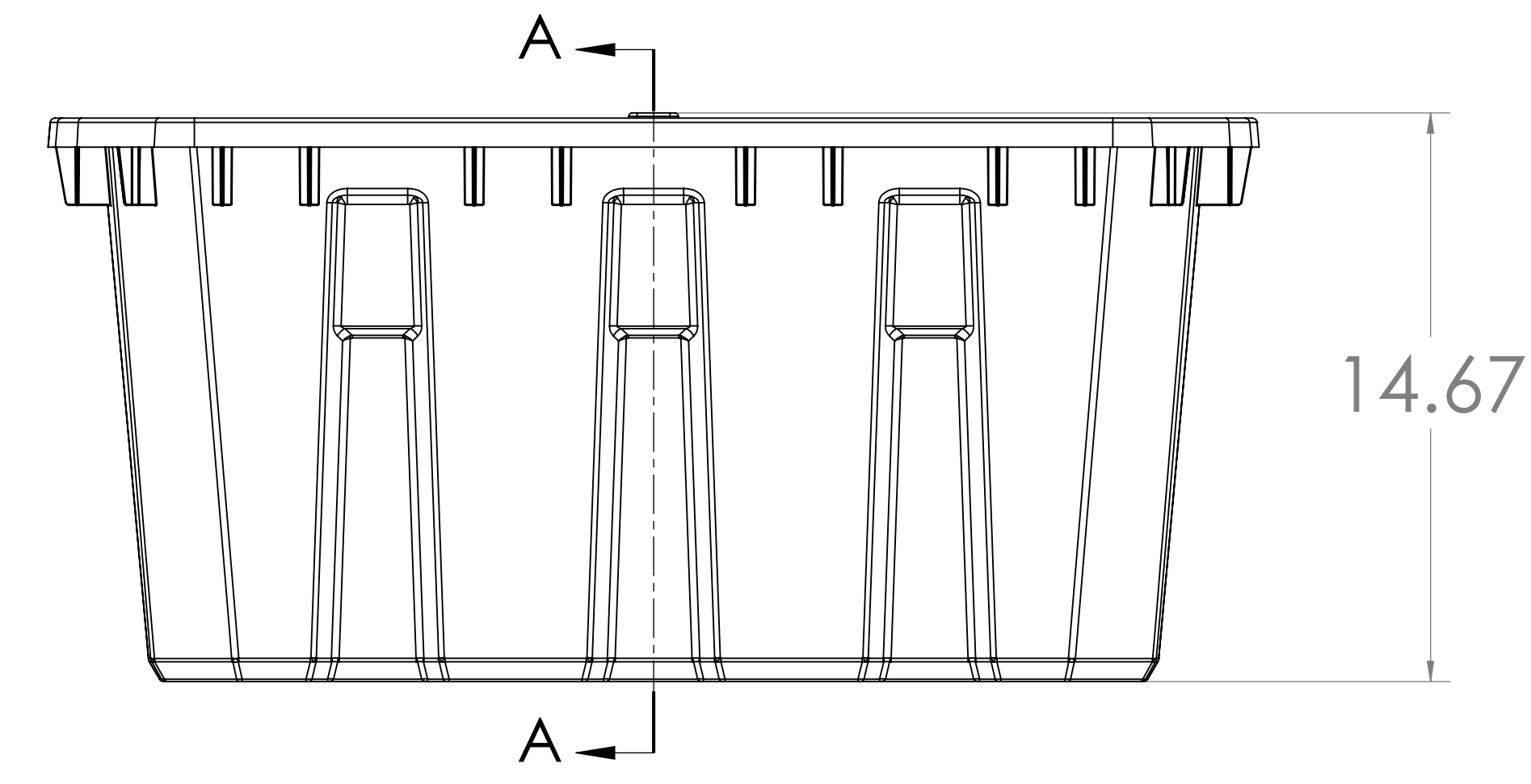
REVISIONS				
ZONE	REV.	DESCRIPTION	DATE	APPROVED



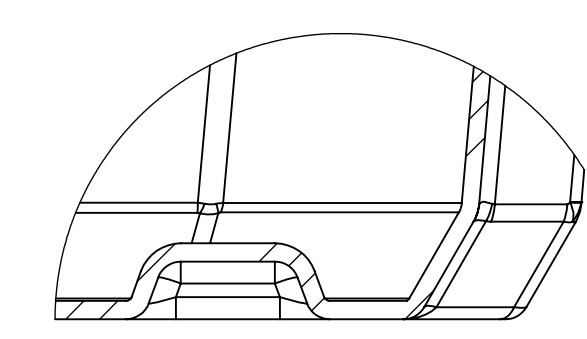
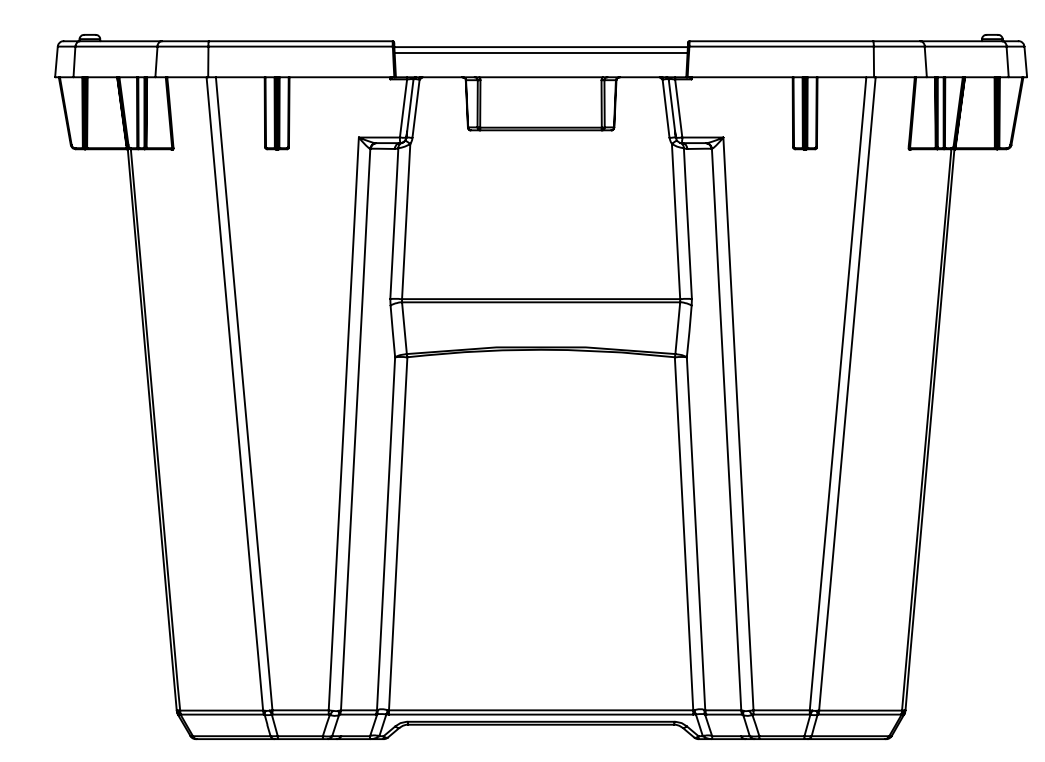
DETAIL B  
SCALE 1 : 1



SECTION A-A



14.67



DETAIL C  
SCALE 1 : 1

Bin Holding Volume: 25.00 Gallons

**PROPRIETARY AND CONFIDENTIAL**  
THE INFORMATION CONTAINED IN THIS DRAWING IS THE SOLE PROPERTY OF CREATIVE PLASTICS CONCEPTS. ANY REPRODUCTION IN PART OR AS A WHOLE WITHOUT THE WRITTEN PERMISSION OF CREATIVE PLASTICS CONCEPTS IS PROHIBITED.

UNLESS OTHERWISE SPECIFIED:	NAME	DATE
DIMENSIONS ARE IN INCHES	DRAWN	
TOLERANCES:	CHECKED	
FRACTIONAL ±	ENG APPR.	
ANGULAR MATCH ±	MFG APPR.	
TWO PLACE DECIMAL ±	Q.A.	
THREE PLACE DECIMAL ±	COMMENTS:	
INTERPRET GEOMETRIC TOLERANCING PER:		
MATERIAL		
PP Homopolymer		
FINISH		
NEXT ASSY		
USED ON		
APPLICATION		

ITEM NO.	DESCRIPTION	QTY.
1	25 Gallon Bin	1



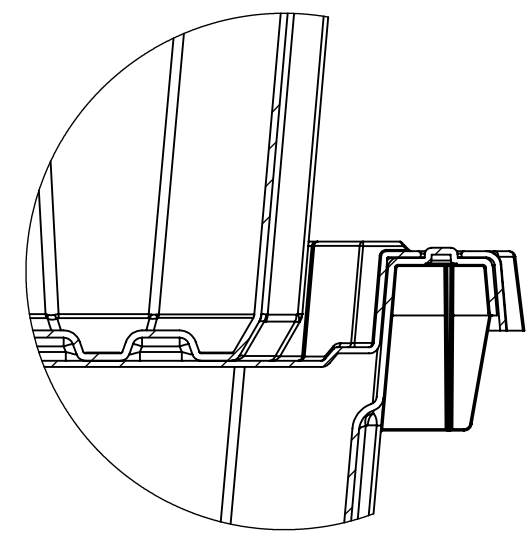
TITLE: 25 Gallon Bin

SIZE DWG. NO. **D** 7814\_25 Gallon Bin\_Home Depot REV

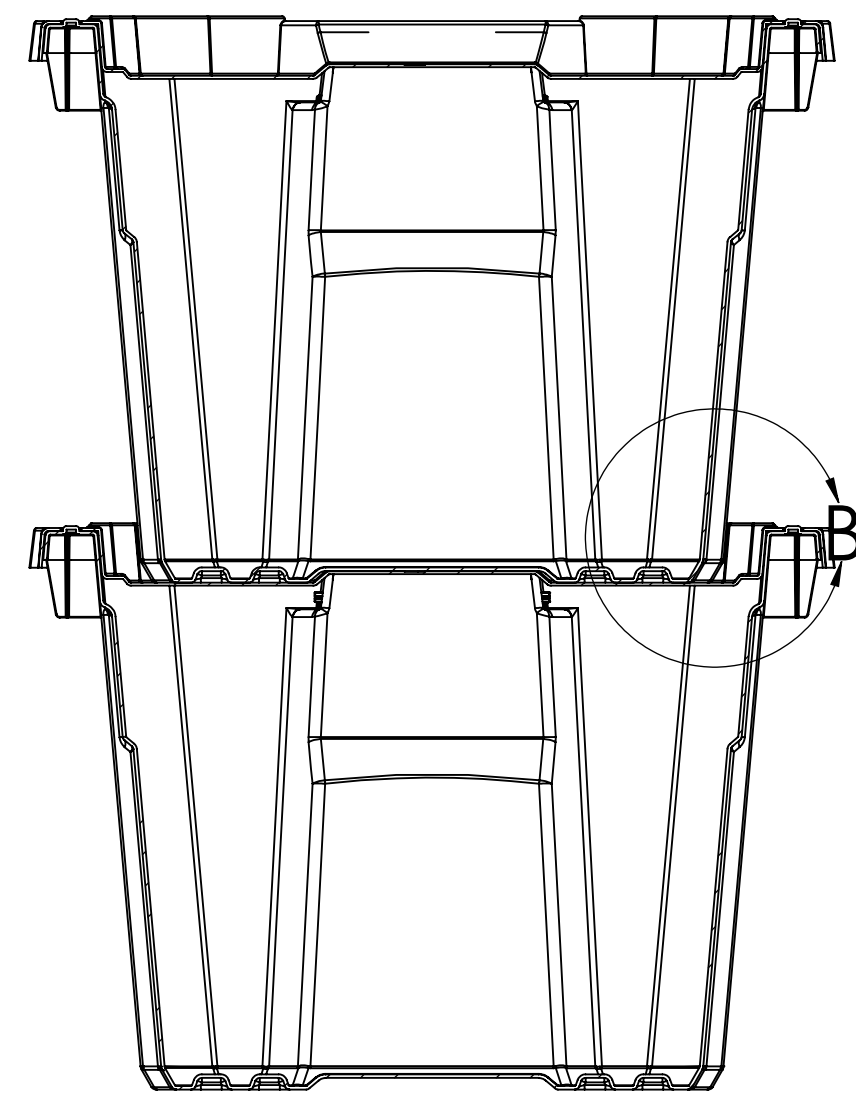
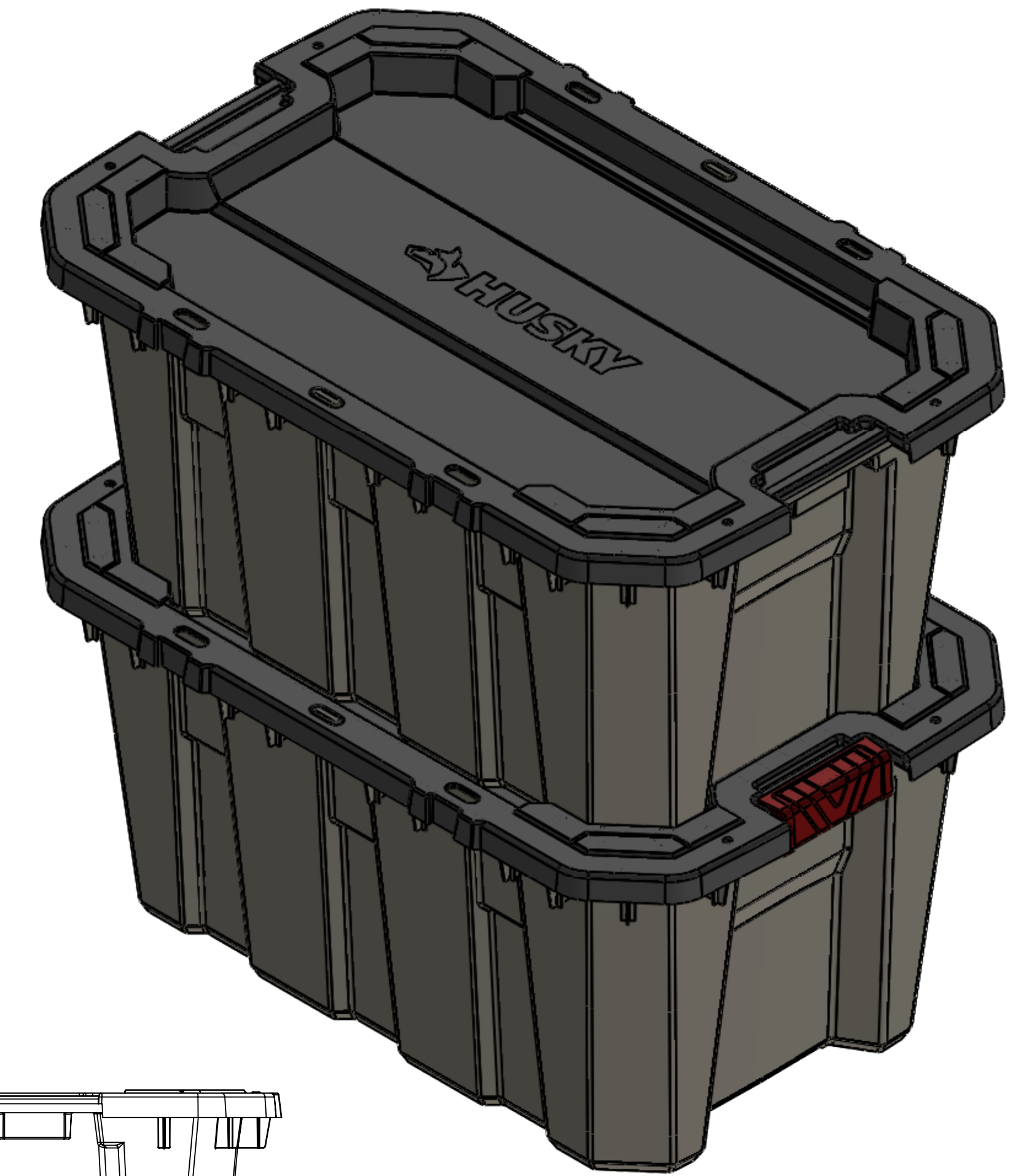
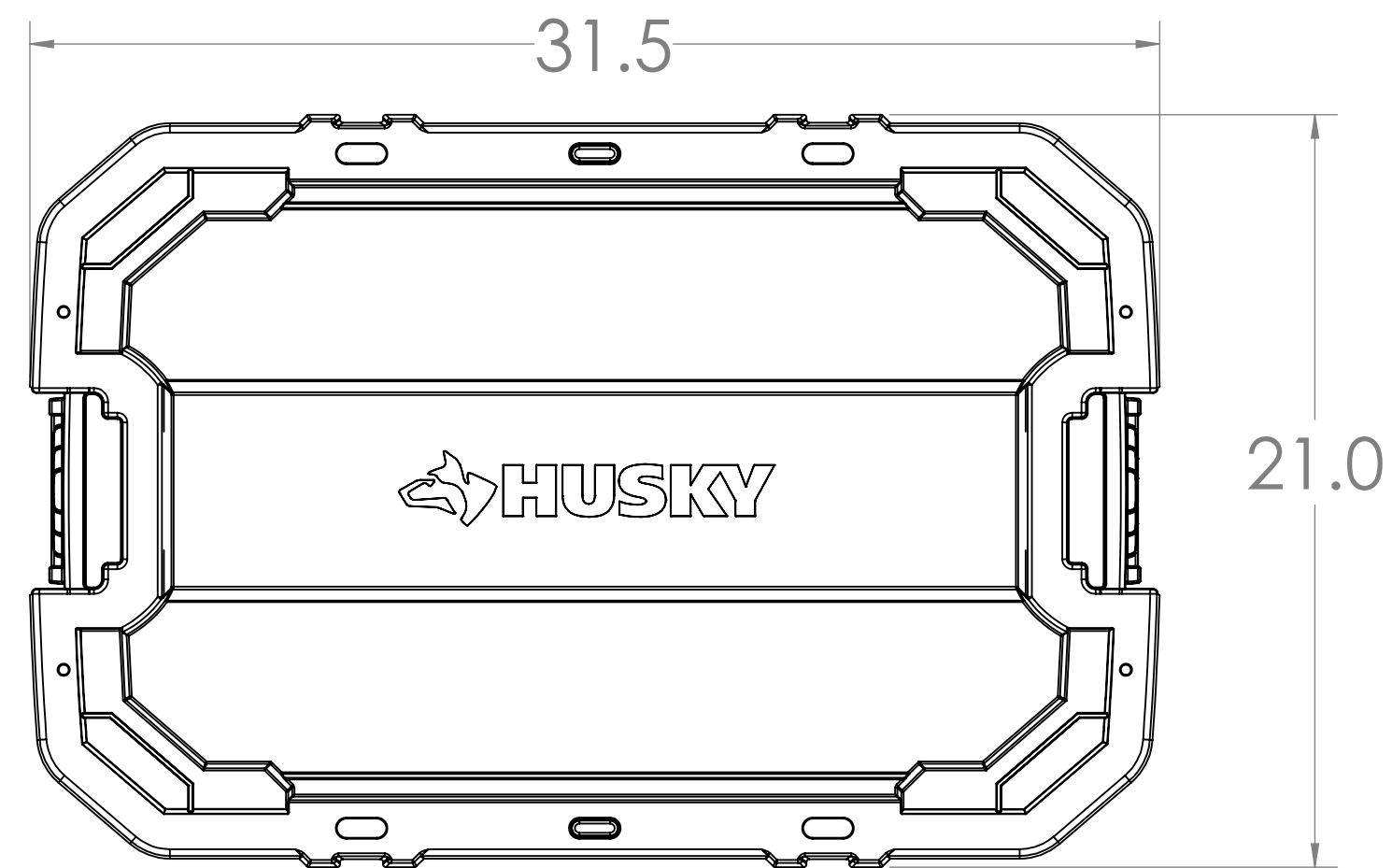
SCALE: 1:4 WEIGHT: SHEET 1 OF 1

7814\_25 Gallon Bin\_Home Depot

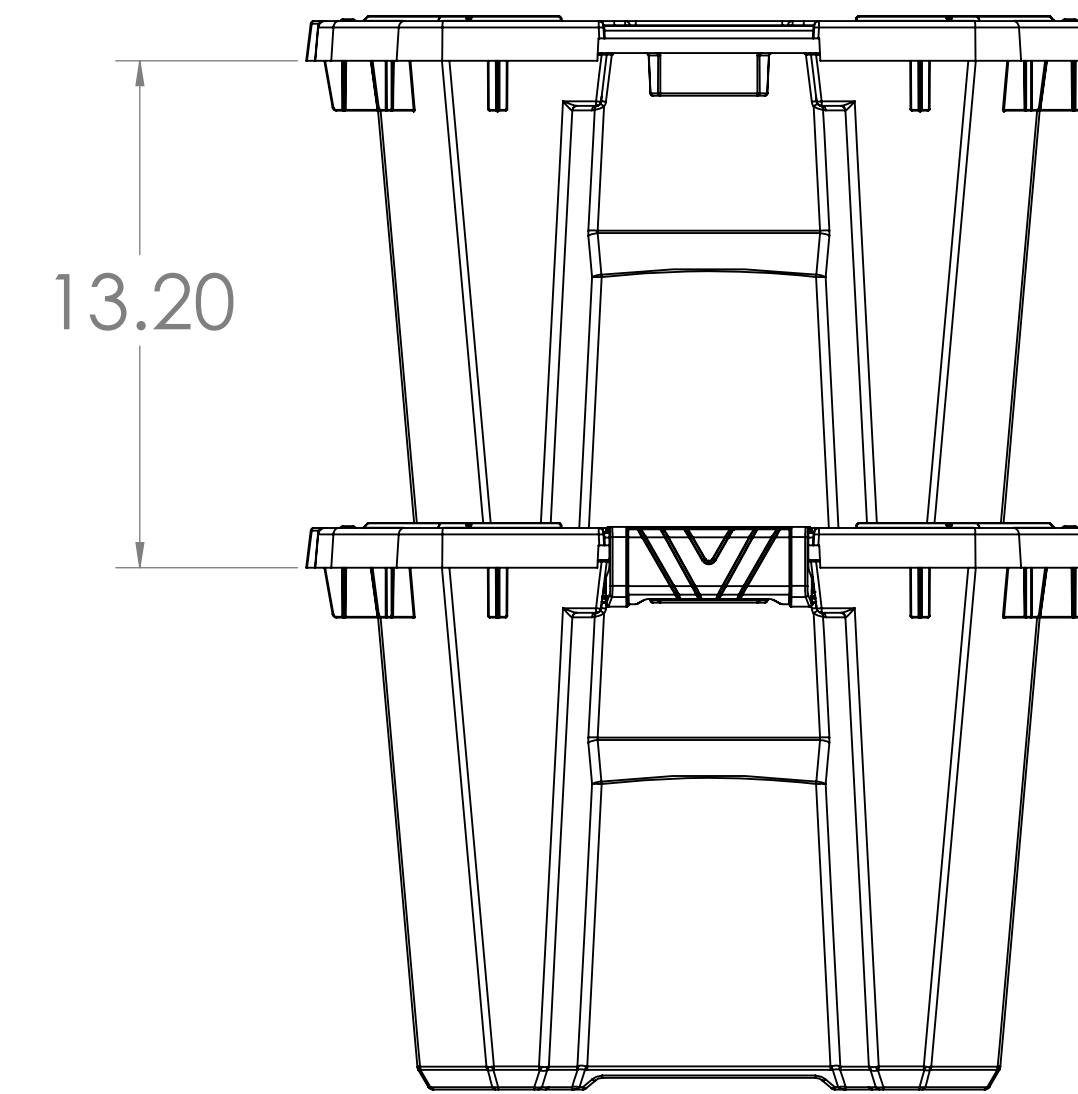
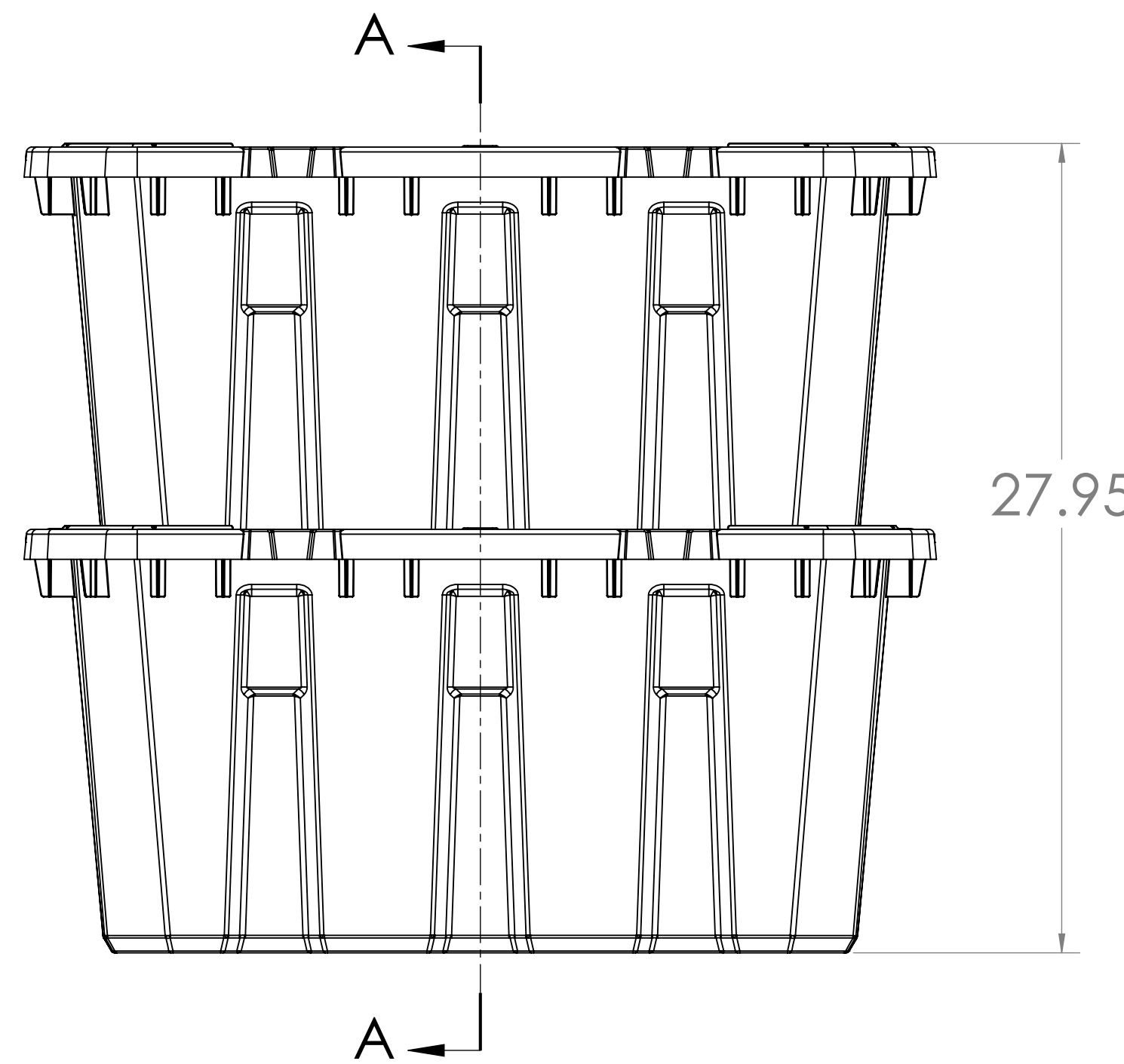
REVISIONS				
ZONE	REV.	DESCRIPTION	DATE	APPROVED



DETAIL B  
SCALE 2 : 5



SECTION A-A  
SCALE 1 : 5



ITEM NO.	DESCRIPTION	QTY.
1	25 Gallon Bin	2
2	Latch Handle	4
3	25 Gallon Lid	2

**PROPRIETARY AND CONFIDENTIAL**  
THE INFORMATION CONTAINED IN THIS DRAWING IS THE SOLE PROPERTY OF CREATIVE PLASTICS CONCEPTS. ANY REPRODUCTION IN PART OR AS A WHOLE WITHOUT THE WRITTEN PERMISSION OF CREATIVE PLASTICS CONCEPTS IS PROHIBITED.

UNLESS OTHERWISE SPECIFIED:	NAME	DATE
DIMENSIONS ARE IN INCHES	DRAWN	
TOLERANCES:	CHECKED	
FRACTIONAL ±	ENG APPR.	
ANGULAR MATCH ±	MFG APPR.	
TWO PLACE DECIMAL ±	Q.A.	
THREE PLACE DECIMAL ±	COMMENTS:	
INTERPRET GEOMETRIC TOLERANCING PER:		
MATERIAL		
PP Homopolymer		
FINISH		
NEXT ASSY	USED ON	
APPLICATION		

**CREATIVE PLASTIC**  
C.O.C.C.P.C.  
TITLE:  
**25 Gallon Bins Stacked**  
SIZE DWG. NO. REV  
**D** 7814\_25 Gallon Bin and Lid Stacking Assembly\_2 Stacked Assemblies\_Home Depot  
SCALE: 1:8 WEIGHT: SHEET 1 OF 1

7814\_25 Gallon Bin and Lid Stacking Assembly\_2 Stacked Assemblies\_Home Depot