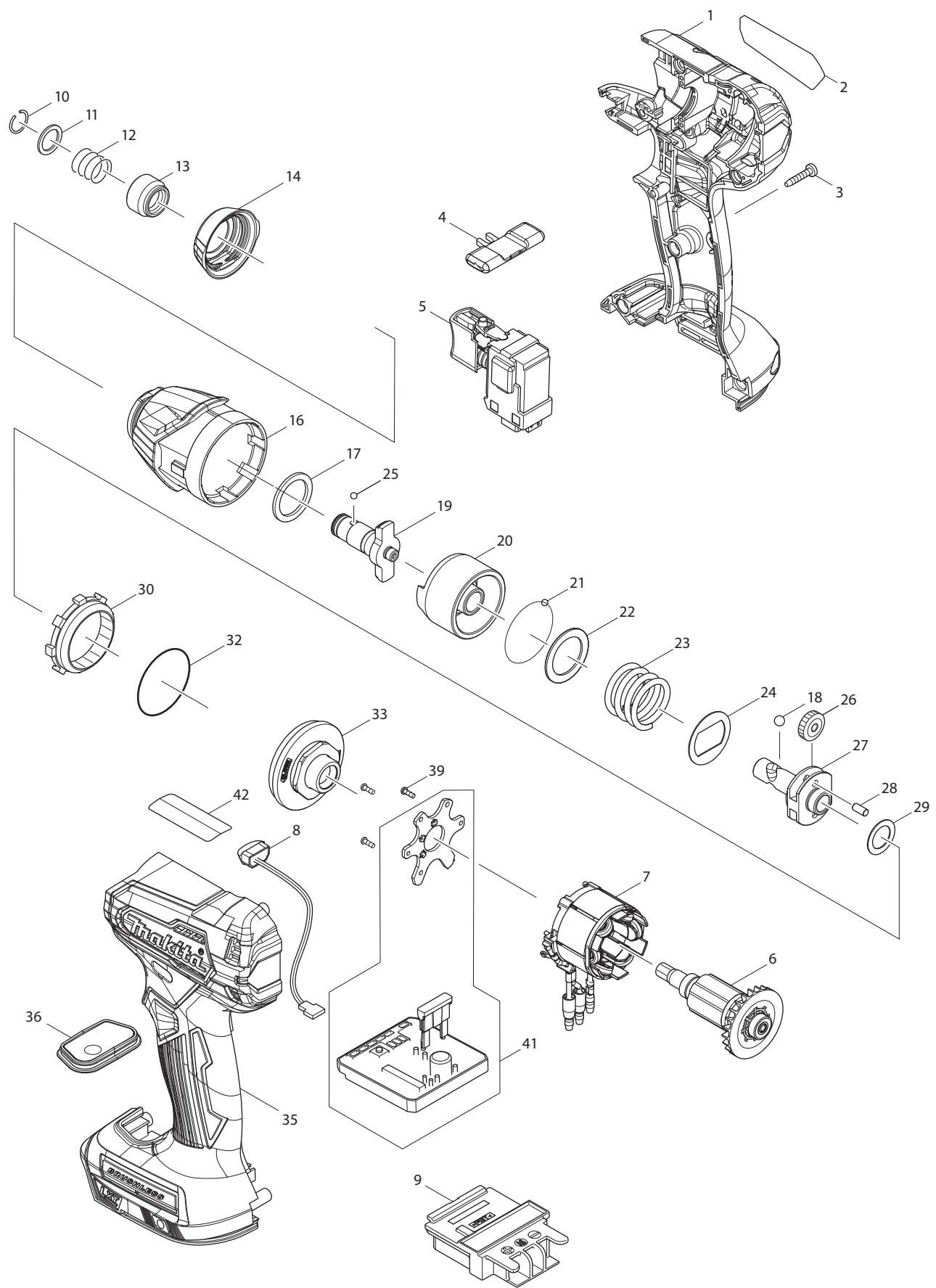


Model XFD11ZB Parts Price List

A = Standard Equipment

O = Circuit Diagram

| Item# | Part# | Description | Q'ty Unit |
|-------|--------------|-------------------------|-----------|
| 001 | 183E64-0 | HOUSING SET | 1 |
| | C10 263005-3 | RUBBER PIN 6 | 2 PC. |
| | C20 252126-6 | HEX. LOCKING NUT M4-7 | 2 PC. |
| | D10 | INC. 17 | |
| 002 | 852L70-5 | XFD11 NAME PLATE | 1 |
| 003 | 266429-2 | TAPPING SCREW 3X16 | 8 PC. |
| 004 | 457020-9 | SPEED CHANGE LEVER | 1 |
| 005 | 233025-1 | COMPRESSION SPRING 2 | 2 PC. |
| 006 | 419041-9 | F/R CHANGE LEVER | 1 PC. |
| 007 | 650689-0 | SWITCH C3JW-2B | 1 PC. |
| 008 | 251468-5 | - FLAT HEAD SCREW M6X22 | 1 PC. |
| 009 | 763241-6 | KEYLESS DRILL CHUCK 13 | 1 |
| 010 | 123587-6 | CHANGE LEVER ASS'Y | 1 |
| | D10 | INC. 5 | |
| 011 | 123868-8 | GEAR ASSEMBLY | 1 |
| 012 | 266490-9 | TAPPING SCREW PT 2X6 | 3 PC. |
| 013 | 620555-5 | CONTROLLER | 1 |
| 014 | 629228-7 | STATOR | 1 PC. |
| 015 | 619410-6 | ROTOR | 1 |
| 016 | 643874-2 | TERMINAL | 1 PC. |
| 017 | 183E64-0 | HOUSING SET | 1 |
| | C10 263005-3 | RUBBER PIN 6 | 2 PC. |
| | C20 252126-6 | HEX. LOCKING NUT M4-7 | 2 PC. |
| | D10 | INC. 1 | |
| 019 | 809U04-3 | CAUTION LABEL | 1 |
| 023 | 620549-0 | LED CIRCUIT | 1 |
| A01 | 251314-2 | + SCREW M4X12 | 1 PC. |
| A02 | 346449-3 | HOOK | 1 PC. |



Model XDT15ZB Parts List

A = Standard Equipment

O = Circuit Diagram

| Item# | Part# | Description | Q'ty | Unit |
|-------|--------------|--------------------------|------|------|
| 001 | 183E57-7 | HOUSING SET | 1 | |
| | C10 252126-6 | HEX. LOCKING NUT M4-7 | 2 | PC. |
| | D10 | INC. 35 | | |
| 002 | 852P14-9 | XDT15 NAME PLATE | 1 | |
| 003 | 266429-2 | TAPPING SCREW 3X16 | 9 | PC. |
| 004 | 455053-8 | F/R CHANGE LEVER | 1 | PC. |
| 005 | 143975-1 | SWITCH COMPLETE | 1 | |
| 006 | 619415-6 | ROTOR | 1 | |
| 007 | 629233-4 | STATOR | 1 | |
| 008 | 620521-2 | LED CIRCUIT | 1 | PC. |
| 009 | 643860-3 | TERMINAL | 1 | PC. |
| 010 | 231965-7 | RING SPRING 10 | 1 | PC. |
| 011 | 267143-3 | FLAT WASHER 11 | 1 | PC. |
| 012 | 233005-7 | COMPRESSION SPRING 13 | 1 | PC. |
| 013 | 326803-7 | BIT SLEEVE | 1 | |
| 014 | 424914-3 | BUMPER | 1 | |
| 016 | 144132-4 | HAMMER CASE COMPLETE | 1 | |
| 017 | 261159-0 | NYLON WASHER 19 | 1 | |
| 018 | 216002-8 | STEEL BALL 4.8 | 2 | PC. |
| 019 | 326630-2 | ANVIL M | 1 | |
| 020 | 324894-2 | HAMMER | 1 | PC. |
| 021 | 216019-1 | STEEL BALL 3 | 24 | PC. |
| 022 | 267380-9 | FLAT WASHER 20 | 1 | PC. |
| 023 | 232326-4 | COMPRESSION SPRING 21 | 1 | |
| 024 | 267813-4 | WASHER 21 | 1 | PC. |
| 025 | 216019-1 | STEEL BALL 3 | 2 | PC. |
| 026 | 221437-0 | SPUR GEAR 17 | 2 | |
| 027 | 324897-6 | SPINDLE | 1 | PC. |
| 028 | 268217-3 | PIN 3.5 | 2 | PC. |
| 029 | 253052-2 | FLAT WASHER 12 | 1 | PC. |
| 030 | 227316-0 | INTERNAL GEAR 43 | 1 | PC. |
| 032 | 213479-8 | O RING 33 | 1 | PC. |
| 033 | 141893-7 | BEARING BOX COMPLETE | 1 | PC. |
| 035 | 183E57-7 | HOUSING SET | 1 | |
| | C10 252126-6 | HEX. LOCKING NUT M4-7 | 2 | PC. |
| | D10 | INC. 1 | | |
| 036 | 144137-4 | SWITCH PLATE COMPLETE | 1 | |
| 039 | 266490-9 | TAPPING SCREW PT 2X6 | 3 | PC. |
| 041 | 620586-4 | CONTROLLER | 1 | |
| 042 | 810H96-9 | CAUTION LABEL | 1 | |
| A01 | 266622-8 | + TRUSS HEAD SCREW M4X12 | 1 | PC. |
| A02 | 346449-3 | HOOK | 1 | PC. |