



# Companion Two Seat Dual Massage Walk In Bathtub



93085 Center Drain Only

Actual Size: 30.25" W x 59.75" L x 38" H  
Shipping Size: 35" W x 65" L x 45" H  
Shipping Weight: 320 lbs.  
Net Weight: 220 lbs.  
Water Capacity: 95 gal. US (unoccupied)  
45-65 gal. US (occupied)

#### Options:

- Soaking

#### Included Features:

1. Tub Shell - Acrylic Tub Shell:
  - High quality cast acrylic grade A
  - Excellent color uniformity
  - High Gloss White Finish
  - 5 mm cast acrylic sheet
  - Gel Coat Fiberglass (reinforced)
2. Stainless Steel Frame
3. Low threshold step in 9.5" with the option to lower to 6.5"
4. Seat Width: 20.25"
5. Seven (7) adjustable heavy duty leveling legs for stainless steel frame support
6. Stainless steel and tempered glass door, door frame and door seal gasket
7. Removable door for easy cleaning
8. Deck mount safety grab bar
9. LED multiple color chromatherapy light with ON/OFF push control
10. Two (2) removable rubber back support (white)
11. Two (2) front, one (1) toe kick and one (1) side removable access panels
12. Air massage system:
  - Ten (10) therapeutic air massage jets
  - 0.5HP air pump
  - ON/OFF push control

#### 13. Hydro Massage System:

- Four (4) adjustable and fourteen (14) fixed hydro jets
- Air flow regulator for adjustable hydro massage
- 1.2HP pump (900 Watts)
- ON/OFF push control
- In-line water heater (1.5 KW)
- Ozone Sterilization (12Volts) with ON/OFF push control

#### 14. Five-Piece Ella Faucet Brass Set with Chrome Finish

- Thermostatic control valve with integrated check valve
- Designer spout
- Two (2) 2-way diverters with ADA compliant handles
- Pull out hand held shower with 5 ft. Retractable stainless steel hose

#### Plumbing:

- Two (2) x 4' long stainless steel braided water supply lines with 1/2" IPS connectors
- Two (2) x 2" floor drains with 2 overflows and 2 ADA compliant stainless steel cable operated openers with extension handles
- Drainage time +/- 80 seconds to overflow
- Two (2) PVC 2" drain elbows with 2" opening

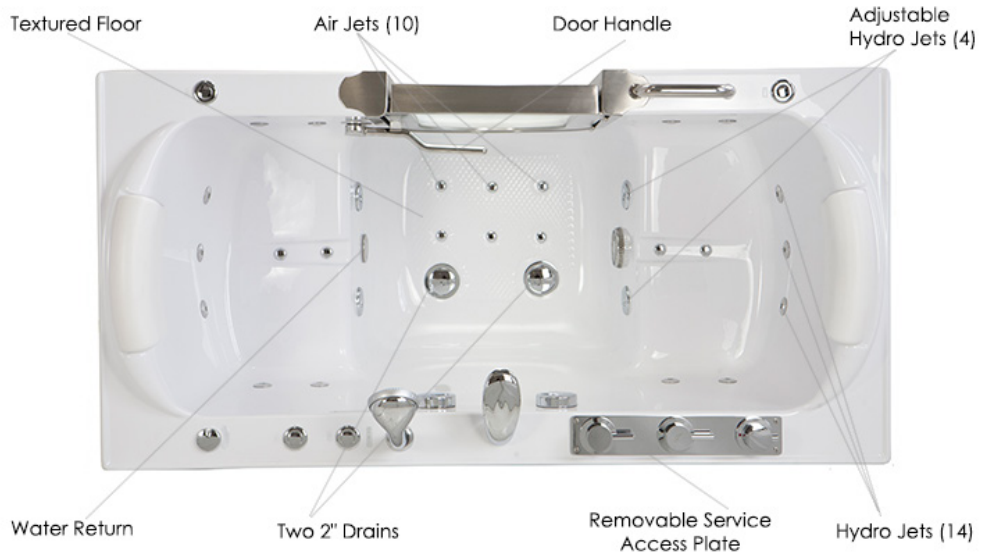
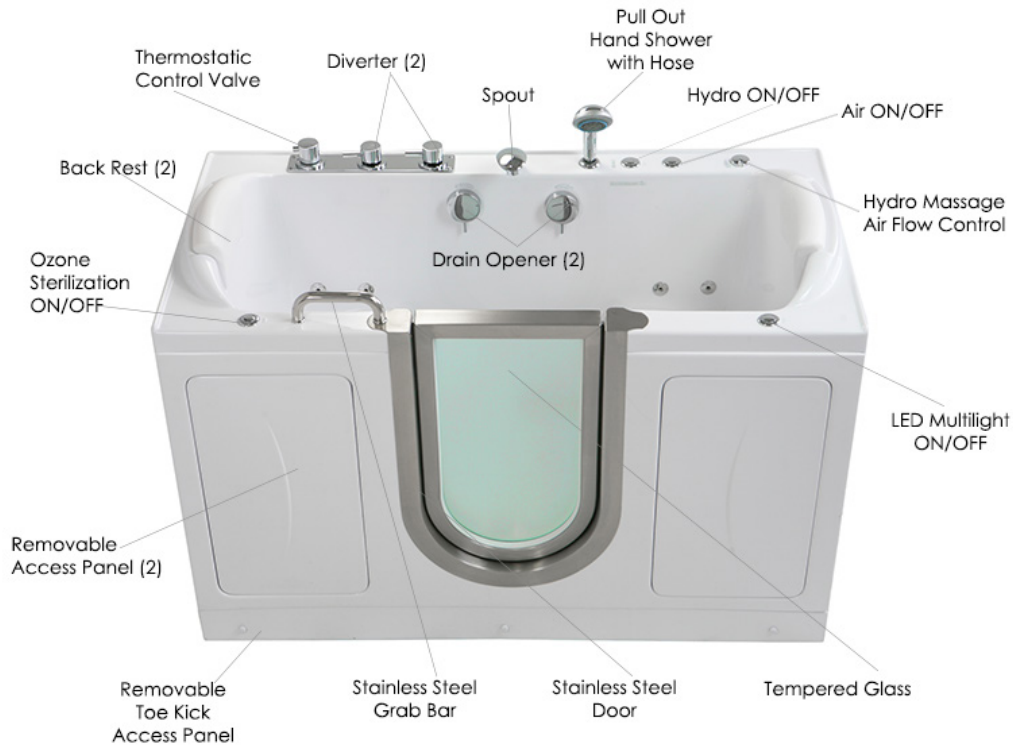
#### Electrical:

Electrical requirement is one dedicated 120 V electrical line connection with a 30AMP dedicated GCFI breaker line connection.

#### Warranty:

- Lifetime limited warranty on frame, door, door seal gasket and acrylic walk in tub shell
- 5 Year parts warranty\*

# Companion Two Seat Dual Massage Walk In Bathtub Features



Panel On



Panel Off

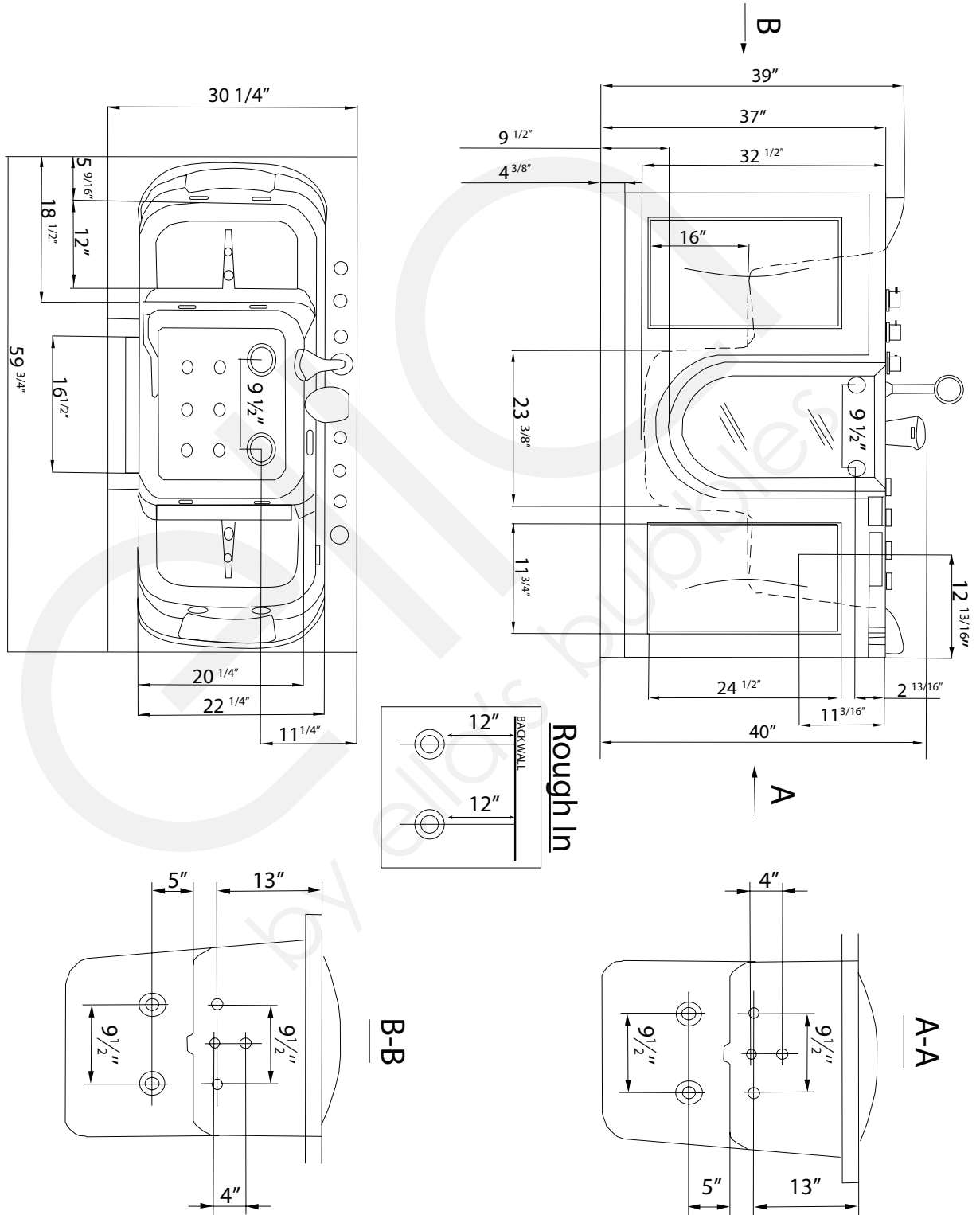


Lowered Threshold



Baseboard On  
(not supplied)

# Companion Two Seat Dual Massage Walk In Bathtub 93085 - Center Drain Only



Disclaimer:  
 In an effort to continually improve our product, specifications and configurations are subject to change without notice. Before ordering or installing, consider future access to essential equipment.

