



BUILT-IN HOUSEHOLD REFRIGERATOR-FREEZERS

Models

CT661BI



CT663BBI



Instruction Manual

**BEFORE USE, PLEASE READ AND FOLLOW
ALL SAFETY RULES AND OPERATING INSTRUCTIONS**

Write the Serial Number here:

FELIX STORCH, INC.
770 Garrison Avenue
Bronx, NY10474
www.summitappliance.com

IMPORTANT SAFEGUARDS

Your safety and the safety of others are very important.



Before the appliance is used, it must be properly positioned and installed as described in this manual, so read the manual carefully. To reduce the risk of fire, electrical shock or injury when using the appliance, follow basic precautions, including the following:

DANGER

- Plug into a grounded 3-prong outlet. Do not remove grounding prong, do not use an adapter, and do not use an extension cord.
- It is recommended that a separate circuit, serving only your appliance, be provided. Use receptacles that cannot be turned off by a switch or pull chain.
- Never clean appliance parts with flammable fluids. These fumes can create a fire hazard or explosion. And do not store or use gasoline or other flammable vapors and liquids in the vicinity of this or any other appliance. The fumes can create a fire hazard or explosion.
- Before proceeding with cleaning and maintenance operations, make sure the power line of the unit is disconnected.
- Do not connect or disconnect the electric plug when your hands are wet.
- Unplug the appliance or disconnect the power before cleaning or servicing. Failure to do so can result in electrical shock or death.
- Do not attempt to repair or replace any part of your appliance unless it is specifically recommended in this material. All other servicing should be referred to a qualified technician.

WARNING

- Use two or more people to move and install the appliance. Failure to do so can result in back or other injury.
- To ensure proper ventilation for your appliance, the front of the unit must be completely unobstructed. Choose a well-ventilated area with temperatures above 60° F (16° C) and below 90° F (32° C). This unit must be installed in an area protected from the elements, such as wind, rain, water spray or drips.
- The appliance should not be located next to ovens, grills or other sources of high heat.
- The appliance must be installed with all electrical connections in accordance with state and local codes. A standard electrical supply (115V AC only, 60 Hz), properly grounded in accordance with the National Electrical Code and local codes and ordinances, is required.
- Do not kink or pinch the power supply cord of the appliance.
- The fuse (or circuit breaker) size should be 15 amperes.
- It is important for the appliance to be leveled in order to work properly. You may need to make several adjustments to level it.
- Never allow children to operate, play with or crawl inside the appliance.
- Do not use solvent-based cleaning agents or abrasives on the interior. These cleaners may damage or discolor the interior.
- Do not use this apparatus for other than its intended purpose.



DANGER



Risk of child entrapment!

Child entrapment and suffocation are not problems of the past. Junked or abandoned refrigerators and freezers are still dangerous, even if they will “just sit in the garage a few days.”

- **Before you throw away your old refrigerator or freezer:** Take off the doors. Leave the shelves or drawers in place so that children may not easily climb inside.
- Never allow children to operate, play with, or crawl inside the appliance.

THIS APPLIANCE IS NOT INTENDED FOR USE BY YOUNG CHILDREN OR INFIRM PERSONS UNLESS THEY HAVE BEEN ADEQUATELY SUPERVISED BY A RESPONSIBLE PERSON TO ENSURE THAT THEY CAN USE THE APPLIANCE SAFELY. YOUNG CHILDREN SHOULD BE SUPERVISED TO ENSURE THAT THEY DO NOT PLAY WITH THE APPLIANCE.

- SAVE THESE INSTRUCTIONS -

To save energy and maintain optimum performance:

Your appliance may be installed as a free-standing unit or built into an enclosure or below a countertop.

When positioning this unit: If used freestanding allow at least 2 inches of clearance on top, at the sides and in the rear for sufficient airflow. If unit is built in, allow 2” of air space between the rear of the unit and the wall and leave at least 1/8” on both sides and 1/16” at the top. Be sure that airflow under the appliance is not blocked.

Table of Contents

Important Safeguards 1 - 2

Location of Parts 3

Technical Information 4

Installation Instructions 4 - 7

Before Using Your Appliance 4

Installing the Refrigerator-Freezer 4 - 5

Electrical Connection / Extension Cord..... 5

Reversing the Door Swing / Switching the Door Handle 6

Changing Direction of Door Opening on Low Temperature Compartment 7

Operating Your Refrigerator-Freezer 7 - 8

Temperature Control 7 - 8

Defrosting Your Appliance..... 8

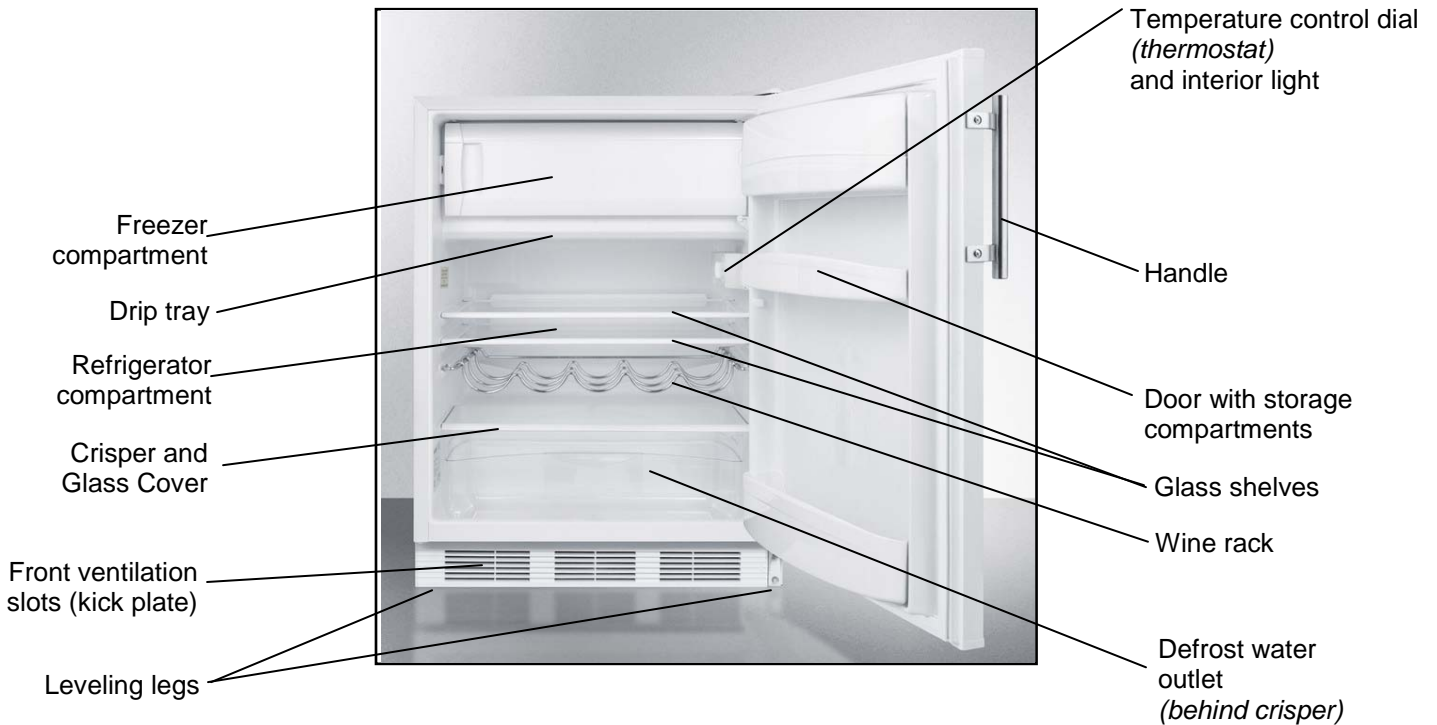
Care and Maintenance 9

*Cleaning Your Appliance / Power Failure / Vacation Time/
Moving your Appliance / Energy-Saving Tips*

Troubleshooting..... 10

Limited Warranty 11

Location of Parts



Technical Information

Model Numbers	CT661BI (white) CT663BBI (black exterior)
Capacity	5.1 cu. ft.
Electrical Input	115V AC/60Hz
Rated Current	1.3A
Temperature of Freezer	5°F
Refrigerant	R134a, 2.3oz.
Installation	Built-in or free-standing
Ship Weight	102 lbs.
Unit Dimensions (W x D x H)	23.63" x 23.5" x 33.25"

NOTE: Specifications are subject to change without notice.

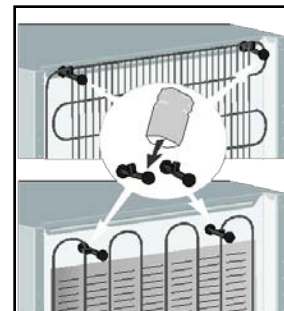
Installation Instructions

Before Using Your Appliance:

- Remove the exterior and interior packing.
- Before connecting the unit to a power source, let it stand for approximately 2 hours. This will reduce the possibility of a malfunction in the cooling system from handling during transportation.
- Remove the crisper, drip tray and shelves and clean them and the interior surfaces of the unit with lukewarm water using a soft cloth.

Installing the Refrigerator-Freezer:

- Place the unit on a floor that is strong enough to support the appliance when it is fully loaded. To level the unit, adjust the two leveling legs at the front.
- Models CT661BI and CT663BBI can be installed either free-standing, recessed or built into an enclosure. When installing as a free-standing unit, allow at least 2" (51mm) of space at the sides, top and rear of the unit to allow for proper air circulation to cool the compressor and condenser. Even when built in, the unit requires at least 2" of clearance at the back, 1/8" (3mm) at both sides and 1/16" (1.6mm) at the top. Take care that the air vents at the front of the appliance are never covered or blocked in any way.
- This appliance is supplied with spacers that have to be mounted onto the condenser tube to make sure there is sufficient clearance between the appliance and the wall.



- Locate the unit away from direct sunlight and sources of heat (oven, heater, radiator, etc.). Direct sunlight may affect the acrylic coating and heat sources may increase electrical consumption. Extremely cold ambient temperatures may also affect the unit's performance.
- Avoid locating the unit in moist areas. Too much moisture in the air will cause frost to form quickly on the evaporator, requiring more frequent defrosting of the freezer compartment.
- Plug the unit into an exclusive, properly installed and grounded wall outlet. Any questions concerning power and/or grounding should be directed toward a certified electrician or authorized service center.

Electrical Connection:

WARNING

Improper use of the grounded plug can result in the risk of electrical shock. If the power cord is damaged, have it replaced by the manufacturer, its service agent or similarly qualified persons in order to avoid a hazard.

This unit should be properly grounded for your safety. The power cord of this unit is equipped with a three-prong plug which mates with a standard three-prong wall outlet to minimize the possibility of electrical shock.

Do not under any circumstances cut or remove the third ground prong from the power cord supplied. For personal safety, this appliance must be properly grounded.

This unit requires a standard 115-volt AC/60Hz electrical outlet with three-prong ground. Have the wall outlet and circuit checked by a qualified electrician to make sure the outlet is properly grounded. When a standard 2-prong wall outlet is encountered, it is your responsibility and obligation to have it replaced with a properly grounded 3-prong wall outlet.

To prevent accidental injury, the cord should be secured behind the unit and not left exposed or dangling.

The unit should always be plugged into its own individual electrical outlet which has a voltage rating that matches the rating label on the appliance. This provides the best performance and also prevents overloading house wiring circuits that could cause a fire hazard from overheated wires. Never unplug the unit by pulling on the power cord. Always grip the plug firmly and pull straight out from the receptacle. Repair or replace immediately any power cord that has become frayed or otherwise damaged. Do not use a cord that shows cracks or abrasion damage along its length or at either end. When moving the unit, be careful not to damage the power cord.

Extension Cord:

Do not use an extension cord with this appliance. If the power cord is too short, have a qualified electrician or service technician install an outlet near the appliance.

Reversing the Door Swing:

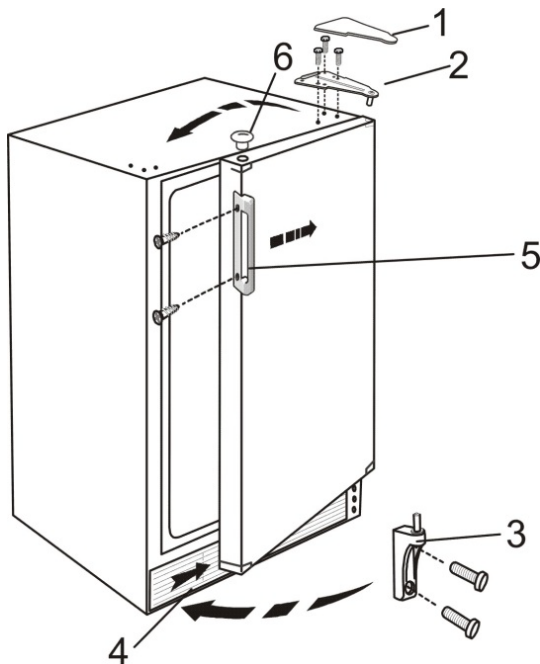
If you find the direction of opening the door of the appliance inconvenient, you can change it. Holes on the opposite side have already been prepared at the factory.

This appliance can be opened from either the right side or the left. By default, the door hinge is on the right side. If you prefer it on the left, please follow these instructions:

1. Take off the upper hinge cover from the door and remove the screws that hold the top hinge.
2. Lift the hinge straight up to free the hinge pin from the socket in the top of the door.
3. Lift the door up and away to free its bottom socket from the hinge pin.
4. Remove the screws to the bottom hinge.
5. Remove the decorative caps from the opposite side and plug the holes from the original side with the decorative caps.
6. Move the bottom hinge to the opposite side and tighten the screws. Use any lock washers or nuts if they were installed in the original installation.
7. Replace door onto the hinge pin on the bottom hinge. Place top hinge pin into door. Insert screws into the top hinge and tighten.
8. Check the gasket. It should not be creased and should seal well.

Switching the Door Handle:

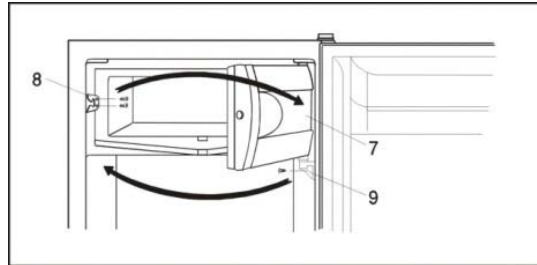
The door has two screw holes on each side, allowing you to move the handle from one side to the other. To do so, unscrew the handle from its original location and align the handle with the screw holes on the opposite side. Fix the handle in place with the screws, then cover the screw heads with the handle seal.



- 1 Upper hinge cover
- 2 Upper hinge
- 3 Lower hinge
- 4 Kick plate
- 5 Handle
- 6 Fastener for corner with hole

Changing the Direction of Door Opening on the Low Temperature Compartment:

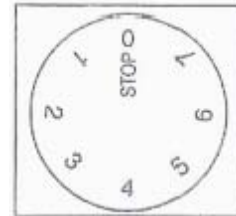
- Unscrew the blocking element and the hinge of the low temperature compartment and take off the door.
- Plug the holes with plastic caps provided.
- Turn the door 180° and replace it on the opposite side of the low temperature compartment. Fix the hinge and the blocking element of the door (position of holes already provided).



Operating Your Refrigerator-Freezer

Temperature Control:

- A unique dual evaporator system separately cools the refrigerator while keeping the freezer at 5°F. (Ice cream and other food items in the freezer stay frozen and free of freezer burn.)
- The refrigerator temperature is controlled with a thermostat knob located inside the unit, towards the upper right-hand corner. Turn the knob clockwise from the **STOP (0)** position toward the higher numbers for colder temperatures. Higher settings on the knob (higher numbers) mean lower temperatures (colder) in the refrigerator.
- On the coldest settings, temperatures in some spots of the refrigerator compartment may drop below 32°F. Use higher thermostat settings only when required or recommended. When the ambient temperature is normal, we recommend a medium setting.
- Changes in the ambient temperature affect temperature in the refrigerator compartment so choose an appropriate setting of the thermostat knob, depending on ambient conditions.
- In the **STOP (0)** position, the appliance does not operate (the cooling system is switched off), yet the power supply is not interrupted (the light goes on when you open the refrigerator door).
- The temperature in the refrigerator compartment also depends on how often you open the door.
- In all small refrigerators and freezers without interior fans, temperatures are coldest near the bottom, and occasionally near the rear. Place contents accordingly. It is best not to operate these units mostly empty. If temperatures are erratic, try putting some water bottles or freezer packs inside to create a load for the compressor.



NOTES:

1. For best storage, be sure not to over-pack and assure the freezer door closes fully.
2. The glass shelves are adjustable. These shelves stop short an inch before the back wall, which is essential for air flow and the proper operation of the automatic defrost system. Do not block these gaps.
3. The interior light on this unit is controlled by a plunger type switch, so that the light comes on automatically when the refrigerator door is opened.
4. If the unit is unplugged, has lost power or is turned off, you must wait 3 to 5 minutes before restarting the unit. If you attempt to restart before this time delay, the unit will not start.

Defrosting Your Appliance:

This appliance combines a manual defrost freezer section and an automatic defrost refrigerator section. The refrigerator compartment defrosts itself, but when frost builds to ½ inch in the freezer compartment, defrost carefully according to this procedure:

1. Remove contents from the entire unit, taking care that frozen items do not begin to thaw. Set the thermostat to **STOP (0)**.
2. Unplug the appliance. Defrosting is accelerated if the doors are left open.
3. Melting ice will drain into the drip tray below the freezer compartment. Empty this as needed.
4. Use a sponge or toweling to remove water and melting ice from the freezer floor. After the frost or ice has melted, dry the interior of the freezer compartment thoroughly.
5. Restart the appliance by plugging it in and turning the thermostat to the desired position. Once it is cold, return contents to the freezer and refrigerator sections.

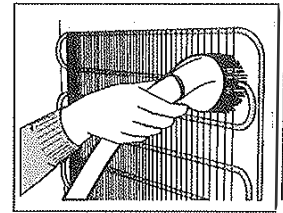
CAUTION: Do not use boiling water or an electric device such as a hair dryer to help speed up the defrosting process because this could damage the plastic parts of the unit. In addition, *never use a sharp or metallic instrument to remove frost* as it may damage the cooling coils and will void the warranty. We recommend using a plastic scraper.

Care and Maintenance

Cleaning Your Appliance:

1. Unplug the appliance, turn the thermostat to **STOP (0)** and remove all contents, including shelves, drip tray and crisper.
2. Wash the inside surfaces with a solution of lukewarm water and vinegar. Wipe dry with a clean, soft cloth.
3. Wash the shelves, drip tray and crisper with a mild detergent solution, then rinse and dry thoroughly.
4. Wash the outside cabinet with warm water and mild liquid detergent. Rinse well and wipe dry with a clean soft cloth.
5. Wring excess water out of the sponge or cloth before cleaning the area of the temperature control or any electrical parts.
6. From time to time, wipe the condenser on the rear wall with a soft non-metallic brush or vacuum cleaner.
7. After you have cleaned the appliance, reconnect it to the power supply, reset the thermostat and return all contents to their place.

CAUTION: Failure to unplug the unit could result in electrical shock or personal injury.



Power Failure:

Most power failures are corrected within a few hours and should not affect the temperature of your appliance if you minimize the number of times the door is opened. If the power is going to be off for a longer period of time, you need to take the proper steps to protect your frozen and chilled items.

Vacation Time:

During long absences, remove all contents. Unplug the appliance, clean it and leave the doors open slightly to avoid possible formation of condensation, mold or odors.

Moving Your Appliance:

1. Remove the contents.
2. Securely tape down all loose items inside your unit.
3. Turn the leveling legs up to the base to avoid damage.
4. Tape the door shut.
5. Be sure the appliance stays secure in the upright position during transportation.

Energy-Saving Tips:

- The unit should be located in the coolest area of the room, away from heat-producing appliances or heating ducts and out of direct sunlight.
- Try not to open the door too often, especially when the weather is damp and hot. Once you open the door, close it as soon as possible.
- Occasionally check if the appliance is sufficiently ventilated (adequate air circulation behind the appliance).
- Set the thermostat from higher to lower settings as soon as possible (depends on how loaded the appliance is, ambient temperature, etc.).
- Before loading items into the unit, be sure they have cooled to ambient temperature.
- A layer of frost and ice increases energy consumption, so defrost the freezer as soon as the layer is 1/2" thick.

Troubleshooting

When using this appliance, you may come across some problems that in many cases result from improper handling and can easily be eliminated.

TROUBLESHOOTING GUIDE

The appliance fails to operate after being connected to the power source.

- Check whether the power supply is active and that the thermostat is not set to the **STOP (0)** position.

The compressor is running continuously.

- The door was opened frequently or it was left open too long.
- The door is not properly closed (the door may sag; the gasket may be dirty or damaged).
- The power supply has been interrupted for a long period of time.
- The appliance may have been overloaded with items above room temperature.
- There may be inadequate ventilation of the compressor and condenser. (Assure there is adequate air circulation behind the appliance and wipe the dust from the condenser.)

Noise

Cooling in refrigeration appliances is enabled by the refrigerating system with a compressor, which produces noise. How noisy the appliance is depends on where it is placed, how it is used and how old the appliance is.

- During the operation of the compressor, the noise of liquid is heard and when the compressor is not operating, the refrigerant flow is heard. This is a normal condition and has no influence whatsoever on the lifetime of the appliance.
- After starting the appliance, the operation of the compressor and the refrigerant flow may be louder. This does not mean that something is wrong. Gradually the noise is reduced.
- Sometimes a louder noise is heard, which is unusual for the appliance. This noise is often a consequence of improper placement of the unit. (The unit should be placed and leveled firmly on a solid base and it should not touch the wall or cabinets standing next to it.)

Limited Warranty

ONE-YEAR LIMITED WARRANTY

Within the 48 contiguous United States, for one year from the date of purchase, when this appliance is operated and maintained according to instructions attached to or furnished with the product, warrantor will pay for factory-specified parts and repair labor to correct defects in materials or workmanship. Service must be provided by a designated service company. Outside the 48 states, all parts are warranted for one year from manufacturing defects. Plastic parts, shelves and cabinets are warranted to be manufactured to commercially acceptable standards, and are not covered from damage during handling or breakage.

5-YEAR COMPRESSOR WARRANTY

1. The compressor is covered for 5 years.
2. Replacement does not include labor.

ITEMS WARRANTOR WILL NOT PAY FOR:

1. Service calls to correct the installation of your appliance, to instruct you how to use your appliance, to replace or repair fuses or to correct wiring or plumbing.
2. Service calls to repair or replace appliance light bulbs or broken shelves. Consumable parts (such as filters) are excluded from warranty coverage.
3. Damage resulting from accident, alteration, misuse, abuse, fire, flood, acts of God, improper installation, installation not in accordance with electrical or plumbing codes, or use of products not approved by warrantor.
4. Replacement parts or repair labor costs for units operated outside the United States.
5. Repairs to parts or systems resulting from unauthorized modifications made to the appliance.
6. Expenses for travel and transportation for product service in remote locations.
7. The removal and reinstallation of your appliance if it is installed in an inaccessible location or is not installed in accordance with published installation instructions.

DISCLAIMER OF IMPLIED WARRANTIES - LIMITATION OF REMEDIES

CUSTOMER'S SOLE AND EXCLUSIVE REMEDY UNDER THIS LIMITED WARRANTY SHALL BE PRODUCT REPAIR AS PROVIDED HEREIN. IMPLIED WARRANTIES, INCLUDING WARRANTIES OF MERCHANTABILITY OR FITNESS FOR A PARTICULAR PURPOSE, ARE LIMITED TO ONE YEAR. WARRANTOR SHALL NOT BE LIABLE FOR INCIDENTAL OR CONSEQUENTIAL DAMAGES. SOME STATES DO NOT ALLOW THE EXCLUSION OR LIMITATION OF INCIDENTAL OR CONSEQUENTIAL DAMAGES, OR LIMITATIONS ON THE DURATION OF IMPLIED WARRANTIES OF MERCHANTABILITY OR FITNESS, SO THESE EXCLUSIONS OR LIMITATIONS MAY NOT APPLY TO YOU. THIS WARRANTY GIVES YOU SPECIFIC LEGAL RIGHTS AND YOU MAY ALSO HAVE OTHER RIGHTS, WHICH VARY FROM STATE TO STATE.

WARNING! This product may contain chemicals known to the state of California to cause cancer or birth defects or other reproductive harm. For more information, visit: www.summitappliance.com/prop65

Chemicals known by the manufacturer to be present in this product in concentrations higher than threshold limits: NONE.

FELIX STORCH, INC.
770 Garrison Avenue
Bronx, NY 10474
Phone: (718) 893-3900
Fax: (844) 478-8799
www.summitappliance.com



For parts and accessory ordering,
troubleshooting and helpful hints, visit:
www.summitappliance.com/support