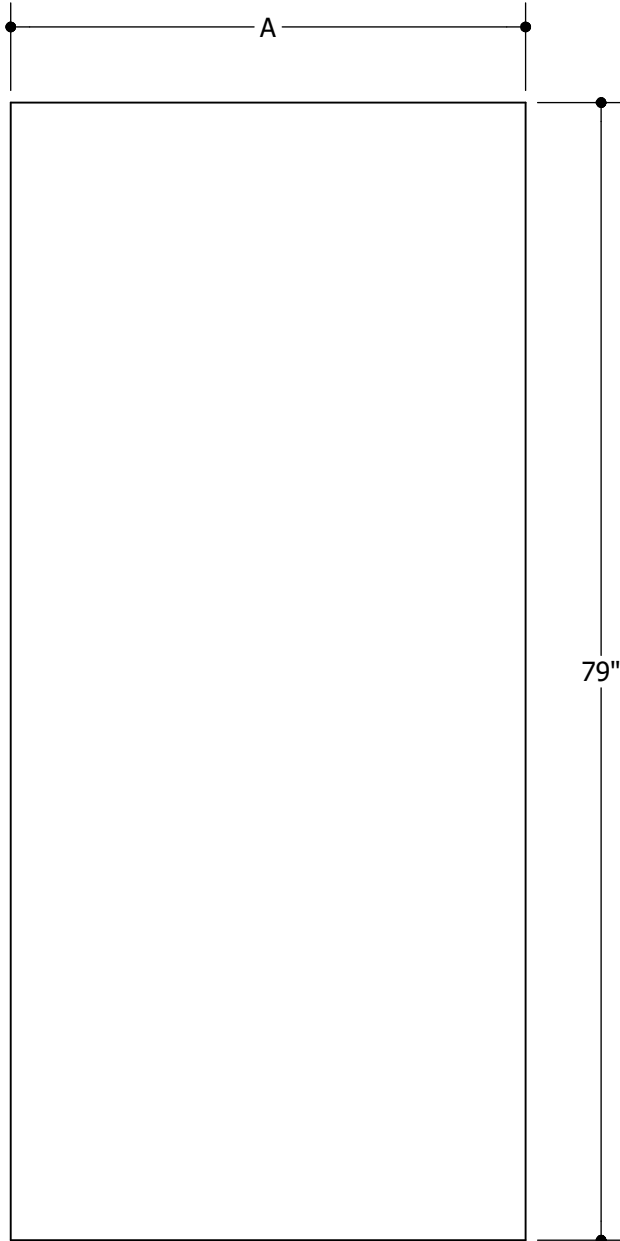


**BELLEVILLE® FLUSH SMOOTH 6'8"-7'0"**  
MASONITE™ SPEC



6'8"	A	23-3/4"	2'0"
6'8"	A	29-3/4"	2'6"
6'8"	A	31-3/4"	2'8"
6'8"	A	33-3/4"	2'10"
6'8"	A	35-3/4"	3'0"

**Options:**  
AVAILABLE IN STORM GUARD®

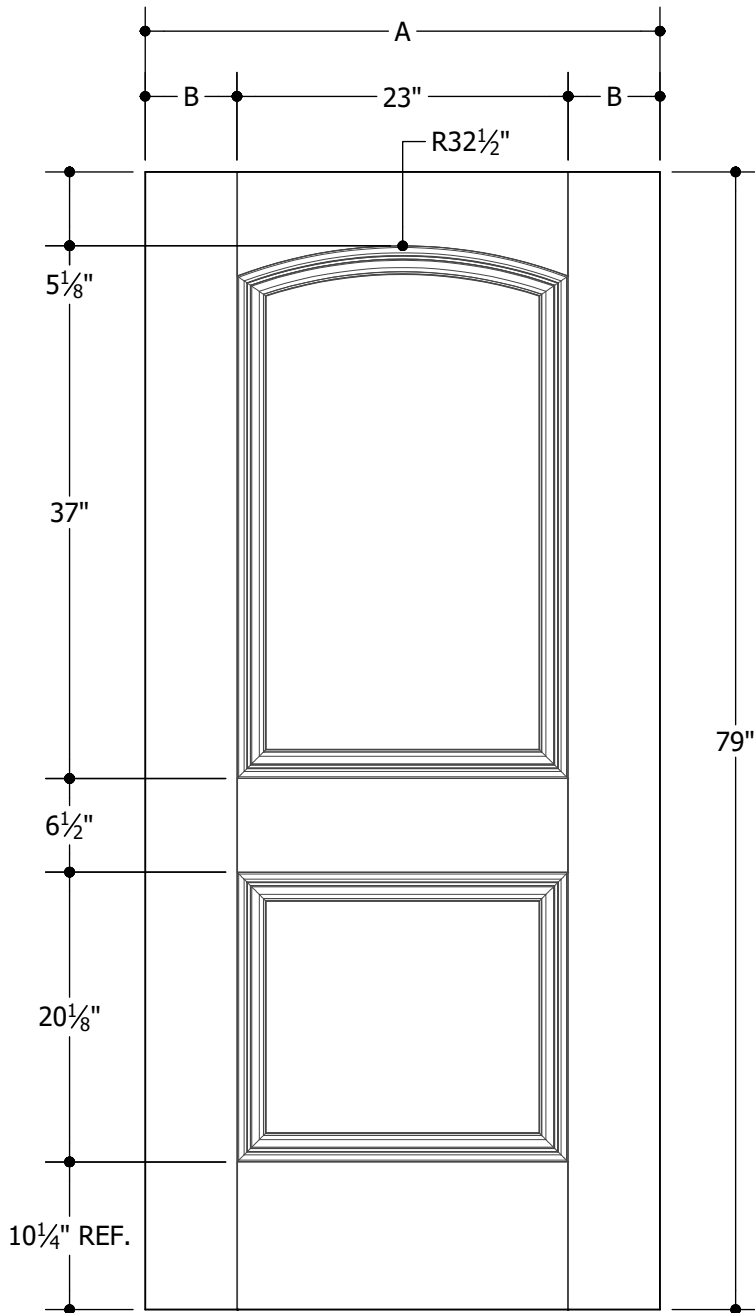
**Note:**  
Overall Length and Width Dimensions are +/- 1/16 inch  
1. Available as 83" length.

\*Available as Prem Spec  
[www.masonite.com](http://www.masonite.com)

© 2017 Masonite International Corporation. All Rights Reserved.  
Our continuing program of product improvement makes specifications, design and product detail subject to change without notice.

Filename: TM-BEL-FL-SM-68 001  
Revision: B  
Date: 9-28-18  
Section XX XX.X.X

**BELLEVILLE® 2-PANEL ROMAN SMOOTH 6'8"**  
MASONITE™ SPEC



6'8"	A	31-3/4"	2'8"
	B	4-3/8"	
6'8"	A	33-3/4"	2'10"
	B	5-3/8"	
6'8"	A	35-3/4"	3'0"
	B	6-3/8"	

**Options:**  
AVAILABLE IN STORM GUARD®

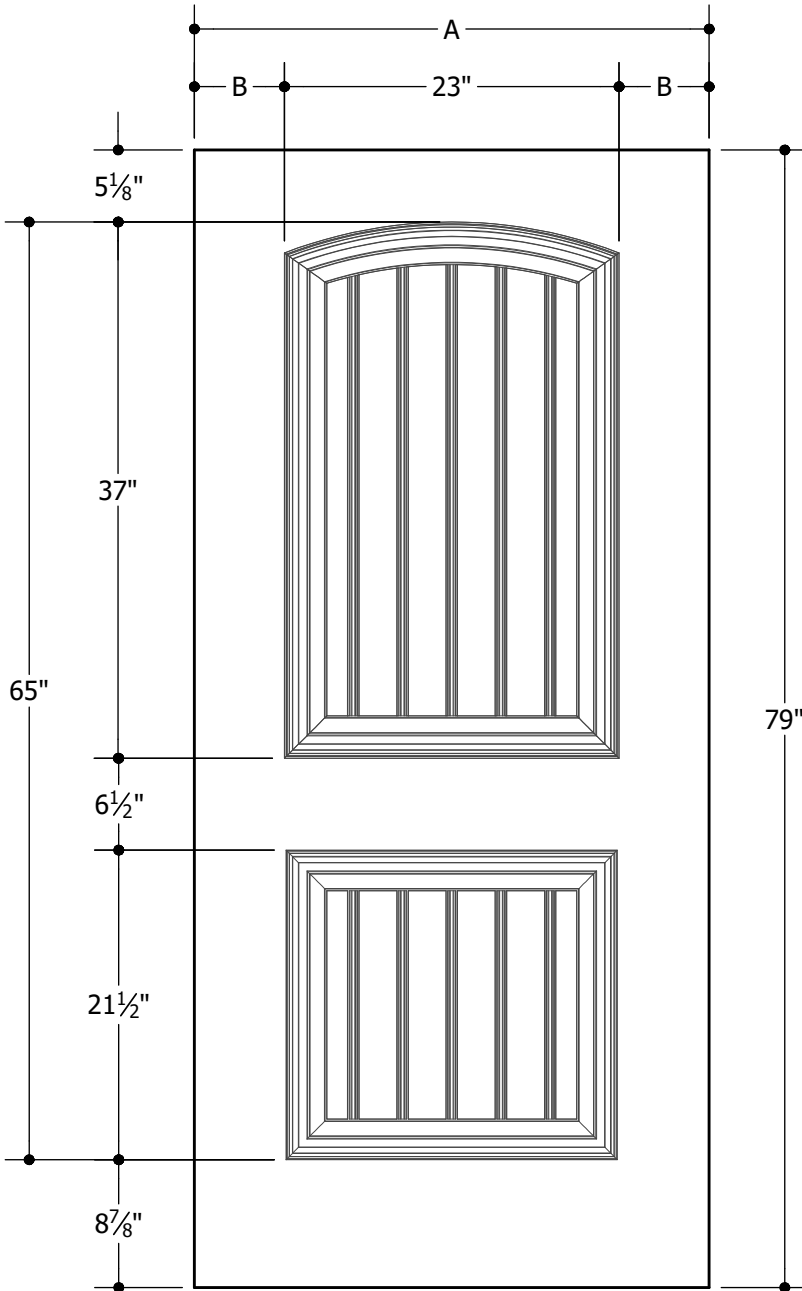
**Note:**  
Overall Length and Width Dimensions are +/- 1/16 inch

\*Available as Prem Spec  
[www.masonite.com](http://www.masonite.com)

© 2017 Masonite International Corporation. All Rights Reserved.  
Our continuing program of product improvement makes specifications, design and product detail subject to change without notice.

Filename: TM-BEL-2P RMN-SM-68 002  
Revision: A  
Date: 12-28-2016  
Section XX XX.X.X

**BELLEVILLE® 2-PANEL CHEYENNE PLANK SMOOTH 6'8"**  
MASONITE™ SPEC\*



6'8"	A	31-3/4"	2'8"
	B	4-3/8"	
6'8"	A	33-3/4"	2'10"
	B	5-3/8"	
6'8"	A	35-3/4"	3'0"
	B	6-3/8"	

**Options:**  
BELLEVILLE® WOOD-GRAIN FIBERGLASS DOOR

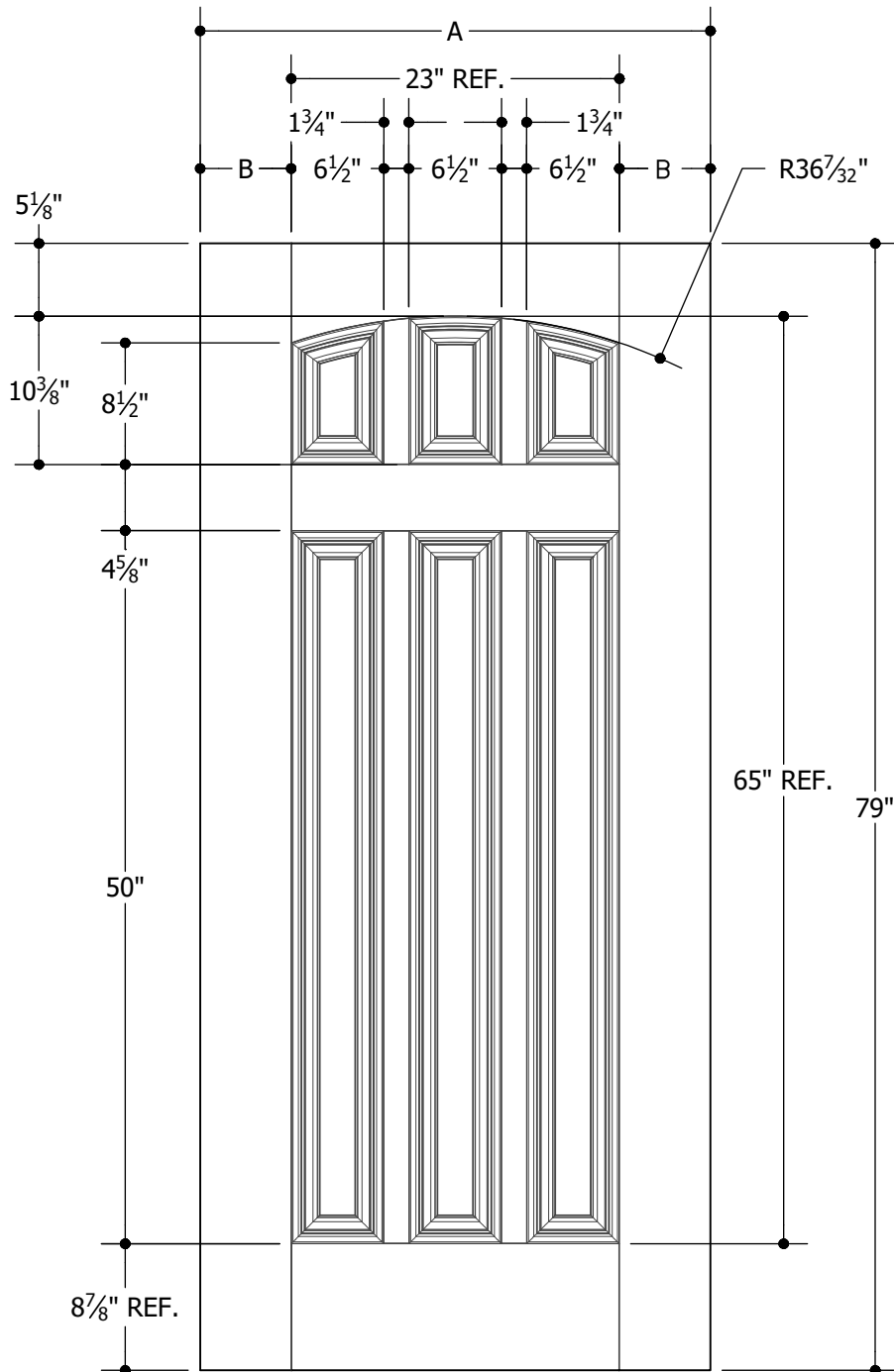
**Note:**  
1. Overall Length and Width Dimensions are +/- 1/16 inch

\*Available as Prem Spec  
[www.masonite.com](http://www.masonite.com)

© 2017 Masonite International Corporation. All Rights Reserved.  
Our continuing program of product improvement makes specifications, design and product detail subject to change without notice.

Filename: TM-BEL-2P PLNK-SM-68 013  
Revision: B  
Date: 9-28-18  
Section XX XX.X.X

**BELLEVILLE® 6-PANEL CAMBER TOP SMOOTH 6'8"**  
MASONITE™ SPEC



6'8"	A	31-3/4"	2'8"
	B	4-3/8"	
6'8"	A	33-3/4"	2'10"
	B	5-3/8"	
6'8"	A	35-3/4"	3'0"
	B	6-3/8"	

**Note:**

Overall Length and Width Dimensions are +/- 1/16 inch

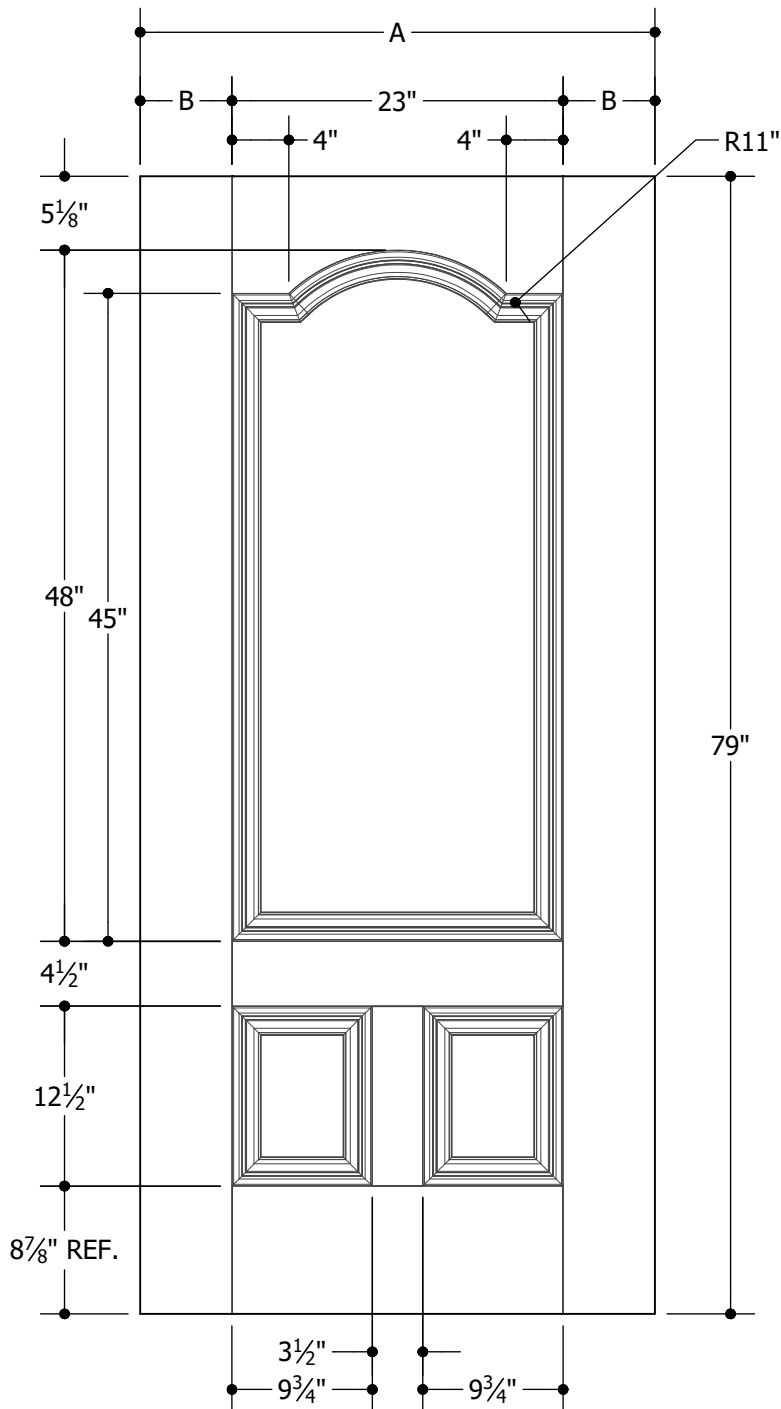
\*Available as Prem Spec  
[www.masonite.com](http://www.masonite.com)

© 2017 Masonite International Corporation. All Rights Reserved.

Our continuing program of product improvement makes specifications, design and product detail subject to change without notice.

Filename: TM-BEL-6P CMBR TP-SM-68 003  
Revision: A  
Date: 12-29-2016  
Section XX XX.X.X

**BELLEVILLE® 3-PANEL ARCH TOP SMOOTH 6'8"**  
MASONITE™ SPEC



6'8"	A	31-3/4"	2'8"
	B	4-3/8"	
6'8"	A	33-3/4"	2'10"
	B	5-3/8"	
6'8"	A	35-3/4"	3'0"
	B	6-3/8"	

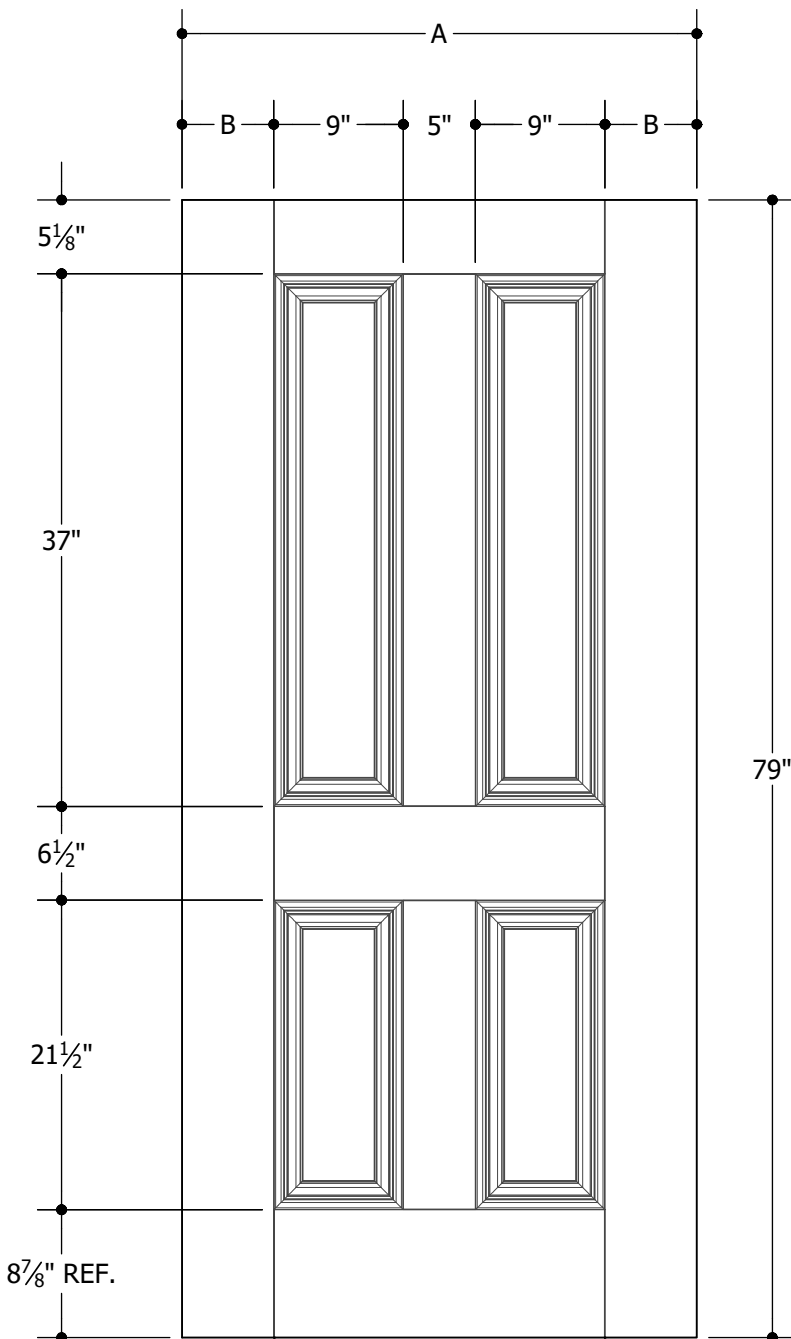
**Note:**  
Overall Length and Width Dimensions are +/- 1/16 inch

\*Available as Prem Spec  
[www.masonite.com](http://www.masonite.com)

© 2017 Masonite International Corporation. All Rights Reserved.  
Our continuing program of product improvement makes specifications, design and product detail subject to change without notice.

Filename: TM-BEL-3P ARCH TP-SM-68 004  
Revision: A  
Date: 12-29-2016  
Section XX XX.X.X

**BELLEVILLE® 4-PANEL NEW ENGLAND SMOOTH 6'8"**  
MASONITE™ SPEC



6'8"	A	31-3/4"	2'8"
	B	4-3/8"	
6'8"	A	33-3/4"	2'10"
	B	5-3/8"	
6'8"	A	35-3/4"	3'0"
	B	6-3/8"	

**Note:**

Overall Length and Width Dimensions are +/- 1/16 inch

\*Available as Prem Spec  
[www.masonite.com](http://www.masonite.com)

© 2017 Masonite International Corporation. All Rights Reserved.

Our continuing program of product improvement makes specifications, design and product detail subject to change without notice.

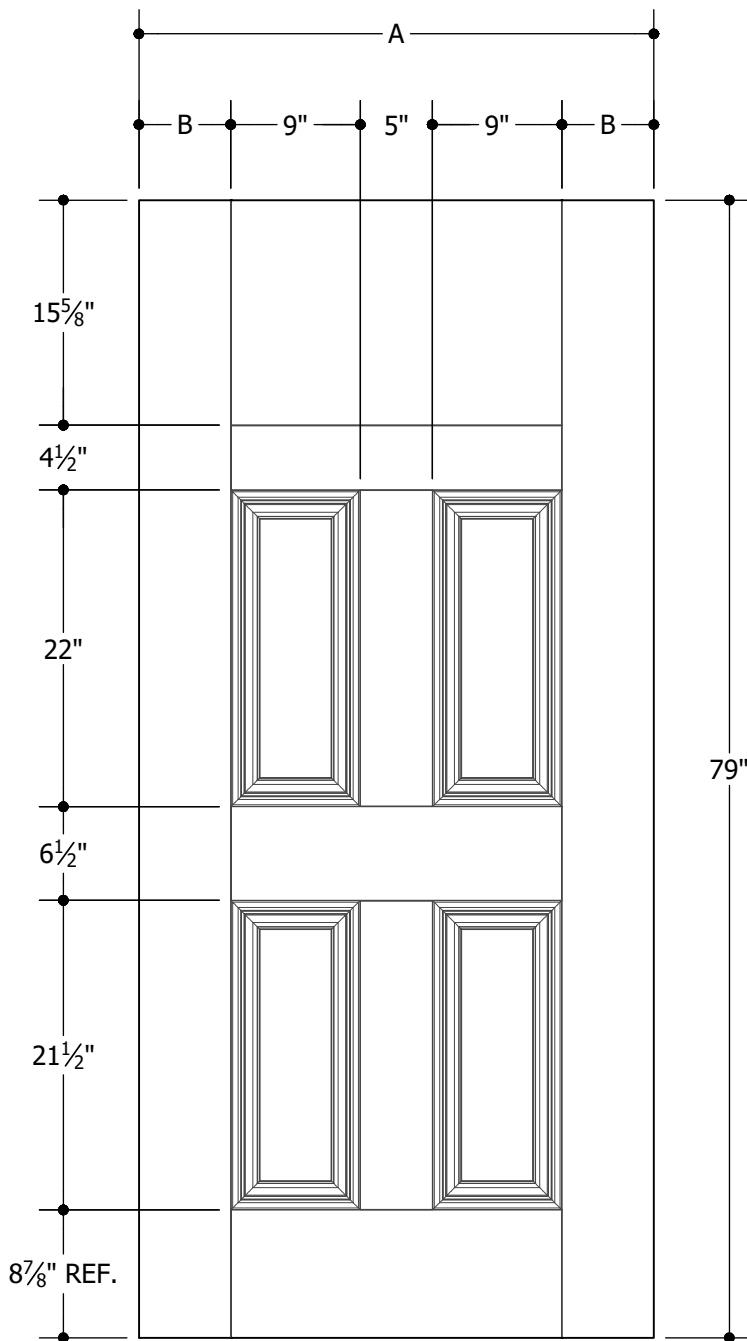
Filename: TM-BEL-4P NE-SM-68 009

Revision: A

Date: 12-28-2016

Section XX XX.X.X

**BELLEVILLE® 4-PANEL BLANK TOP SMOOTH 6'8"**  
MASONITE™ SPEC



6'8"	A	31-3/4"	2'8"
	B	4-3/8"	
6'8"	A	33-3/4"	2'10"
	B	5-3/8"	
6'8"	A	35-3/4"	3'0"
	B	6-3/8"	

**Options:**  
AVAILABLE IN STORM GUARD®

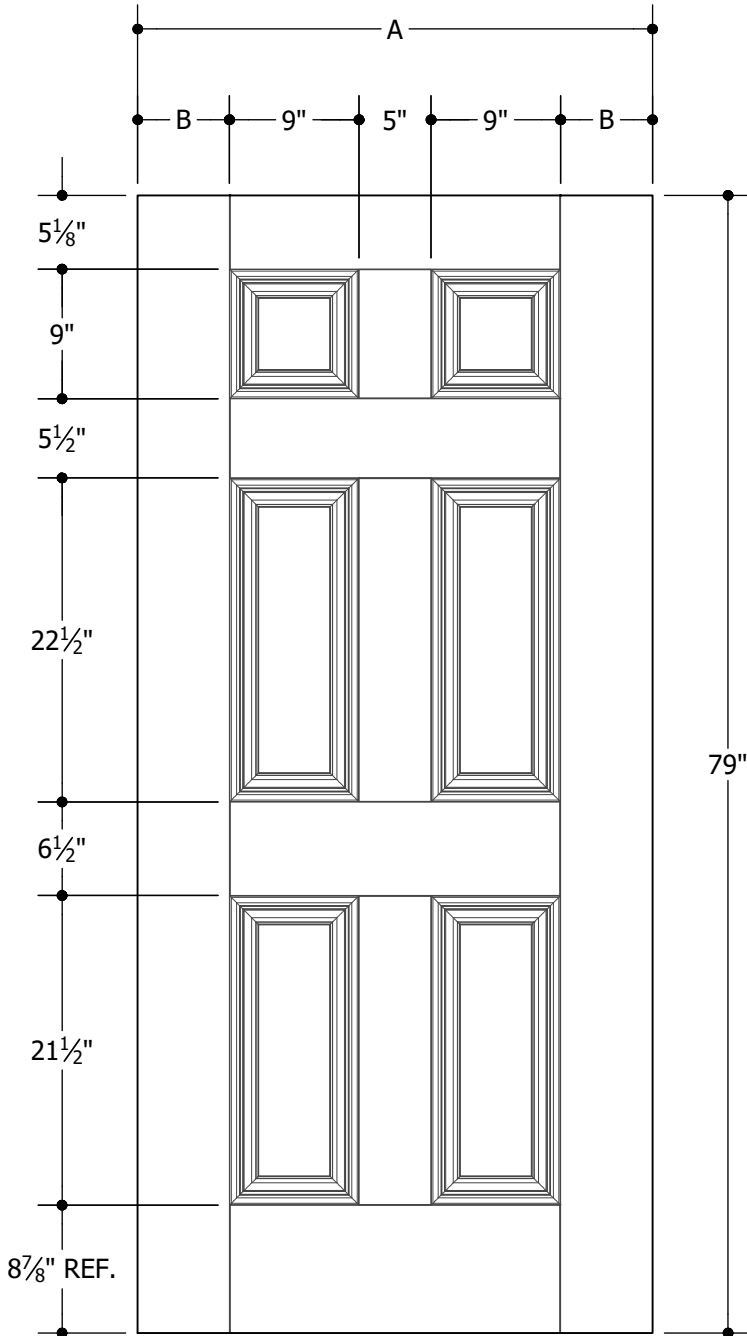
**Note:**  
Overall Length and Width Dimensions are +/- 1/16 inch

\*Available as Prem Spec  
[www.masonite.com](http://www.masonite.com)

© 2017 Masonite International Corporation. All Rights Reserved.  
Our continuing program of product improvement makes specifications, design and product detail subject to change without notice.

Filename: TM-BEL-4P BLNK TP-SM-68 006  
Revision: A  
Date: 12-28-2016  
Section XX XX.X.X

**BELLEVILLE® 6-PANEL SMOOTH 6'8"-7'0"**  
MASONITE™ SPEC



6'8"	A	31-3/4"	2'8"
	B	4-3/8"	
6'8"	A	33-3/4"	2'10"
	B	5-3/8"	
6'8"	A	35-3/4"	3'0"
	B	6-3/8"	

**Options:**  
AVAILABLE IN STORM GUARD®

**Note:**  
Overall Length and Width Dimensions are +/- 1/16 inch  
1. Available as 83" length, 5-1/8" top panel and 12-7/8" bottom panel

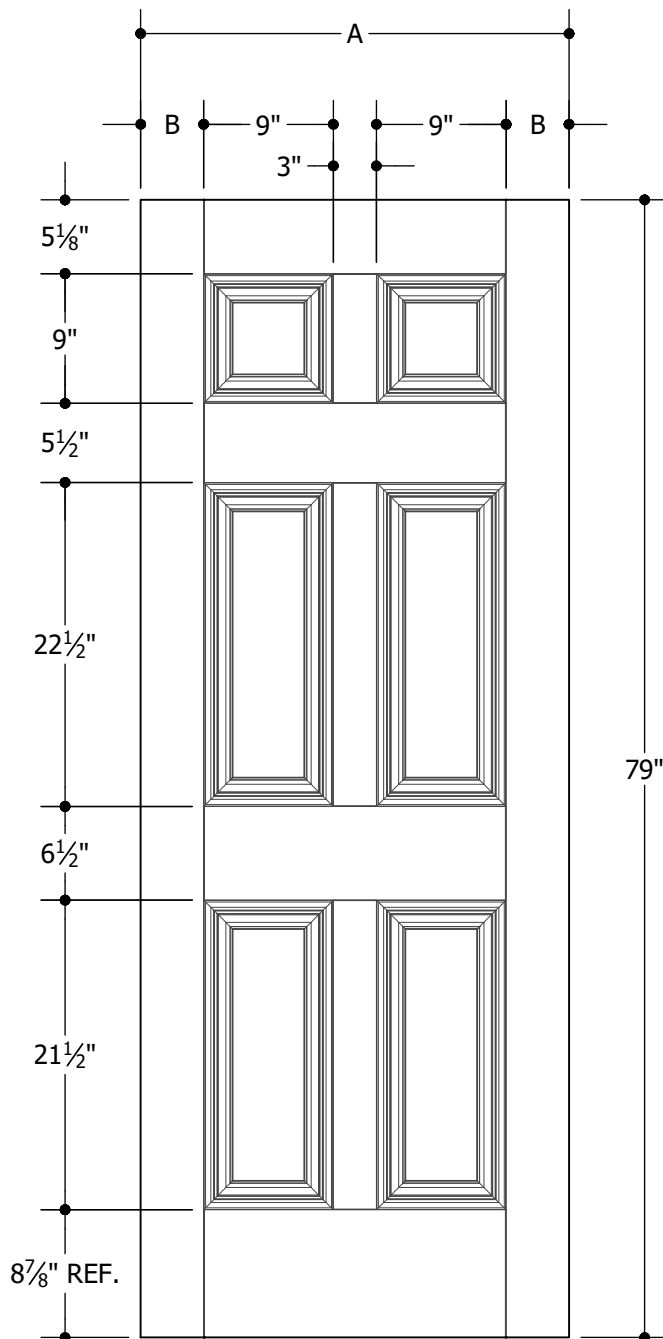
\*Available as Prem Spec  
[www.masonite.com](http://www.masonite.com)

© 2017 Masonite International Corporation. All Rights Reserved.  
Our continuing program of product improvement makes specifications, design and product detail subject to change without notice.

Filename: TM-BEL-6P-SM-68 007  
Revision: B  
Date: 9-28-18  
Section XX XX.X.X



**BELLEVILLE® 6-PANEL NARROW SMOOTH 6'8"**  
MASONITE™ SPEC



6'8"	A	29-3/4"	2'6"
	B	4-3/8"	

**Options:**  
AVAILABLE IN STORM GUARD®

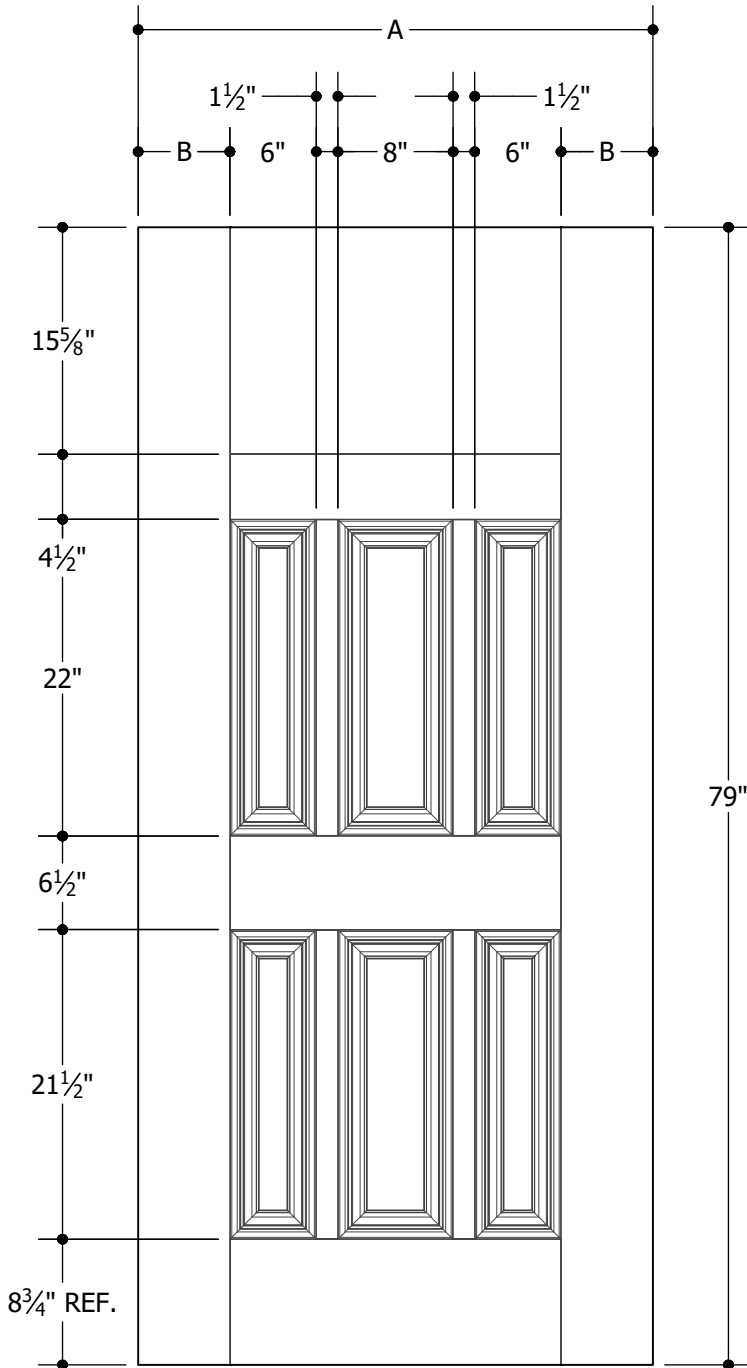
**Note:**  
Overall Length and Width Dimensions are +/- 1/16 inch

\*Available as Prem Spec  
[www.masonite.com](http://www.masonite.com)

© 2017 Masonite International Corporation. All Rights Reserved.  
Our continuing program of product improvement makes specifications, design and product detail subject to change without notice.

Filename: TM-BEL-6P NRW-SM-68 007  
Revision: A  
Date: 12-28-2016  
Section XX XX.XX

**BELLEVILLE® 6-PANEL BLANK TOP SMOOTH 6'8"**  
MASONITE™ SPEC



6'8"	A	31-3/4"	2'8"
	B	4-3/8"	
6'8"	A	33-3/4"	2'10"
	B	5-3/8"	
6'8"	A	35-3/4"	3'0"
	B	6-3/8"	

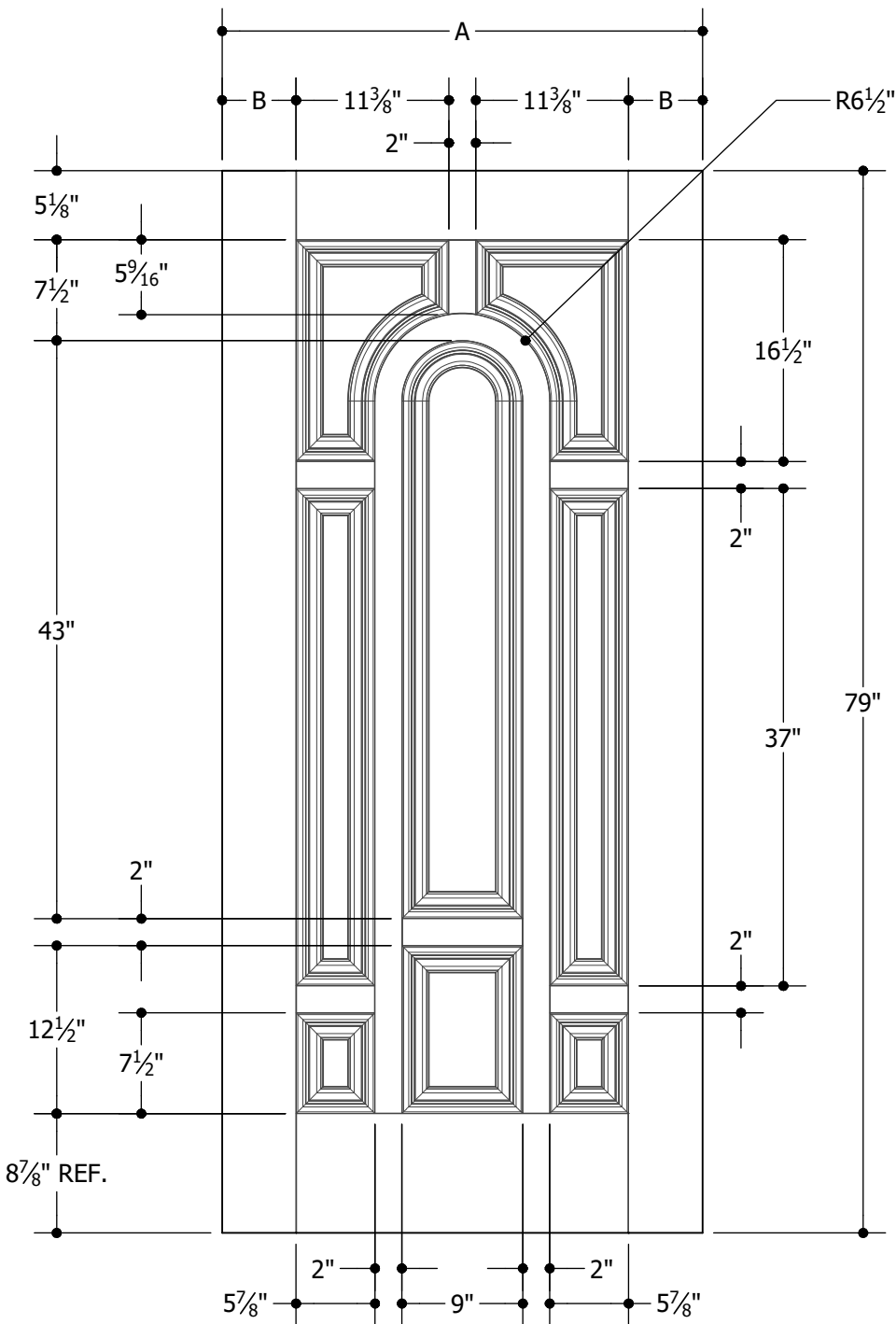
**Note:**  
Overall Length and Width Dimensions are +/- 1/16 inch

\*Available as Prem Spec  
[www.masonite.com](http://www.masonite.com)

© 2017 Masonite International Corporation. All Rights Reserved.  
Our continuing program of product improvement makes specifications, design and product detail subject to change without notice.

Filename: TM-BEL-6P BLNK TP-SM-68 008  
Revision: A  
Date: 12-29-2016  
Section XX XX.X.X

**BELLEVILLE® 8-PANEL PARLIAMENT SMOOTH 6'8"**  
MASONITE™ SPEC



6'8"	A	33-3/4"	2'10"
	B	4-1/2"	
6'8"	A	35-3/4"	3'0"
	B	5-1/2"	

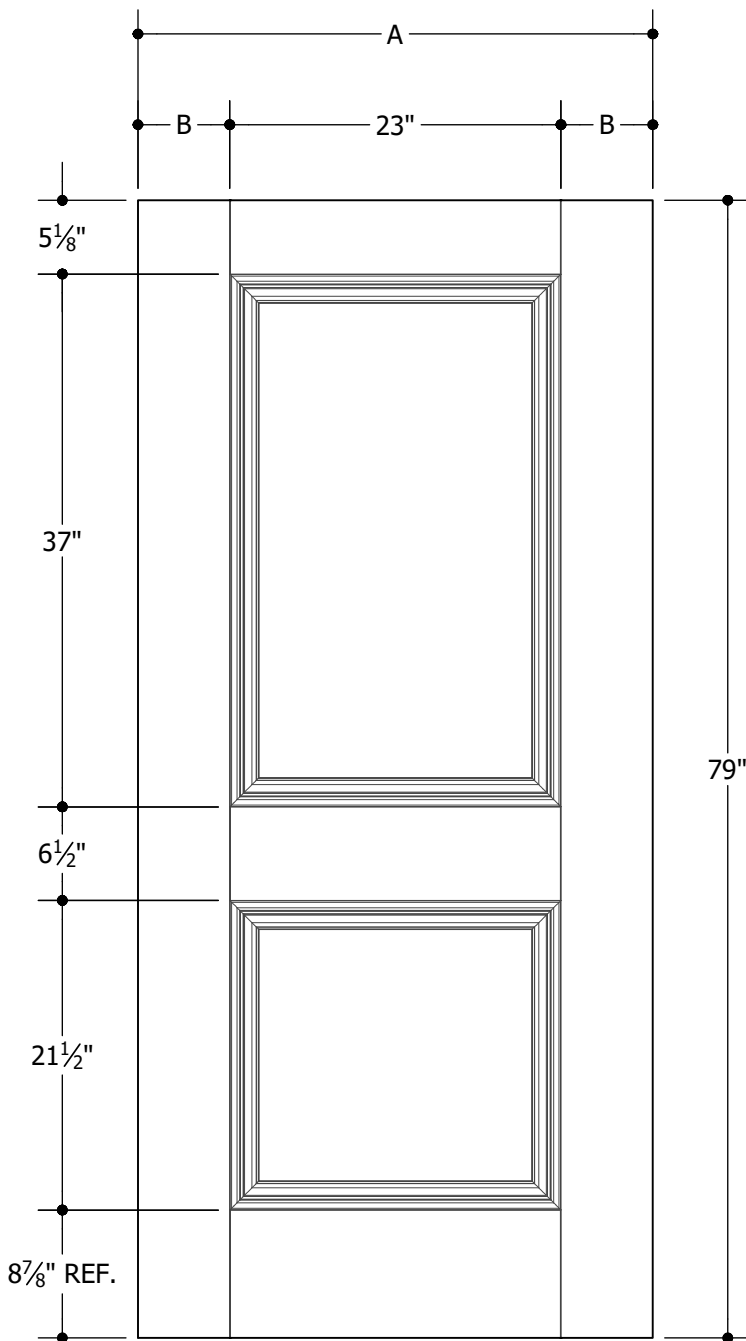
**Note:**  
Overall Length and Width Dimensions are +/- 1/16 inch

\*Available as Prem Spec  
[www.masonite.com](http://www.masonite.com)

© 2017 Masonite International Corporation. All Rights Reserved.  
Our continuing program of product improvement makes specifications, design and product detail subject to change without notice.

Filename: TM-BEL-8P PLMT-SM-68 009  
Revision: A  
Date: 12-27-2016  
Section XX XX.X.X

**BELLEVILLE® 2-PANEL SQUARE-TOP SMOOTH 6'8"**  
MASONITE™ SPEC



6'8"	A	31-3/4"	2'8"
	B	4-3/8"	
6'8"	A	33-3/4"	2'10"
	B	5-3/8"	
6'8"	A	35-3/4"	3'0"
	B	6-3/8"	

**Options:**  
AVAILABLE IN STORM GUARD®

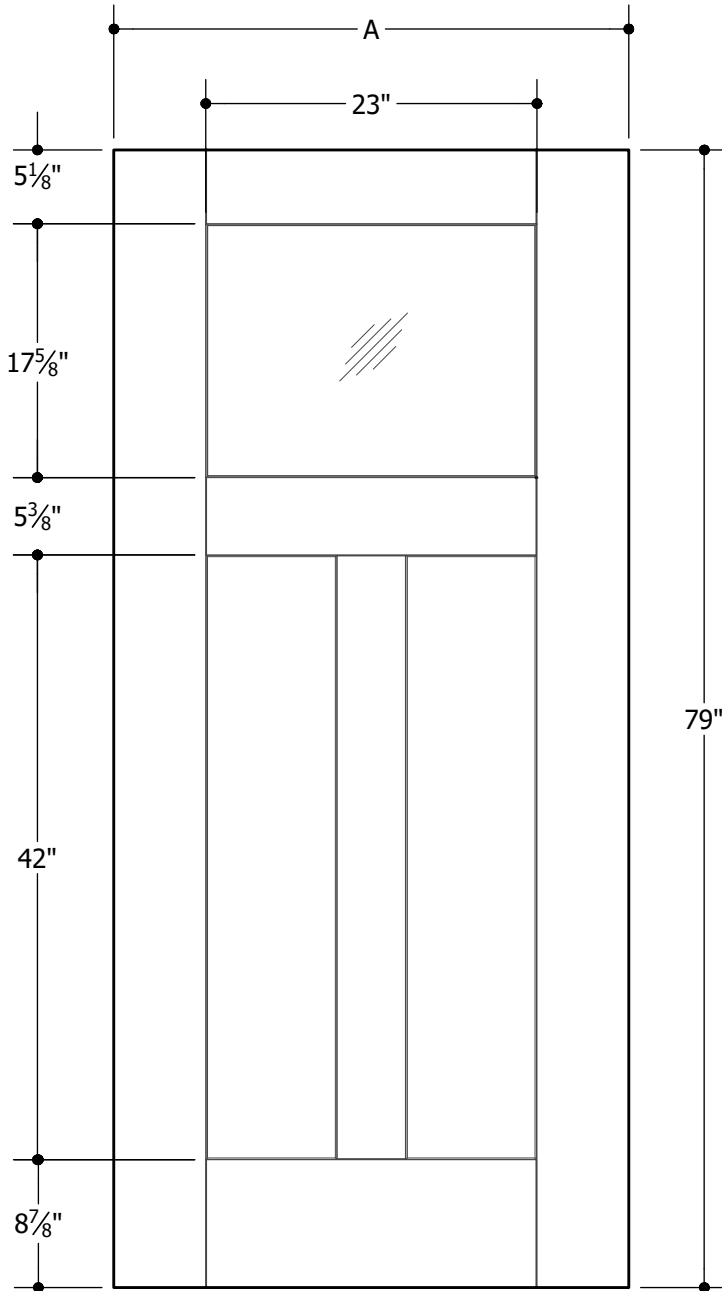
**Note:**  
Overall Length and Width Dimensions are +/- 1/16 inch

\*Available as Prem Spec  
[www.masonite.com](http://www.masonite.com)

© 2017 Masonite International Corporation. All Rights Reserved.  
Our continuing program of product improvement makes specifications, design and product detail subject to change without notice.

Filename: TM-BEL-2P SQR TP-SM-68 011  
Revision: A  
Date: 12-28-2016  
Section XX XX.XX

**BELLEVILLE® 2-PANEL CRAFTSMAN SMOOTH 6'8"**  
MASONITE™ SPEC\*



6'8"	A	31-3/4"	2'8"
6'8"	A	33-3/4"	2'10"
6'8"	A	35-3/4"	3'0"

**Options:**  
BELLEVILLE® SMOOTH FIBERGLASS DOOR

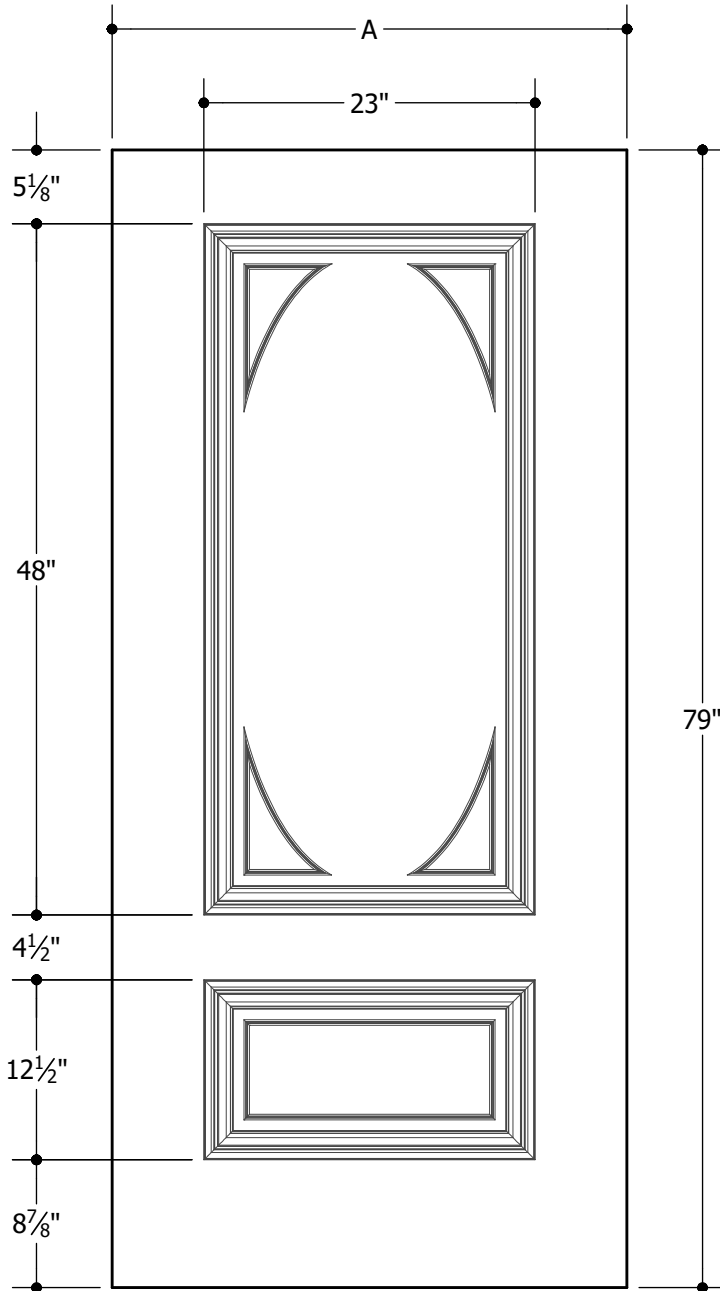
**Note:**  
1. Overall Length and Width Dimensions are +/- 1/16 inch

\*Available as Prem Spec  
[www.masonite.com](http://www.masonite.com)

© 2017 Masonite International Corporation. All Rights Reserved.  
Our continuing program of product improvement makes specifications, design and product detail subject to change without notice.

Filename: TM-2P CRFTS-SM-68 012  
Revision: A  
Date: 02-20-2017  
Section XX XX.X.X

**BELLEVILLE® 2-PANEL HOLLISTER SMOOTH 6'8"**  
MASONITE™ SPEC\*



6'8"	A	31-3/4"	2'8"
6'8"	A	33-3/4"	2'10"
6'8"	A	35-3/4"	3'0"

**Options:**  
AVAILABLE IN STORM GUARD®

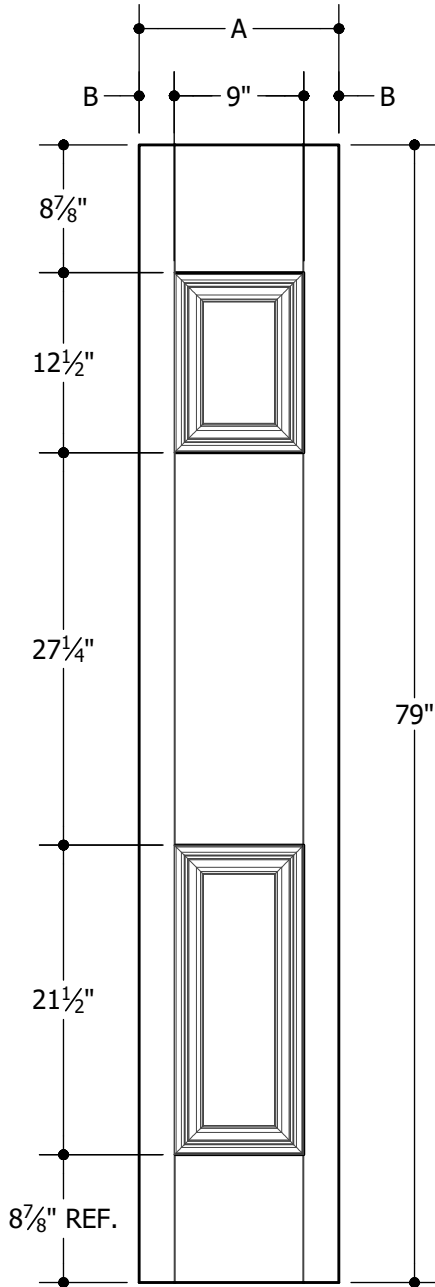
**Note:**  
1. Overall Length and Width Dimensions are +/- 1/16 inch

\*Available as Prem Spec  
[www.masonite.com](http://www.masonite.com)

© 2017 Masonite International Corporation. All Rights Reserved.  
Our continuing program of product improvement makes specifications, design and product detail subject to change without notice.

Filename: TM-BEL-2P HLSTR-SM-68 017  
Revision: A  
Date: 02-22-2017  
Section XX XX.X.X

**BELLEVILLE® 2-PANEL UNIVERSAL SMOOTH SIDELITE 6'8"**  
MASONITE™ SPEC\*



6'8"	A	11-7/8"	12"
	B	1-7/16"	
6'8"	A	13-7/8"	14"
	B	2-7/16"	

**Options:**  
AVAILABLE IN STORM GUARD®

**Note:**  
1. Overall Length and Width Dimensions are +/- 1/16 inch  
2. Flip panel for use with 3/4 lite style door.

\*Available as Prem Spec  
[www.masonite.com](http://www.masonite.com)

© 2017 Masonite International Corporation. All Rights Reserved.  
Our continuing program of product improvement makes specifications, design and product detail subject to change without notice.

Filename: TM-BEL-2P UNI SL-SM-68 023  
Revision: A  
Date: 02-22-2017  
Section XX XX.X.X