

TYPE TWO ASSEMBLY

Steps to Complete Your Faucet Install

Applicable for the following faucet series:

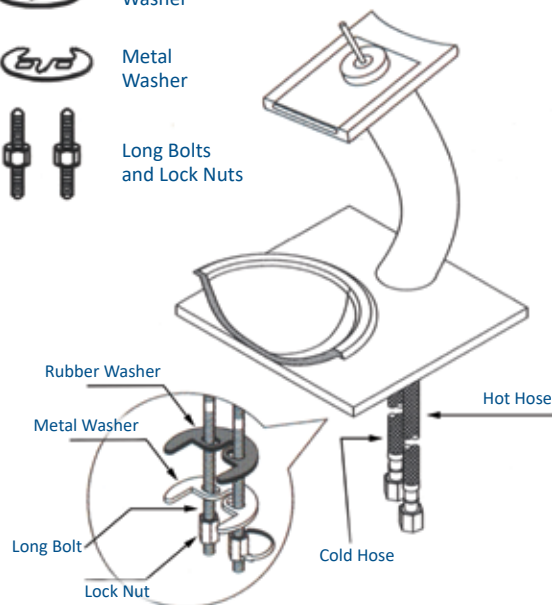
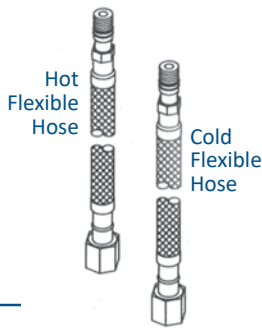
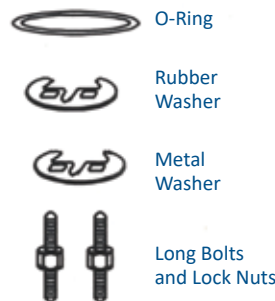
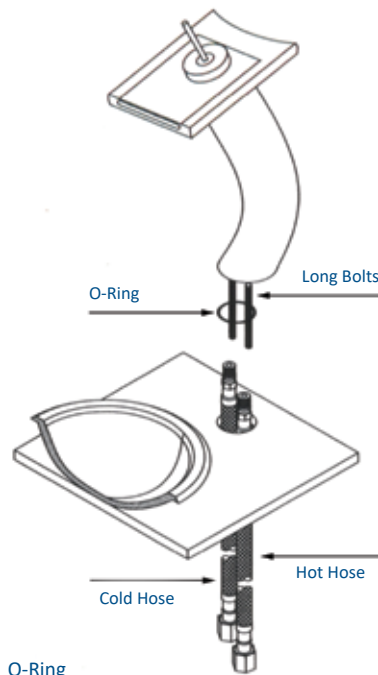
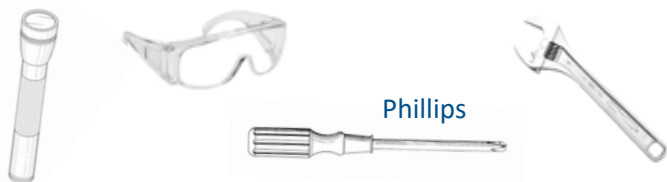
- GF-001 GF-011
- GF-002 GF-057
- GF-010 NBF-084

- **Turn the handles** on both the hot and cold water supply lines off so water will not be running through the pipes. These pipes will be located under the sink in the cabinet.
- **Fasten the two bolts** into the two threaded holes in the faucet. Make sure the O-ring is on the base of the faucet. Fasten the hot and cold flexible hoses into the water supply holes on the bottom of the faucet if necessary. Lower into the faucet hole.
- **Holding the faucet** in place at the desired position, slide the half moon rubber washer and metal washer up the bolts. Take the two lock nuts and tighten accordingly.
- **Attach the flexible hose** to the supply line source. The flexible hose on the right should be attached to the cold water supply line. The flexible hose on the left should attach to the hot water supply line. Tighten these connections accordingly.
- **With the faucet's** lever wide open, slowly turn the handles on the hot and cold water supply lines to the open position to your desired flow rate. Allow the waterfall faucet to run for a couple minutes to get rid of any air pockets in the pipes

Please Note:

- Review and abide by all building and plumbing codes
- Standard codes for Novatto faucets: cUPC/CSA/AB1953
- Novatto faucets need to be installed by a professional
- A 1.5" faucet hole is needed for installation
- Max counter thickness 2"

TOOLS NEEDED FOR ASSEMBLY (not included)



Questions, problems, missing parts? Before returning to your retailer, call our customer service department at 844.404.4242, 8:00 a.m. - 5 p.m., MT, Monday - Friday or email us at: support@novattoinc.com

TROUBLESHOOTING TIPS

Issue	Reason	Solution
Leakage under the handle	Lock nut has come loose; Ceramic cartridge may be defective	Tighten locking nut; Remove cartridge, check for cracks
Leaking from under the body	Cracked casing inside; Supply lines may be loose	New faucet needed; Tighten supply lines
Finish is changing color or is shiny	Abrasive cleaners, soaps or other factors constantly in contact with it.	Stop using abrasives; Replace parts
Water will not shut off completely	Cartridge may be defective	Remove ceramic cartridge, check for cracks