

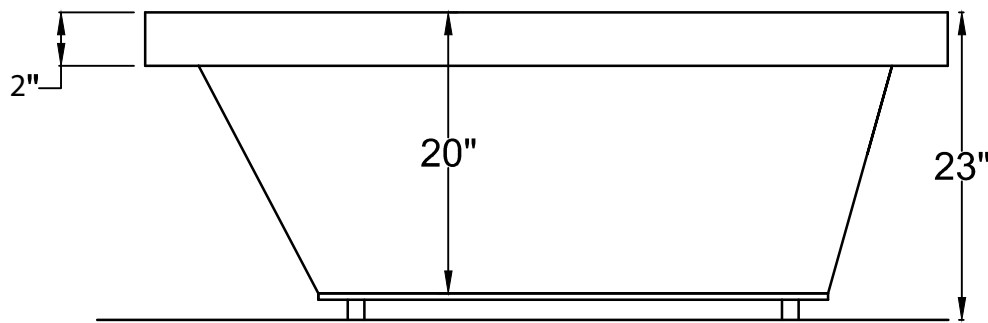
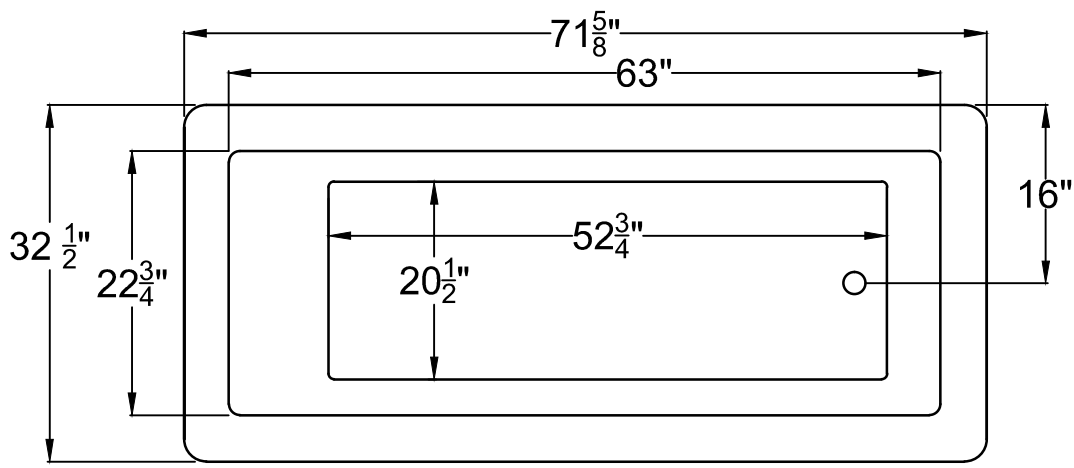
Universal tubs

your doorway to independent bathing

Thank you for choosing Universal Tubs the nationwide manufacturer of walk-in tubs, bathtubs and bathroom fixtures exclusively made for the Home Depot.



For toll-free information or to speak to a knowledgeable representative simply call **1-877-360-4454** or visit us online at **www.UniversalTubs.com** or email us at **info@UniversalTubs.com**.



3272VN

32" x 72" x 23"

Installation: Drop-in
cannot be under mounted

GENERAL SPECIFICATIONS:

Material Acrylic

Plumbed Weight : 165lbs / 75kg

Soaker Weight : 135lbs / 61kg

Average Fill: 65 gal to above jet level

ELECTRICAL SPECIFICATIONS:

Required Electrical	Service 110 Volt
Air Bath or Whirlpool	1-15 amp GFCI
Whirlpool with Inline Heater	1-20 amp GFCI
Dual Bath	1-20 amp GFCI
Soaker	

PACKAGES AND OPTIONS

Hydrotherapy Package	Package Contents	Part #
Soaker	soaking bath - no jets, textured bottom	3272VNS
Whirlpool	8point-massage jets, 1-hp pump, textured bottom	3272VNH
Air Bath	12 air jets, air blower, textured bottom	3272VNA
Dual Bath	8 point-massage jets, 1-hp pump, 12 air jets, air blower, textured bottom	3272VND

OPTIONS

Colors Available - White Biscuit

Quick Ship - reduces lead time - call for availability

Inline Heater with Pump - Whirlpool or Dual Bath

Lift & Turn Drain Kit -Chrome,Brushed Nickel, White

IMPORTANT INFORMATION

- Before ordering or installing, please consider future access to equipment.
- Add bedding compound to fully level and support bottom of tub.
- Tubs equipped with an air bath or a pre-leveled foam base are designed to rest on the floor without bedding compound, provided the floor is level.
- Please measure tub on-site before building tub decking.
- Jet, pump & blower locations are predetermined and cannot be changed.
- Suction and control locations may vary.
- Specifications and configurations are subject to change without notice.
- Measurements are +1/2" and are subject to change without notice.
- Measurements herein supersede all others published prior to publication date shown below.