

USE AND CARE GUIDE

MID CENTURY DINING TABLE



Questions, problems, missing parts?
Before returning to the store, call Customer Service.
8 a.m. - 7 p.m., EST, Monday - Friday, 9 a.m. - 6 p.m., EST, Saturday

1-877-527-0313

HOMEDEPOT.COM

THANK YOU

We appreciate the trust and confidence you have placed in StyleWell through the purchase of this Mid century dining table. We strive to continually create quality products designed to enhance your home. Visit us online to see our full line of products available for your home improvement needs. Thank you for choosing StyleWell!

Table of Contents

Table of Contents 2
Safety Information 2
Warranty 2
 1 Year Warranty 2
 What is Covered 2
 What is Not Covered 2
Pre-assembly 3
 Planning Assembly 3
 Hardware Included 3

Pre-assembly (continued) 4
 Package Contents 4
Assembly 6 *ผิดพลาด! ไม่ได้กำหนดที่คั่นหน้า*
Maintenance 6
Care and Cleaning 6

Safety Information

DANGER

- Keep small parts away from children during assembly.
- Read and follow instructions carefully.

WARNING

- Read these instructions carefully and keep in a safe place.
- TO GUARANTEE THE SAFE USE OF THIS PRODUCT, FOLLOW THE WARNINGS, GUIDELINES AND RECOMMENDATIONS IN THIS MANUAL.
- Adult assembly required.
- Small parts may present choking hazard prior to assembly.

CAUTION

- Do not use power tools to assemble your furniture. Power tools may strip or damage parts/product.
- Do not overtighten connectors (screws, bolts, etc.). Overtightening can lead to product damage.
- Be sure to check all packing materials carefully for small parts that may have come loose inside the carton during shipment. If parts are missing, contact THE HOME DEPOT to obtain any missing parts.
- DO NOT USE SUBSTITUTE PARTS.
- This product should only be used on a flat, level surface.
- Some assembly may involve attaching glass or mirrors.
- Be very careful handling the glass or mirrors, as severe injury may result if the glass or mirror breaks.
- Never handle large pieces of glass or mirrors by yourself.
- Assembly requires two people; assembly alone may cause injury.

Warranty

1 YEAR WARRANTY

WHAT IS COVERED

We guarantee this product to be free of manufacturing defects to the original purchaser for one year.

WHAT IS NOT COVERED

This warranty does not cover commercial use, acts of nature, and abusive use.

Pre-assembly

PLANNING ASSEMBLY

Before you begin assembly, locate the instructions and hardware. Take out all the parts and compare them to the diagrams below. Be sure you have all the parts and can identify them.

HARDWARE INCLUDED



NOTE: Hardware not shown to actual size.



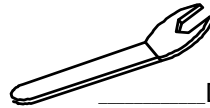
_____ AA



_____ BB



_____ CC

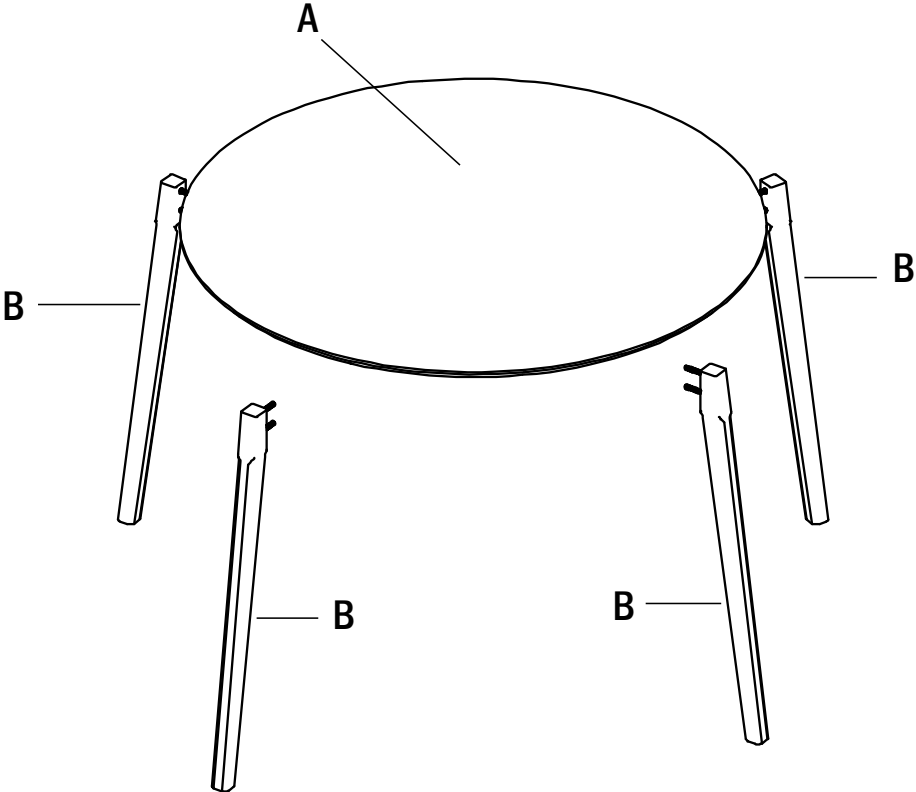


_____ DD

Part	Description	Quantity
AA	Lock Washer	8
BB	Washer	8
CC	Nut	8
DD	Wrench key	1

Pre-assembly (continued)

PACKAGE CONTENTS



Part	Description	Quantity
A	Top	1
B	Legs	4

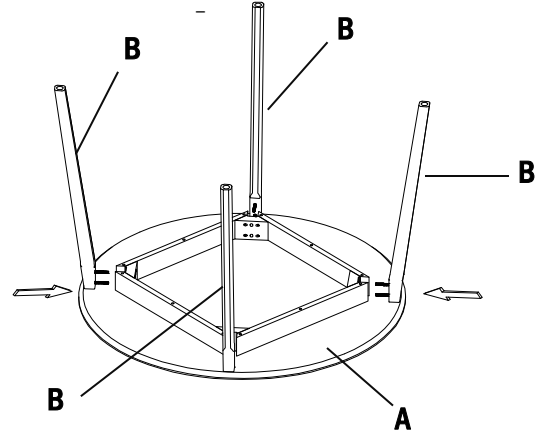
Assembly

1 Attach the leg to table top

- Flip the table top (A) upside down.
- Attach the four Leg (B) to the table top (A).

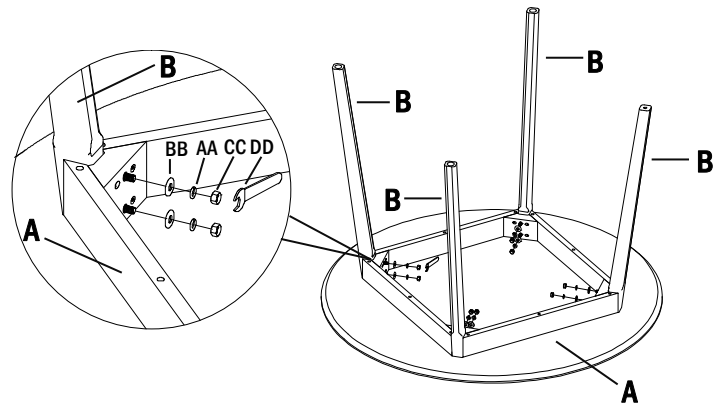


NOTE: Before placing the table top upside down on the floor, please check to make sure that there are no hard objects that will scratch or damage the table top or put packaging carton on the floor for protection.



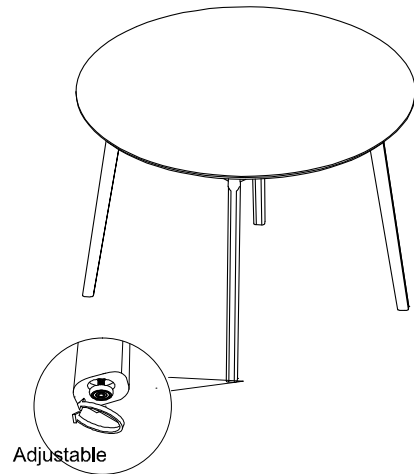
2 Securing the Legs

- Attach the four Leg (B) to the table top (A) using eight short screws (AA), eight lock washers (CC), and eight washers (DD).



3 Leveling the table

- Use the adjustable feet at the bottom of the table to level the table on an uneven floor.



Maintenance

- To ensure the safety of your furniture, regularly check all the connecting screws, bolts and hardware making sure they are tight. Care should be taken that no screws are loose.
- Screws and bolts should be tightened every four to six months to ensure furniture remains stable.

Care and Cleaning

- Always wipe your furniture with a dry cloth, after cleaning it with a damp cloth.
- If you spill any liquid, you should always wipe it off as quickly as possible.
- Always use hot pads/mats under hot and/or damp objects.
- In order to maintain the color of the wood, you should avoid direct sunlight as much as possible.
- Keep your furniture away from heaters and radiators.
- When moving your furniture do not drag, always lift and place in position.

StyleWell.TM

Questions, problems, missing parts?
Before returning to the store, call Customer Service
8 a.m. – 7 p.m., EST, Monday – Friday, 9 a.m. – 6 p.m., EST, Saturday

1-877-527-0313

HOMEDEPOT.COM

Retain this manual for future use.