



20" W x 26" H aluminum single-door medicine cabinet with mirrored door, beveled edges
K-CB-CLC2026FS



For complete listing of available colors, go to kohler.com.

Codes/Standards

None Applicable

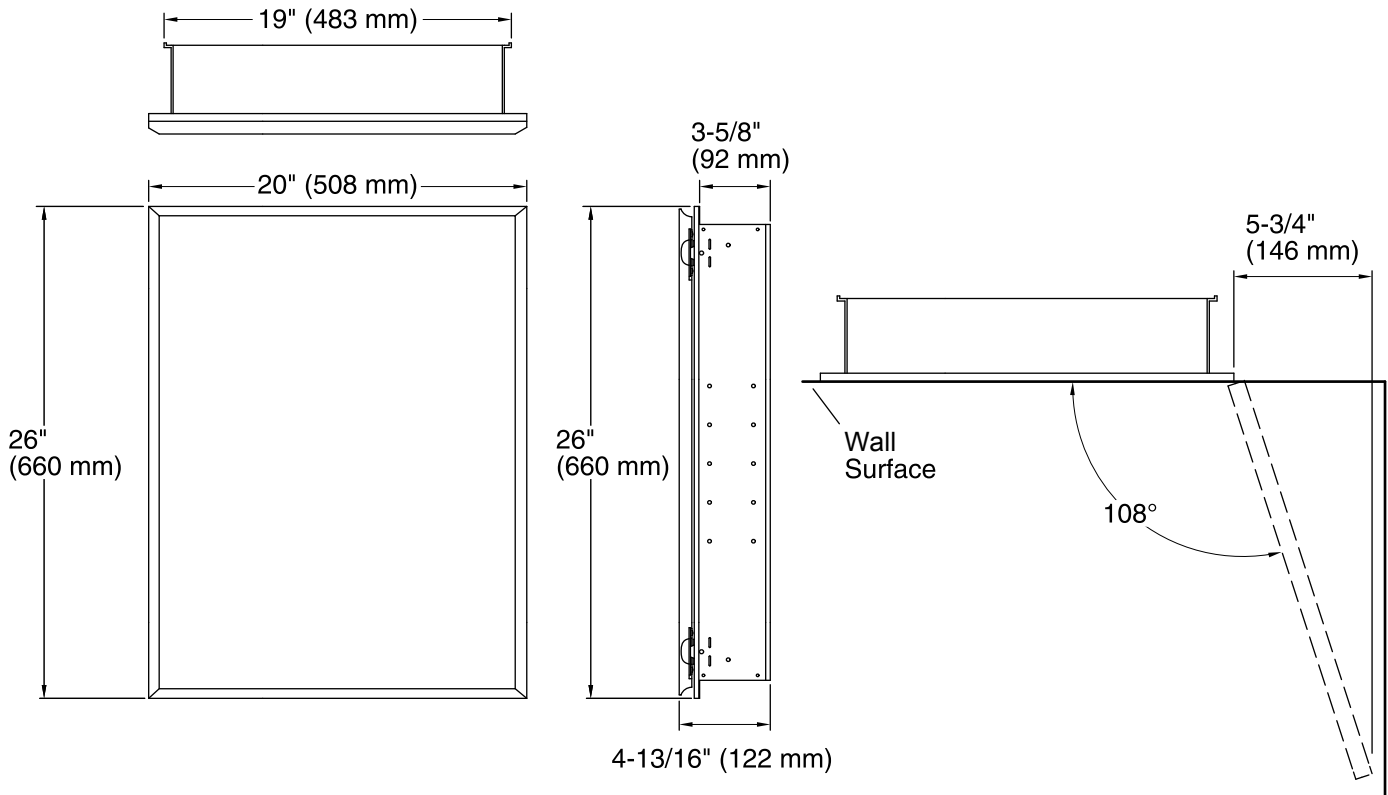
See website for detailed warranty information.

Product Specification

Mirrored cabinet shall be 20" (508 mm) in width, 26" (660 mm) in height, and 4-13/16" (122 mm) in depth. Cabinet shall be of anodized aluminum construction with a durable rust-free and chip-free finish. Cabinet shall include side mirror kit for surface-mount installation. Cabinet shall feature mirrored door with beveled edges, and mirrored interior with two adjustable glass shelves. Cabinet shall feature left-hand or right-hand door hinge option with 108-degree opening capability. Cabinet shall be for recessed or surface-mount installation. Cabinet shall be KOHLER Model K-CB-CLC2026FS.



20" W x 26" H aluminum single-door medicine cabinet with mirrored door, beveled edges
K-CB-CLC2026FS



Technical Information

All measurements are nominal.

Installation Notes

Install product according to the installation guide.

CAUTION: Risk of electric shock. Electrical wiring may need to be relocated.

IMPORTANT! For recess mounting, the wall cavity must be framed and cabinet secured to framing studs. Reroute any electrical wires or water supply piping from the wall cavity. If you encounter drain or vent piping, or if your wall is load-bearing, consult a professional before proceeding.

CAUTION: Risk of property damage. For surface mounting, use anchors (not provided) rated for the loaded weight of this product. Refer to the anchor manufacturer's instructions.

When determining the height of the cabinet, ensure the mirrored door will clear all obstacles (such as a faucet).

This cabinet is designed for either right or left door swing. Check for obstructions.