



PL1213T

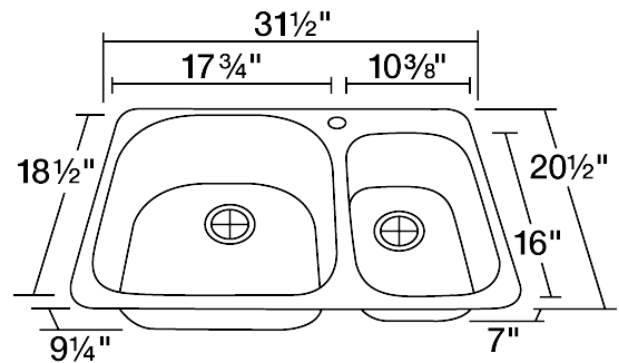
Topmount Offset Kitchen Sink

The PL1213T offset double bowl topmount sink is constructed from 304 grade stainless steel and is available in 18 gauge thickness. The surface has a brushed satin finish to help mask small scratches that occur over time and keep your sink looking beautiful for years. The overall dimensions of the PL1213T are 31 3/8" x 20 1/2" x 9 1/4" and a 33" minimum cabinet size is required. This sink contains a 3 1/2" offset drain, is fully insulated and comes with sound dampening pads. As always, our stainless steel sinks are covered under a limited lifetime warranty for as long as you own the sink.

Tech Specs

- Topmount Installation
- Certified High-Quality 304 Stainless Steel
- Brushed Satin Finish
- Offset Drain
- Thick Sound Dampener Rubber Pad
- Fully Insulated
- One-Piece Construction
- Installation Hardware Included
- Lifetime Warranty

Dimensions



Accessories Available

